

Green Book

Checker

Jaguar

Rover

Citroen

Land Rover

Saab

Dawoo

Lexus

Scion

Diahatsu

Maserati

Suzuki

Fuso

Peugeot

Toyota

International(IHC)

Rolls Royce

Volvo

Miscellaneous



Transmission Fluid Protection & Conversion Products



MULTI-VEHICLE PROTECTANT/SUPPLEMENT PT#6900

- Smart Blend TITANIUM takes the guess work out of converting ATFs because it works in all Transmission types except Ford Type F and CVT applications.
- Prevents and instantly stops torque converter shudder
- Ensures and maintains proper shifts
- Dramatically reduces wear on internal components
- Prevents overheating, foaming and oxidation
- Extends frictional stability and fluid change intervals

FULLY FORMULATED CVT FLUID PT#3100

- Suitable for use in ALL Continuously Variable Transmission (CVT) applications
- Optimized for excellent metal to metal friction performance
- Provides advanced wear protection, anti-shudder performance and oxidation stability
- Excellent low temperature fluidity for proper operation in cold weather conditions



ATF PROTECTANT PT#4001

- Prevents & Instantly Eliminates Torque Converter Lock-Up Shudder
- Prevents Overheating and Oxidation
- Keeps Valves & Governors Free
- Protects and Coats Gears & Pumps
- Extends Fluid Life

Also Available in a 2-Step Clean & Protect Kit PT#4.3005



HIGHLY FRICTION MODIFIED (HFM) SUPPLEMENT PT#6001

- Eliminates the Need for Multiple OEM Fluids
- Big Profit Increase, Saves Money \$\$\$
- Prevents Overheating & Fluid Oxidation
- Keeps Valves & Governors Free
- Softens Hard Shifting & Extends Fluid Life
- Prevents Torque Converter Lock Up Shudder



FLUID FLUSH PT#4200

- Safely Removes Light Varnish and Other Deposits
- Prepares Transmission for New Fluid
- Cleans All Internal Transmission Components
- Contains No Alcohol or Damaging Chemicals (Totally Safe)

M-V SUPPLEMENT PT#6500

- Converts Dexron III®/Mercon® Automatic Transmission Fluid (ATF) into a Mercon V® Type Fluid.
- Saves Time & Money, Eliminates the Need to Stock Mercon V® Fluid.
- Prevents Torque Converter Lock-Up Shudder.
- Improves Low Temperature Shifting.
- Extends Frictional Stability and Life of the Fluid.



SHUDDER ELIMINATOR PT#3800

- Instantly Eliminates Torque Converter Shudder
- Restores Key Friction Modifiers Lost Due to Heat and Excessive Mileage



D-VI SUPPLEMENT PT#6700

- Converts Dexron III®/Mercon® Automatic Transmission Fluid (ATF) into a Highly Stable Fluid such as DEXRON VI®.
- Saves Time & Money. Only Need to Stock Dexron III®/Mercon® Fluid
- STOPS Torque Converter Shudder Instantly
- Extends Frictional Stability and Fluid Life.
- Creates Longer Service Intervals.
- Softens Hard Shifts.

CONTENT INDEX

TRANSMISSION	TYPE		SERIES	PAGE
A55	3 SPD	FWD/AWD	62000	2
A130•A131L•A132L	3 SPD	FWD	75000B	6
MX17	3 SPD	FWD	75000M	10
Honda 3-Speed	3 SPD	FWD	50000C	14
A140E•A141E	4 SPD	FWD	75000/E	16
A540E•A541E	4 SPD	FWD	75000D	20
A240•A241E•242E•A243E•A244E	4 SPD	FWD/4x4	75000A	24
A245E•A246E•A247E	4 SPD	FWD	75000F	28
U140E•F•U240E•U241E	4 SPD	FWD/4x4	74000/A	32
U340E•U341E•F•MU5	4 SPD	FWD/AWD	95237-	38
AW50-40•AW50-42LE	4 SPD	FWD/AWD	97248-	44
AW60-40LE•41SN•AF13•17-AS17-4	4 SPD	FWD	93234-	50
AW80•81-40LE•U440•41E•TF80•81-40LE	4 SPD	FWD	10156-	56
ZF4HP14	4 SPD	FWD	82000	60
ZF4HP18Q	4 SPD	FWD	86000	62
TH440-T4•4T60•E•4T65E	4 SPD	FWD/AWD	66000/B	64
4T40E•4T45E	4 SPD	FWD	59000	76
U150E•F•U151E	5 SPD	FWD/AWD	95243-	82
U250E	5 SPD	FWD/AWD	95244-	88
JF506E•JA5A-EL•RE5F01A	5 SPD	FWD/AWD	75221-	94
AW55-50SN•AF33-5•AF23-5•RE5F22A•AW235	5 SPD	FWD/AWD	97249-	100
U660E	6 SPD	FWD/AWD	95245-	104
ZF6HP26A•09E	6 SPD	FWD/AWD	40280-	108
TF-81SC•AF21•AW6A-EL•AM6	6 SPD	FWD/AWD	75250-	112
TF-80-SC•AF40-6•AF40	6 SPD	FWD/AWD	97251-	118
P112-ECVT	CVT	FWD	95242-	122
JF011E	CVT	AWD	82230-	126
A10	2 SPD	RWD	42000	130
A20	2 SPD	RWD	43000	132
A30	3 SPD	RWD	44000	134
A40•41•42•AW70•71•A44D•DL•DE•A46DE	3/4 SPD	RWD/4x4	46000/A/D/E/F/G/J/K	136
FMX•CW•BW8•BW12•R12	3 SPD	RWD	600M/N/V/W	140
BW35•T35•BW35TB•37TB•BW65•66	3 SPD	RWD	19000/47000/58000	144
TH200•C	3 SPD	RWD	32000	148
TH400•3L80•375•425	3 SPD	RWD/4x4	34000D/B	154
A727•TF8	3 SPD	RWD/4x4	22000/E	160
ZF3HP12•20	3 SPD	RWD	56000	166
ZF3HP22	3 SPD	RWD	56000A	168
A340•A341E•A343E•A350•AW30-40LE	4 SPD	RWD/4x4	54000/J/X/W	170
A440F•A442F	4 SPD	RWD/4x4	77000/B	176
JR403E•RG4R01A	4 SPD	RWD	33000	180
ZF4HP22•24-A	4 SPD	RWD/AWD	56000D/E/M	184
TH180•C•4L30-E	4 SPD	RWD/4x4	41000/E	188
TH200-4R	4 SPD	RWD	32000M	194
4L80E•4L85E	4 SPD	RWD/4x4	34000E	214
TH700-R4•4L60•E•65E•70E•75E	4 SPD	RWD/4x4	61000/E	200
AT540•AT545	4 SPD	RWD	11000	222
A650E	5 SPD	RWD	74236-	226
A750E•F	5 SPD	RWD/4X4	95238-	232
ZF5HP24•A•ZF5HP22	5 SPD	AWD/4x4	56000G/J	238
ZF5HP30	5 SPD	RWD	56000H	240
5R55N•W•S	5 SPD	RWD/4x4	17000/A	242
A760E•F•A761E•F•H	6 SPD	RWD/AWD	74239-	248
A960E	6 SPD	RWD	74218-	254

INDEX

VEHICLE TO TRANSMISSION INDEX

MODEL NAME	ENGINE	YEAR	TRANSMISSION	PAGE
CHECKER				
Checker	various	75-90	TH400•3L80•375•425	154
Checker-cast iron Ford	various	59-74	FMX•CW•BW8•BW12•R12	140
CITROEN				
BX	various	86-92	ZF4HP14	60
CX	various	84-92	ZF3HP22	168
MX	various	91-92	ZF4HP18Q	62
DAEWOO				
Lacetti	L/4 1.4L/1.6L/1.8L	04-06	AW80•81-40LE•U440•41E•TF80•81-40LE	56
Lanos	various	97-01	4T40E•4T45E	76
Leganza	various	96-97	ZF4HP14	60
Leganza	various	99-03	AW50-40•AW50-42LE	44
Nubira	various	96-97	ZF4HP14	60
Nubira	various	97-03	4T40E•4T45E	76
DAIHATSU				
3.6L FLI	V/6 3.6L	89-02	ZF4HP22•24-A	184
Applause	various	90-98	A140E•A141E	16
Be-go	L/4 1.5L	06-08	A4LB-1	271
Charade	various	88-92	MX17	10
Charade	various	93-05	AW60-40LE•41SN•AF13•17-AS17-4	50
Charmant	various	78-82	A40•41•42•AW70•71•A44D•DL•DE•A46DE	136
Double Six	V/8 5.3L	72-73	FMX•CW•BW8•BW12•R12	140
Double Six	5.3L	77-92	TH400•3L80•375•425	154
Limo	4.2L	70-79	FMX•CW•BW8•BW12•R12	140
Limo	4.2L	79-92	TH400•3L80•375•425	154
Rocky	various	89-92	MX17	10
Sirion	L/4 1.3L	01-08	A4LB-1	271
Sovereign	4.2L	66-69	FMX•CW•BW8•BW12•R12	140
Sovereign	2.8L	69-73	FMX•CW•BW8•BW12•R12	140
Sovereign	2.5L	75-86	BW35•T35•BW35TB•37TB•BW65•66	144
Taruna	L/4 1.3L	02-08	A4LB-1	271
Terios	L/4 1.3L	02-08	A4LB-1	271
V8	various	62-69	BW35•T35•BW35TB•37TB•BW65•66	144
FUSO				
Truck FG, FE, FH, FK	diesel	88-98	JR403E•RG4R01A	180
INTERNATIONAL HARVESTER (IHC)				
International Truck some	various	59-71	FMX•CW•BW8•BW12•R12	140
International Truck some	various	71-99	AT540•AT545	222
International Truck some	various	72-01	A727•TF8	160
JAGUAR				
E Series	L/6 4.2L	64-74	FMX•CW•BW8•BW12•R12	140
MK10, 420G, XJG,	L/6 4.2L	64-70	FMX•CW•BW8•BW12•R12	140
Vanden Plas	V/8 4.0L	98-02	ZF5HP24•A•ZF5HP22	238
Vanden Plas	V/8 4.2L	04-06	ZF6HP26A•09E	108
Various Models	various	82-87	TH200•C	148
X Type	V/6 2.0L/2.5L/3.0L	02-10	JF506E•JA5A-EL•RE5F01A	94
X Type	L/4 2.2L	08-10	TF-80-SC•AF40-6•AF40	118
XJ Series	V/8 4.0L	02-04	ZF6HP26A•09E	108
XJ Series	V/8 4.0L	03-03	ZF5HP24•A•ZF5HP22	238
XJ-SC	various	86-87	TH400•3L80•375•425	154
XJ6	V/8 4.2L	64-74	FMX•CW•BW8•BW12•R12	140
XJ6	various	68-73	BW35•T35•BW35TB•37TB•BW65•66	144
XJ6	L/6 4.2L	79-88	BW35•T35•BW35TB•37TB•BW65•66	144
XJ6	L/6 4.2L	88-94	ZF4HP22•24-A	184

INDEX

VEHICLE TO TRANSMISSION INDEX

INDEX

MODEL NAME	ENGINE	YEAR	TRANSMISSION	PAGE
XJ6	L/6 3.2L	95-97	ZF4HP22•24-A	184
XJ6	L/6 4.0L	96-97	ZF4HP22•24-A	184
XJ8	V/8 4.0L	98-03	ZF5HP24•A•ZF5HP22	238
XJR	V/12 6.0L	95-97	4L80E•4L85E	214
XJR	V/8 4.0L	98-03	ZF5HP24•A•ZF5HP22	238
XJS, XJ12	various	72-77	FMX•CW•BW8•BW12•R12	140
XJS, XJ12	V/12 5.3L	77-92	TH400•3L80•375•425	154
XJS, XJ12	V/12 6.0L	93-98	4L80E•4L85E	214
XK Series	V/8 4.0L	97-07	ZF6HP26	260
XK8	V/8 4.0L	97-02	ZF5HP24•A•ZF5HP22	238
ZR	L/6 3.6L	82-83	TH200-4R	194
“S” type	V/6 3.0L V/8 4.0L	99-02	5R55N•W•S	242
“S” type	V/6 2.7L/3.0L V/8 4.2L	03-07	ZF6HP26	260
LAND ROVER				
Defender	various	93-98	ZF4HP22•24-A	184
Discovery	various	94-04	ZF4HP22•24-A	184
Discovery	V/6 4.0L V/8 4.4L	05-07	ZF6HP26	260
Freelander	L/6 2.5L	02-06	JF506E•JA5A-EL•RE5F01A	94
LR2	V/6 3.0L	05-06	TF-81SC•AF21•AW6A-EL•AM6	112
LR3	V/6 4.0L V/8 4.4L	05-07	ZF6HP26	260
Range Rover	various	82-87	A727•TF8	160
Range Rover	various	87-02	ZF4HP22•24-A	184
Range Rover	V/8 4.4L	01-06	ZF5HP24•A•ZF5HP22	238
Range Rover	V/8 4.4L	03-04	ZF5HP24•A•ZF5HP22	238
Range Rover	V/8 4.2L/4.4L	05-07	ZF6HP26	260
Ranger Rover Sport	V/8 4.2L/4.4L	05-07	ZF6HP26	260
LEXUS				
ES 250	V/6 2.5L	90-91	A540E•A541E	20
ES 250	V/6 2.5L	02-06	U250E	88
ES 300	V/6 3.0L	92-93	A540E•A541E	20
ES 300	V/6 3.0L	94-98	A540E•A541E	20
ES 300	V/6 3.0L	99-01	U140E•F•U240E•U241E	32
ES 300	V/6 3.0L	99-01	A540E•A541E	20
ES 300	V/6 3.0L	02-03	U150E•F•U151E	82
ES 300	V/6 3.0L/3.3L	02-06	U250E	88
ES 330	V/6 3.3L	04-06	U150E•F•U151E	82
ES 350	V/6 3.3L	04-04	U150E•F•U151E	82
ES 350	V/6 3.5L	07-11	U660E	104
GS 300	L/6 3.0L	93-95	A340•A341E•A343E•A350•AW30-40LE	170
GS 300	L/6 3.0L	96-97	A340•A341E•A343E•A350•AW30-40LE	170
GS 300	V/6 3.0L	98-05	A650E	226
GS 300	V/6 3.0L	06-07	A760E•F•A761E•F•H	248
GS 300	L/6 3.0L	06-10	A960E	254
GS 350 RWD/AWD	V/6 3.5L	07-11	A760E•F•A761E•F•H	248
GS 400	V/8 4.0L	98-00	A650E	226
GS 430	V/8 4.3L	01-05	A650E	226
GS 430	V/8 4.3L	06-08	A760E•F•A761E•F•H	248
GS 450h RWD	V/6 3.5L	07-11	CVT-L110	273
GS 460 RWD	V/8 4.6L	09-11	AA80E	266
GX 460	V/8 4.6L	10-11	A760E•F•A761E•F•H	248
GX 470	V/8 4.7L	03-07	A750E•F	232
HS 250h	L/4 2.4/L	10-11	CVT-L110	273
IS 250 C	V/6 2.5L	06-11	A960E	254
IS 300	L/6 3.0L	01-05	A650E	226

VEHICLE TO TRANSMISSION INDEX

INDEX

MODEL NAME	ENGINE	YEAR	TRANSMISSION	PAGE
IS 300	V/6 3.0L	05-10	A960E	254
IS 350 C	V/6 3.5L	06-11	A760E•F•A761E•F•H	248
IS-F	V/8 5.0L	08-11	AA80E	266
LS 400	V/8 4.0L	90-97	A340•A341E•A343E•A350•AW30-40LE	170
LS 400	V/8 4.0L	98-00	A650E	226
LS 430	V/8 4.3L	01-03	A650E	226
LS 430	V/8 4.3L	04-06	A760E•F•A761E•F•H	248
LS 460 L	V/8 4.6L	07-11	AA80E	266
LS 600h L	V/8 5.0L	10-11	CVT-L110	273
LX 450	L/6 4.5L	96-97	A340•A341E•A343E•A350•AW30-40LE	170
LX 470	V/8 4.7L	98-02	A340•A341E•A343E•A350•AW30-40LE	170
LX 470	V/8 4.7L	03-07	A750E•F	232
LX 570	V/8 5.7L	10-11	A760E•F•A761E•F•H	248
RX 300	V/6 3.0L	99-03	U140E•F•U240E•U241E	32
RX 330	V/6 3.3L	03-08	U250E	88
RX 330	V/6 3.3L	04-06	U150E•F•U151E	82
RX 330	V/6 3.3L	04-06	U150E•F•U151E	82
RX 330 Hybrid	V/6 3.3L	06-08	CVT-P310•Q211	274
RX 350	V/6 3.5L	07-08	U150E•F•U151E	82
RX 350	V/6 3.5L	08-11	U660E	104
RX 400h Hybrid	V/6 3.3L	06-07	CVT-P310•Q211	274
RX 450h	V/6 3.5L	10-11	CVT-L110	273
SC 300	L/6 3.0L	92-97	A340•A341E•A343E•A350•AW30-40LE	170
SC 300	L/6 3.0L	98-00	A340•A341E•A343E•A350•AW30-40LE	170
SC 400	V/8 4.0L	92-97	A340•A341E•A343E•A350•AW30-40LE	170
SC 400	V/8 4.0L	98-00	A650E	226
SC 430	V/8 4.3L	01-05	A650E	226
SC 430	V/8 4.3L	06-11	A760E•F•A761E•F•H	248
MASERATI				
All	various	82-89	A727•TF8	160
GT Coupe	V/8 4.2L	07-10	ZF6HP26	260
Quattroporte	V/8 4.2L/4.7L	07-10	ZF6HP26	260
PEUGEOT				
405 Transverse	L/4 1.9L	89-91	ZF4HP14	60
504	various	74-83	ZF3HP12•20	166
504	various	79-83	ZF3HP22	168
505	L/4 2.0L/2.3L	80-85	ZF3HP22	168
604	various	77-83	ZF3HP12•20	166
604	L/4 2.3L	79-84	ZF3HP22	168
Sedan/Station Wagon	various	75-83	ZF3HP12•20	166
ROLLS ROYCE				
Bentley	various	67-75	TH400•3L80•375•425	154
Bentley	various	93-01	ZF5HP30	240
Corniche	various	67-82	TH400•3L80•375•425	154
Rolls Royce	various	91-06	4L80E•4L85E	214
Silver Shadow	various	68-90	TH400•3L80•375•425	154
Silver Spur	various	68-90	TH400•3L80•375•425	154
T Series	various	68-72	TH400•3L80•375•425	154
Turbo Coupe	various	91-92	4L80E•4L85E	214
ROVER				
2000 SD1	2.0L	84-86	TH180•C•4L30-E	188
2000/2200	various	66-77	BW35•T35•BW35TB•37TB•BW65•66	144
213	various	85-86	Honda 3-Speed	14
214/216	various	87-97	ZF4HP14	60

VEHICLE TO TRANSMISSION INDEX

INDEX

MODEL NAME	ENGINE	YEAR	TRANSMISSION	PAGE
216	various	85-85	ZF4HP14	60
2300 SD1/2600 SD1	2.3L/2.6L	84-87	TH180•C•4L30-E	188
2300/2600	various	84-87	TH180•C•4L30-E	188
3 Litre MKIII	various	65-67	FMX•CW•BW8•BW12•R12	140
3500	various	67-73	BW35•T35•BW35TB•37TB•BW65•66	144
3500	various	73-81	BW35•T35•BW35TB•37TB•BW65•66	144
Vitesse	various	83-86	TH180•C•4L30-E	188
SAAB				
9-2	L/4 2.0L/2.5L	05-05	AW50-40•AW50-42LE	44
9-3	L/4 2.0L/2.3L	98-02	AW50-40•AW50-42LE	44
9-3	L/4 2.0L	03-03	AW50-40•AW50-42LE	44
9-3	L/4 2.0L V/6 2.8L	03-05	AW55-50SN•AF33-5•AF23-5• RE5F22A•AW235	100
9-3	L/4 2.0L	06-09	AW55-50SN•AF33-5•AF23-5• RE5F22A•AW235	100
9-3	V/6 2.8L	06-07	AF40•AF40-6	272
9-3	L/4 2.0L Turbo V/6 2.8L	09-09	AF40•AF40-6	272
9-5	L/4 2.3L V/6 3.0L	98-01	AW50-40•AW50-42LE	44
9-5	L/4 2.3L V/6 3.0L	02-09	AW55-50SN•AF33-5•AF23-5• RE5F22A•AW235	100
9-7X	L/4 4.2L V/8 5.3L	05-09	TH700-R4•4L60•E•65E•70E•75E	200
9-7X	V/8 6.0L	07-09	TH700-R4•4L60•E•65E•70E•75E	200
900	various	81-93	BW35•T35•BW35TB•37TB•BW65•66	144
900	L/4 2.0L/2.3L	94-98	AW50-40•AW50-42LE	44
9000/9000S	various	86-98	ZF4HP18Q	62
9000S Turbo	various	87-98	ZF4HP18Q	62
99EA/99LEA4/900	various	69-80	BW35•T35•BW35TB•37TB•BW65•66	144
SCION				
tC	L/4 2.4L	05-10	U140E•F•U240E•U241E	32
xA	L/4 1.5L	04-06	U340E•U341E•F•MU5	38
xB	L/4 1.5L	04-06	U340E•U341E•F•MU5	38
xB	L/4 2.4L	08-10	U140E•F•U240E•U241E	32
SUZUKI				
Aerio	L/4 2.0L	02-03	AW60-40LE•41SN•AF13•17-AS17-4	50
Aerio	L/4 2.3L	04-07	AW50-40•AW50-42LE	44
Esteem	L/4 1.6L/1.8L	95-02	AW60-40LE•41SN•AF13•17-AS17-4	50
Forenza	L/4 2.0L	04-07	ZF4HP16	270
Grand Vitara	various	99-06	A40•41•42•AW70•71•A44D•DL•DE•A46DE	136
Kizashi	L/4 2.4L	09-10	JF011E	126
Reno	L/4 2.0L	04-07	ZF4HP16	270
Sidekick 2 door	L/4 1.6L	89-98	TH180•C•4L30-E	188
Sidekick 4 door	L/4 1.6L	92-98	A40•41•42•AW70•71•A44D•DL•DE•A46DE	136
Swift	L/4 1.3L	89-01	MX17	10
SX4 Sport	L/4 2.0L	07-10	AW80•81-40LE•U440•41E•TF80•81-40LE	56
Verona	L/6 2.5L	04-06	ZF4HP16	270
Vitara	various	99-02	A40•41•42•AW70•71•A44D•DL•DE•A46DE	136
X-90	L/4 1.6L	95-98	A40•41•42•AW70•71•A44D•DL•DE•A46DE	136
XL7	V/6 2.7L	01-03	A40•41•42•AW70•71•A44D•DL•DE•A46DE	136
XL7	V/6 2.7L/3.6L	04-07	AW55-50SN•AF33-5•AF23-5• RE5F22A•AW235	100
TOYOTA				
4 Runner	L/4 2.4L	89-91	A40•41•42•AW70•71•A44D•DL•DE•A46DE	136
4 Runner	L/4 2.4L/2.7L V/6 3.0L/3.4L/4.0L	89-04	A340•A341E•A343E•A350•AW30-40LE	170
4 Runner	V/6 3.0L	90-94	A340•A341E•A343E•A350•AW30-40LE	170
4 Runner	L/4 2.7L V/6 3.0L/3.4L/4.0L	95-04	A340•A341E•A343E•A350•AW30-40LE	170
4 Runner	V/8 4.7L	03-04	A750E•F	232
4 Runner	V/8 4.7L	03-04	A750E•F	232
4 Runner	V/6 4.0L V/8 4.7L	05-07	A750E•F	232

VEHICLE TO TRANSMISSION INDEX

MODEL NAME	ENGINE	YEAR	TRANSMISSION	PAGE
4 Runner	V/6 4.0L V/8 4.7L	05-07	A750E•F	232
Avalon	V/6 3.0L	95-05	A540E•A541E	20
Avalon	V/6 3.5L	06-07	U150E•F•U151E	82
Avalon	V/6 3.5L	08-10	U660E	104
Camry	L/4 1.8L/2.0L/2.2L	83-01	A140E•A141E	16
Camry	V/6 3.0L	88-93	A540E•A541E	20
Camry	V/6 3.0L	90-91	A540E•A541E	20
Camry	V/6 3.0L	94-03	A540E•A541E	20
Camry	L/4 2.0L/2.2L/2.4L V/6 3.0L	01-10	U140E•F•U240E•U241E	32
Camry	V/6 3.0L	02-03	U140E•F•U240E•U241E	32
Camry	V/6 3.0L/3.3L	04-06	U150E•F•U151E	82
Camry	L/4 2.4L/2.5L V/6 3.0L/3.5L	04-10	U250E	88
Camry	V/6 3.5L	07-10	U660E	104
Camry HV Hybrid	L/4 2.4L	07-10	CVT-P310•Q211	274
Carina	various	70-73	A20	132
Carina	various	70-73	A30	134
Celica	various	68-75	A30	134
Celica	various	73-80	A40•41•42•AW70•71•A44D•DL•DE•A46DE	136
Celica	L/4 2.4L	81-85	A40•41•42•AW70•71•A44D•DL•DE•A46DE	136
Celica	L/4 2.0L	86-89	A140E•A141E	16
Celica GT	L/4 2.0L	90-93	A240•A241E•242E•A243E•A244E	24
Celica GT	L/4 2.0L	94-99	A140E•A141E	16
Celica GT	L/4 1.8L	00-05	U340E•U341E•F•MU5	38
Celica GTS	L/4 2.2L	90-93	A240•A241E•242E•A243E•A244E	24
Celica GTS	L/4 1.8L	00-05	U140E•F•U240E•U241E	32
Celica ST	L/4 1.6L/2.2L	90-93	A240•A241E•242E•A243E•A244E	24
Celica ST	L/4 2.2L	94-99	A245E•A246E•A247E	28
Corolla	various	65-70	A10	130
Corolla	various	70-74	A20	132
Corolla	various	72-82	A40•41•42•AW70•71•A44D•DL•DE•A46DE	136
Corolla	L/4 1.6L/1.8L	82-83	A40•41•42•AW70•71•A44D•DL•DE•A46DE	136
Corolla	L/4 1.6L	83-83	A40•41•42•AW70•71•A44D•DL•DE•A46DE	136
Corolla	L/4 1.6L	84-87	A40•41•42•AW70•71•A44D•DL•DE•A46DE	136
Corolla	L/4 1.8L diesel	84-85	A130•A131L•A132L	6
Corolla	L/4 1.6L/1.8L (includes "FX")	84-01	A130•A131L•A132L	6
Corolla	L/4 1.6L	85-92	A240•A241E•242E•A243E•A244E	24
Corolla	L/4 1.6L (includes FX)	87-89	A240•A241E•242E•A243E•A244E	24
Corolla	L/4 1.6L	88-92	A240•A241E•242E•A243E•A244E	24
Corolla	L/4 1.8L	93-08	A245E•A246E•A247E	28
Corolla	L/4 2.4L	07-10	U250E	88
Corolla	L/4 1.8L	09-09	U340E•U341E•F•MU5	38
Corona	various	65-70	A10	130
Corona	various	68-76	A30	134
Corona	various	70-74	A20	132
Corona	various	73-80	A40•41•42•AW70•71•A44D•DL•DE•A46DE	136
Corona	various	81-82	A40•41•42•AW70•71•A44D•DL•DE•A46DE	136
Cressida	L/6 2.6L	78-80	A40•41•42•AW70•71•A44D•DL•DE•A46DE	136
Cressida	L/6 2.8L	81-82	A40•41•42•AW70•71•A44D•DL•DE•A46DE	136
Cressida	L/6 2.8L	83-86	A40•41•42•AW70•71•A44D•DL•DE•A46DE	136
Cressida	L/6 2.8L/3.0L	87-92	A340•A341E•A343E•A350•AW30-40LE	170
Crown	various	65-70	A10	130
Crown	various	68-73	A30	134
Echo	L/4 1.5L	00-05	U340E•U341E•F•MU5	38
FJ Cruiser	V/6 4.0L	07-08	A750E•F	232

INDEX

VEHICLE TO TRANSMISSION INDEX

INDEX

MODEL NAME	ENGINE	YEAR	TRANSMISSION	PAGE
FJ Cruiser	V/6 4.0L	07-08	A750E•F	232
Highlander	L/4 2.4L	01-07	U140E•F•U240E•U241E	32
Highlander	L/4 2.4L V/6 3.0L	01-07	U140E•F•U240E•U241E	32
Highlander	V/6 3.0L	01-07	U140E•F•U240E•U241E	32
Highlander	V/6 3.3L	04-08	U150E•F•U151E	82
Highlander	V/6 3.3L	04-08	U150E•F•U151E	82
Highlander	L/4 2.5L V/6 3.5L	07-10	U250E	88
Highlander	L4 2.7L V/6 3.5L	09-10	U660E	104
Highlander Hybrid	V/6 3.3L	05-07	CVT-P310•Q211	274
Landcruiser	L/6 4.1L/4.2L	85-92	A440F•A442F	176
Landcruiser	L/6 4.5L	93-95	A440F•A442F	176
Landcruiser	L/6 4.5L	95-02	A340•A341E•A343E•A350•AW30-40LE	170
Landcruiser	V/8 4.7L	96-02	A340•A341E•A343E•A350•AW30-40LE	170
Landcruiser	V/8 4.7L	03-07	A750E•F	232
Mark II	various	68-73	A30	134
Mark X	V/6 2.5L/3.0L	05-10	A960E	254
Matrix	L/4 1.8L (WT-1) 130HP	03-08	A245E•A246E•A247E	28
Matrix	L/4 1.8L (WTL-1) 180 HP	03-06	U140E•F•U240E•U241E	32
Matrix	L/4 1.8L	03-06	U340E•U341E•F•MU5	38
Matrix	L/4 2.4L	07-10	U250E	88
Matrix	L/4 1.8L	09-09	U340E•U341E•F•MU5	38
Matrix	L/4 2.4L	09-09	U140E•F•U240E•U241E	32
MR2	L/4 1.6L	86-86	A140E•A141E	16
MR2	L/4 1.6L	87-88	A240•A241E•242E•A243E•A244E	24
MR2	L/4 1.6L (SC)	88-89	A240•A241E•242E•A243E•A244E	24
MR2	L/4 2.2L	89-95	A240•A241E•242E•A243E•A244E	24
Paseo	L/4 1.5L	92-99	A240•A241E•242E•A243E•A244E	24
Pickup	various	68-79	A30	134
Pickup	L/4 2.2L	75-80	A40•41•42•AW70•71•A44D•DL•DE•A46DE	136
Pickup	L/4 2.4L	81-81	A40•41•42•AW70•71•A44D•DL•DE•A46DE	136
Pickup	L/4 2.4L	82-82	A40•41•42•AW70•71•A44D•DL•DE•A46DE	136
Pickup	L/4 2.4L	82-84	A40•41•42•AW70•71•A44D•DL•DE•A46DE	136
Pickup	L/4 2.4L (Turbo)	85-87	A340•A341E•A343E•A350•AW30-40LE	170
Pickup	L/4 2.4L V/6 3.0L	85-89	A340•A341E•A343E•A350•AW30-40LE	170
Pickup	L/4 2.4L	90-94	A340•A341E•A343E•A350•AW30-40LE	170
Pickup	V/6 3.0L	90-94	A340•A341E•A343E•A350•AW30-40LE	170
Previa	L/4 2.4L	91-97	A40•41•42•AW70•71•A44D•DL•DE•A46DE	136
Previa	L/4 2.4L	91-97	A40•41•42•AW70•71•A44D•DL•DE•A46DE	136
Previa	L/4 2.4L (SC)	93-97	A340•A341E•A343E•A350•AW30-40LE	170
Previa	L/4 2.4L (SC)	93-97	A340•A341E•A343E•A350•AW30-40LE	170
Prius Hybrid	L/4 1.5L	02-08	P112-ECVT	122
RAV-4	L/4 2.0L	96-97	A240•A241E•242E•A243E•A244E	24
RAV-4	L/4 2.0L	96-99	A540E•A541E	20
RAV-4	L/4 2.0L	98-99	A245E•A246E•A247E	28
RAV-4	L/4 2.0L/2.4L	00-08	U140E•F•U240E•U241E	32
RAV-4	L/4 2.0L/2.4L/2.5L	00-10	U140E•F•U240E•U241E	32
RAV-4	V/6 3.5L	05-10	U250E	88
RAV-4	V/6 3.5L	07-08	U150E•F•U151E	82
RAV-4	V/6 3.5L	07-08	U150E•F•U151E	82
RAV-4	L4 2.0L/2.2L V/6 3.5L	08-10	U660E	104
Sequoia	V/8 4.7L	01-04	A340•A341E•A343E•A350•AW30-40LE	170
Sequoia	V/8 4.7L	01-04	A340•A341E•A343E•A350•AW30-40LE	170
Sequoia	V/8 4.7L	05-07	A750E•F	232
Sequoia	V/8 4.7L	05-07	A750E•F	232

VEHICLE TO TRANSMISSION INDEX

MODEL NAME	ENGINE	YEAR	TRANSMISSION	PAGE
Sienna	V/6 3.0L	98-00	A540E•A541E	20
Sienna	V/6 3.0L	01-03	A540E•A541E	20
Sienna	V/6 3.3L	04-09	U150E•F•U151E	82
Sienna	V/6 3.3L	04-09	U150E•F•U151E	82
Sienna	V/6 3.5L	09-10	U660E	104
Solara	L/4 2.2L	98-01	A140E•A141E	16
Solara	V/6 3.0L	98-03	A540E•A541E	20
Solara	L/4 2.4L	02-05	U140E•F•U240E•U241E	32
Solara	V/6 3.3L	04-08	U150E•F•U151E	82
Solara	L/4 2.4L	05-08	U250E	88
Solara	V/6 3.3L	05-08	U250E	88
Supra	L/6 2.6L	79-79	A40•41•42•AW70•71•A44D•DL•DE•A46DE	136
Supra	L/6 2.6L	80-80	A40•41•42•AW70•71•A44D•DL•DE•A46DE	136
Supra	L/6 2.8L	81-81	A40•41•42•AW70•71•A44D•DL•DE•A46DE	136
Supra	L/6 2.8L	82-82	A40•41•42•AW70•71•A44D•DL•DE•A46DE	136
Supra	L/6 2.8L	83-85	A40•41•42•AW70•71•A44D•DL•DE•A46DE	136
Supra	L/6 3.0L (w/o Turbo)	86-98	A340•A341E•A343E•A350•AW30-40LE	170
Supra	L/6 3.0L (w/Turbo)	93-98	A340•A341E•A343E•A350•AW30-40LE	170
T100	L/4 2.7L V/6 3.0L/3.4L	93-98	A340•A341E•A343E•A350•AW30-40LE	170
T100	L/4 2.7L V/6 3.0L/4.34L	93-98	A340•A341E•A343E•A350•AW30-40LE	170
Tacoma Access Cab	L/4 2.7L	06-10	A340•A341E•A343E•A350•AW30-40LE	170
Tacoma Access Cab	L/4 2.7L	06-10	A340•A341E•A343E•A350•AW30-40LE	170
Tacoma Double Cab	V/6 4.0L	06-07	A340•A341E•A343E•A350•AW30-40LE	170
Tacoma Double Cab	V/6 4.0L	06-07	A340•A341E•A343E•A350•AW30-40LE	170
Tacoma Double Cab	V/6 4.0L	06-11	A750E•F	232
Tacoma Double Cab	V/6 4.0L	06-11	A750E•F	232
Tacoma PreRunner	L/4 2.7L V/6 4.0L	06-07	A340•A341E•A343E•A350•AW30-40LE	170
Tacoma PreRunner	V/6 4.0L	06-11	A750E•F	232
Tacoma Regular Cab	L/4 2.4L	85-04	A40•41•42•AW70•71•A44D•DL•DE•A46DE	136
Tacoma Regular Cab	L/4 2.7L V/6 3.0L/3.4L	89-04	A340•A341E•A343E•A350•AW30-40LE	170
Tacoma Regular Cab	L/4 2.7L V/6 3.4L	95-04	A340•A341E•A343E•A350•AW30-40LE	170
Tacoma Regular Cab	L/4 2.7L	05-10	A340•A341E•A343E•A350•AW30-40LE	170
Tacoma Regular Cab	V/6 4.0L	05-11	A750E•F	232
Tacoma Regular Cab	V/6 4.0L	05-11	A750E•F	232
Tercel	L/4 1.5L	80-86	A55	2
Tercel	L/4 1.5L	84-88	A55	2
Tercel	L/4 1.5L 3A-C engine	87-87	A55	2
Tercel	L/4 1.5L 3E engine	87-87	A130•A131L•A132L	6
Tercel	L/4 1.5L	88-99	A130•A131L•A132L	6
Tercel	L/4 1.5L	95-99	A240•A241E•242E•A243E•A244E	24
Trundra CrewMax	V/8 4.7L	06-11	A750E•F	232
Trundra CrewMax	V/8 4.7L	06-11	A750E•F	232
Tundra Access Cab	V/6 4.0L V/8 4.7L	06-11	A750E•F	232
Tundra Access Cab	V/6 4.0L V/8 4.7L	06-11	A750E•F	232
Tundra Double Cab	V/8 4.7L	06-11	A750E•F	232
Tundra Double Cab	V/8 4.7L	06-11	A750E•F	232
Tundra Regular Cab	V/6 3.4L V/8 4.7L	00-04	A340•A341E•A343E•A350•AW30-40LE	170
Tundra Regular Cab	V/6 3.4L V/8 4.7L	00-04	A340•A341E•A343E•A350•AW30-40LE	170
Tundra Regular Cab	V/6 4.0L V/8 4.7L	05-11	A750E•F	232
Tundra Regular Cab	V/6 4.0L V/8 4.7L	05-11	A750E•F	232
Van	L/4 2.0L/2.2L	84-86	A40•41•42•AW70•71•A44D•DL•DE•A46DE	136
Van	L/4 2.2L	87-89	A40•41•42•AW70•71•A44D•DL•DE•A46DE	136
Van	L/4 2.2L	87-89	A40•41•42•AW70•71•A44D•DL•DE•A46DE	136
Yaris	L/4 1.5L	06-08	U340E•U341E•F•MU5	38

INDEX

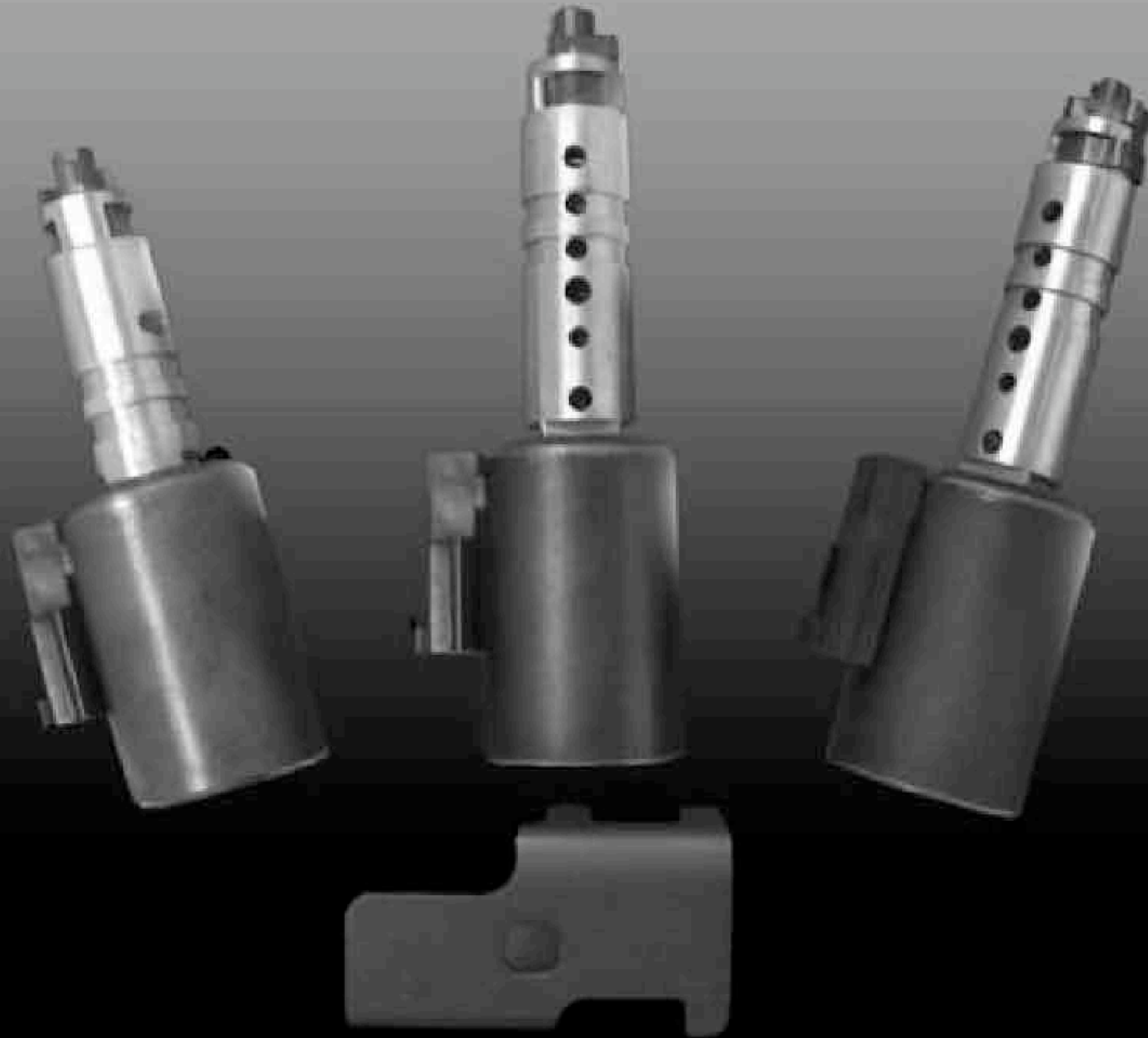
VEHICLE TO TRANSMISSION INDEX

INDEX

MODEL NAME	ENGINE	YEAR	TRANSMISSION	PAGE
Yaris	L/4 1.3L/1.5L	06-10	AW80•81-40LE•U440•41E•TF80•81-40LE	56
VOLVO				
120/140/160/180/240	various	65-75	BW35•T35•BW35TB•37TB•BW65•66	144
240	L/4 2.1L	76-81	A40•41•42•AW70•71•A44D•DL•DE•A46DE	136
240	L/4 2.1L	76-81	A40•41•42•AW70•71•A44D•DL•DE•A46DE	136
240	L/6 2.4L diesel	80-84	A40•41•42•AW70•71•A44D•DL•DE•A46DE	136
240	L/4 2.1L/2.3L	82-92	A40•41•42•AW70•71•A44D•DL•DE•A46DE	136
240	L/4 2.1L (Turbo)	82-85	A40•41•42•AW70•71•A44D•DL•DE•A46DE	136
240	L/4 2.3L	92-93	A40•41•42•AW70•71•A44D•DL•DE•A46DE	136
260	V/6 2.7L	76-82	A40•41•42•AW70•71•A44D•DL•DE•A46DE	136
40 Series	L/4 1.9L	00-01	AW50-40•AW50-42LE	44
40 Series	L/4 1.9L L/5 2.4L/2.5L	02-06	AW55-50SN•AF33-5•AF23-5• RE5F22A•AW235	100
50 Series	L/5 2.4L/2.5L	05-07	AW55-50SN•AF33-5•AF23-5• RE5F22A•AW235	100
60 Series	L/5 2.3L/2.4L/2.5L	01-07	AW55-50SN•AF33-5•AF23-5• RE5F22A•AW235	100
70 Series	L/5 2.3L/2.4L	98-00	AW50-40•AW50-42LE	44
70 Series	L/5 2.3L/2.4L/2.5L	01-08	AW55-50SN•AF33-5•AF23-5• RE5F22A•AW235	100
70 Series	L/5 2.3L/2.4L/2.5L	01-08	AW55-50SN•AF33-5•AF23-5• RE5F22A•AW235	100
70 Series	L/5 2.4L V/6 3.0L/3.2L	05-10	TF-80-SC•AF40-6•AF40	118
70 Series	L/6 3.2L	08-08	TF-80-SC•AF40-6•AF40	118
740	L/4 2.3L	85-91	A40•41•42•AW70•71•A44D•DL•DE•A46DE	136
740	L/4 2.3L	85-89	ZF4HP22•24-A	184
740	L/6 2.4L (Turbo)	85-86	ZF4HP22•24-A	184
740	L/4 2.3L (Turbo)	85-90	A40•41•42•AW70•71•A44D•DL•DE•A46DE	136
740	L/4 2.3L	90-92	A40•41•42•AW70•71•A44D•DL•DE•A46DE	136
740	L/4 2.3L	90-92	A40•41•42•AW70•71•A44D•DL•DE•A46DE	136
740	AW71L/03-71L	90-92	A40•41•42•AW70•71•A44D•DL•DE•A46DE	136
760	V/6 2.7L	83-83	A40•41•42•AW70•71•A44D•DL•DE•A46DE	136
760	V/6 2.8L	84-90	A40•41•42•AW70•71•A44D•DL•DE•A46DE	136
760	L/6 2.4L (Turbo)	85-86	ZF4HP22•24-A	184
760	L/4 2.3L (Turbo)	85-90	A40•41•42•AW70•71•A44D•DL•DE•A46DE	136
780	L/4 2.3L (Turbo)	87-90	A40•41•42•AW70•71•A44D•DL•DE•A46DE	136
780	V/6 2.8L	87-90	A40•41•42•AW70•71•A44D•DL•DE•A46DE	136
80 Series	L/6 2.5L	99-02	TH440-T4•4T60•E•4T65E	64
80 Series	L/6 2.9L	99-04	AW50-40•AW50-42LE	44
80 Series	L/5 2.5L	04-06	AW55-50SN•AF33-5•AF23-5• RE5F22A•AW235	100
80 Series	L/5 2.4L V/6 3.2L	06-10	TF-80-SC•AF40-6•AF40	118
80 Series	L/6 3.2L V/8 4.4L	07-08	TF-80-SC•AF40-6•AF40	118
850	L/5 2.3L/2.4L	93-97	AW50-40•AW50-42LE	44
90 Series	L/6 3.0L	97-98	A340•A341E•A343E•A350•AW30-40LE	170
90 Series	L/6 2.9L	03-04	AW50-40•AW50-42LE	44
90 Series	L/4 2.5L	03-06	AW55-50SN•AF33-5•AF23-5• RE5F22A•AW235	100
90 Series	L/6 3.2L V/8 4.4L	06-07	TF-80-SC•AF40-6•AF40	118
940	L/4 2.3L	91-97	A40•41•42•AW70•71•A44D•DL•DE•A46DE	136
940	L/4 2.3L (Turbo)	91-97	A40•41•42•AW70•71•A44D•DL•DE•A46DE	136
960	L/6 2.9L	93-97	A340•A341E•A343E•A350•AW30-40LE	170
Cross Country	L/5 2.4L	02-02	AW55-50SN•AF33-5•AF23-5• RE5F22A•AW235	100
S 60 R	L/5 2.5L	06-07	TF-80-SC•AF40-6•AF40	118
V 70 R	L/5 2.5L	06-07	TF-80-SC•AF40-6•AF40	118
XC60	L/5 2.4L V/6 3.0L/3.2L	08-10	TF-80-SC•AF40-6•AF40	118
XC70	L/5 2.4L V/6 3.0L/3.2L	07-10	TF-80-SC•AF40-6•AF40	118
XC90	L/5 2.4L V/6 3.0L/3.2L	05-10	TF-80-SC•AF40-6•AF40	118
NOTES				

Miscellaneous

ADVERTISERS	PRODUCTS	PAGE
Life Products	oil and oil additives	front cover
Transtec	gaskets/seals/rings	rear cover
Rostra	electrical products	xi
Alto	frictions/steels	5
ATSG	repair manuals	9
Muscle	oil additives	13
LubeGard	oil and oil additives	27
BorgWarner	electrical/frictions	31
Superior	valve body repair	43
Teckpak	speciality products	49
Transgo	valve body repair	55
Toledo	electrical and hard parts	87
GFX	hard parts and electrical	93
Filtran	rings/filters/grease	117
Sonnax	valve body repair and hard parts	129
Dacco	converters and hard parts	175
Loctite	sealants	179
Valeo	clutch kits	183
Line Card	A & Reds	187
Conversion	engines	193
A & Reds	number system	221
A & Reds	paint	225
A & Reds	engine hanger parts	231
A & Reds	engine hanger	237
A & Reds	speedo problems	247
A & Reds	decimal chart	253
A & Reds	disclaimer	259



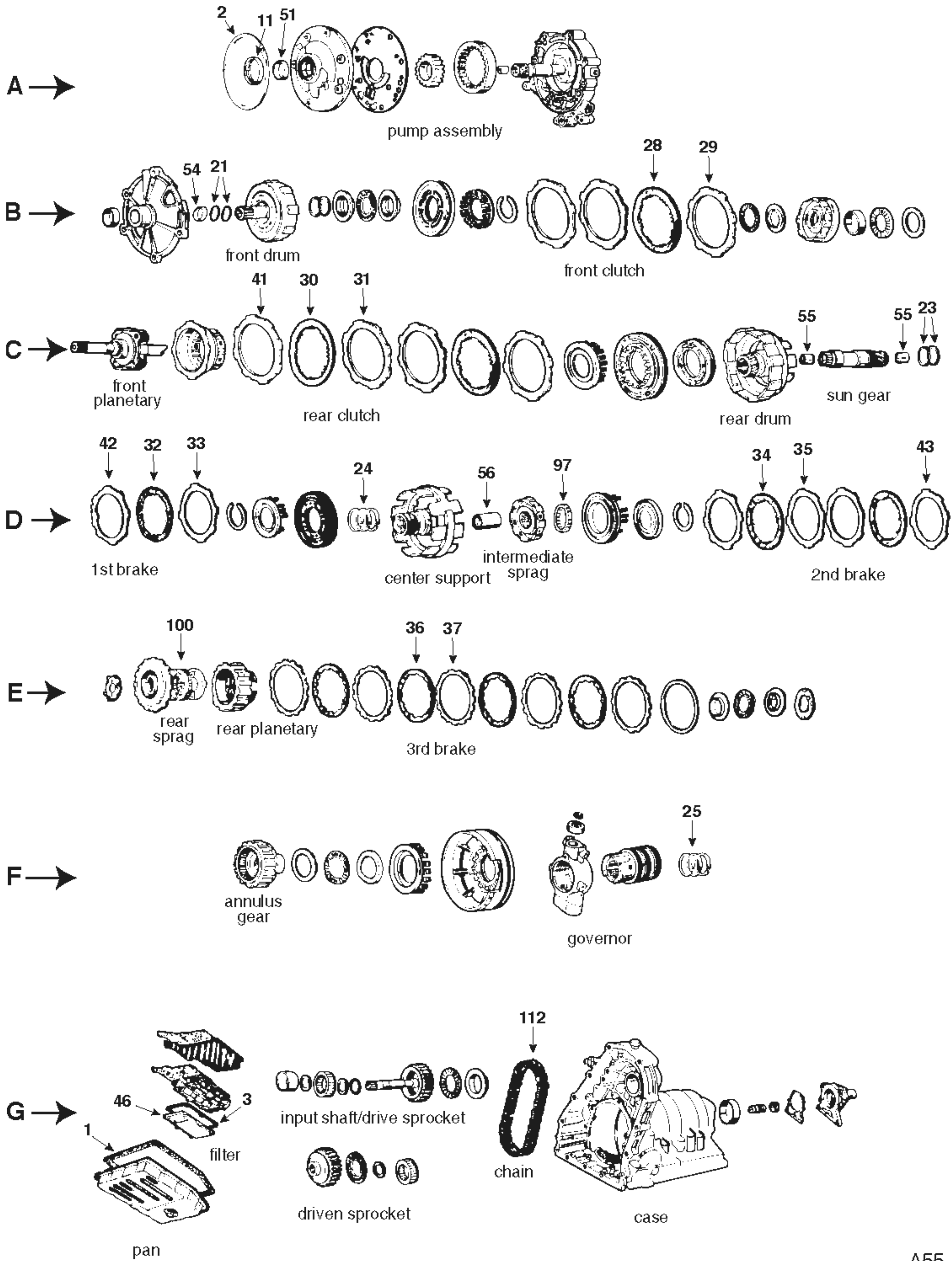
Our Enhanced AW 55-50 Solenoids provide better performance and can save you money.

They're just the beginning of a whole new generation of solenoids that will change the industry.

Rostra Performance Class
ENHANCED LINEAR SOLENOIDS

Over 200 electronic parts covering more than 500 different vehicle applications

Rostra



A55
62000

ILL	DESCRIPTION		QTY	YEAR	REFERENCE #	PART #
TECHNICAL MANUALS						
K53	Tech manual A55 dis/assembly	diagnosis/troubleshooting	1	79-88	83-TOY55TM	010-402
K53	Tech manual A340H/A55 transfer case	dis/assembly diagnosis/troubleshooting	1	82-88	83-34055TM	010-705
REBUILDER KITS						
K5	Master kit w/steels	A55	1	79-88	AE	K6200
K6	Master kit w/o steels	A55	1	79-88	AE	K6200-LS
K7	O/H gasket set w/seals-rings	A55	1	79-88	AE	K62900
K11	Gasket and seal kit	A55	1	79-88	AE	K62900-1
GASKETS AND RUBBER COMPONENTS						
G1	Gasket, oil pan (17 Bolt)	neoprene/cork	1	79-88	35168-16010	13719X
G1	Gasket, oil pan (17 Bolt)	Duraprene®	1	79-88	35168-16010f	13719D
A2	O'ring	front pump to case	1	79-88	90301-99012	13124
G3	Gasket	oil strainer (filter)	1	79-88	35339-16010	13125
METAL CLAD SEALS						
A11	Seal, metal clad	front seal	1	79-88	90311-38020	46200
n/i	Seal, metal clad	axle-differential side cover	2	81-88	90311-32006	62203
n/i	Seal, metal clad	governor damper	2	79-88	90310-23001	62200
n/i	Seal, metal clad	manual lever shaft	1	79-88	90311-10082	44202
n/i	Seal, metal clad	throttle lever shaft	1	79-88	90311-08044	42200
n/i	Seal, metal clad	"S" type speedo driven gear	1	79-88	90310-09001	46203
SEALING RINGS						
K10	Kit, sealing ring	A55	1	79-88	AE	K62300
B21	Ring, sealing (metal)	front clutch	2	79-88	35617-16010	62301
C23	Ring, sealing (hook joint)	sun gear	2/3	79-88	35749-22010	2823K
D24	Ring, sealing	center support	3	79-81	35617-22020	46301
D24	Ring, sealing (metal)	center support	3	81-88	35617-16010	62301
F25	Ring, sealing	governor support	3	79-88	35746-16010	62302
n/i	Ring, sealing	turbine shaft (input)	1	79-88	35712-16010	62300
CLUTCH PLATES						
B28	Friction .091" 5.0" id 24T	forward clutch	2/3	79-88	35677-30030	46100
B29	Steel .071" 4.0" id 8T (short)	forward clutch	3/4	79-88	35634-22070	46101
C30	Friction .091" 5.0" id 24T	direct clutch	1	79-88	35677-22030	46100
C31	Steel .071" 4.0" id 8T (short)	direct clutch	3	79-88	35634-22040	46101
D32	Friction .091" 5.0" id 24T	1st brake clutch	1	79-88	35677-22030	46100
D33	Steel .071" 4.0" id 8T (long)	1st brake clutch	1	79-88	35634-22060	46102
D34	Friction .091" 5.0" id 24T	2nd brake clutch	2	79-88	35679-30020	46100
D35	Steel .071" 4.0" id 8T (long)	2nd brake clutch	3	79-88	35634-22060	46102
E36	Friction .091" 5.0" id 16T	3rd brake clutch	4	79-88	35633-22050	46103
E37	Steel .071" 4.0" id 15T	3rd brake clutch	5	79-88	35634-22080	46104
PRESSURE PLATES						
C41	Pressure plate .155" 8T (short)	direct clutch	1	79-88	35675-22140	46716-R
D42	Pressure plate 8T (long)	1st brake clutch	1	79-88	35625-22010	46714-R
D43	Pressure plate 8T (long)	2nd brake clutch	1	79-88	35625-22010	46714-R
FILTERS						
K9	Kit, filter (2WD)	A55	1	79-88	AE	FK62800
K9	Kit, filter (2WD)	A55	1	79-88	AE	DK62800
K9	Kit, filter (4wd)	A55F	1	82-88	AE	FK62800A
K9	Kit, filter (4wd)	A55F	1	82-88	AE	DK62800A
G46	Filter, 2wd	A55	1	79-88	35303-16020	62800
G46	Filter-4wd-approx. 5/8" thick	A55F	1	82-88	35303-16030	62800A

MAKE	MODEL	YEAR
GM	6L80E	2006-On

DESCRIPTION & NOTES...

Now Available!

6L80E

PowerPacks®

OEI® Original Equipment Improvements

Alto #	Description
195756	4-5-6 Clutch Hi-Performance PowerPack®
195757	3-5 Reverse Clutch Hi-Performance PowerPack®

- **Extended Durability**
- **Superior Coefficient of Friction**
- **Elevated Heat Management**



Call your A & REDS Representative for price and availability.

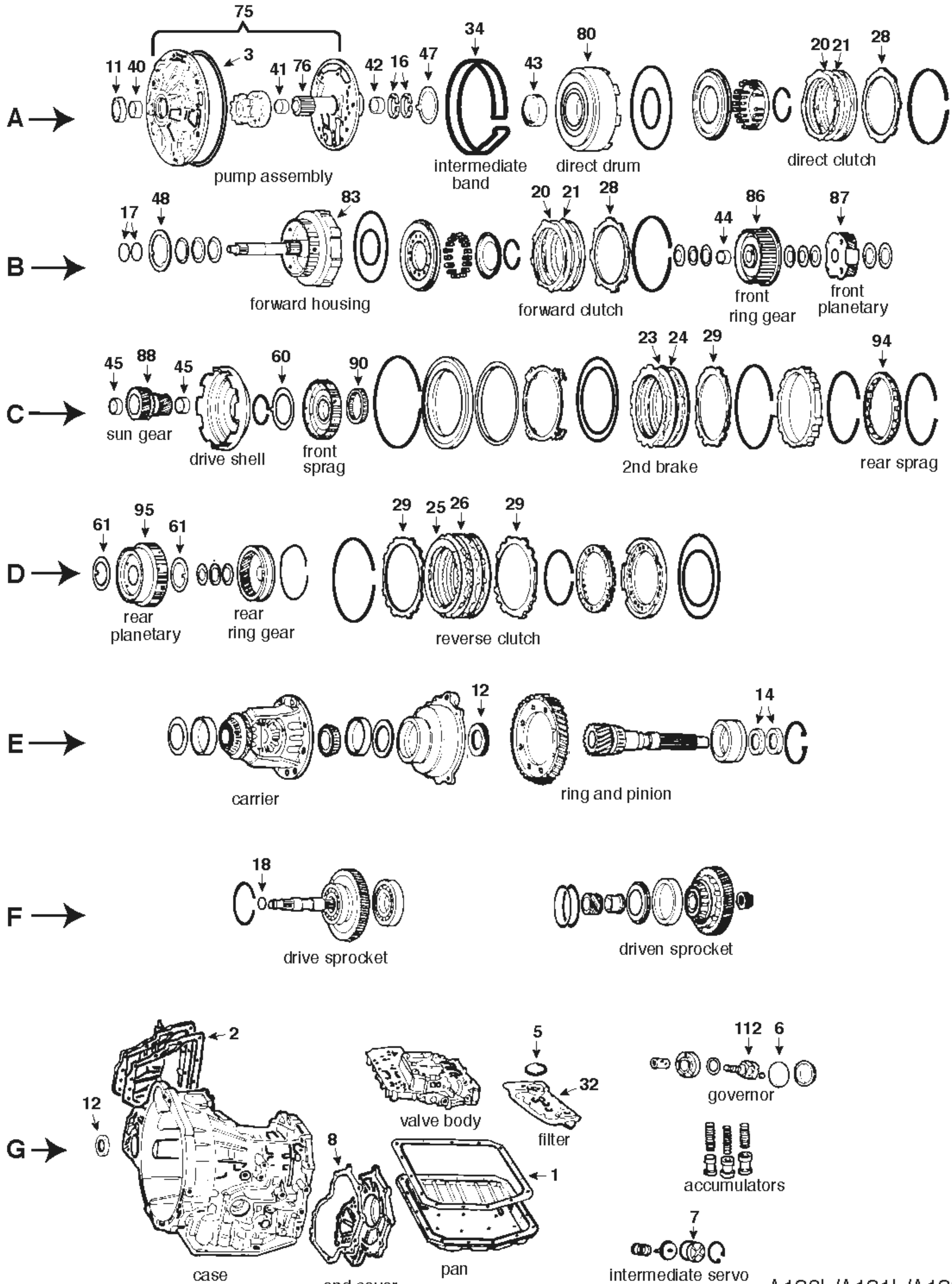
SHIFT ...YOUR THINKING

Clutches and Gears for Automatic Transmissions

10007023



©Alto Products Corp.



A130L/A131L/A132L
75000B

ILL	DESCRIPTION	QTY	YEAR	REFERENCE #	PART #
TECHNICAL MANUALS					
K53	Tech manual Toyota A140 dis/assembly diagnosis/troubleshooting	1	84-02	83-140TM	010-406
REBUILDER KITS					
K4	Master deluxe rebuild kit	1	84-02	AE	K7500B-R
K5	Master kit w/steels	1	84-02	AE	K7500B
K6	Master kit w/o steels	1	84-02	AE	K7500B-LS
K7	O/H gasket set w/seals-rings	1	84-02	AE	K75900B
GASKETS AND RUBBER COMPONENTS					
G1	Gasket, oil pan	1	84-02	35168-32010	13470X
G1	Gasket, oil pan	1	84-02	35168-32010F	13470D
G2	Gasket, differential cover	1	84-85	41182-32010	23001
G2	Gasket, differential cover	1	84-02	41182-12010	23002
G2	Gasket, differential cover	1	84-02	35144-10010	23003
A3	O'ring	1	84-02	96054134	13471
G5	Gasket 1.125" id	1	84-02	35339-32010	13474
G6	O'ring	1	84-02	90301-67001	23013
G7	O'ring	2	84-02	90301-41002	23014
G8	Gasket	1	84-87	35144-12020	13472
n/i	O'ring	1	84-02	96711-24018	23879
n/i	O'ring	2	84-02	90301-09173	13103
n/i	Seal	1	84-02	35147-16010	23021
n/i	Seal	1	84-02	35148-32011	23022
n/i	Ball, check .250" od (viton)	1	84-02	35496-22030	13924
n/i	Ball, check .218" od (viton)	5	84-02	35495-22010	13923
METAL CLAD SEALS					
A11	Seal, metal clad	1	84-02	90311-38020	46200
EG12	Seal, metal clad 55x35x9mm (not in kit)	2	84-02	90311-35010	75201A
EG12	Seal, metal clad 54x35x9mm	2	84-97	90311-34005	75201B
G12	Seal, metal clad 54x35x9mm	1	98-02	90311-34007	75201B
E12	Seal, metal clad	1	98-02	90311-34022	75201
E14	Seal, metal clad	2	84-02	90311-34003	75203
n/i	Seal, metal clad 12x22x7mm	1	84-02	90311-12002	46202
n/i	Seal, metal clad	1	84-02	90310-09001	46203
SEALING RINGS					
K10	Kit, sealing ring	1	84-02	AE	K75300
A16	Ring, sealing (teflon) 2.050" od	2	84-02	35617-22011	75300T
B17	Ring, sealing (teflon)	2	84-02	35712-32010	75301T
F18	Ring, sealing (teflon)	1	84-02	35748-32010	75305T
n/i	Ring, sealing (teflon)	1	84-02	35865-32010	75302T
CLUTCH PLATES					
AB20	Friction .067" 4.971" od 40T	5/7	84-02	35633-32020	75100
AB21	Steel .071" 4.138" id 8T	5/7	84-02	35634-32010	75101
C23	Friction .067" 5.590" od 33T (thin paper)	3	84-02	35677-32030	75102
C24	Steel .071" 4.580" id 12T	3	84-02	94846071	75103
D25	Friction .067" 5.590" od 33T (thin paper)	6	84-02	35677-32040	75102
D26	Steel .071" 4.580" id 12T (narrow spline)	5	84-02	94845450	75105
PRESSURE PLATES					
AB28	Pressure plate .102" 2.6mm	sel	84-02	35675-32030	75716-R
AB28	Pressure plate .110" 2.8mm	sel	84-02	35675-17010	75716A-R
AB28	Pressure plate .118" 3.0mm	sel	84-02	35675-32010	75716B-R
AB28	Pressure plate .126" 3.2mm	sel	84-02	35675-12010	75716C-R
AB28	Pressure plate .130" 3.3mm	sel	84-02	35675-32030	75716D-R
CD29	Pressure plate .110" 2.8mm	1/3	84-02	35676-12030	75714-R

Your Most Valuable Tool to Fix TRANSMISSIONS



Thousands of transmission shops and general repair facilities worldwide count on the experienced staff and resources at ATSG to help them get the job done right and on time. All of ATSG's certified technicians have years of hands-on experience and are available to answer your tech problems on both foreign and domestic automatic transmissions.

In addition to our Technical Hotline, ATSG offers the latest Books, Software, Bulletins, Seminars and Technical Courses to the Automatic Transmission Professional.

So, stop turning away transmission repair work! ATSG is here to help you solve all your automatic transmission repair problems.

Call us today at (800) 245-7722

or visit us online at
www.atsg.biz

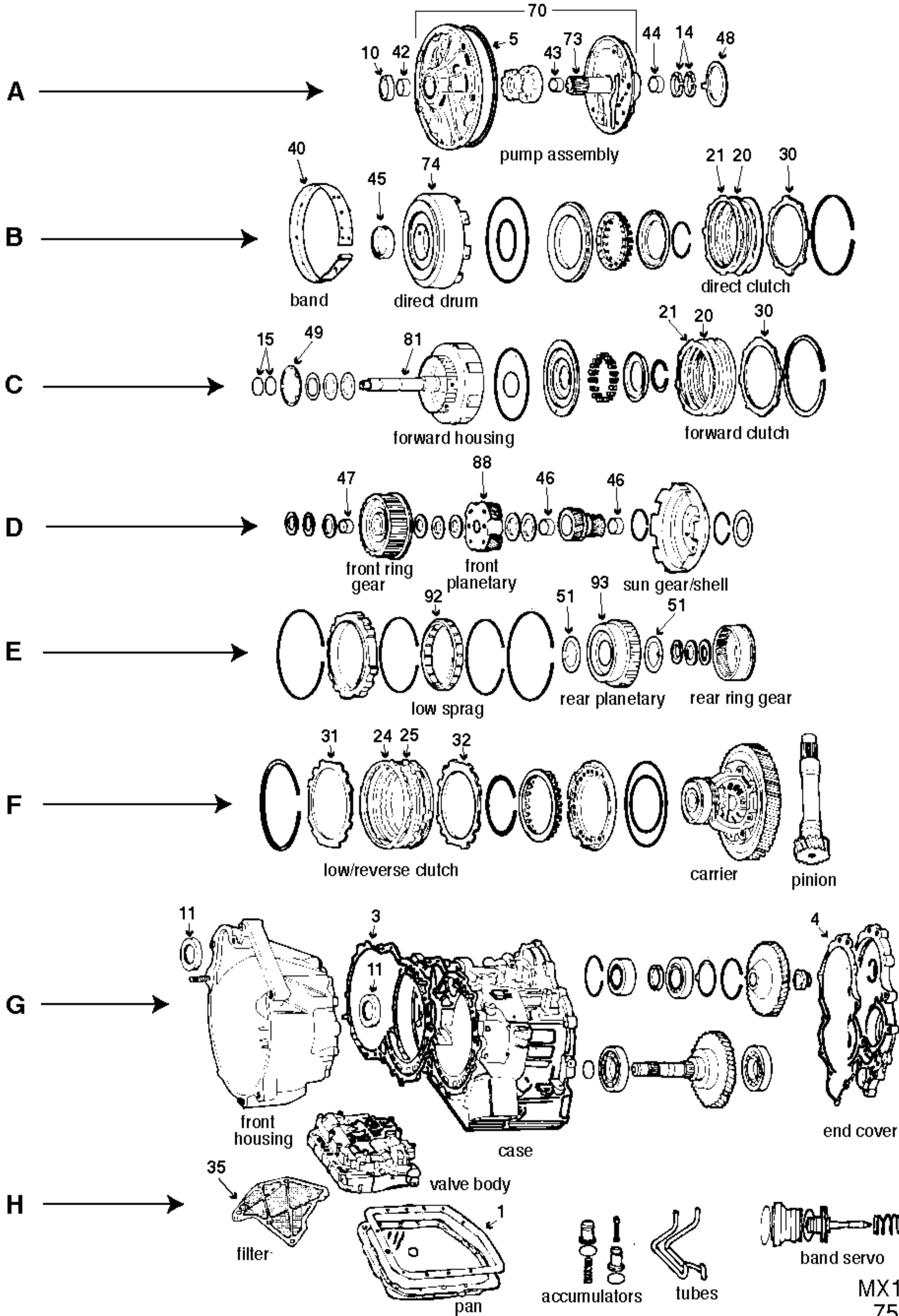
Try our pay per call option.

Become a Member Today & Take Advantage of...

- Our huge library which exceeds any single shop's library.
- Our "Superior Technical Hotline" which outranks the rest.
- 10 knowledgeable technicians which are there to assist you with any problems.
- The savings we provide by solving your transmission problems. One answered question can surpass the value of your subscription fee.



Expert Help is Just a Phone Call Away.



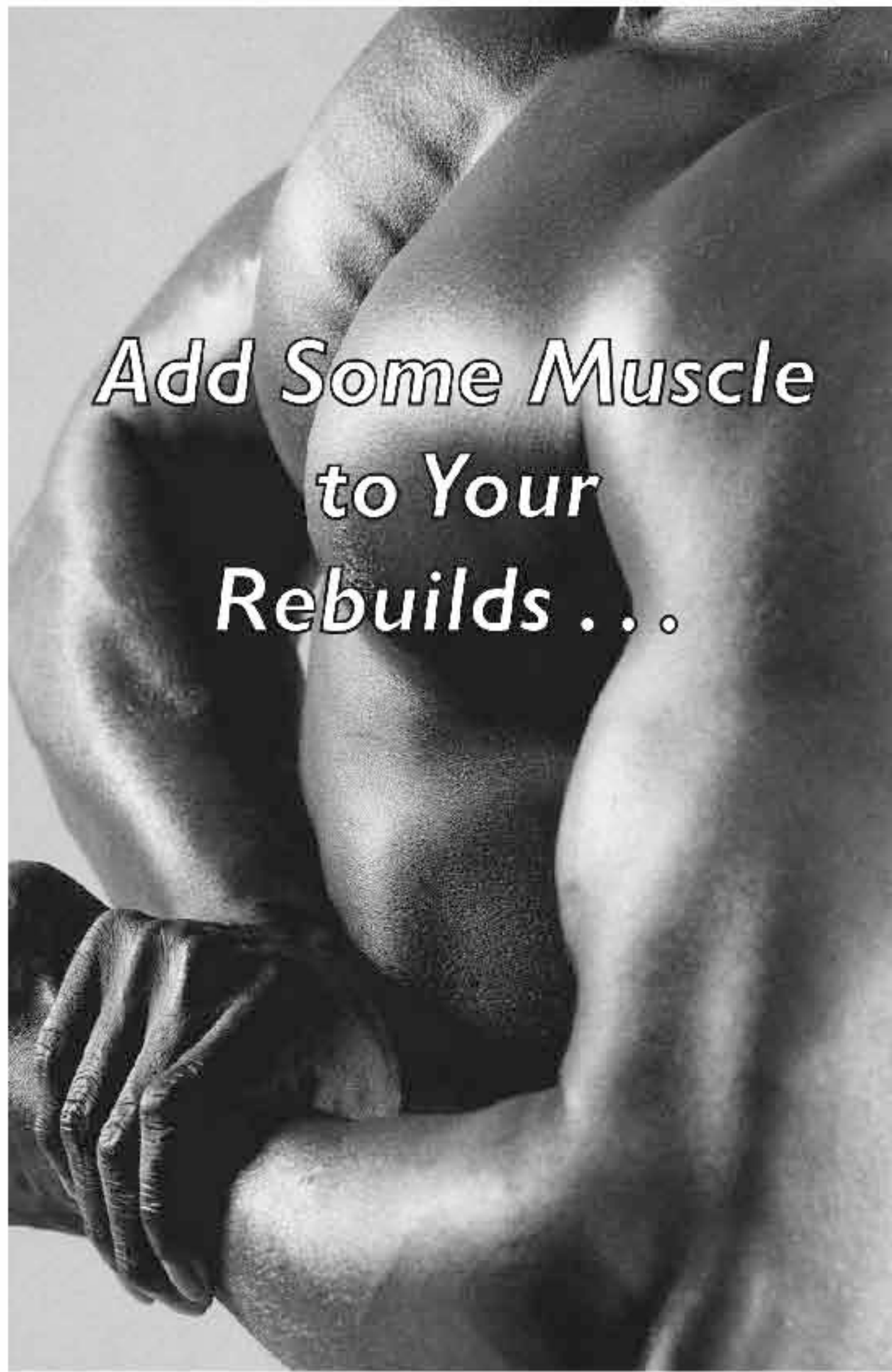
MX17/A210
75000M

ILL	DESCRIPTION		QTY	YEAR	REFERENCE #	PART #
TECHNICAL MANUALS						
K53	Tech manual MX17 dis/assembly	diagnosis/troubleshooting	1	85-01	83-SPR3TM	010-424
REBUILDER KITS						
K5	Master kit w/steels	MX17/A210	1	85-01	AE	K7500M
K5	Master kit w/steels	Daihatsu	1	88-92	AE	K7500H
K6	Master kit w/o steels	MX17/A210	1	85-01	AE	K7500M-LS
K6	Master kit w/o steels	Daihatsu	1	88-92	AE	K7500H-LS
K7	O/H gasket set w/seals-rings	MX17/A210	1	85-01	AE	K75900M
K7	O/H gasket set w/seals-rings	Daihatsu	1	88-92	AE	K75900H
GASKETS AND RUBBER COMPONENTS						
H1	Gasket, oil pan	cork/neoprene	1	85-01	24784-82300	13950X
H1	Gasket, oil pan	Duraprene®	1	85-01	96053920	13950D
G3	Gasket, main case to bell housing	(except below)	1	85-01	96062446	13823
G3	Gasket, main case to bell housing	Daihatsu	1	88-92	35142-87705	13824
G4	Gasket, rear case cover	Daihatsu (4 cyl)	1	88-92	35182-87704	13817
G4	Gasket, rear case cover	Daihatsu (3 cyl)	1	88-92	35142-87704	13818
G4	Gasket, rear case cover	MX17/A210	1	85-01	24730-62300	13816
A5	O'ring	pump	1	85-01	22882-82300	13471
n/i	Gasket	2nd brake servo	1	85-01	96053919	13815
n/i	O'ring	servo cover	2	85-01	96054022	23877
n/i	O'ring	filler tube/throttle cable	2	85-01	96053921	13103
n/i	O'ring	speedometer	1	85-01	96710-02018	23879
METAL CLAD SEALS						
A10	Seal, metal clad	front	1	85-01	96053884	46200
G11	Seal, metal clad	Tracker 4WD	2	85-01	96054226	75201M
G11	Seal, metal clad	Daihatsu (axle shaft left/right)	2	88-92	n/a	75201D
n/i	Seal, metal clad 16x7x6mm	speedometer gear shaft	1	85-01	96053969	50207
n/i	Seal, metal clad 12x22x7mm	manual lever shaft	1	85-01	96054141	46202
SEALING RINGS						
K10	Kit, sealing ring (complete)	MX17/A210	1	85-01	AE	K75300M
A14	Ring, sealing (teflon) 2.050" od	stator shaft	2	85-87	96054133	75300T
A14	Ring, sealing (teflon) 2.225" od	stator shaft	2	88-01	96057149	75300AT
C15	Ring, sealing (teflon)	input shaft	2	85-01	96053893	75301T
n/i	Ring, sealing (teflon)	servo small	1	85-01	96054021	75306T
n/i	Ring, sealing (teflon)	servo large	1	85-01	96054020	75307T
n/i	Ring, sealing (teflon)	output shaft	1	85-01	96053887	75305T
CLUTCH PLATES						
BC20	Friction .067" 4.971" od 40T	forward/direct clutch	5	85-01	96053987	75100
BC21	Steel .071" 4.138" id 8T	forward/direct clutch	5	85-01	96053988	75101
F24	Friction .067" 5.590" od 33T (thin paper)	low/reverse clutch	4	85-01	96054025	75102
F25	Steel .071" 4.580" id 12T (narrow spline)	low/reverse clutch	4	85-01	96054026	75105
PRESSURE PLATES						
BC30	Pressure plate .102" 2.6mm	forward/direct clutch	1	85-01	35675-32030	75716-R
BC30	Pressure plate .110" 2.8mm	forward/direct clutch	1	85-01	35675-17010	75716A-R
BC30	Pressure plate .118" 3.0mm	forward/direct clutch	sel	85-01	96053989	75716B-R
BC30	Pressure plate .126" 3.2mm	forward/direct clutch	1	85-01	35675-12010	75716C-R
BC30	Pressure plate .130" 3.3mm	forward/direct clutch	sel	85-01	96053990	75716D-R
F31	Pressure plate .110" 2.8mm	low/reverse clutch (backing)	1	85-01	96054027	75714-R
F32	Pressure plate	low/reverse clutch (apply)	1	85-01	91171244	75717-R
FILTERS						
K9	Kit, filter	MX17/A210	1	85-01	AE	DK75800M
K9	Kit, filter	MX17/A210	1	85-01	AE	FK75800M
H35	Filter	MX17/A210	1	85-01	96053975	75800M

MX17•A210

MX17

ILL	DESCRIPTION		QTY	YEAR	REFERENCE #	PART #
BANDS						
B40	Band, flex 1.180" wide	2nd coast brake	1	85-01	96054009	75700M
BUSHINGS						
A42	Bushing	pump body	1	85-01	n/a	46001
A43	Bushing 17mm 21.561mm bore	stator support (front)	1	85-01	n/a	46007A
A44	Bushing	stator support (rear)	1	85-01	n/a	75002
B45	Bushing	direct drum	1	85-87	n/a	75000
B45	Bushing	direct drum	1	88-01	n/a	75001
D46	Bushing	sun gear	2	85-01	n/a	75005
D47	Bushing	ring gear flange (input hub)	1	85-01	n/a	75006
WASHERS/BEARINGS/RACES/SHIMS						
A48	Thrust washer	direct clutch drum to pump stator	1	85-87	35616-32010	75404
A48	Thrust washer	direct clutch drum to pump stator	1	88-01	96057150	75404A
C49	Thrust washer	direct drum to forward housing	1	85-87	96053996	75405
C49	Thrust washer	direct drum to forward housing	1	88-01	96057151	75405A
E51	Thrust washer	planetary (front and rear)	2	85-01	96053943	75401
PUMP PARTS AND PUMPS						
A70	Pump, complete	MX17/A210	1	85-87	91172175	75920-R
A70	Pump, assembly (complete)	MX17/A210	1	88-01	96057143	75200M-R
A73	Shaft, pump stator	press in	1	85-01	35104-32010	75969
HARD PARTS						
B74	Drum, direct clutch	MX17/A210	1	85-87	96053993	75921G-R
B74	Drum, direct clutch	MX17/A210	1	88-01	96057146	75921E-R
C81	Housing, forward w/input shaft	MX17/A210	1	85-01	91171212	75922B-R
D88	Planetary, front	MX17/A210	1	85-01	96053934	75925-R
E93	Planetary, rear	MX17/A210	1	85-01	96053942	75748-R
ELECTRICAL COMPONENTS						
n/i	Solenoid	2nd clutch	1	85-01	91173730	5A-177
n/i	Solenoid	direct clutch	1	85-01	91173731	5A-195
SPRAGS						
E92	Sprag (20 elements)	low/reverse	1	85-01	96054031	75926
NOTES						



**Add Some Muscle
to Your
Rebuilds ...**

**Muscle MT-10...
"The Original" Metal Treatment™**

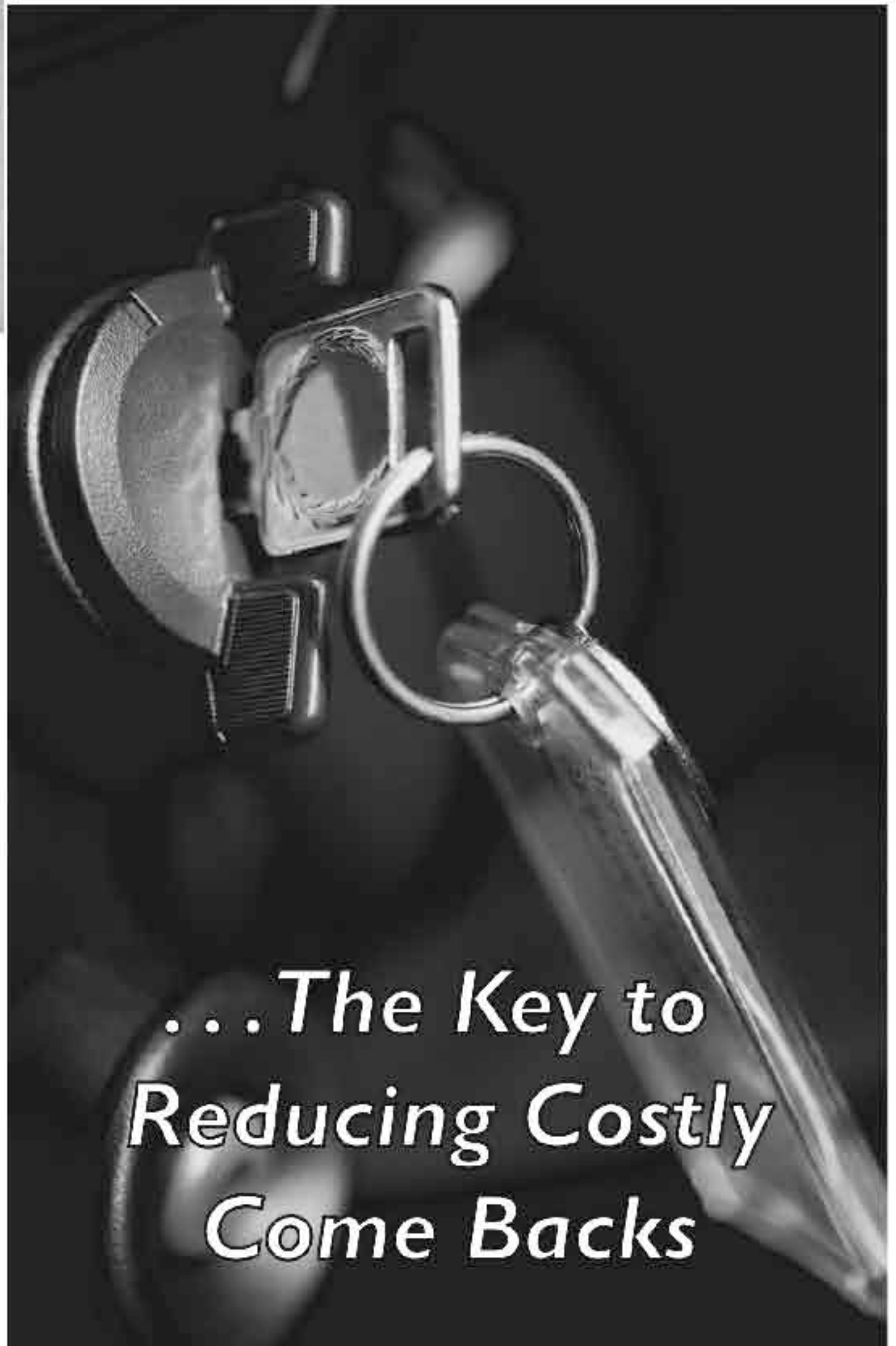
- ✓ Lowers Operating Temperatures
- ✓ Frees Valve Body for Optimum Performance
- ✓ Eliminates Governor Hang-Ups Caused by Contamination & Surface Spiking
- ✓ Keeps Oil Passages, Orifices & Ball Checks Clean & Fully Operational
- ✓ Extends the life of the Transmission by Eliminating Premature Failure with Improved Lubrication
- ✓ Reduces Metal Particle Fallout & Debris Caused by Friction & Wear
- ✓ Removes Varnish Buildup
- ✓ Nearly Eliminates Lock-Up Chatter in the Torque Converter
- ✓ Insures Proper Shifts

**Muscle Products Corp.
"The Strength in Lubrication"®**

752 Kilgore Road
Jackson Center, PA 16133 U.S.A.
Phone: 800-227-7049
814-786-0166
Fax: 814-786-7321
Web Site: www.mpclubricants.com
Email: sales@mpclubricants.com



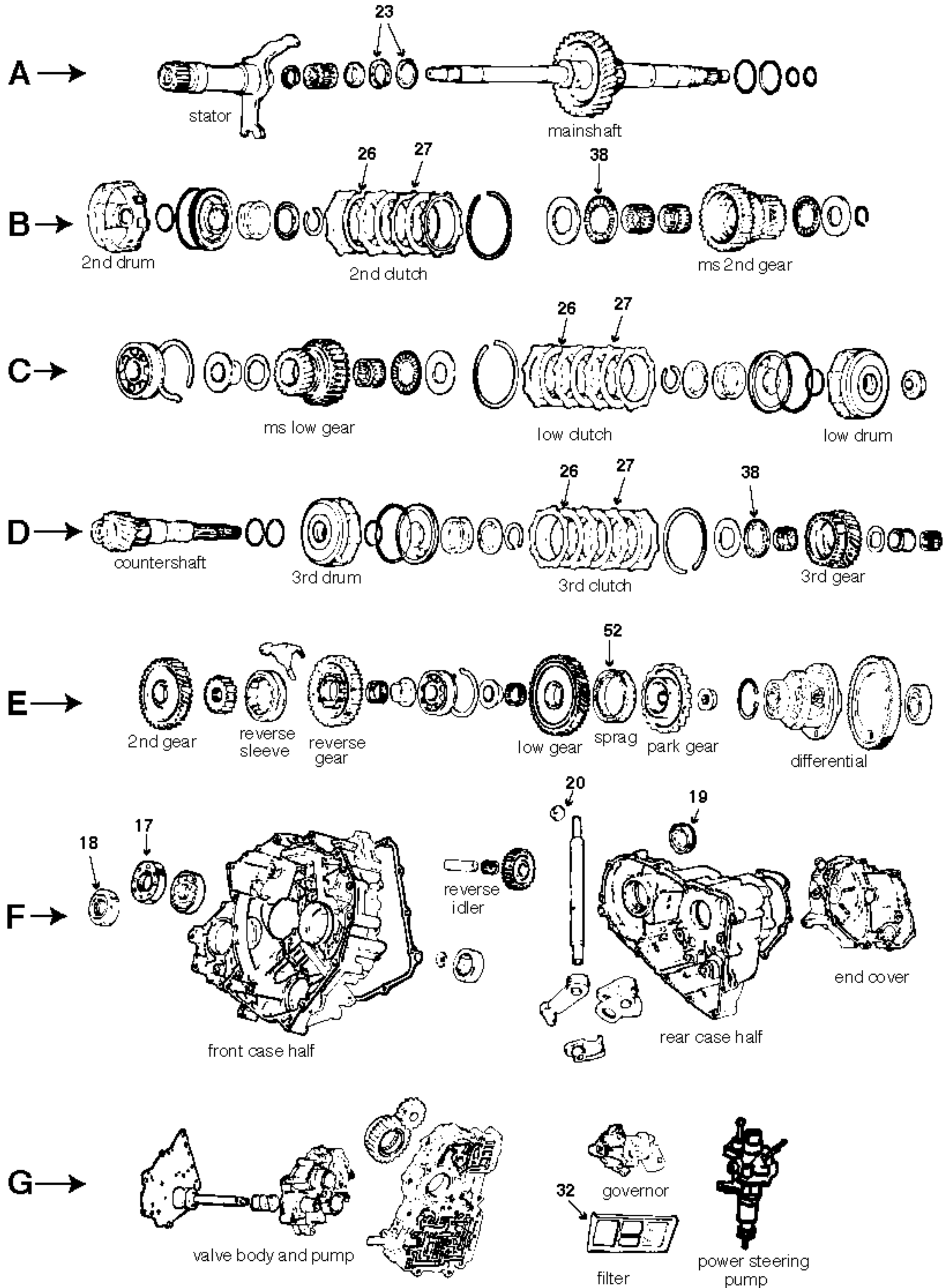
**Serving
transmission
specialists
since 1986**



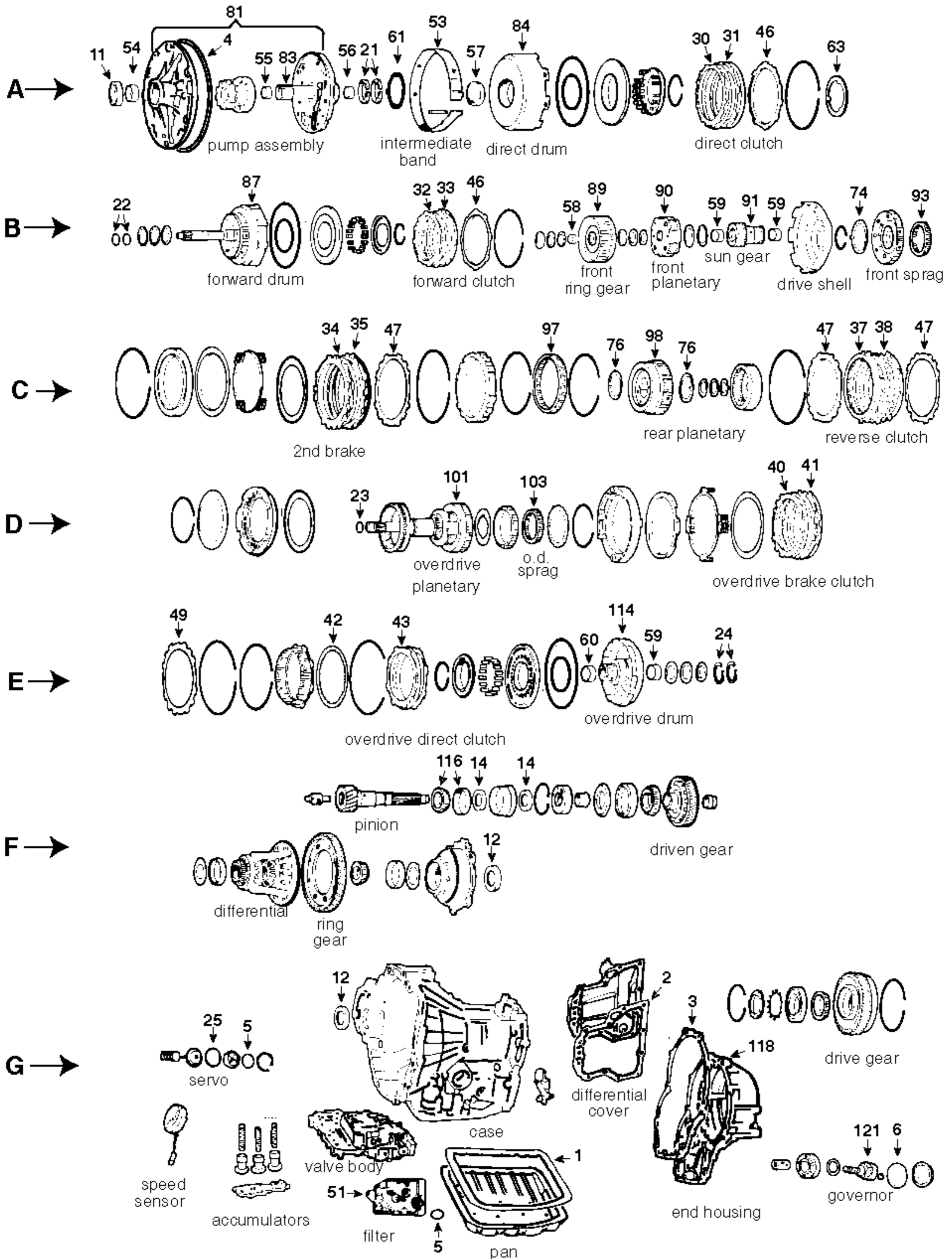
**...The Key to
Reducing Costly
Come Backs**

Honda 3-Speed

Honda 3-Speed



Honda 3-speed
50000C



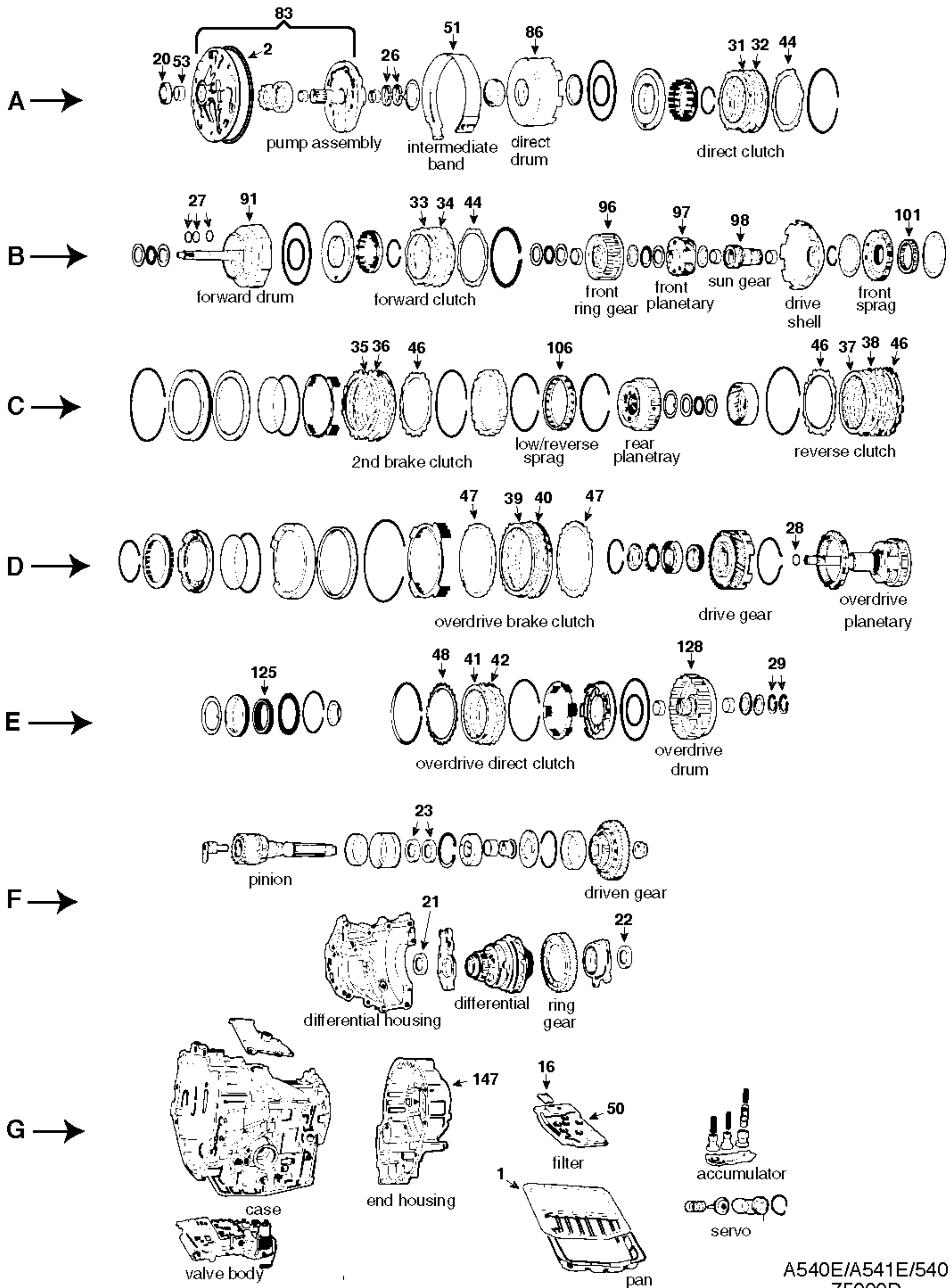
A140E/A141E
75000/E

ILL	DESCRIPTION	QTY	YEAR	REFERENCE #	PART #
TECHNICAL MANUALS					
K53	Tech manual Toyota A140 dis/assembly diagnosis/troubleshooting	1	83-01	83-TOY140TM	010-406
REBUILDER KITS					
K4	Master deluxe rebuild kit A140E	1	83-86	AE	K7500-R
K4	Master deluxe rebuild kit A140E/L	1	86-01	AE	K7500E-R
K5	Master kit w/steels A140E	1	83-86	AE	K7500
K5	Master kit w/steels A140E/L	1	86-01	AE	K7500E
K6	Master kit w/o steels A140E	1	83-86	AE	K7500-LS
K6	Master kit w/o steels A140E/L	1	86-01	AE	K7500E-LS
K7	O/H gasket set w/seals-rings A140E/L	1	83-01	AE	K75900
GASKETS AND RUBBER COMPONENTS					
K13	Gasket, valve body set A140E/A141E	1	83-01	4836	13468
G1	Gasket, oil pan neoprene/cork	1	83-01	35168-32010	13470X
G1	Gasket, oil pan Duraprene®	1	83-01	35168-32010F	13470D
G2	Gasket, differential cover A130	1	83-01	41182-32010	23001
G2	Gasket, differential cover A131	1	83-01	41182-12010	23002
G3	Gasket end housing to case	1	83-86	35144-12010	13472
G3	Gasket end housing to case	1	86-91	34112-20010	13472A
G3	Gasket end housing to case	1	91-01	34112-33010	13472B
A4	O'ring pump body	1	83-01	90301-99024	13471
G5	Gasket 1.125" id filter	1	83-01	35339-32010	13474
G5	O'ring servo cover	2	83-01	90301-41002	23014
G6	O'ring governor cover	1	83-01	90301-67001	23013
n/i	O'ring filler tube/throttle cable	2	83-01	90301-09173	13103
n/i	O'ring speedo	1	83-01	96711-24018	23879
n/i	Seal case halves	2	83-01	35148-16010	23021
n/i	Seal 2nd clutch (feed)	1	83-01	32159-32011	23022
n/i	Ball, check .250" od (viton) valve body	1	83-01	35496-22030	13924
n/i	Ball, check .218" od (viton) valve body	5	83-01	35495-22010	13923
METAL CLAD SEALS					
A11	Seal, metal clad front	1	83-01	90311-38020	46200
FG12	Seal, metal clad 55x35x9mm (not in kit) axle	2	83-01	90311-35019	75201A
FG12	Seal, metal clad 54x35x9mm axle	2	86-01	90311-34007	75201B
F14	Seal, metal clad differential/pinion shaft	2	83-01	90311-34003	75203
n/i	Seal, metal clad 12x22x7mm manual lever shaft	1	83-01	90311-12002	46202
n/i	Seal, metal clad "S" type speedo driven gear	1	83-01	90310-09001	46203
SEALING RINGS					
K10	Kit, sealing ring A140E/L	1	83-01	AE	K75300
A21	Ring, sealing (teflon) 2.050" od stator shaft	2	83-01	35617-32010	75300T
B22	Ring, sealing (teflon) input shaft	2	83-01	35712-32010	75301T
D23	Ring, sealing (teflon) overdrive intermediate shaft	1	83-01	35748-32010	75305T
E24	Ring, sealing (metal) overdrive direct clutch drum	2	83-01	35617-16010	62301
G25	Ring, sealing (teflon) 2nd coast brake piston	1	83-01	35865-32010t	75302T
CLUTCH PLATES					
A30	Friction .067" 4.971" od 40T direct clutch	3	83-86	35633-32050	75100
A30	Friction .075" 4.970" od 40T direct clutch	3/4	86-01	35633-32031	75113
A31	Steel .071" 4.138" id 8T direct clutch	3/4	83-01	35634-32020	75101
B32	Friction .067" 4.971" od 40T forward clutch	4	83-01	35633-10020	75100
B33	Steel .071" 4.138" id 8T forward clutch	4	83-01	35634-32020	75101
C34	Friction .067" 5.590" od 33T (thin paper) 2nd brake clutch	3	83-86	35677-32040	75102
C34	Friction .075" 5.589" od 33T (grooved) 2nd brake clutch	3	86-01	35677-32050	75102A
C35	Steel .071" 4.580" id 12T 2nd brake clutch	3/4	83-01	35648-32010	75103
C37	Friction .067" 5.590" od 33T (thin paper) 1st/reverse brake clutch	6	83-01	35648-32020	75102
C38	Steel .071" 4.580" id 12T (narrow spline) 1st/reverse brake clutch	5	83-01	35648-32020	75105

A140E•A141E

A140E•A141E

ILL	DESCRIPTION		QTY	YEAR	REFERENCE #	PART #
CLUTCH PLATES (CONTINUED)						
D40	Friction .067" 5.590" od 33T (thin paper)	overdrive brake clutch	2/3	83-86	35677-32040	75102
D40	Friction .075" 6.483" od 24T	overdrive brake clutch	3	86-01	35677-20010	75102B
D41	Steel .071" 4.580" id 12T (narrow spline)	overdrive brake clutch	3/4	83-86	35648-32020	75105
D41	Steel .071" 5.6" id 12T	overdrive brake clutch (exc 91-Up Camry)	4	86-01	35648-20010	75105A
D41	Steel .098" 5.636" id 12T (not in kit)	Camry (overdrive brake clutch)	3	91-01	35648-32040	75120
E42	Friction .067" 4.971" od 40T	overdrive direct clutch	2	83-86	35633-32011	75100
E42	Friction .075" 4.971" od 40T	overdrive direct clutch	2	86-01	35633-20010	75100A
E43	Steel .071" 4.138" id 8T	overdrive direct clutch	2	83-86	35634-32010	75101
E43	Steel .071" 4.140" id 20T (not in kit)	overdrive direct clutch	3	86-01	35634-20010	75101A
PRESSURE PLATES						
AB46	Pressure plate .102" 2.6mm	forward/direct clutch	sel	83-01	35675-32030	75716-R
AB46	Pressure plate .110" 2.8mm	forward/direct clutch	sel	83-01	35675-17010	75716A-R
AB46	Pressure plate .118" 3.0mm	forward/direct clutch	sel	83-01	35675-32010	75716B-R
AB46	Pressure plate .126" 3.2mm	forward/direct clutch	sel	83-01	35675-12010	75716C-R
AB46	Pressure plate .130" 3.3mm	forward/direct clutch	sel	83-01	35675-32030	75716D-R
C47	Pressure plate .110" 2.8mm	2nd brake/1st/reverse brake clutch	1/3	83-01	35676-12030	75714-R
E49	Pressure plate	overdrive brake clutch	1	83-86	35625-32010	75713-R
E49	Pressure plate .150" 3.8mm	overdrive brake clutch	1	86-01	35676-20010	75713A-R
FILTERS						
K9	Kit, filter	neoprene/cork	1	83-85	AE	FK75800
G51	Filter	A140E/L	1	83-85	35330-32020	75800
BANDS						
A53	Band, flex	2nd coast brake	1	83-01	35810-32020	75700
BUSHINGS						
K13	Kit, bushing	A140E/L	1	83-01	AE	K75901
A54	Bushing	pump body	1	83-01	n/a	46001
A55	Bushing 17mm 21.561mm bore	stator (front)	1	83-01	n/a	46007A
A56	Bushing	stator (rear)	1	83-01	n/a	75002
A57	Bushing	direct drum	1	83-01	n/a	75000
B58	Bushing	ring gear flange (input hub)	1	83-01	n/a	75006
BE59	Bushing	front sungear/overdrive sungear	2	83-01	n/a	75005
E60	Bushing	overdrive sungear (front)	1	83-01	n/a	75005A
WASHERS/BEARINGS/RACES/SHIMS						
A61	Thrust washer	direct drum to pump stator	1	83-01	35616-32010	75404
A63	Thrust washer	direct drum to forward drum	1	83-01	35616-32021	75405
B74	Thrust washer	drive shell to intermediate sprag	1	83-01	35739-32011	75402
C76	Thrust washer	rear planetary (front/rear)	2	83-01	35738-12010	75401
PUMP PARTS AND PUMPS						
A81	Pump, complete	A140E/L	1	83-01		75920-R
A83	Shaft, pump stator	press in	1	83-01	35370-32031	75969
HARD PARTS						
A84	Drum, direct clutch	2 clutch	1	83-01	35605-32020	75921-R
A84	Drum, direct clutch	3 clutch	1	83-01	35605-32031	75921A-R
B87	Housing, forward w/input shaft	3 clutch	1	83-01	35701-32010	75922-R
B87	Housing, forward w/input shaft	4 clutch	1	83-01	35701-32021	75922A-R
B89	Gear, ring	front planetary	1	83-01	35743-32020	75940-R
B90	Planetary, front	A140E/L	1	83-01	35720-32010	75925-R
B91	Gear, sun	forward	1	83-01	35706-32030	75924-R
C98	Planetary, rear	A140E/L	1	83-01	35760-32010	75748-R
D101	Planetary, overdrive	A140E/L	1	83-86	34710-32040	75927-R
E114	Drum, overdrive direct clutch	8T steels/27T sungear	1	83-86	34601-32011	75935-R
E114	Drum, overdrive direct clutch	20T steels/27T sungear	1	87-01	34601-20010	75935A-R
F116	Bearing, cup and cone	cup/cone	1	83-01	90366-35090	90366-35013



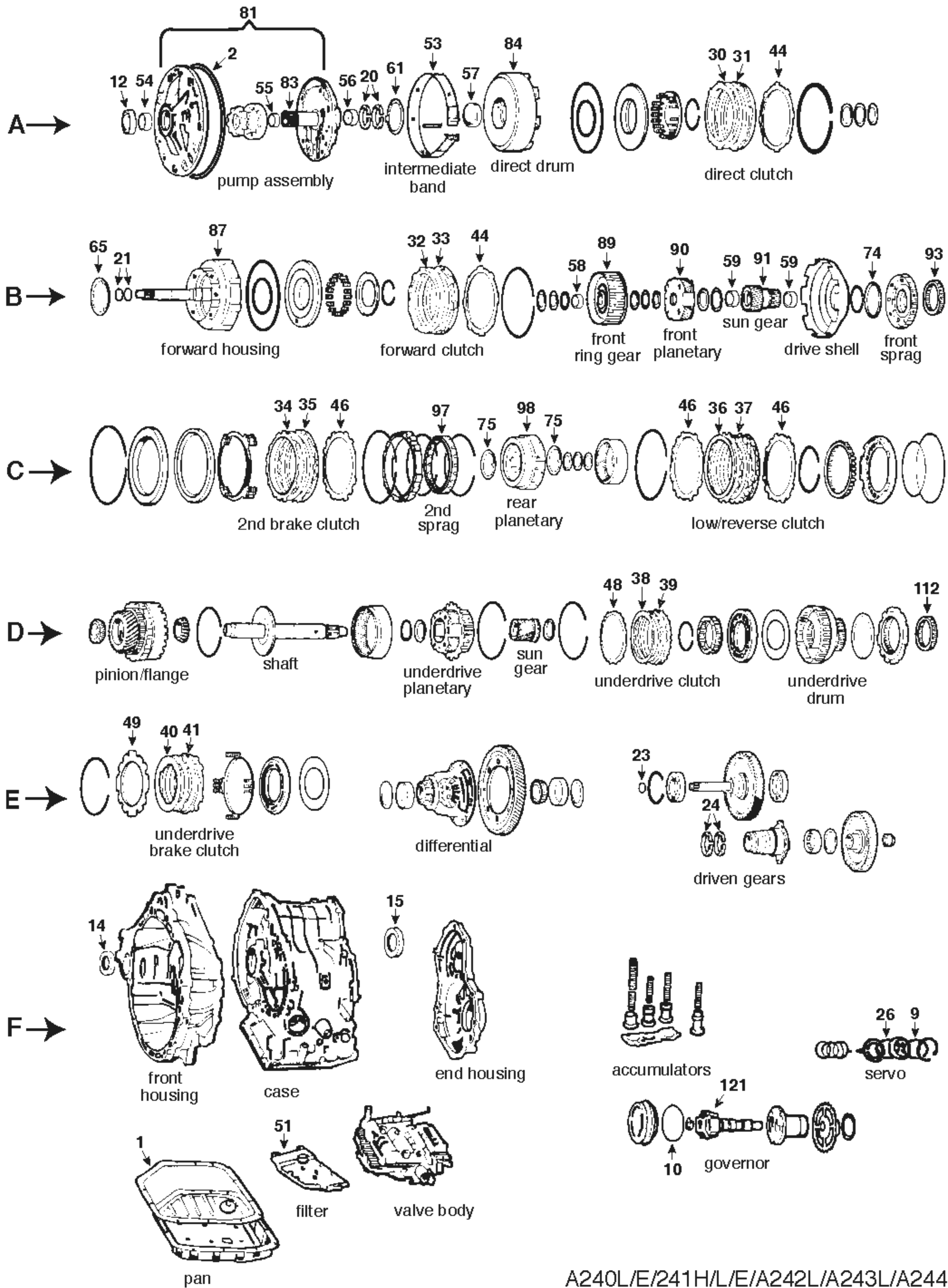
A540E/A541E/540
75000D

ILL	DESCRIPTION	QTY	YEAR	REFERENCE #	PART #
TECHNICAL MANUALS					
K53	Tech manual Toyota A540E dis/assembly diagnosis/troubleshooting	1	88-03	83-TOY540TM	010-403
REBUILDER KITS					
K5	Master kit w/steels A540E	1	88-91	AE	K7500D
K5	Master kit w/steels A540E	1	92-93	AE	K7500C
K5	Master kit w/steels A541E	1	94-05	AE	K7500G
K5	Master kit w/steels A540H	1	89-99	AE	K7500J
K6	Master kit w/o steels A540E	1	88-91	AE	K7500D-LS
K6	Master kit w/o steels A540E	1	92-93	AE	K7500C-LS
K6	Master kit w/o steels A541E	1	94-05	AE	K7500G-LS
K6	Master kit w/o steels A540H	1	89-99	AE	K7500J-LS
K7	O/H gasket set w/seals-rings A540E/H	1	88-99	AE	K75900D
K7	O/H gasket set w/seals-rings A541E	1	94-05	AE	K75900G
	O/H gasket set transfer case	1	89-92	AE	K105-945
VALVE BODY KITS					
K15	Valve Body Calibration System 540E (cooler flow/shift concerns)	1	88-93	TL-540E	G75908D
GASKETS AND RUBBER COMPONENTS					
G1	Gasket, oil pan A540E/H (neoprene/cork)	1	88-99	35168-32020	13136X
G1	Gasket, oil pan A540E/H (Duraprene®)	1	88-99	35168-32020f	13136D
G1	Gasket, oil pan A541E (neoprene/cork)	1	94-05	35168-33010	13139X
G1	Gasket, oil pan A541E (Duraprene®)	1	94-05	35168-33010f	13139D
A2	O'ring pump body to case	1	88-05	90301-99024	13471
G16	Gasket, filter A540E/H	1	88-99	35339-32020	13474C
G16	Gasket, filter A541E	1	94-05	35339-33010	13474D
n/i	Seal A540H (differential housing to case)	1	89-99	35145-32020	23035
n/i	Seal end housing to case	1	88-05	35179-32010	23038
n/i	Seal valve body/end housing to case	2/1	88-05	35148-16010	23021
n/i	Seal differential cover to case	1	88-05	35148-12010	23036
METAL CLAD SEALS					
A20	Seal, metal clad front	1	88-05	90311-38020	46200
F21	Seal, metal clad right axle	1	88-05	90311-40010	75204
F22	Seal, metal clad left axle	1	88-05	90311-50011	75205
F22	Seal, metal clad (not in kit) left axle (AWD)	1	89-92	90311-44004	75201E
F23	Seal, metal clad differential pinion	2	88-05		75206
n/i	Seal, metal clad 12x22x7mm manual lever shaft	1	88-05	90311-12002	46202
n/i	Seal, metal clad "S" type speedo driven gear	1	88-05	90310-09001	46203
SEALING RINGS					
K10	Kit, sealing ring A540E/H	1	88-99	AE	K75300D
K10	Kit, sealing ring A541E	1	94-05	AE	K75300E
A26	Ring, sealing (teflon) 2.050" od stator	2	88-05	35617-22011	75300T
B27	Ring, sealing (teflon) input shaft	2/3	88-05	35712-32010	75301T
D28	Ring, sealing (teflon) overdrive intermediate shaft	1	88-05	35748-32010	75305T
E29	Ring, sealing (metal) overdrive direct clutch	2	88-05	35617-16010	62301
n/i	Ring, sealing (teflon) A540E/H (2nd coast brake servo piston)	1	88-99	35865-32031/	75308T
n/i	Ring, sealing (teflon) A541E (2nd coast brake servo piston)	1	94-05	35865-33010	75309T
CLUTCH PLATES					
A31	Friction .067" 4.971" od 40T A540H (direct clutch)	3	88-05	35633-32020	75100
A31	Friction .081" 5.171" 32T direct clutch (replaces 40T)	3	88-91	35667-30020	75114
A31	Friction .083" 5.171" od 40T direct clutch	4	92-05	35633-33040	75144
A32	Steel .071" 4.138" id 8T A540H (direct clutch)	3	88-05	35634-32010	75101
A32	Steel .091" 4.127" id 6T direct clutch	2	88-91	35677-30011	54124
A32	Steel .071" 4.127" id 6T direct clutch	1	88-91	35634-32020	75137
A32	Steel .079" 4.152" id 6T A540E/541E (direct clutch)	2/3	92-05	35647-33020	75139
A32	Steel .055" 4.152" id 6T A540E/541E (direct clutch)	1	92-05	35634-33030	75134

A540E•A541E•540

A540E•A541E

ILL	DESCRIPTION	QTY	YEAR	REFERENCE #	PART #
CLUTCH PLATES (CONTINUED)					
B33	Friction .067" 4.971" od 40T direct clutch (RAV4 1996-1999)	4	88-91	35633-32050	75100
B33	Friction .060" 4.971" od 40T forward clutch (except above)	5	92-05	35633-33010	75130
B34	Steel .071" 4.138" id 8T direct clutch (RAV4 1996-1999)	4	88-91	35634-32020	75101
B34	Steel .063" 4.138" id 8T forward clutch (Toyota/Lexus 7/93-Up)	4	92-05	35634-33010	75131
B34	Steel .055" 4.138" id 8T forward clutch 92-6/93 (5)/7/93-Up (1)	1/5	92-05	35634-33020	75132
B34	Steel .079" 4.138" id 8T A541E (forward clutch)	5	88-05	35634-30100	54109
C35	Friction .075" 5.589" od 33T (grooved) intermediate clutch (RAV4 1996-1999)	3	94-05	35677-32050	75102A
C35	Friction .075" 5.589" od 33T (smooth) intermediate clutch	3	92-94	35677-33020	75136
C35	Friction .075" 5.830" od 36T A541E (intermediate clutch)	4	94-05	35677-33050	75138
C36	Steel .071" 4.580" id 12T A540H (intermediate clutch)	3	88-05	35648-32010	75103
C36	Steel .071" 4.580" id 12T intermediate clutch	3	88-05	35648-32030	75119
C36	Steel .071" 4.863" id 10T A541E (intermediate clutch)	4	94-05	35648-33010	75141
C37	Friction .059" 5.589" od 33T low/reverse clutch (RAV4 1996-1999)	6/7	88-05	35677-32060	75102C
C37	Friction .059" 5.830" od 36T A541E (low/reverse clutch)	6	94-05	35677-33040	75142
C38	Steel .071" 4.580" id 12T (narrow spline) low/reverse clutch (RAV4 1996-1999)	6/7	88-05	35648-32020	75105
C38	Steel .063" 4.864" id 10T A541E (low/reverse clutch)	6	94-05	35648-33020	75143
D39	Friction .081" 6.483" od 24T (grooved) overdrive brake clutch	3	88-91	35677-32070	75116
D39	Friction .081" 6.483" od 24T (smooth) overdrive brake clutch (RAV4 1996-1999)	3	92-93	35677-33010	75135
D39	Friction .075" 6.483" od 24T overdrive brake clutch	3	94-05	35677-33030	75102B
D40	Steel .098" 5.636" id 12T (not in kit) overdrive brake clutch	3	88-05	35648-32040	75120
E41	Friction .075" 4.971" od 40T overdrive direct clutch	2/3	88-05	35677-50010	75100A
E42	Steel .071" 4.140" id 20T (not in kit) overdrive direct clutch	2/3	88-88	35634-20010	75101A
E42	Steel .118" 4.127" id 24T overdrive direct clutch (89-93(2) 94-05(1))	1/2	89-05	34615-20010	54112
E42	Steel .078" 4.128" id 24T overdrive direct clutch	1	94-05	34615-33030	75145
n/i	Friction .071" 4.508" od 36T (not in kit) differential 4WD lock clutch	11	89-00	41475-32010	75109
n/i	Steel .063" 3.561" id 30T (not in kit) differential 4WD lock clutch	11	89-00	41474-32011	75121
PRESSURE PLATES					
A44	Pressure plate .120" 3.0mm 6T direct clutch	1	88-05		54135-R
B44	Pressure plate .102" 2.6mm forward clutch	sel	88-05	35675-32030	75716-R
B44	Pressure plate .110" 2.8mm forward clutch	sel	88-05	35675-17010	75716A-R
B44	Pressure plate .118" 3.0mm forward clutch	sel	88-05	35675-32010	75716B-R
B44	Pressure plate .126" 3.2mm forward clutch	sel	88-05	35675-12010	75716C-R
B44	Pressure plate .130" 3.3mm forward clutch	sel	88-05	35675-32030	75716D-R
C46	Pressure plate .110" 2.8mm 2nd brake (1)/1st/reverse brake (2)	1/3	88-93	35676-12030	75714-R
C46	Pressure plate .145" 3.7mm 2nd brake (1)/1st/reverse brake (2)	1/3	94-05		75714D-R
D47	Pressure plate .150" 3.8mm overdrive brake clutch	2	88-05		75713A-R
E48	Pressure plate .143" overdrive direct clutch	1	89-05		75715-R
FILTERS					
K9	Kit, filter A540E/H (neoprene/cork)	1	88-99	AE	FK75800C
K9	Kit, filter A540E/H (Duraprene®)	1	88-99	AE	DK75800C
K9	Kit, filter A541E (neoprene/cork)	1	94-05	AE	FK75800F
K9	Kit, filter A541E (Duraprene®)	1	94-05	AE	DK75800F
G50	Filter A540E/H	1	88-99	35330-32030	75800C
G50	Filter A541E	1	94-05	35330-33030	75800F
BANDS					
A51	Band, flex 1.215" wide A540E (intermediate/2nd coast brake)	1	88-93	35810-32030	75700A
A51	Band, flex A540H (intermediate/2nd coast brake)	1	89-99	35810-32040	75700B
A51	Band, flex A541E (intermediate/2nd coast brake)	1	94-05	35810-33010	75700C
BUSHINGS					
K13	Kit, bushing A540E/H/A541E	1	88-05	AE	K75901D
A53	Bushing pump body	1	88-05		46001



A240L/E/241H/L/E/A242L/A243L/A244E
75000A

ILL	DESCRIPTION		QTY	YEAR	REFERENCE #	PART #
REBUILDER KITS						
K4	Master deluxe rebuild kit	A240L/A241L/A242L/A243L	1	85-99	AE	K7500A-R
K5	Master kit w/steels	A240L/A241L/A242L/A243L	1	85-99	AE	K7500A
K6	Master kit w/o steels	A240L/A241L/A242L/A243L	1	85-99	AE	K7500A-LS
K7	O/H gasket w/seals-rings	A240L/A241L/A242L/A243L	1	85-99	AE	K75900A
K11	Gasket and seal kit	A240L/A241L/A242L/A243L	1	85-99	AE	K75900A-1
GASKETS AND RUBBER COMPONENTS						
F1	Gasket, oil pan	neoprene/cork	1	85-99	35168-12020	13470AX
F1	Gasket, oil pan	Duraprene®	1	85-99	35168-12020f	13470AD
A2	O'ring	pump body	1	85-99	90301-99024	13471
F9	O'ring	servo cover	2	85-99	90301-41002	23014
F10	O'ring	governor cover	1	85-99	90301-68001	23013
n/i	Gasket	filter	1	85-99	35339-12010	13474A
n/i	O'ring	filler tube and throttle cable	2	85-99	90301-09173	13103
n/i	O'ring	speedo sleeve	1	85-99	96711-24030	23010
METAL CLAD SEALS						
A12	Seal, metal clad	front	1	85-99	90311-38020	46200
F14	Seal, metal clad 54x35x9mm	axle shaft (gas only)	1	85-99	90311-34012	75201B
F14	Seal, metal clad 55x35x9mm (not in kit)	axle shaft (diesel only)	1	85-99	90311-35019	75201A
F14	Seal, metal clad (not in kit)	axle right (AWD)	1	88-92	90311-44004	75201E
F15	Seal, metal clad 63x34x9mm	axle left (A240L/E/A244E)	1	85-99	90311-34013	75201C
F15	Seal, metal clad 63x35x9mm	axle left (A241L/E/A243L)	1	85-99	90311-35020	75201F
n/i	Seal, metal clad 12x22x7mm	manual lever shaft	1	85-99	90311-12002	46202
n/i	Seal, metal clad	speedo gear shaft	1	85-99	90310-09001	46203
SEALING RINGS						
K10	Kit, sealing ring	teflon	1	85-99	AE	K75300
A20	Ring, sealing (teflon) 2.050" od	stator support	2	85-99	35617-22011	75300T
A21	Ring, sealing (teflon)	input shaft	2/3	85-99	35712-32010	75301T
E23	Ring, sealing (teflon)	intermediate shaft/output	1	85-99	35748-32010	75305T
E24	Ring, sealing (metal)	stator support	2	85-99	35617-16010	62301
F26	Ring, sealing (teflon)	2nd coast servo	1	85-99	35865-32010	75302T
CLUTCH PLATES						
A30	Friction .067" 4.971" od 40T	direct clutch	2/3	85-99	35633-20031	75100
A30	Friction .075" 4.970" od 40T	direct clutch	2/3	87-95	35633-33070	75113
A30	Friction .075" 4.971" od 40T	direct clutch	2/3	93-99	35633-12050	75100A
A31	Steel .071" 4.138" id 8T	direct clutch	3	85-99	35634-32020	75101
B32	Friction .067" 4.971" od 40T	forward clutch	3/4	85-99	5633-32010	75100
B33	Steel .071" 4.138" id 8T	forward clutch	3/4	85-99	35634-32020	75101
C34	Friction .075" 5.589" od 33T (grooved)	2nd brake clutch	3	85-99	35677-32050	75102A
C34	Friction .067" 5.590" od 33T (thin paper)	overdrive brake	3	87-91	35677-20020	75102
C35	Steel .071" 4.580" id 12T	2nd brake clutch	3	85-99	34648-32010	75103
C36	Friction .067" 5.590" od 33T (thin paper)	1st/reverse brake clutch	6	85-92	35677-32030	75102
C36	Friction .075" 5.595" od 33T (wide paper)	1st/reverse brake clutch	6	93-99	35677-12070	75102D
C37	Steel .071" 4.580" id 12T (narrow spline)	1st/reverse brake clutch	6	85-99	35648-32020	75105
D38	Friction .075" 4.255" od 34T (not in kit)	underdrive direct clutch	3/4	85-99	34361-12010	75106
D39	Steel .071" 3.570" id 20T (not in kit)	underdrive direct clutch	3/4	85-99	34263-12010	75107
E40	Friction .067" 4.3" od 26T (wide paper)	underdrive brake clutch	3	85-99	94844916	75106A
E40	Friction .067" 4.255" od 26T (thin paper)	underdrive brake clutch	3	93-99	34262-12030	75106B
E41	Steel .071" 3.2" id 8T	underdrive brake clutch	3	85-99	34264-12010	75107A
n/i	Friction .075" 4.255" od 34T (not in kit)	AWD	7	88-92	41475-12010	75106
n/i	Steel .071" 3.570" id 20T (not in kit)	AWD	8	88-92	41494-12010	75107

A240•240•A241E•A242E•A243E•A244E

A240•A241E•A242E•A243E•A244E

ILL	DESCRIPTION		QTY	YEAR	REFERENCE #	PART #
PRESSURE PLATES						
AB44	Pressure plate .102" 2.6mm	forward/direct clutch	sel	85-99	35675-32030	75716-R
AB44	Pressure plate .110" 2.8mm	forward/direct clutch	sel	85-99	35675-17010	75716A-R
AB44	Pressure plate .118" 3.0mm	forward/direct clutch	sel	85-99	35675-32010	75716B-R
AB44	Pressure plate .126" 3.2mm	forward/direct clutch	sel	85-99	35675-12010	75716C-R
AB44	Pressure plate .130" 3.3mm	forward/direct clutch	sel	85-99	35675-32030	75716D-R
C46	Pressure plate .110" 2.8mm	2nd brake (1) 1st/reverse brake (2)	1/3	85-99	35676-12030	75714-R
D48	Pressure plate .080" 2.04mm	underdrive direct	1	85-99	34265-12030	75717C-R
E49	Pressure Plate	underdrive brake	1	85-99	34266-12010	75717D-R
FILTERS						
K9	Kit, filter (except below)	neoprene/cork	1	85-99	AE	FK75800A
K9	Kit, filter (except below)	Duraprene®	1	85-99	AE	DK75800A
F51	Filter	A240L/A241L	1	85-99	35330-12011	75800A
BANDS						
A53	Band, flex	2nd coast brake	1	85-99	35810-32020	75700
BUSHINGS						
K13	Kit, bushing	A240L/A241E	1	85-99	AE	K75901
A54	Bushing	pump body	1	85-99		46001
A55	Bushing 17mm 21.561mm bore	stator support (front and rear)	1	85-99		46007A
A56	Bushing	stator support rear	1	85-99		75002
A57	Bushing	direct drum	1	85-99		75000
B58	Bushing	ring gear flange (input hub)	1	85-99		75006
B59	Bushing	sun gear	2	85-99		75005
WASHERS/BEARINGS/RACES/SHIMS						
A61	Thrust washer	direct drum to pump stator	1	85-99	35616-32010	75404
B65	Thrust washer	direct drum to forward housing	1	85-99	35616-32021	75405
B74	Thrust washer	drive shell to intermediate sprag	1	85-99	35739-32011	75402
C75	Thrust washer	rear planetary (front and rear)	2	85-99	35738-32010	75401
PUMP PARTS AND PUMPS						
A81	Pump, complete	A240L/A241L	1	85-99	35320-32031	75920-R
A83	Shaft, pump stator	press in	1	85-99	n/a	75969
HARD PARTS						
A84	Drum, direct clutch	3 clutch	1	85-99	35370-32401	75921A-R
B87	Housing, forward w/input shaft	4 clutch	1	85-99	35701-32021	75922C-R
B89	Gear, ring	A240L/A241L	1	85-99	35743-32020	75940-R
B90	Planetary, front	A240L/A241L	1	85-99	35720-32010	75925-R
B91	Gear, sun	A240L/A241L	1	85-99	35706-32030	75924-R
C98	Planetary, rear	A240L/A241L	1	85-99	35760-12020	75748-R
F121	Governor, w/out gear	A240	1	85-99	AE	75410A-R
ELECTRICAL COMPONENTS						
n/i	Solenoid (on/off)	overdrive (hydraulic models only)	1	85-99	85420-10011	5A-175
n/i	Kit, solenoids	A240E/A241E/A244E	1	87-99	52-9001	25A-052
n/i	Solenoid set	A240/A241/244	1	87-99	52-0230	5A-178
n/i	Solenoid	A240E/A241E/244E (shift)	2	87-99	85420-12020	5A-172
n/i	Solenoid	A240E/A241E/A244E (lock-up/TCC)	1	87-99	52-0236	5A-164
SPRAGS						
B93	Sprag (18 elements)	front (intermediate)	1	85-99	35791-30020	46502
C97	Sprag (20 elements)	low/reverse	1	85-99	35792-32011	75926
D112	Sprag	underdrive	1	85-99	34360-12010	75503A
NOTES						

What do Leonardo da Vinci and LUBEGARD have in common?

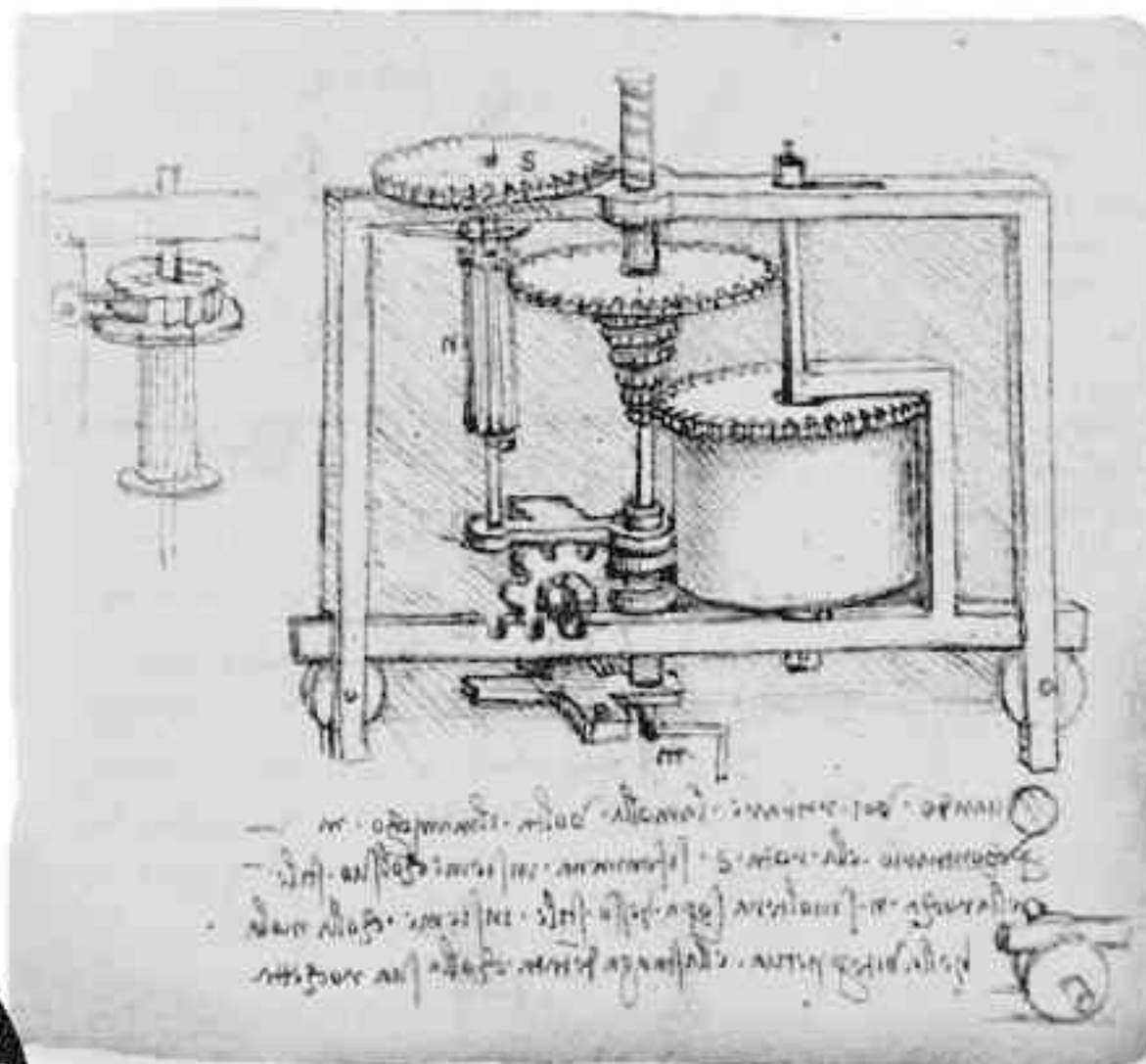
CVT INNOVATION

Most people are unaware that it was Leonardo Da Vinci, in 1490, who conceptualized and engineered the first continuously variable transmission (CVT). Seen on his hand-drawn sketch, it only took a modest 450 years for the CVT to be put into production for modern day vehicles.

One thing that da Vinci certainly could not know, is the overwhelming amount of different boutique and OEM CVT fluids that came with the invention.

That's where LUBEGARD comes in.

LUBEGARD formulated a universal fluid for ALL belt type CVT's (over 80% of CVT's are belt type). Let it be known, that to date, there is **no formula** available by anyone that also properly services the other type of CVT, (often referred to as the chain type CVT), found in many export and foreign autos, regardless of their claims.



Leonardo da Vinci's Variable Transmission System Sketch c.1490

UNIVERSAL CVT FLUID

Ensures Proper Performance Of Any Belt Type CVT Transmission

- Eliminates the need to stock multiple OEM CVT Fluids
- Optimized wear & friction protection
- Premium anti-shudder performance
- Superior oxidation stability

32 FL. OZ. (1 Quart / 946 mL)

LUBEGARD® UNIVERSAL CVT FLUID

- Provides longer anti-shudder performance
- Minimizes friction between belts and pulleys which protects against fatigue damage
- Maintains the performance of a continuously variable transmission by providing excellent wear protection
- Imparts both shear and oxidation stability to the fluid
- Remains fluid at low temperatures for excellent operation in cold weather
- Prevents sludge and varnish build up

Mirror Mirror...

For centuries, Leonardo da Vinci was accused of deliberately obscuring his writings and sketches (as seen above) by writing mirror-style. (Reversed writing that can more easily be read using a mirror).

Researchers now believe da Vinci's reasons for doing so were more practical and less mysterious daVinci was left-handed, and by writing in a usual manner, he risked smudging and smearing the wet ink with the palm of his hand.

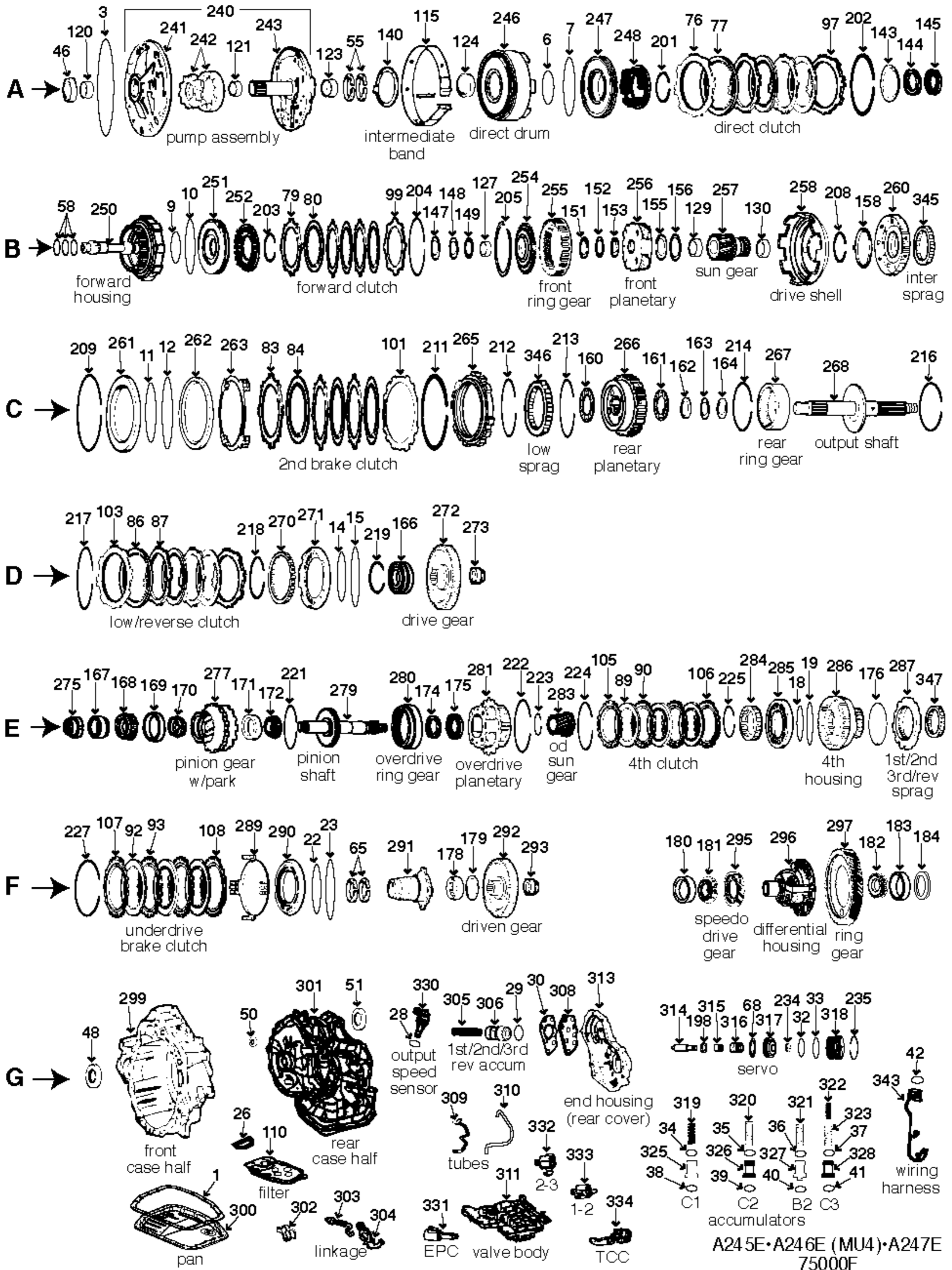
Ask us for a **FREE** copy of our CVT Application Chart. Now with Fill Rates! It is the most comprehensive in the industry.

PN 67032
Also available in five and 55 gallon sizes

CALL US FOR YOUR FREE CVT APPLICATION CHART



INTERNATIONAL LUBRICANTS, INC.
7930 Occidental South ■ Seattle, WA 98108 ■ PO Box 24743 ■ Seattle, WA 98124
206-762-5343 ■ 800-333-LUBE (5823) ■ Fax: 206-762-7989 ■ www.Lubegard.com



A245E•A246E (MU4)•A247E
75000F

ILL	DESCRIPTION	QTY	YEAR	REFERENCE #	PART #	
REBUILDER KITS						
K4	Master deluxe rebuild kit	A245E/A246E/A247E	1	03-08	AE	K7500F-R
K4	Master deluxe rebuild kit	A245E/A246E	1	93-02	AE	K7500K-R
K5	Master kit w/steels	A245E/A246E/A247E	1	03-08	AE	K7500F
K5	Master kit w/steels	A245E/A246E	1	93-02	AE	K7500K
K6	Master kit w/o steels	A245E/A246E/A247E	1	03-08	AE	K7500F-LS
K6	Master kit w/o steels	A245E/A246E	1	93-02	AE	K7500K-LS
K7	O/H gasket w/seals-rings	A245E/A246E/A247E	1	03-08	AE	K75900F
K7	O/H gasket w/seals-rings	A245E/A246E	1	93-02	AE	K75900K
VALVE BODY KITS						
K15	Reprogramming Kit™ A245E	hot rod/street show off	1	93-08	A245E-HD2	A245E-HD2
GASKETS AND RUBBER COMPONENTS						
G1	Gasket, oil pan	neoprene/cork	1	93-02	35168-12030	13480X
G1	Gasket, oil pan	Duraprene®	1	93-02	35168-12030f	13480D
G1	Gasket, oil pan	neoprene/cork	1	03-08	35168-12060	13460X
G1	Gasket, oil pan	Duraprene®	1	03-08	35168-12060f	13460D
A3	O'ring	pump body	1	93-08	90301-99024	13471
G26	Gasket	filter	1	93-08	35339-12020	13474B
G32	O'ring	servo cover	2	93-08	90301-41002	23014
METAL CLAD SEALS						
A46	Seal, metal clad	front	1	93-08	90311-38020	46200
G48	Seal, metal clad 55x35x9mm (not in kit)	axle right	1	93-08	90311-35019	75201A
G48	Seal, metal clad 54x35x9mm	axle right	1	93-08	90311-34012	75201B
G50	Seal, metal clad 12x22x7mm	manual lever shaft	1	93-08	90311-12002	46202
G51	Seal, metal clad 63x34x9mm	axle left	1	93-08	90311-34013	75201C
G51	Seal, metal clad 63x35x9mm	axle left	1	93-08	90311-35020	75201F
SEALING RINGS						
K10	Kit, sealing ring	A245E	1	93-08	n/a	K75300
CLUTCH PLATES						
A76	Steel .071" 4.138" id 8T	direct clutch	2/3	93-08	35634-32020	75101
A77	Friction .075" 4.971" od 40T	direct clutch	2/3	93-08	35633-12050	75100A
B79	Steel .071" 4.138" id 8T	forward clutch	3/4	93-08	35634-32020	75101
B80	Friction .067" 4.971" od 40T	forward clutch	3/4	93-08	35633-20031	75100
C83	Steel .071" 4.580" id 12T	2nd brake clutch	3/4	93-08	34648-32010	75103
C84	Friction .067" 5.590" od 33T (thin paper)	2nd brake clutch	3/4	93-08	35677-20020	75102
C84	Friction .075" 5.589" od 33T (grooved)	2nd brake clutch	3/4	93-08	35677-32050	75102A
D86	Friction .067" 5.590" od 33T (thin paper)	low/reverse clutch	5/6	93-95	35677-20020	75102
D86	Friction .075" 5.595" od 33T (wide paper)	low/reverse clutch	5/6	93-08	35677-12070	75102D
D87	Steel .071" 4.925" id 12T	low/reverse clutch	5/6	93-08	35648-12020	75105B
E89	Friction .075" 4.255" od 34T (not in kit)	4th/underdrive clutch	3/4	93-08	41475-12010	75106
E90	Steel .071" 3.570" id 20T (not in kit)	4th/underdrive clutch	3/4	93-08	41494-12010	75107
F92	Friction .067" 4.255" od 26T (thin paper)	underdrive brake clutch	3	93-08	34262-12030	75106B
F93	Steel .071" 3.430" id 8T	underdrive brake clutch	3	93-08	34264-12020	75107B
PRESSURE PLATES						
A97	Pressure plate .102" 2.6mm	direct clutch	sel	93-08	35675-32030	75716-R
A97	Pressure plate .110" 2.8mm	direct clutch	sel	93-08	35675-17010	75716A-R
A97	Pressure plate .118" 3.0mm	direct clutch	sel	93-08	35675-32010	75716B-R
A97	Pressure plate .126" 3.2mm	direct clutch	sel	93-08	35675-12010	75716C-R
A97	Pressure plate .130" 3.3mm	direct clutch	sel	93-08	35675-32030	75716D-R
B99	Pressure plate .102" 2.6mm	forward clutch	sel	93-08	35675-32030	75716-R
B99	Pressure plate .110" 2.8mm	forward clutch	sel	93-08	35675-17010	75716A-R
B99	Pressure plate .118" 3.0mm	forward clutch	sel	93-08	35675-32010	75716B-R
B99	Pressure plate .126" 3.2mm	forward clutch	sel	93-08	35675-12010	75716C-R
B99	Pressure plate .130" 3.3mm	forward clutch	sel	93-08	35675-32030	75716D-R

A245E•245•A246E (MU4)•246•A247E•247

A245E•A246E•A247E

ILL	DESCRIPTION		QTY	YEAR	REFERENCE #	PART #
FILTERS						
K9	Kit, filter	neoprene/cork	1	93-02	AE	FK75800E
K9	Kit, filter	Duraprene®	1	93-02	AE	DK75800E
K9	Kit, filter	neoprene/cork	1	03-08	AE	FK75800K
K9	Kit, filter	Duraprene®	1	03-08	AE	DK75800K
G110	Filter	A245E	1	93-02	35330-12030	75800E
G110	Filter	A245E	1	03-08	35330-12040	75800K
BANDS						
A115	Band, flex	intermediate/2nd coast brake	1	93-08	35810-32020	75700
BUSHINGS						
K12	Kit, bushing	A245E	1	93-08	n/a	K75901
A54	Bushing	pump body	1	99-08	n/a	46001
A55	Bushing 17mm 21.561mm bore	pump support (front)	1	93-08	n/a	46007A
A56	Bushing	pump support (rear)	1	93-08	n/a	75002
A57	Bushing	direct drum	1	93-08	n/a	75000
B58	Bushing	ring gear flange (input hub)	1	93-08	n/a	75006
B59	Bushing	sun gear	1	93-08	n/a	75005
WASHERS/BEARINGS/RACES/SHIMS						
A140	Thrust washer	direct clutch drum to pump stator	1	93-08	35616-32010	75404
A143	Thrust washer	direct drum to forward housing	1	93-08	35616-32021	75405
B158	Thrust washer	drive shell to intermediate sprag	1	93-08	35739-32011	75402
C160	Thrust washer	rear planetary (front/rear)	1	93-08	35738-32010	75401
PUMP PARTS AND PUMPS						
A240	Pump assembly	A245E	1	93-08	AE	75920F-R
n/i	Shaft, pump stator	press-in	1	93-08	n/a	75969
ELECTRICAL COMPONENTS						
n/i	Kit, solenoid w/mounting bracket	2 shift/1 lock-up/1 SLT	1	02-04	52-0931	25A-058
n/i	Kit, solenoid w/mounting bracket	2 shift/1 lock-up/1 SLT	1	04-08	52-0935	5A-058A
n/i	Kit, solenoid	2 shift/1 lock-up	1	93-08	52-9004	25A-049
n/i	Solenoid	shift 1/shift 2 w/bracket	1	93-08	52-0256	5A-285
G331	Solenoid	SLT/EPC	1	02-03	35290-12020	5A-284
G331	Solenoid	SLT/EPC	1	04-08	35290-12030	5A-284A
G334	Solenoid	lock-up/TCC	1	93-08	52-0236	5A-286
SPRAGS						
B345	Sprag (18 elements)	intermediate clutch	1	93-08	35791-30020	46502
C346	Sprag (20 elements)	reverse	1	93-08	35792-32011	75926
NOTES						

A Great Product Becomes A SUPERIOR Product!



TransLab
TL-175
FIXES:
 2-3 flare, 4-2 neutral, downshift clunks, slips or neutrals in 4th, end clutch failure, slip 1-2 and much more...
PROVIDES:
 shorter shifts, extended clutch and band life, improved cooler flow, lube & lockup operation

Translab became famous for their reliable and effective KM upgrade kits which are all now available from SUPERIOR.

The 175 TransLab Valve Body Upgrade Kit Corrects or Prevents:

- 2-3 Flair
- Coast Downshift Clunks
- End Clutch Failure
- Part Throttle 3-2 Bang
- 4-2 Neutral
- Slips or Neutrals in 4th
- Slide 1-2
- 3rd Gear Starts

Part# STL-175

The 175-6 TransLab Valve Body Upgrade Kit Corrects or Prevents:

- 2-3 Flair
- Slide 1-2
- Part Throttle 3-2 Bang
- Coast 3-2 Clunk
- 4-2 Kick-down Runaway
- Delayed/Soft/Slow N-D Engage
- Delay Reverse
- Mushy 2-3

Part# STL-175-6

The 175-HP TransLab Valve Body Upgrade Kit Corrects or Prevents:

- 2-3 Flair
- Coast Downshift Clunks
- Long Soft Slide Shifts
- Part Throttle 3-2 Bang
- Hits Rev Limiter at Full Throttle (Driver must Lift Foot to get 2-3 Shift)
- Slide 1-2
- 3rd Gear Starts

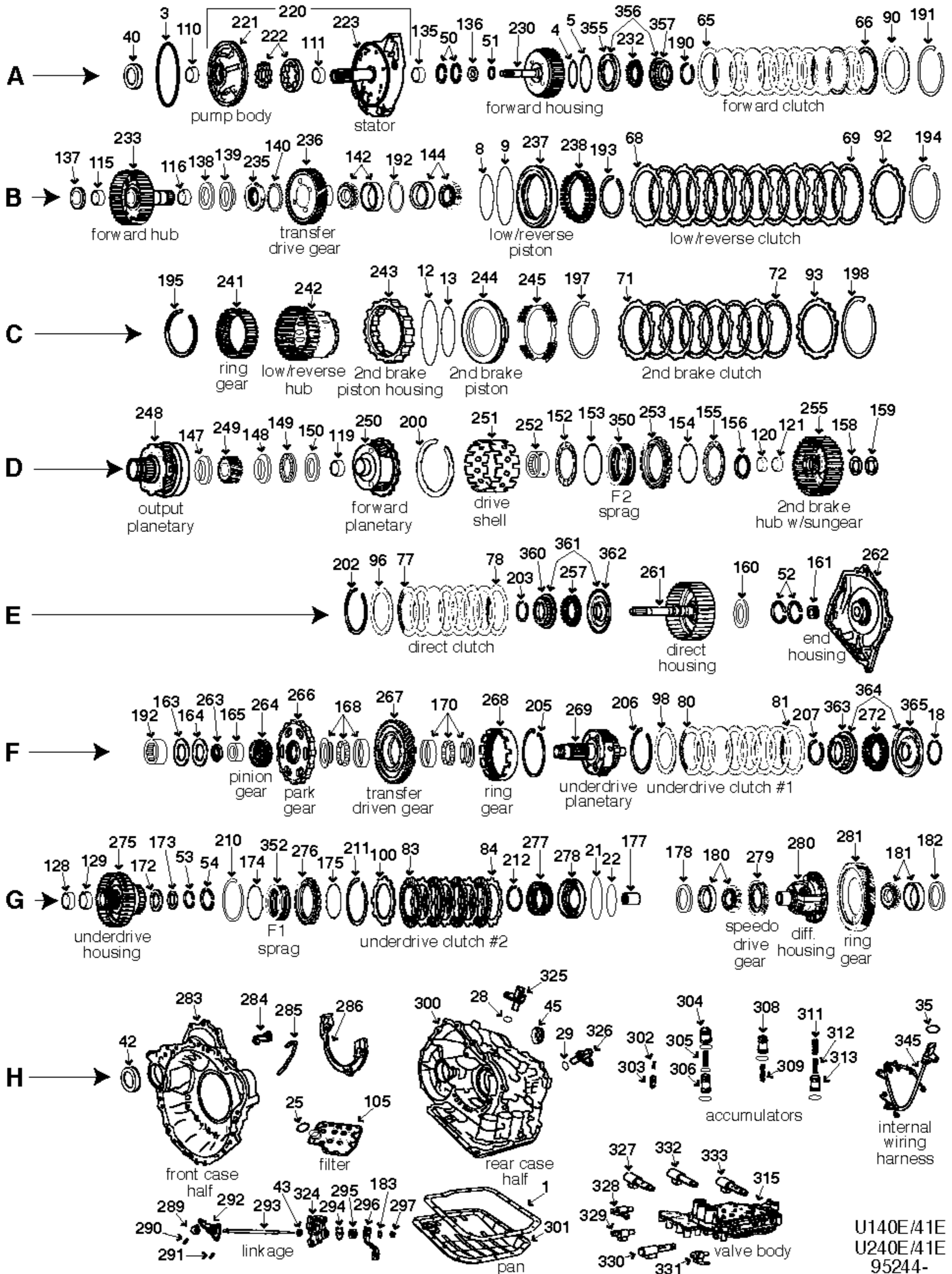
Part# STL-175-HP

Try The Other Great Translab Products By Superior
 STL-F4A-CPR • STL-540E • STL-4L30 • STL-400-5 • STL-RE5

*Coming Soon

SUPERIOR
 TRANSMISSION PARTS, INC.
 THE SIMPLE SOLUTION™

800-451-3115
www.superiortransmission.com



U140E/41E
 U240E/41E
 95244-

ILL	DESCRIPTION	QTY	YEAR	REFERENCE #	PART #
TECHNICAL MANUALS					
K53	Tech manual U140E/F dis/assembly	1	99-10	U140E/U240E	010-470
K53	Tech manual U240E dis/assembly	1	00-10	U240E	010-471
K53	Technicians diagnostic guide	1	99-10	U240	010-474
REBUILDER KITS					
K4	Master deluxe rebuild kit	1	99-09	AE	K7400-R
K4	Master deluxe rebuild kit	1	00-10	AE	K7400A-R
K5	Master kit w/steels	1	99-09	AE	K7400
K5	Master kit w/steels	1	00-10	AE	K7400A
K6	Master kit w/o steels	1	99-09	AE	K7400-LS
K6	Master kit w/o steels	1	00-10	AE	K7400A-LS
K7	O/H gasket set w/seals-rings	1	99-09	AE	K74900
K7	O/H gasket set w/seals-rings	1	00-10	AE	K74900A
GASKETS AND RUBBER COMPONENTS					
H1	Gasket, oil pan	1	99-10	35168-21010	14003X
H1	Gasket, oil pan	1	99-10	35168-21010f	14003D
A3	O'ring	1	99-10	90301-99099	13988
H25	O'ring	1	99-10	90301-31010	13989
H28	O'ring	1	99-10	90301-11008	13767
H29	O'ring	1	99-10	90301-11008	13767
n/i	Gasket	1	99-10	35431-21010	13990
METAL CLAD SEALS					
A40	Seal, metal clad	1	99-10	90311-38077	46200
H42	Seal, metal clad	1	99-10	90311-40010	75204
H42	Seal, metal clad	1	99-10	90311-12002	74203
H43	Seal, metal clad 12x22x7mm	1	99-10	90311-12001	46202
H45	Seal, metal clad 55x35x9mm (not in kit)	2	00-10	90311-35019	75201A
H45	Seal, metal clad	2	99-10	90311-50023	75205
H45	Seal, metal clad	1	00-10	90311-50026	74201
SEALING RINGS					
K10	Kit, sealing ring	1	99-10	AE	K74300
A50	Ring, sealing (teflon)	2	99-10	35613-21010	74300T
A51	Ring, sealing	1	99-10	35712-21010	74301T
E52	Ring, sealing	3	99-10	35653-21010	74302T
G53	Ring, sealing	1	99-10	34346-21010	74303T
G54	Ring, sealing	2	99-10	34244-21010	74304
CLUTCH PLATES					
A65	Steel .071" 4.500" id 40T	6	99-10	35634-21010	74101
A66	Friction .071" 5.387" od 40T	6	99-10	35633-21010	74100
B68	Steel .078" 5.640" id 12T	7	99-10	35692-21010	74103
B69	Friction .071" 6.18" id 40T	7	99-10	35682-21010	74102
C71	Steel .071" 5.640" od 12T	4	99-10	35691-21010	74105
C72	Friction .071" 6.700" od 40T	4	99-10	35681-21010	74104
E77	Friction .071" 6.18" od 40T	4	99-10	35667-21010	74106
E78	Steel .118" 5.54" id 40T	4	99-10	35647-21010	74107
F80	Friction .071" 4.918" od 40T	4	99-09	34261-21010	74108
F80	Friction .071" 4.487" od 40T	4	00-10	34261-32020	74112
F81	Steel .078" 3.904" id 40T	4	99-09	34263-21010	74109
F81	Steel .078" 3.550" id 40T	4	00-10	34263-32020	74113
G83	Friction .071" 4.635" od 28T	4	99-09	34262-21010	74110
G83	Friction .071" 4.435" od 28T	4	00-10	34262-32020	74114
G84	Steel .071" 3.663" id 11T	4	99-09	34264-21010	74111
G84	Steel .071" 3.510" id 11T	4	00-10	34264-32020	74115

U140E•U140F•140•U240E•240•U241E•241

U140E•F•U240E•U241E

ILL	DESCRIPTION	QTY	YEAR	REFERENCE #	PART #
PRESSURE PLATES					
A90	Pressure plate forward clutch (specify thickness)	1	99-10	sel	74711-R
B92	Pressure plate low/reverse clutch (specify thickness)	1	99-10	sel	74712-R
C93	Pressure plate 2nd brake clutch (specify thickness)	1	99-10	sel	74713-R
E96	Pressure plate direct clutch (specify thickness)	1	99-10	sel	74714-R
F98	Pressure plate U140E/F (ud brake #1)(specify thickness)	1	99-10	sel	74715-R
F98	Pressure plate U240/241E (ud brake #1)(specify thickness)	1	00-10	sel	74717-R
G100	Pressure plate U140E/F (ud brake #2)(specify thickness)	1	99-10	sel	74716-R
G100	Pressure plate U240/241E (ud brake #2)(specify thickness)	1	00-10	sel	74718-R
FILTERS					
K9	Kit, fliter neoprene/cork	1	99-10	AE	FK74800A
K9	Kit, fliter Duraprene®	1	99-10	AE	DK74800A
H105	Fliter Celica/Lexus/Highlander/RAV4	1	99-10	35330-28010	74800A
BUSHINGS					
K13	Kit, bushing all		99-10	AE	K74901
A110	Bushing pump body	1	99-10	AE	46001
A111	Bushing stator (front)	1	99-10	AE	74002
B115	Bushing forward clutch hub (front)	1	99-10	AE	74003
B116	Bushing forward clutch hub (rear)	1	99-10	AE	74003
D119	Bushing forward planetary	1	99-10	AE	74004
D120	Bushing sun gear housing (front)	1	99-10	AE	74005
D121	Bushing sun gear housing (rear)	1	99-10	AE	74005
G128	Bushing underdrive housing (front)	1	99-10	AE	74006
G129	Bushing underdrive housing (rear)	1	99-10	AE	74006
WASHERS/BEARINGS/RACES/SHIMS					
K12	Kit, thrust bearing all	1	99-10	AE	K74906
A135	Bearing, caged all (rear stator)	1	99-10	n/a	74528
A136	Bearing, thrust pump support to forward drum	1	99-10	90374-34005	74400-R
B137	Bearing, thrust forward drum to forward clutch hub	1	99-10	90374-23002	74401-R
B138	Race, thrust forward clutch hub to front planetary	1	99-10	35786-21010	74403-R
B139	Bearing, thrust forward clutch hub to front planetary	1	99-10	90374-37005	74402-R
D147	Bearing, thrust front planetary to sun gear	1	99-10	90374-34006	74404-R
D148	Race (inner lip) sun gear to rear planetary	1	99-10	35787-21010	74405-R
D149	Bearing, thrust sun gear to rear planetary	1	99-10	90374-38002	74406-R
D150	Race sun gear to rear planetary	1	99-10	35788-21010	74407-R
D152	Thrust washer RAV4 (outer sprag race to rear planetary)	1	01-10	35737-28010	74416
D153	Thrust washer (2 tabs) Celica/High (outer sprg race to rr planet)	1	99-10	35737-21010	74408
D154	Thrust washer (2 tabs) Celica/Highlander (sprag race to s/g hsg)	1	99-10	35737-21010	74408
D155	Thrust washer RAV4 (sprag race to sungear housing)	1	01-10	35737-28010	74416
D156	Bearing, thrust inner sprag race to sungear housing	1	99-10	n/a	74409-R
D158	Race direct drum to sun gear housing	1	99-10	35789-21010	74411-R
D159	Bearing, thrust direct drum to sun gear housing	1	99-10	90374-33003	74410-R
E160	Bearing, thrust direct drum to end housing	1	99-10	90374-53010	74409-R
E161	Bearing, caged end housing	1	99-10	90364-18010	74529
F163	Bearing, thrust U240/241E (pinion to park gear)	1	00-10	90374-53004	74412-R
F163	Bearing, thrust U140E/F (pinion to park gear)	1	99-09	90374-67001	74417-R
F164	Race, thrust U240/241E (pinion to park gear)	1	00-10	34736-32020	74413-R
F164	Race, thrust U140E/F (pinion to park gear)	1	99-09	34736-21010	74419-R
G172	Bearing, thrust underdrive housing to case	1	99-10	90374-37007	74414-R
G173	Race, thrust underdrive housing to case	1	99-10	34737-21010	74415-R
SNAP RINGS					
A190	Snap ring forward retainer	1	99-10	AE	74601-R
A191	Snap ring forward pressure plate	1	99-10	AE	74603-R
B192	Snap ring transfer drive gear	1	99-10	AE	74605-R

ILL	DESCRIPTION	QTY	YEAR	REFERENCE #	PART #
SNAP RINGS (CONTINUED)					
B193	Snap ring low/reverse retainer	1	99-10	AE	74607-R
B194	Snap ring low/reverse pressure plate	1	99-10	AE	74608-R
C195	Snap ring ring gear to hub	1	99-10	AE	74609-R
C197	Snap ring 2nd brake retainer	1	99-10	AE	74612-R
C198	Snap ring 2nd brake pressure plate	1	99-10	AE	74615-R
D200	Snap ring forward planetary to hub	1	99-10	AE	74617-R
E202	Snap ring direct pressure plate	1	99-10	AE	74622-R
E203	Snap ring direct retainer	1	99-10	AE	74625-R
F205	Snap ring underdrive ring gear	1	99-10	AE	74629-R
F206	Snap ring ud clutch #1 pressure plate	1	99-10	AE	74632-R
F207	Snap ring ud clutch #1 retainer	1	99-10	AE	74635-R
G210	Snap ring F1 sprag	1	99-10	AE	74638-R
G211	Snap ring ud clutch #2 pressure plate	1	99-10	AE	74640-R
G212	Snap ring ud clutch #2 retainer	1	99-10	AE	74642-R
PUMP PARTS AND PUMPS					
A220	Pump, assembly (gear type) U140E	1	99-09	AE	74200-R
A220	Pump, assembly (.422" rotor type gears) U140E	1	99-09	AE	74200A-R
HARD PARTS					
A230	Housing, w/shaft (6 clutch) U140F (forward clutch)	1	99-09	35701-48010	74925-R
A230	Housing, w/shaft (5 clutch) U140E-U241E (forward clutch)	1	99-09	AE	74925A-R
A230	Housing, w/shaft (4 clutch) U140E-U241E (forward clutch)	1	99-09	AE	74925B-R
A232	Retainer, w/springs 1.164" oh U140E/F/U240E (forward clutch)	1	99-10	AE	74921-R
A232	Retainer, w/springs 1.052" oh U140E/F/U240E (forward clutch)	1	99-10	AE	74921A-R
A232	Retainer, w/springs U140E/F (forward clutch)	1	99-10	AE	74923-R
B233	Hub, forward clutch U140E/F/U240E	1	99-10	AE	74926-R
B236	Gear, transfer drive 52T U140E/F	1	99-10	AE	74929-R
B236	Gear, transfer drive 50T U240E/U241E (1 dot tapered bearing)	1	01-10	AE	74929A-R
B237	Piston, low reverse .909" oh U140E/U240E/U241E	1	99-10	AE	74931-R
B237	Piston, low reverse .605" oh (aluminum) U140E/U240E/U241E	1	99-10	AE	74931A-R
B238	Retainer, w/springs U140E/F/U240E (low/reverse clutch)	1	99-10	AE	74932-R
C241	Gear, ring .866" 40 lugs 77T U140F (front planetary)	1	99-09	35743-21010	74948-R
C242	Hub, low/reverse brake U140E/F	1	99-09	35662-06010	74928-R
C243	Housing, 2nd clutch U140E/F/U240E	1	99-10	AE	74933-R
C244	Piston, (aluminum) U140E/U240E (2nd brake clutch)	1	99-10	AE	74934-R
C245	Retainer, w/springs U140E/U240E (2nd brake clutch)	1	99-10	AE	74936-R
D248	Planetary, front output U140F (output)	1	99-09	35720-44010	74927-R
D248	Planetary, front output U140F (output)	1	99-09	35720-28040	74927A-R
D249	Gear, sun 43T U140E/F/U241E (front planetary)	1	99-09	35714-21010	74920-R
D250	Planetary, rear (3 pinion gears) U140F	1	99-09	35760-33030	74930-R
D250	Planetary, rear (4 pinion gears) U140E/U240E	1	99-10	AE	74930A-R
D251	Shell, drive U140E/U240E	1	99-10	AE	74922-R
D252	Race, inner sprag U140E/U240E	1	99-10	AE	74958-R
D253	Race, outer sprag w/sprag/inner race U140E/U240E	1	99-10	AE	74937-R
D255	Housing, w/sun gear U140E/U240E (uses 2 tab washer)	1	99-09	35730-21010	74935-R
D255	Housing, w/sun gear U140E/F (uses 4 tab washer)	1	99-10	AE	74935A-R
E257	Retainer, direct clutch U140E/U240E	1	99-10	AE	74939-R
E257	Retainer, w/springs U140E/U240E (direct clutch)	1	99-10	AE	74940-R
E261	Housing, direct clutch w/shaft U140E/U240E (3-clutch)	1	99-09	35605-21010	74938-R
E261	Housing, direct clutch w/shaft U140E/U240E (4-clutch)	1	99-10	AE	74938A-R
E262	Housing, end (w/o vent hole) U140E/F (4 threaded mount holes)	1	99-09	35102-52020	74941-R
E262	Housing, end (w/vent hole) U140E/F (1 vertical mount hole)	1	99-10	AE	74941A-R
E262	Housing, end (w/vent hole) U140E (w/o mount hole)	1	99-10	AE	74941B-R
E262	Housing, end (w/vent hole) U140E/F (4 thread mount holes)	1	99-10	AE	74941C-R

U140E•U140F•140•U240E•240•U241E•241

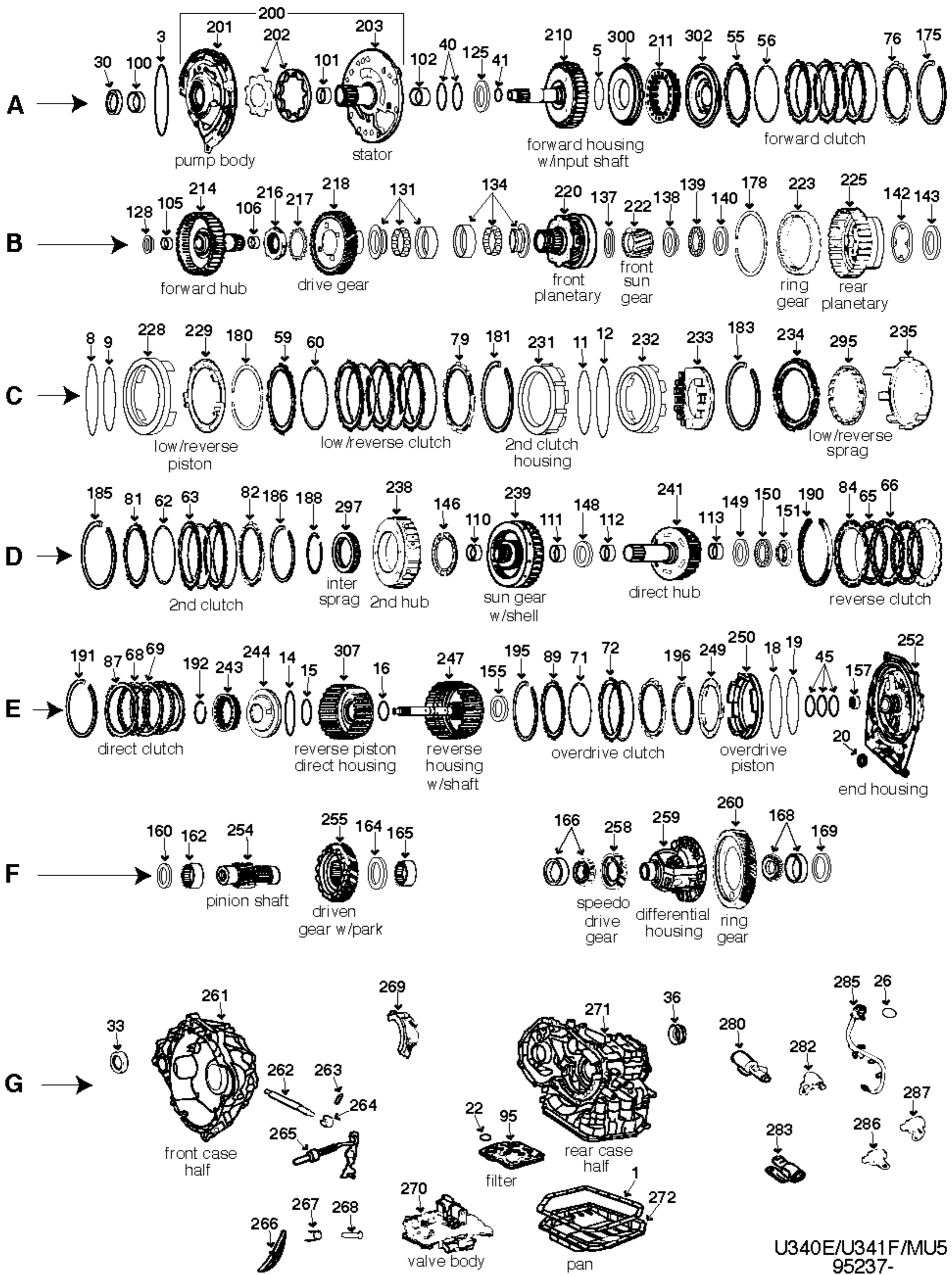
U140E•F•U240E•U241E

ILL	DESCRIPTION	QTY	YEAR	REFERENCE #	PART #	
HARD PARTS (CONTINUED)						
E262	Housing, end (w/vent hole)	U140E/F (1 vertical mount hole)	1	99-10	AE	74941D-R
E262	Housing, end (w/vent hole)	U140E/F (w/o mount hole)	1	99-10	AE	74941E-R
E262	Housing, end	U240E/U241E	1	01-10	AE	74943-R
E262	Housing, end	U240E/U241E	1	01-10	AE	74943A-R
E262	Housing, end	U240E/U241E	1	01-10	AE	74943B-R
F264	Gear, pinion 27T (3 notches)	U240E	1	01-10	AE	74984A-R
F264	Gear, pinion 28T (4 notches)	U140	1	99-10	AE	74983-R
F264	Gear, pinion 24T (2 notches)	U140E	1	99-10	AE	74983A-R
F264	Gear, pinion 25T (3 notches)	U140E	1	99-10	AE	74983B-R
F264	Gear, pinion 27T (4 notches)	U140E	1	99-10	AE	74983C-R
F264	Gear, pinion 25T (w/o notches)	U240E	1	99-10	AE	74984-R
F264	Gear, pinion 25T (4 notches)	U240E	1	01-10	AE	74984B-R
F266	Gear, park	U140E	1	99-10	AE	74944-R
F266	Gear, park	U240E	1	01-10	AE	74944A-R
F267	Gear, transfer driven 53T (w/o-notches)	U140E	1	99-10	AE	74949-R
F267	Gear, transfer driven 51T (1 notches)	U240E	1	01-10	AE	74949A-R
F268	Gear, ring 91T	U140E (underdrive)	1	99-09	35341-32011	74945-R
F268	Gear, ring 83T	U240E (underdrive)	1	01-10	AE	74945A-R
F269	Planetary, underdrive (3 pinion gears)	U140E/F	1	99-09	34330-32010	74946-R
F269	Planetary, underdrive (4 pinion gears)	U140E/F	1	99-10	AE	74946A-R
F269	Planetary, underdrive (3 pinion gears)	U240E	1	01-10	AE	74962-R
F269	Planetary, underdrive (4 pinion gears)	U240E	1	01-10	AE	74962A-R
F272	Retainer, w/springs	underdrive clutch #1	1	99-10	AE	74952-R
G275	Housing, underdrive brake #1 (4 clutch)	U140E/F (w/35T sun gear)	1	99-09	34204-32010	74947-R
G275	Housing, underdrive brake #1 (3 clutch)	U240E/F (w/32T sun gear)	1	01-10	AE	74947A-R
G276	Race, outer sprag w/sprag	underdrive	1	99-10	AE	74950-R
G277	Retainer, w/springs	underdrive brake #2	1	99-10	AE	74953-R
G278	Piston, (aluminum)	underdrive brake #2	1	99-10	AE	74955-R
G280	Differential, assembly w/spider gears	U140E (w/o speedo 12 bolt ring gear)	1	99-09	41301-32071	74980-R
G280	Differential, assembly w/spider gears	AWD	1	99-09	AE	74980A-R
G280	Differential, assembly w/spider gears	U240E (25T speedo 8 bolt ring gear)	1	01-10	AE	74980B-R
G280	Differential, assembly w/spider gears	U241E (27T speedo 12 bolt ring gear)	1	01-10	AE	74980C-R
G281	Gear, differential ring	U140E (74T 4 id-grooves 12 bolts)	1	99-10	AE	74985-R
G281	Gear, differential ring	U240E (78T 5 id-grooves 8 bolts)	1	01-10	AE	74985A-R
G281	Gear, differential ring	U241E (74T 3 id-grooves 12 bolts)	1	02-10	AE	74985B-R
H283	Case, front half	U140	1	99-09	AE	74957-R
H300	Case, rear half	U140	1	99-10	AE	74959-R
H315	Valve body w/solenoids	U140	1	99-10	AE	74987-R
H301	Pan, bottom	U140	1	99-10	AE	74919-R
ELECTRICAL COMPONENTS						
H330	Solenoid	shift #2 control	1	99-10	35220-21010	5A-201
H325	Sensor	input	1	99-10	83181-12040	5A-196
H332	Solenoid	Highlander (pressure control/EPC)	1	99-10	35290-21010	5A-206
H326	Sensor	output	1	99-10	83181-12040	5A-196
H332	Solenoid	Celica/RAV4 (pressure control/EPC)	1	99-10	35290-32010	5A-205
H327	Solenoid	shift #1 control	1	99-10	35210-21010	5A-204
H324	Switch, (MLPS) 9 pins	neutral start (screws hold it together)	1	99-10	84540-32110	5A-199
H333	Solenoid	RAV4 (shift #1)	1	99-10	35240-21010	5A-203
H328	Solenoid	shift #2	1	99-10	35230-21010	5A-200
H333	Solenoid	Celica/Highlander (shift #1)	1	99-10	35240-32010	5A-202
H345	Harness, internal wiring w/connector	U140/U140F/U240E/U241E (10 prong)	1	99-10	82125-21030	5A-198
n/i	Kit, solenoid (5 solenoids)	U140/U140F/U240E/U241E	1	99-10	52-9026	25A-059

ILL	DESCRIPTION		QTY	YEAR	REFERENCE #	PART #
SPRAGS						
D350	Sprag (28 elements w/washers)	F2	1	99-10	n/a	74502
D350	Sprag (22 elements w/washers)	F2	1	99-10	n/a	74502A
G352	Sprag (w/washers)	U140E/U140F (underdrive)(F1)	1	99-09	n/a	74503
G352	Sprag (w/washers)	U240E (underdrive)(F1)	1	00-10	n/a	74503A
BONDED PISTONS						
A355	Piston, apply (aluminum)	U140E-U241E (forward clutch)	1	99-10	AE	74924-R
A356	Set, piston bonded rubber w/balance	U240E/U241E (forward clutch)	1	00-10	34205-32010	74533
A357	Piston, bonded rubber (balance)	U140E/F/U240E (forward clutch)	1	02-10	35668-08010	74534
E361	Set, piston bonded rubber	direct clutch (apply/balance)	1	99-09	35606-21010	74530
E362	Piston, apply (aluminum)	U140E/U240E (direct clutch)	1	99-01	AE	74942-R
E362	Piston, bonded rubber	direct clutch	1	99-10	34601-08010	95243-97104
F364	Set, piston bonded rubber	U140E/F (underdrive brake #1 cl apply/bal)	1	99-09	34205-21010	74531
F364	Set, piston bonded rubber	U240E/U241E (underdrive #1 cl apply/bal)	1	00-10	34205-32010	74532

NOTES

U140E•F•U240E•U241E



U340E/U341F/MU5
95237-

ILL	DESCRIPTION	QTY	YEAR	REFERENCE #	PART #
TECHNICAL MANUALS					
K53	Tech manual U340E/U341E dis/assembly diagnosis and troubleshooting	1	00-09	n/a	010-480
REBUILDER KITS					
K5	Master kit w/steels U340E (w/pistons)	1	00-09	AE	95237-11004
K5	Master kit w/steels U341F (w/pistons)	1	03-09	AE	95237-11504
K5	Master kit w/steels U340E (w/o pistons)	1	00-09	AE	95237-11104
K5	Master kit w/steels U341F (w/o pistons)	1	03-09	AE	95237-11604
K6	Master kit w/o steels U340E/U341F (w/pistons)	1	00-09	AE	95237-12004
K6	Master kit w/o steels U340E/U341F (w/o pistons)	1	00-09	AE	95237-12104
K6	O/H gasket set w/seals-rings U340E/U341F (w/pistons)	1	00-09	APC-144800X	95237-13004
K7	O/H gasket set w/seals-rings U340E/U341F (w/o pistons)	1	00-09	2400	95237-13104
VALVE BODY KITS					
K15	Kit, valve body repair U340E/F/U341E/F	1	00-09	n/a	95237-17009
GASKETS AND RUBBER COMPONENTS					
G1	Gasket, oil pan U340E/F/U341E/F	1	00-09	35168-52020	14004X
A3	O'ring pump body	1	00-09	90301-99124	95237-21004
G22	O'ring filter	1	00-09	90301-31010	13989
n/i	Gasket, lower valve body U340E/F/U341E/F	1	00-09	35488-52010	95237-28504
n/i	Gasket, lower valve body (upper) U340E/F/U341E/F	1	00-09	35477-52020	95237-28604
n/i	O'ring input/output speed sensors	2	00-09	90301-11008	13767
METAL CLAD SEALS					
A30	Seal, metal clad front	1	00-09	90311-38077	46200
G33	Seal, metal clad U340E (right axle)	1	00-08	90311-34007	95237-30904
G33	Seal, metal clad U341E (right axle)	1	00-09	90311-35019	95237-30704
G33	Seal, metal clad U341F (right axle)	1	03-07	90311-49002	95237-30804
G36	Seal, metal clad U340E (left axle)	1	00-08	90311-34022	75201
G36	Seal, metal clad U341E (left axle)	1	00-09	90311-35046	95237-30604
n/i	Seal, metal clad 12x22x7mm manual lever shaft	1	00-09	90311-12002	46202
SEALING RINGS					
K10	Kit, sealing ring U340E/f/U341E/F	1	00-09	3455	95237-31504
A40	Ring, sealing (plastic) forward clutch	2	00-09	35613-52010	95237-33104
A41	Ring, sealing (teflon) input/turbine shaft	1	00-09	35712-52020	95237-33404
E45	Ring, sealing (plastic) direct clutch	3	00-09	35617-52020	95237-33204
CLUTCH PLATES					
A55	Steel .074" 4.270" id 30T forward clutch	4	00-09	35634-52020	95237-37604
A56	Friction .071" 5.100" od 40T forward clutch	4	00-09	35633-52020	95237-35204
C59	Steel .070" 5.400" id 13T low/reverse clutch	4	00-09	35693-52040	95237-37804
C60	Friction .071" 6.035" od 43T low/reverse clutch	4	00-09	35683-52040	95237-35504
D62	Friction .071" 5.325" od 32T 2nd clutch brake	3/4	00-09	35682-52020	95237-35804
D63	Steel .118" 5.650" id 13T 2nd clutch brake	3/4	00-09	35678-52020	95237-38004
D63	Steel .078" 5.650" id 13T U341F (2nd clutch brake)	3/4	03-09	35692-52020	95237-38104
D65	Friction .073" 4.590" 32T reverse clutch	2/3	00-09	35677-52020	95237-36204
D66	Steel .070" 3.870" id 30T reverse clutch	2/3	00-09	35648-52020	95237-38404
E68	Friction .071" 4.370" od 40T direct clutch	3	00-09	35667-52020	95237-36504
E69	Steel .118" 3.400" id 30T direct clutch	3	00-09	35675-52040	95237-38604
E71	Friction .071" 6.325" od 40T overdrive/2nd coast clutch	2	00-09	34633-52020	95237-36904
E72	Steel .118" 5.560" id 15T overdrive clutch	2	00-09	34625-52060	95237-38804
PRESSURE PLATES					
A76	Pressure plate forward clutch	1	00-09	AE	95237-41103
C79	Pressure plate low/reverse clutch	1	00-09	AE	95237-41403
D81	Pressure plate 2nd clutch brake	1	00-09	AE	95237-41803
D82	Pressure plate 2nd clutch brake	1	00-09	AE	95237-42203
D84	Pressure plate reverse clutch	1	00-09	AE	95237-42603
E87	Pressure plate direct clutch	1	00-09	AE	95237-42703

U340E•340•U341E•U341F•MU5

U340E•U341E•F•MU5

ILL	DESCRIPTION	QTY	YEAR	REFERENCE #	PART #
PRESSURE PLATES (CONTINUED)					
E89	Pressure plate overdrive clutch	1	00-09	AE	95237-42903
FILTERS					
K9	Kit, filter U340E	1	00-09	AE	95237-43504
G95	Filter U340E	1	03-09	88971813	95237-45004
BUSHINGS					
K13	Kit, bushing U340E/U341E	1	00-09	AE	95237-50004
A100	Bushing pump body	1	00-09	n/a	46001
A101	Bushing stator (front)	1	00-09	n/a	95237-50804
A102	Bushing stator (rear)	1	00-09	n/a	95237-51004
B106	Bushing forward hub (front)	1	00-09	n/a	95237-51204
B106	Bushing forward hub (rear)	1	00-09	n/a	95237-51204
D110	Bushing sun gear w/shell (front)	1	00-09	n/a	95237-52004
D111	Bushing sun gear w/shell (rear)	1	00-09	n/a	95237-52004
D112	Bushing direct hub (front)	1	00-09	n/a	95237-52204
D113	Bushing direct hub (rear)	1	00-09	n/a	95237-52204
WASHERS/BEARINGS/RACES/SHIMS					
K12	Kit, thrust bearing U340E/U341F	1	00-09	AE	95237-55104
A125	Bearing, thrust pump support to turbine shaft	1	00-09	n/a	95237-56104
B128	Bearing, thrust forward hub to turbine shaft	1	00-09	n/a	95237-56404
B131	Bearing, ball type w/inner/outer races drive gear to case half	1	00-09	n/a	95237-56804
B134	Bearing, ball type w/inner/outer races front planetary to case half	1	00-09	n/a	95237-56804
B137	Bearing, thrust front sun gear to front planetary	1	00-09	n/a	95237-56904
B138	Race, thrust front sun gear to rear planetary	1	00-09	n/a	95237-57204
B139	Bearing, thrust front sun gear to rear planetary	1	00-09	n/a	95237-57404
B140	Race, thrust front sun gear to rear planetary	1	00-09	n/a	95237-57504
B142	Thrust washer (plastic) 4 tabs rear planetary to 2nd clutch hub	1	00-09	n/a	95237-57704
B143	Bearing, thrust rear planetary to sun gear w/shell	1	00-09	n/a	95237-57804
D146	Bearing, thrust 2nd clutch hub to sun gear w/shell	1	00-09	n/a	95237-58004
D148	Bearing, thrust sun gear w/shell to direct clutch hub	1	00-09	n/a	95237-58404
D149	Race, thrust direct clutch hub to reverse housing	1	00-09	n/a	95237-58604
D150	Bearing, thrust direct clutch hub to reverse housing	1	00-09	n/a	95237-58704
D151	Race, thrust direct clutch hub to reverse housing	1	00-09	n/a	95237-59004
E155	Bearing, thrust reverse housing to end housing	1	00-09	n/a	95237-59204
E157	Bearing, caged reverse housing to end housing support	1	00-09	n/a	95237-59604
F160	Bearing, thrust pinion shaft to case half	1	00-09	n/a	95237-59804
F162	Bearing, caged pinion shaft to case half support	1	00-09	n/a	95237-60104
F164	Bearing, thrust park/driven gear to case half	1	00-09	n/a	95237-60504
F165	Bearing, caged park/driven gear to case half support	1	00-09	n/a	95237-60804
F166	Bearing, cup/cone differential case to front case half	1	00-09	n/a	95237-61004
F168	Bearing, cup/cone differential case to rear case half	1	00-09	n/a	95237-61204
F169	Shim (washer) differential case to rear case half	sel	00-09	n/a	95237-61404
SNAP RINGS					
A175	Snap ring forward pressure plate	1	00-09	n/a	95237-62303
B178	Snap ring rear planetary ring gear	1	00-09	n/a	95237-62603
C180	Snap ring low/reverse spring retainer	1	00-09	n/a	95237-62903
C181	Snap ring low/reverse pressure plate	1	00-09	n/a	95237-63203
C183	Snap ring 2nd clutch spring retainer	1	00-09	n/a	95237-63603
D185	Snap ring 2nd clutch housing	1	00-09	n/a	95237-64003
D186	Snap ring 2nd clutch pressure plate	1	00-09	n/a	95237-64403
D188	Snap ring intermediate sprag	1	00-09	n/a	95237-64903
D190	Snap ring reverse clutch pressure plate	1	00-09	n/a	95237-65003
E191	Snap ring direct clutch pressure plate	1	00-09	n/a	95237-65304
E192	Snap ring direct clutch spring retainer	1	00-09	n/a	95237-65503

ILL	DESCRIPTION	QTY	YEAR	REFERENCE #	PART #
SNAP RINGS (CONTINUED)					
E195	Snap ring overdrive clutch pressure plate	1	00-09	n/a	95237-55603
E196	Snap ring overdrive clutch spring retainer	1	00-09	n/a	95237-55803
PUMP PARTS AND PUMPS					
A200	Pump assembly exchange needed	1	00-09	AE	95237-67003
A201	Pump body w/gears exchange needed	1	00-09	AE	95237-67503
A202	Pump gears U340E/U341F	1	00-09	n/a	95237-68104
A203	Stator (pump support) exchange needed	1	00-09	AE	95237-68503
HARD PARTS					
A210	Housing, forward clutch (w/shaft) U340E/U341F	1	00-09	AE	95237-72503
A211	Retainer, w/springs forward clutch	1	00-09	AE	95237-72803
B214	Hub, forward U340E/U341F	1	00-09	AE	95237-73003
B216	Nut U340E/U341F (drive gear)	1	00-09	AE	95237-73203
B217	Retainer, nut (washer) U340E/U341F (keeps nut from coming loose)	1	00-09	AE	95237-73303
B218	Gear, drive 52T U340E/U341F	1	00-09	AE	95237-73403
B220	Planetary, front 21T pinions U340E/U341F	1	00-09	AE	95237-74003
B222	Gear, sun 46T U340E/U341F (front)	1	00-09	AE	95237-74403
B223	Gear, ring 85T U340E/U341F (front)	1	00-09	AE	95237-74803
B225	Planetary, rear 21T pinions low/reverse inner sprag race	1	00-09	AE	95237-75203
C228	Piston, low/reverse clutch U340E/U341F	1	00-09	AE	95237-75503
C229	Retainer, low/reverse clutch U340E/U341F	1	00-09	AE	95237-75803
C231	Housing, 2nd clutch U340E/U341F	1	00-09	AE	95237-76003
C232	Piston, 2nd clutch U340E/U341F	1	00-09	AE	95237-76203
C233	Retainer, w/springs U340E/U341F (2nd clutch)	1	00-09	AE	95237-76503
C234	Race, outer w/sprag low/reverse U340E/U341F	1	00-09	AE	95237-76703
C235	Ring, apply 8T U340E/U341F (2nd clutch)	1	00-09	AE	95237-76903
D238	Hub, 2nd clutch U340E/U341F	1	00-09	AE	95237-77203
D239	Shell, w/sun gear 38T U340E/U341F	1	00-09	AE	95237-77503
D241	Hub, direct clutch U340E/U341F	1	00-09	AE	95237-78003
E243	Retainer, w/springs U340E/U341E/F (direct clutch)	1	00-09	AE	95237-78503
E244	Piston, direct clutch U340E/U341E/F	1	00-09	AE	95237-78703
E247	Housing, reverse clutch (w/shaft) U340E/U341E/F	1	00-09	AE	95237-79003
E249	Retainer, w/springs U340E/U341E/F (overdrive clutch)	1	00-09	AE	95237-79503
E250	Piston, overdrive clutch U340E/U341E/F	1	00-09	AE	95237-79903
E252	Housing, end U340E/U341E/F	1	00-09	AE	95237-80203
F254	Gear, pinion (drive gear) 2 grooves 20T U340E/U341E/F	1	00-09	AE	95237-80503
F254	Gear, pinion (drive gear) 3 grooves 19T U341F (AWD)	1	03-09	AE	95237-80603
F255	Gear, driven (w/park gear) 53T U340E/U341E/F	1	00-09	AE	95237-81003
F255	Gear, driven (w/park gear) 52T U340E/U341E/F	1	00-09	AE	95237-81103
F258	Gear, drive (speedo) 25T U340E/U341E	1	00-09	AE	95237-81403
F258	Gear, drive (speedo) 27T U341F (AWD)	1	03-09	AE	95237-81503
F259	Housing, differential (w/23T spider gears) w/o 8 bolt ring gr 1.062" axle hole (2WD)	1	00-09	AE	95237-82003
F259	Housing, differential (w/20T spider gears) w/o 8 bolt ring gr 1.087" axle hole (2WD)	1	00-09	AE	95237-82103
F259	Housing, differential (w/23T spider gears) w/o 8 bolt ring gr 1.035" axle hole (AWD)	1	03-09	AE	95237-82203
F260	Gear, differential ring 2 grooves 77T U340E/U341E	1	00-09	AE	95237-82503
F260	Gear, differential ring 4 grooves 79T U341F (AWD)	1	03-09	AE	95237-82603
G261	Housing, front case half U340E/U341E	1	00-09	AE	95237-82803
G262	Shaft, shift U340E/U341F	1	00-09	AE	95237-83003
G265	Rod, park U340E/U341F	1	00-09	AE	95237-83603
G266	Pawl, park U340E/U341F	1	00-09	AE	95237-83403
G267	Spring, park pawl U340E/U341F	1	00-09	AE	95237-83203
G268	Pin, park pawl U340E/U341F	1	00-09	AE	95237-83303
G269	Baffle, differential U340E/U341F	1	00-09	AE	95237-84003
G270	Valve body w/solenoids U340E/U341E	1	00-09	AE	95237-84203

CHOOSE THE BRAND THAT FITZ
Ask For Genuine Teckpak/Fitzall Parts



TeckPak



***This is what
some of us
at Teckpak
do on
the Weekend.***

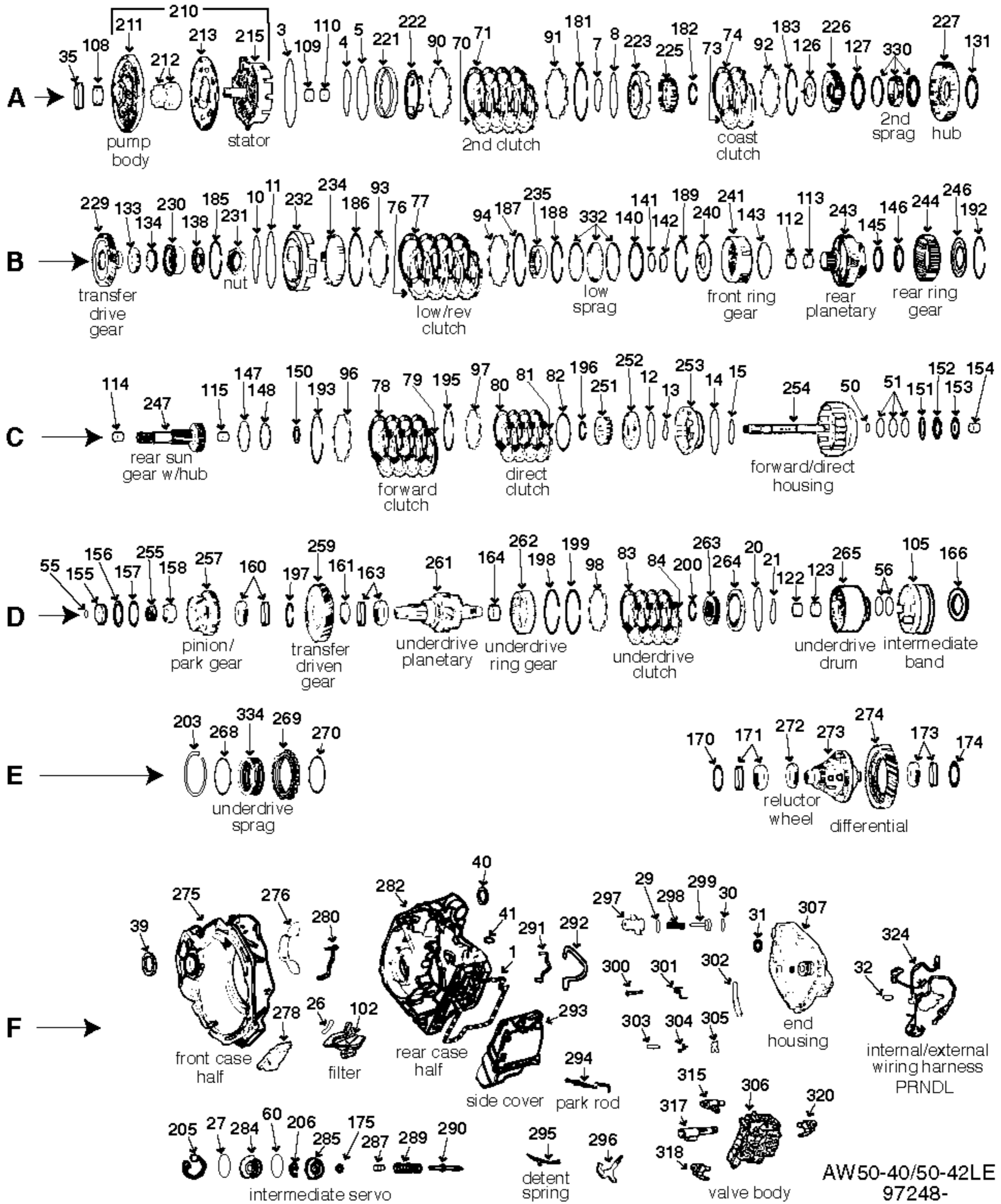
TECKPAK/FITZALL

Toll Free: 1.800.527.2544

Voice: 573.785.8238

Fax: 573.785.3303

www.teckpak-fitzall.com



AW50-40/50-42LE
97248-

ILL	DESCRIPTION		QTY	YEAR	REFERENCE #	PART #
TECHNICAL MANUALS						
K53	Tech manual AW50-40/50-42LE dis/assembly	diagnosis/troubleshooting	1	92-07	AW5042LE	010-472
REBUILDER KITS						
K4	Master deluxe rebuild kit	AW50-40/50-42LE	1	89-97	AE	97248-10104
K4	Master deluxe rebuild kit	AW50-40/50-42LE	1	97-98	AE	97248-10114
K4	Master deluxe rebuild kit	AW50-40/50-42LE	1	98-07	AE	97248-10124
K5	Master kit w/steels	AW50-40/50-42LE	1	89-97	AE	97248-11104
K5	Master kit w/steels	AW50-40/50-42LE	1	97-98	AE	97248-11114
K5	Master kit w/steels	AW50-40/50-42LE	1	98-07	AE	97248-11124
K6	Master kit w/o steels	AW50-40/50-42LE	1	89-97	AE	97248-12104
K6	Master kit w/o steels	AW50-40/50-42LE	1	97-98	AE	97248-12114
K6	Master kit w/o steels	AW50-40/50-42LE	1	98-07	AE	97248-12124
K7	O/H gasket set w/seals-rings	AW50-40/50-42LE	1	89-07	2319	97248-13104
VALVE BODY KITS						
K15	Shift Kit®	AW50-40/50-42LE	1	92-07	n/a	97248-17009
K15	Shift Correction Package	AW50-40/50-42LE	1	92-07	n/a	97248-17005
GASKETS AND RUBBER COMPONENTS						
F1	Gasket, side pan Duraprene®	AW50-40/50-42LE	1	89-07	FDB-B11385	97248-19104
A3	O'ring	pump to case	1	89-07	90348756	97248-21104
F31	Seal	front hsg to rear half	3	89-07	90369297	23036
F32	O'ring	input/output sensors	2	89-07	94385669	93234-23804
n/i	O'ring	Opel (filler tube)	1	89-92	90223715	23027
n/i	Multi lip seal (boot)	Opel (filler tube)	1	93-07	1259475	13925
n/i	Seal, filler tube	Volvo (filler tube)	1	93-07	1397983-6	97248-24004
METAL CLAD SEALS						
A35	Seal, metal clad	front seal	1	89-07	90348749	46200
F39	Seal, metal clad	Volvo AW50-40	2	93-07	6843112-1	97248-30104
F40	Seal, metal clad	Opel AW50-40/50-42LE	2	92-07	90342143	51201
F40	Seal, metal clad	AWD right axle	1	01-07	B37035	97248-30204
F41	Seal, metal clad 12x22x7mm	lever seal	1	89-07	3520746-3	46202
SEALING RINGS						
K10	Kit, sealing ring	AW50-40/50-42LE	1	89-07	AE	97248-50004
C50	Sealing ring (small teflon)	input shaft to rear cover	1	89-07	90348782	97248-48200
C51	Sealing ring (metal)	forward drum to cover	3	89-93	90348742	97248-32204
C51	Sealing ring (teflon)	forward drum to cover	3	93-07	90512224	97248-33304
D56	Sealing ring (metal)	underdrive clutch	2	89-07	90348719	97248-32404
D55	Sealing ring (plastic)	lube planetary	1	89-07	94844768	97248-33404
n/i	Sealing ring (teflon)	outer accumulator piston	3	89-07	9143574-3	97248-33604
n/i	Sealing ring (small teflon)	B-1/C-2 inner accumulator piston	2	89-07	FDB-21412	97248-33804
n/i	Sealing ring (large teflon)	B-1/C-2 inner accumulator piston	2	89-07	9143575-0	97248-34004
n/i	Sealing ring (small teflon)	C-3 inner accumulator piston	2	89-07	9143581-8	97248-34204
n/i	Sealing ring (large teflon)	C-3 inner accumulator piston	2	89-07	9143592-6	97248-34404
CLUTCH PLATES						
A70	Steel .098" 5.661" id 10T	2nd clutch brake (B2)	2	89-98	90348795	97248-37604
A70	Steel .071" 5.661" id 10T	2nd clutch brake (B2)	sel	89-98	110707-180	97248-37504
A70	Steel .098" 5.538" id 10T	2nd clutch brake (B2)	4	99-07	110707B-250	97248-37804
A70	Steel .071" 5.538" id 10T	2nd clutch brake (B2)	4	99-07	110707B-180	97248-37704
A71	Friction .067" 6.302" od 33T	2nd clutch brake (B2)	3	89-98	90542947	97248-35614
A71	Friction .075" 6.302" od 40T	2nd clutch brake (B2)	4	99-07	110704A-190	97248-35804
A71	Friction .067" 6.302" od 40T	2nd clutch brake (B2)	6	99-07	110704A-160	97248-35704
A73	Steel .071" 3.582" id 8T	coast clutch (B1)	2	89-07	90348787	97248-38104
A74	Friction .067" 4.260" od 34T	coast clutch (B1)	4	89-07	90542422	97248-35504
B76	Steel .071" 5.661" id 15T	low/reverse clutch (B3)	5	89-07	90348807	97248-38504
B77	Friction .067" 6.302" od 33T	low/reverse clutch (B3)	6	89-98	90348808	97248-35604

AW50-40•AW50-42LE

AW50-40•AW50-42LE

ILL	DESCRIPTION	QTY	YEAR	REFERENCE #	PART #
CLUTCH PLATES (CONTINUED)					
C78	Friction .067" 5.374" od 46T forward clutch (C1)	4	89-07	90542936	97248-36004
C79	Steel .071" 4.491" id 12T forward clutch (C1)	4	89-07	90348778	97248-38704
C79	Steel .077" 4.491" id 12T forward clutch (C1)	sel	89-07	90542937	97248-38804
C80	Friction .067" 4.260" od 34T direct clutch (C2)	4	89-98	90542422	97248-36304
C80	Friction .067" 4.482" od 34T direct clutch (C2)	4	99-07	110700A-170	97248-36404
C81	Steel .071" 3.582" id 12T direct clutch (C2)	4	89-98	90348774	97248-39004
C81	Steel .071" 3.582" id 18T direct clutch (C2)	4	99-07	110701A-180	97248-39104
D83	Friction .067" 4.260" od 34T underdrive clutch (C3)	4	89-98	90542422	97248-35504
D83	Friction .067" 4.482" od 34T underdrive clutch (C3)	4	99-07	110700A-170	97248-36404
D84	Steel .071" 3.582" id 8T underdrive clutch (C3)	4	89-98	90348787	97248-38104
D84	Steel .098" 3.582" id 18T underdrive clutch (C3)	3	99-07	110709A-250	97248-39404
n/i	Friction .059" 5.870" od 61T transfer case clutch	ar	89-07	110710-150	97248-36804
n/i	Steel .059" 5.220" id 66T transfer case clutch	0	89-07	n/a	97248-39604
n/i	Plate dished coast clutch	1	89-07	n/a	97248-40303
n/i	Steel shim coast clutch	1	89-07	n/a	97248-40003
PRESSURE PLATES					
A91	Pressure plate 2nd clutch (B2)	1	89-07	AE	97248-41303
A92	Pressure plate coast clutch (C2)	1	89-07	AE	97248-41103
B94	Pressure plate .150" 5.665" id 15T low/reverse (B3)	1	89-07	AE	97248-41903
C96	Pressure plate .142" 4.491" id 12T forward clutch (C1)	1	89-07	AE	97248-41603
C96	Pressure plate .150" 4.491" id 12T forward clutch (C1)	1	89-07	AE	97248-41703
C96	Pressure plate .158" 4.491" id 12T forward clutch (C1)	1	89-07	AE	97248-41803
C97	Pressure plate direct clutch (C2)	1	89-07	AE	97248-41503
D98	Pressure plate underdrive clutch	1	89-07	AE	97248-42003
FILTERS					
F102	Filter, main suction AW50-40/50-42LE	1	89-98	50407380001N	97248-45104
F102	Filter, main suction AW50-40	1	99-07	30681088	97248-45204
BANDS					
D105	Band, intermediate AW50-40/50-42LE	1	99-07	5040735001U	97248-47504
BUSHINGS					
K12	Kit, bushing AW50-40/50-42LE	1	92-07	AE	97248-50104
A108	Bushing pump body	1	92-07	n/a	46001
A109	Bushing pump support (front)	1	92-07	n/a	97248-50704
A110	Bushing pump support (rear)	1	92-07	n/a	97248-50704
B112	Bushing rear planetary (front)	1	92-07	n/a	97248-50904
B113	Bushing rear planetary (rear)	1	92-07	n/a	97248-50904
C114	Bushing rear sun gear (front)	1	92-07	n/a	97248-51104
C115	Bushing rear sun gear (rear)	1	92-07	n/a	97248-51104
D122	Bushing underdrive drum (front)	1	92-07	n/a	97248-51504
D123	Bushing underdrive drum (rear)	1	92-07	n/a	97248-51504
WASHERS/BEARINGS/RACES/SHIMS					
K13	Kit, thrust washer AW50-40/5042LE	1	92-07	n/a	97248-54604
K13	Kit, thrust bearing AW50-40/5042LE	1	92-07	n/a	97248-55204
A126	Washer, thrust (3-tab plastic) sprag race to pump support	1	92-07	n/a	97248-56204
A127	Washer, thrust (3-tab plastic) sprag race to coast clutch hub	1	92-07	n/a	97248-56404
A131	Washer, thrust (3-tab plastic) coast clutch hub to transfer gear	1	92-07	n/a	97248-56504
B133	Bearing, cup/cone drive transfer gear support	2	92-07	n/a	97248-56704
B140	Washer, thrust (plastic) front ring gear (front)	1	92-07	n/a	97248-56804
B141	Bearing, thrust front ring gear (front)	1	92-07	n/a	97248-56904
B142	Bearing, thrust front ring gear (front)	1	92-07	n/a	97248-57004
B143	Bearing, thrust rear planetary to front ring gear	1	92-07	n/a	97248-57104
B145	Race, thrust rear planetary to rear ring gear	1	92-07	n/a	97248-57204
B146	Bearing, thrust rear planetary to rear ring gear	1	92-07	n/a	97248-57304

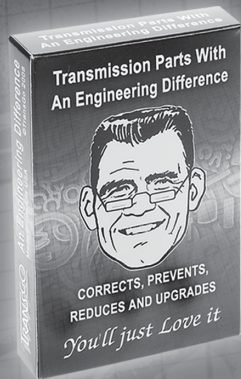
ILL	DESCRIPTION	QTY	YEAR	REFERENCE #	PART #
WASHERS/BEARINGS/RACES/SHIMS (CONTINUED)					
C147	Race, thrust rear sun gear	1	92-07	n/a	97248-57504
C148	Bearing, thrust rear sun gear	1	92-07	n/a	97248-57704
C150	Bearing, thrust rear sun gear	1	92-07	n/a	97248-57804
C151	Race, thrust forward/direct housing	1	92-07	n/a	97248-58004
C152	Bearing, thrust forward/direct housing	1	92-07	n/a	97248-58104
C153	Race, thrust forward/direct housing	1	92-07	n/a	97248-58204
C154	Bearing, caged forward/direct housing	1	92-07	n/a	97248-58504
D155	Bearing, caged front housing to planetary	1	92-07	n/a	97248-58604
D156	Bearing, thrust front housing to planetary	1	92-07	n/a	97248-58704
D157	Race, thrust front housing to planetary	1	92-07	n/a	97248-59004
D158	Bearing, caged front housing to planetary	1	92-07	n/a	97248-59104
D160	Bearing, cup/cone driven transfer gear	1	92-07	n/a	97248-59204
D161	Spacer, crush sleeve driven transfer gear	1	92-07	n/a	97248-59404
D163	Bearing, cup/cone driven transfer gear	1	92-07	n/a	97248-59204
D164	Bearing, caged underdrive planetary	1	92-07	n/a	97248-59504
D166	Bearing, thrust underdrive drum	1	92-07	n/a	97248-59704
E170	Washer, shim differential	sel	92-07	n/a	97248-59904
E171	Bearing, cup/cone differential	1	92-07	n/a	97248-60104
E173	Bearing, cup/cone differential	1	92-07	n/a	97248-60304
E174	Washer, shim differential	sel	92-07	n/a	97248-60504
SNAP RINGS					
A181	Snap ring 2nd clutch pressure plate	1	92-07	AE	97248-62503
A182	Snap ring coast clutch retainer	1	92-07	AE	97248-62803
A183	Snap ring coast clutch pressure plate	1	92-07	AE	97248-62903
B185	Snap ring transfer gear retainer	1	92-07	AE	97248-63203
B186	Snap ring low/reverse clutch retainer	1	92-07	AE	97248-63303
B187	Snap ring low/reverse clutch pressure plate	1	92-07	AE	97248-63503
B188	Snap ring low sprag	1	92-07	AE	97248-63803
B189	Snap ring front ring gear hub	1	92-07	AE	97248-64003
B192	Snap ring rear ring gear hub	1	92-07	AE	97248-64303
C193	Snap ring forward clutch pressure plate	1	92-07	AE	97248-64503
C195	Snap ring direct clutch pressure plate	1	92-07	AE	97248-64703
C196	Snap ring direct clutch retainer	1	92-07	AE	97248-64903
D197	Snap ring seat for transfer gear bearings	1	92-07	AE	97248-65003
D198	Snap ring underdrive ring gear	1	92-07	AE	97248-65103
D199	Snap ring underdrive clutch pressure plate	1	92-07	AE	97248-65303
D200	Snap ring underdrive clutch retainer	1	92-07	AE	97248-65503
E203	Snap ring underdrive sprag	1	92-07	AE	97248-65803
PUMP PARTS AND PUMPS					
A210	Pump, assembly w/plate AW50-40/5042LE	1	89-07	AE	97248-67003
HARD PARTS					
A221	Piston, 2nd clutch AW50-40/5042LE (aluminum)	1	92-07	AE	97248-72203
A222	Retainer, w/springs 2nd clutch	1	92-07	AE	97248-72303
A223	Piston, coast clutch AW50-40/5042LE (aluminum)	1	92-07	AE	97248-72603
A225	Retainer, w/springs coast clutch	1	92-07	AE	97248-72703
A226	Hub, coast clutch (inner sprag race) AW50-40/5042LE	1	92-07	AE	97248-73003
A227	Hub, 2nd clutch (outer sprag race) AW50-40/5042LE	1	92-07	AE	97248-73103
B229	Gear, transfer drive AW50-40/5042LE	1	92-07	AE	97248-73203
B230	Retainer, drive transfer gear AW50-40/5042LE	1	92-07	AE	97248-73503
B231	Nut, drive transfer gear AW50-40/5042LE	1	92-07	AE	97248-73603
B232	Piston, low/reverse clutch AW50-40/5042LE	1	92-07	AE	97248-73703
B234	Retainer, w/springs low/reverse clutch	1	92-07	AE	97248-73803
B235	Race, inner low sprag AW50-40/5042LE	1	92-07	AE	97248-73903

AW50-40•AW50-42LE

AW50-40•AW50-42LE

ILL	DESCRIPTION	QTY	YEAR	REFERENCE #	PART #	
HARD PARTS (CONTINUED)						
B240	Hub, front ring gear	1	92-07	AE	97248-74203	
B241	Gear, front ring	1	92-07	5040662004G	97248-75203	
B243	Planetary, rear	1	92-07	3572050A010	97248-75803	
B244	Gear, rear ring	1	92-07	5040162003M	97248-76003	
B246	Hub, rear ring gear	1	92-07	AE	97248-76203	
C247	Gear, sun w/shaft	1	92-07	3570650A030	97248-76503	
C251	Retainer, w/springs	1	92-07	AE	97248-76803	
C252	Piston, direct clutch	1	92-07	AE	97248-76903	
C253	Piston, forward clutch	1	92-07	AE	97248-77003	
C254	Housing, forward/direct	1	92-07	3570150A021	97248-77603	
D255	Nut, underdrive planetary	1	92-07	AE	97248-77903	
D257	Gear, final pinion (w/park gear)	1	92-07	AE	97248-78003	
D259	Gear, transfer driven	1	92-07	AE	97248-79003	
D261	Planetary, underdrive	1	92-07	3433050A010	97248-80003	
D262	Gear, underdrive ring	1	92-07	5040162005F	97248-80403	
D263	Retainer, w/springs	1	92-07	AE	97248-80603	
D264	Piston, underdrive clutch	1	92-07	AE	97248-80703	
D265	Drum, underdrive	1	92-07	AW50-40/5042LE (inner sprag race)	3420450A090	97248-81203
E269	Race, underdrive outer sprag	1	92-07	AE	97248-81503	
E273	Differential assembly w/spider gears	1	92-07	AE	97248-81703	
E274	Gear, final ring	1	92-07	AE	97248-82003	
F275	Housing, front case half	1	92-07	AE	97248-82203	
F282	Housing, main case half	1	92-07	AE	97248-83003	
F293	Pan, side cover	1	92-07	AE	97248-83803	
F294	Rod, park	1	92-07	AE	97248-83903	
F295	Spring, detent w/roller	1	92-07	AE	97248-84003	
F296	Shaft, shift (w/rooster cone)	1	92-07	AE	97248-84103	
F300	Pin, park pawl	1	92-07	AE	97248-84203	
F301	Spring, park pawl	1	92-07	AE	97248-84303	
F302	Pawl, park	1	92-07	AE	97248-84403	
F306	Valve body w/solenoids	1	92-07	AE	97248-84503	
F307	Housing, end	1	92-07	AE	97248-84603	
ELECTRICAL COMPONENTS						
F315	Solenoid	1	89-07	shift 1 (A)	8542050A090	97248-87604
F317	Solenoid, lock-up (TCC)	1	89-07	AW50-40/5042LE	3526050A010	97248-87304
F318	Solenoid, EPC	1	89-07	AW50-40/5042LE	n/a	97248-87004
F320	Solenoid	1	89-07	shift 2 (B)	8542050A080	97248-87604
F324	Harness, wire connector internal	1	89-07	AW50-40/5042LE (11 wires)	n/a	97248-85304
F324	Harness, wire connector internal	1	89-07	AW50-40/5042LE (17 pins)	n/a	97248-85204
n/i	Switch, neutral start	1	89-07	AW50-40/5042LE	8454050A040	97248-85904
n/i	Sensor, temperature	1	89-07	AW50-40/5042LE (VTS)	8942950A020	97248-86204
n/i	Sensor, input speed	1	89-07	AW50-40/5042LE (VSS)	8941160A030	97248-86304
SPRAGS						
A330	Sprag	1	92-98	AW50-40 (coast clutch)	3579150A010	97248-94204
A330	Sprag	1	99-07	AW50-42LE (coast clutch)	n/a	97248-94304
B332	Sprag	1	92-07	AW50-40/50-42LE (low/reverse)	3579235011	97248-94604
E334	Sprag	1	92-07	AW50-40/50-42LE (underdrive clutch)	5040506001Z	97248-95004
NOTES						

NEW FROM TRANSGO®



SK® AWF21

Reduces/Corrects/Prevents

Rough shifts, Bump-Bump downshifts above 30 mph hot, Part throttle downshift bang, Flares during up-shifts & kick-down, Rough coast downshifts. No pressure rise, TCC slip/shudder. Poor shift quality.

Fits: 05-06 Ford Fusion & 500, 05-06 Mazda 6
06 Lincoln Zephyr, 06 Mercury Milan,
05-06 Mercury Montego

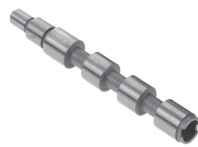
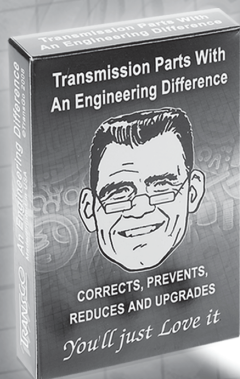
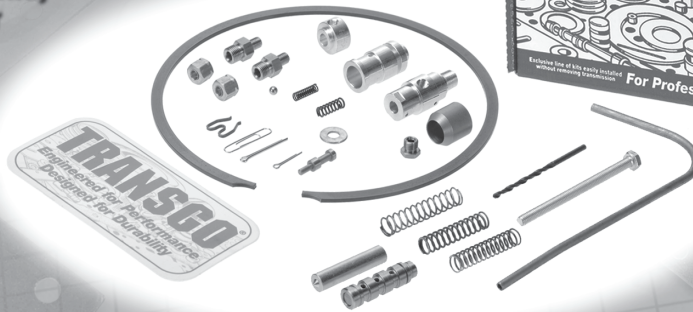
5R110W-HD2 Reprogramming Kit™

Reduces/Corrects/Prevents

Case Lugs Blow Out-Runaway Reverse Pressure Slips or No Reverse-Neutrals at stop sign. Adds capacity for upgrade engine HP & Towing.

Fits:

Ford Trucks
From 2003-2007.
Does Not Fit 2008-2009.



U151-23-SR

Reduces/Corrects/Prevents

Your fixing Shuttle or Bind-up 2-3 Shift: Caused by the Direct Clutch Control Valve sticking or binding in the bore.

Fits:

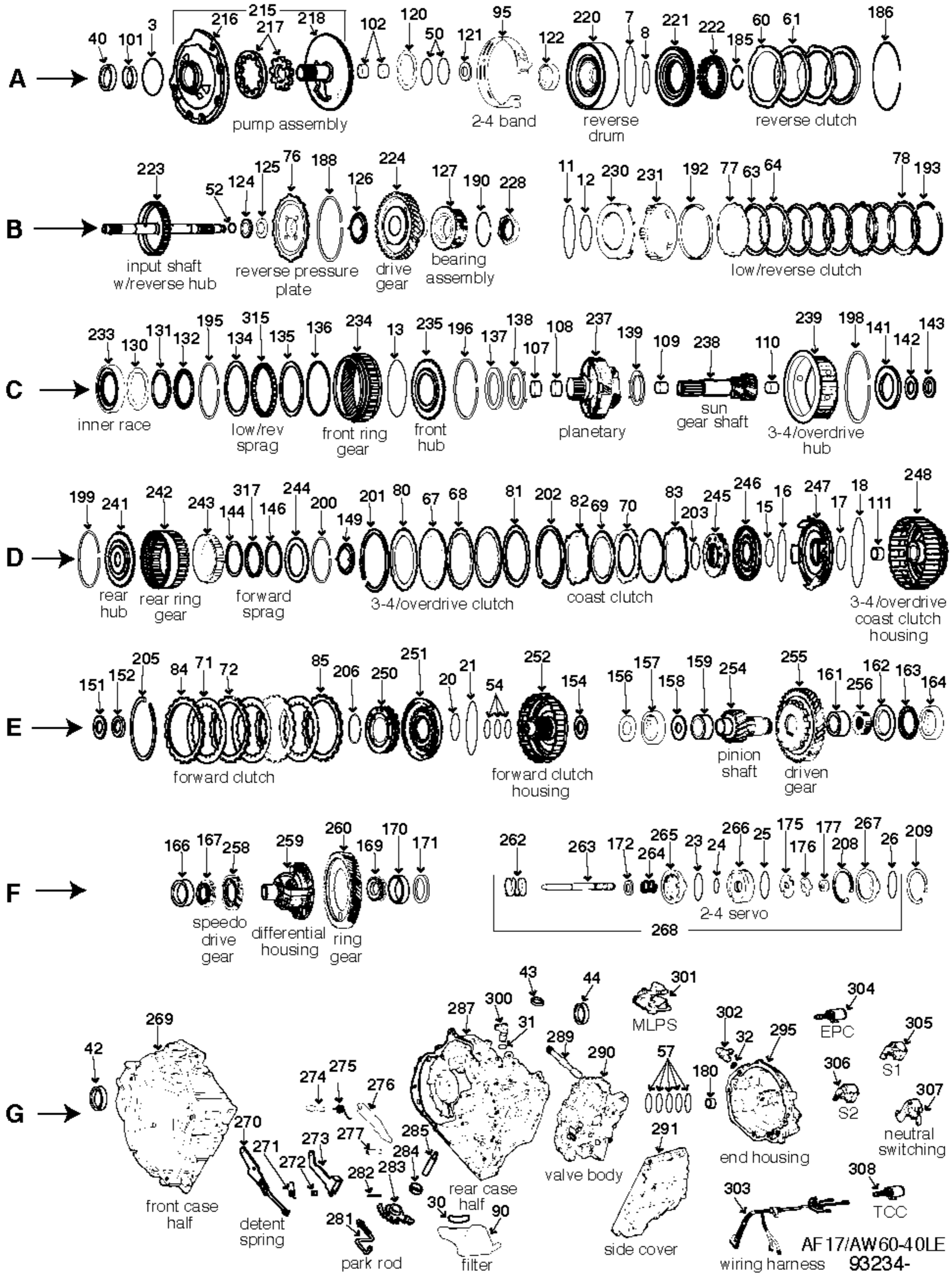
Toyota 5spd: Avalon 06-07, Camry 3.0 & 3.3L 04-06
Highlander 3.3 & 3.5L 04-08, Rav-4 3.5L 07-08
Sienna 3.3 & 3.5L 04-08, Solara 3.3L 04-07
Lexus 5spd: ES330 3.3L 04-06, RX330 3.3L 04-06, RX350 3.5L 07-08

It just ain't FIXED without it!



Product Support
626-443-7451





AF 17/AW60-40LE
93234-

ILL	DESCRIPTION	QTY	YEAR	REFERENCE #	PART #
TECHNICAL MANUALS					
K53	Tech manual AW60-40LE dis/assembly diagnosis/troubleshooting	1	93-09	n/a	010-479
REBUILDER KITS					
K4	Master deluxe rebuild kit AW60-40LE	1	92-03	AE	93234-10104
K4	Master deluxe rebuild kit AW60-41SN	1	98-09	AE	93234-10114
K5	Master kit w/steels AW60-40LE	1	92-03	AE	93234-11104
K5	Master kit w/steels AW60-41SN	1	98-09	AE	93234-11114
K6	Master kit w/o steels AW60-40LE	1	92-03	AE	93234-12104
K6	Master kit w/o steels AW60-41SN	1	98-09	AE	93234-12114
K7	O/H gasket set w/seals-rings AW60-40LE	1	92-03	2321	93234-13104
K13	Kit, valve body gaskets AW60-40LE (AF13-20)	1	92-99	FDB-4784	93234-16004
K13	Kit, valve body gaskets AW60-40LE (AF17)	1	99-03	FDB-4785	93234-16204
GASKETS AND RUBBER COMPONENTS					
A3	O'ring AW60-40LE (pump body to case)	1	92-09	90444666	93234-21204
G31	O'ring AW60-40LE (input speed sensor)	1	92-09	94385669	93234-23804
G32	O'ring AW60-40LE (output speed sensor)	1	92-09	94385669	93234-23804
n/i	Multi lip seal (boot) AW60-40LE (filler tube to case)	1	92-09	1259475	13925
n/i	Seal AW60-40LE (valve body to case)	2	92-09	90348723	93234-29204
n/i	Seal AW60-40LE (end housing to case)	4	92-09	90542614	93234-29404
n/i	Seal front case half to rear case half	3	92-09	903385669	93234-29604
METAL CLAD SEALS					
A40	Seal, metal clad AW60-40LE (front)	1	92-09	90348749	46200
G42	Seal, metal clad AW60-40LE (axle right)	1	98-09	27441-600G10	93234-30204
G43	Seal, metal clad 12x22x7mm AW60-40LE (manual lever shaft)	1	92-09	3520746-3	46202
G44	Seal, metal clad axle right/left (right to 1997)	2	92-09	90486078	93234-30104
SEALING RINGS					
K10	Kit, sealing ring AW60-40LE	1	92-09	FDB-3417	93234-31604
A50	Ring, sealing AW60-40LE (stator support)	2	92-09	90444665	93234-33304
B52	Ring, sealing AW60-40LE (input shaft small)	1	92-09	90348782	93234-33504
E54	Ring, sealing (butt cut) AW60-40LE (forward housing)	2	92-09	90444542	93234-33804
E54	Ring, sealing (scarf cut) AW60-40LE (forward housing)	1	92-09	90444674	93234-34004
G57	Ring, sealing AW60-40LE (end housing)	5	92-09	90444631	93234-34304
CLUTCH PLATES					
A60	Steel .071" 4.100" id 6T AW60-42LE (reverse clutch)	2	95-09	90444686	93234-37504
A60	Steel .071" 4.100" id 15T AW60-41SN (reverse clutch)	2	98-09	09120554	93234-37514
A61	Friction .071" 4.962" od 44T AW60-42LE (reverse clutch)	2	95-09	90444546	93234-35104
A61	Friction .071" 5.250" od 44T AW60-41SN (reverse clutch)	2	98-09	09120553	93234-35114
B63	Friction .067" 6.302" od 33T all (low/reverse clutch)	4	95-09	24220499	97248-35604
B64	Steel .071" 5.660" id 15T all (low/reverse clutch)	2	95-09	90444973	93234-37604
D67	Friction .067" 5.600" od 51T all (3-4/overdrive clutch)	2	95-09	90444669	93234-35304
D68	Steel .071" 4.680" id 36T all (3-4/overdrive clutch)	2/3	95-97	90444885	93234-37704
D68	Steel .098" 4.680" id 36T all (3-4/overdrive clutch)	1	98-09	115707-250	93234-37714
D69	Friction .067" 4.962" od 44T all (coast clutch)	2	95-09	90444685	93234-35404
D70	Steel .071" 4.092" id 16T all (coast clutch)	2/3	95-09	90444863	93234-37804
E71	Friction .067" 5.600" od 51T all (forward clutch)	2	95-09	90444669	93234-35304
E72	Steel .071" 4.680" id 20T all (forward clutch)	3	95-09	115701	93234-37904
E72	Steel .063" 4.680" id 20T forward clutch	3	02-03	115701-160	93234-38004
PRESSURE PLATES					
B76	Pressure plate reverse clutch	1	95-09	AE	93234-41103
B77	Pressure plate low/reverse clutch (apply)	1	95-09	AE	93234-41403
B78	Pressure plate low/reverse clutch	1	95-09	AE	93234-41603
D80	Pressure plate 3-4/overdrive clutch	1	95-09	AE	93234-42203
D81	Pressure plate 3-4/overdrive clutch (apply)	1	95-09	AE	93234-42503
D82	Pressure plate coast clutch	1	95-09	AE	93234-42903

AW60-40LE•AF13•AF17-AS17-4•AW60-41SN

AW60-40LE•41SN•AF13•17-AS17-4

ILL	DESCRIPTION	QTY	YEAR	REFERENCE #	PART #
PRESSURE PLATES (CONTINUED)					
E84	Pressure plate forward clutch	1	95-09	AE	93234-43203
FILTERS					
G90	Filter AW60-40LE	1	92-09	26445-60G10	93234-45004
BANDS					
A95	Band, flex AW60-40LE (2nd/4th)	1	95-09	26971-65G10	93234-47504
BUSHINGS					
K13	Kit, bushing AW60-40LE	1	95-09	AE	93234-50004
A101	Bushing AW60-40LE (pump body)	1	95-09	n/a	93234-50604
A102	Bushing AW60-40LE (pump stator)	2	95-09	n/a	93234-50704
C107	Bushing AW60-40LE (rear planetary front)	1	95-09	n/a	93234-51004
C108	Bushing AW60-40LE (rear planetary rear)	1	95-09	n/a	93234-51104
C109	Bushing AW60-40LE (rear sun gear front)	1	95-09	n/a	93234-51204
C110	Bushing AW60-40LE (rear sun gear rear)	1	95-09	n/a	93234-51204
WASHERS/BEARINGS/RACES/SHIMS					
K12	Kit, thrust bearing AW60-40LE	1	95-09	AE	93234-55104
A120	Thrust washer stator to reverse drum	1	55-09	n/a	93234-56104
A121	Bearing, thrust stator to reverse clutch hub	1	95-09	n/a	93234-56204
A122	Bearing, caged type stator to reverse drum (presses in drum)	1	95-09	n/a	93234-56304
B124	Bearing, thrust (open face 2 piece) input shaft w/rev hub to race	1	95-09	n/a	93234-56604
B125	Race, thrust bearing thrust bearing to pressure plate	1	55-09	n/a	93234-56804
B126	Thrust washer reverse pressure plate to drive gear	1	95-09	n/a	93234-57004
B127	Bearing, ball type w/retainer driven gear to rear case half	1	95-09	n/a	93234-57204
C130	Thrust washer inner sprag race to race (thrust bearing)	1	95-09	n/a	93234-57404
C131	Race, thrust bearing thrust washer to thrust bearing	1	95-09	n/a	93234-57504
C132	Bearing, thrust (open face 2 piece) race to front hub	1	55-09	n/a	93234-57604
C136	Washer, spacer sprag cap to front ring gear	1	95-09	n/a	93234-58004
C137	Bearing, thrust front hub to race (thrust bearing)	1	95-09	n/a	93234-58204
C138	Race, thrust bearing (4 tabs) thrust bearing to planetary	1	95-09	n/a	93234-58504
C139	Race, thrust bearing (4 tabs) planetary to thrust bearing	1	95-09	n/a	93234-58704
C141	Bearing, thrust (open face 2 piece) race to rear hub	1	95-09	n/a	93234-58904
C142	Bearing, thrust (open face 2 piece) sun gear to race (thrust bearing)	1	95-09	n/a	93234-59204
C143	Race, thrust bearing thrust bearing to rear hub	1	95-09	n/a	93234-59504
D149	Thrust washer rear hub to 3-4/overdrive/coast housing	1	95-09	n/a	93234-59904
E151	Bearing, thrust (open face 2 piece) 3-4/od/coast hsg to race (thrust bearing)	1	95-09	n/a	93234-60104
E152	Race, thrust bearing thrust bearing to forward housing	1	95-09	n/a	93234-60504
E154	Bearing, thrust forward housing to end housing	1	95-09	n/a	93234-60604
E156	Bearing, thrust (open face 2 piece) front case half to race (thrust bearing)	1	95-09	n/a	93234-61004
E157	Bearing, caged type front case half to race (caged bearing)	1	95-09	n/a	93234-61104
E158	Race, thrust bearing thrust bearing to pinion shaft	1	95-09	n/a	93234-61204
E159	Race, caged bearing pinion shaft to caged bearing	1	95-09	n/a	93234-61304
E161	Race, caged bearing pinion shaft to caged bearing	1	95-09	n/a	93234-61304
E162	Race, thrust bearing driven gear to thrust bearing	1	95-09	n/a	93234-61404
E163	Bearing, thrust (open face 2 piece) race (thrust bearing) to caged bearing	1	95-09	n/a	93234-61504
E164	Bearing, caged type rear case half to race (caged bearing)	1	95-09	n/a	93234-61104
F167	Bearing, cup/cone type differential housing to front case half	1	95-09	n/a	93234-61604
F169	Bearing, cup/cone type differential housing to rear case half	1	95-09	n/a	93234-61604
F171	Shim caged bearing to rear case half	sel	95-09	n/a	93234-61704
SNAP RINGS					
A185	Snap ring reverse clutch retainer w/springs	1	95-09	AE	93234-62103
A186	Snap ring reverse clutch pressure plate (bottom)	1	95-09	AE	93234-62503
B188	Snap ring reverse clutch pressure plate (top)	1	95-09	AE	93234-62903
E190	Snap ring drive gear to rear housing	1	95-09	AE	93234-63203
B192	Snap ring low/reverse clutch retainer w/springs	1	95-09	AE	93234-63303

ILL	DESCRIPTION	QTY	YEAR	REFERENCE #	PART #
SNAP RINGS (CONTINUED)					
B193	Snap ring low/reverse clutch pressure plate	1	95-09	AE	93234-63503
C195	Snap ring low/reverse sprag	1	95-09	AE	93234-63803
C196	Snap ring front ring gear hub	1	95-09	AE	93234-64103
C198	Snap ring 3-4/overdrive clutch hub	1	95-09	AE	93234-64503
D199	Snap ring rear ring gear hub	1	95-09	AE	93234-65003
D200	Snap ring forward sprag	1	95-09	AE	93234-65403
D201	Snap ring 3-4/overdrive clutch pressure plate	1	95-09	AE	93234-65803
D202	Snap ring coast clutch pressure plate	1	95-09	AE	93234-66003
D203	Snap ring coast clutch retainer w/springs	1	95-09	AE	93234-66303
E205	Snap ring forward clutch pressure plate	1	95-09	AE	93234-66503
E206	Snap ring forward clutch retainer w/springs	1	95-09	AE	93234-66803
PUMP PARTS AND PUMPS					
A215	Pump assembly need exchange	1	95-09	AE	93234-67003
HARD PARTS					
A220	Drum, reverse clutch AW60-40LE	1	95-09	AE	93234-72303
A221	Piston, reverse clutch AW60-40LE	1	95-09	AE	93234-72603
A222	Retainer, w/springs AW60-40LE (reverse clutch)	1	95-09	AE	93234-72703
B223	Shaft, input w/reverse hub AW60-40LE	1	95-09	AE	93234-73003
B224	Gear, drive transfer AW60-40LE	1	95-09	AE	93234-73203
B228	Nut, drive transfer gear AW60-40LE	1	95-09	AE	93234-73403
B230	Piston, low/reverse clutch AW60-43LE	1	95-09	AE	93234-73503
B231	Retainer, w/springs AW60-40LE (low/reverse clutch)	1	95-09	AE	93234-73603
C233	Race, inner AW60-40LE (low/reverse sprag)	1	95-09	AE	93234-74003
C234	Gear, front ring AW60-40LE	1	95-09	AE	93234-74503
C235	Hub, front ring gear AW60-40LE	1	95-09	AE	93234-74703
C237	Planetary AW60-40LE	1	95-09	AE	93234-75003
C238	Shaft, sun gear AW60-40LE	1	95-09	AE	93234-75503
C239	Hub, 3-4/overdrive clutch AW60-40LE	1	95-09	AE	93234-76003
D241	Hub, rear ring gear AW60-40LE	1	95-09	AE	93234-76303
D242	Gear, front ring AW60-40LE	1	95-09	AE	93234-76503
D243	Race, outer forward sprag AW60-40LE	1	95-09	AE	93234-77003
D245	Retainer, w/springs AW60-40LE (3-4/overdrive clutch)	1	95-09	AE	93234-77503
D246	Piston, coast clutch AW60-40LE	1	95-09	AE	93234-78003
D247	Piston, 3-4/overdrive clutch AW60-40LE	1	95-09	AE	93234-78303
D248	Housing, 3-4/overdrive/coast clutch AW60-40LE	1	95-09	AE	93234-78603
E250	Retainer, w/springs AW60-40LE (forward clutch)	1	95-09	AE	93234-78803
E251	Piston, forward clutch AW60-40LE	1	95-09	AE	93234-78903
E252	Housing, forward clutch AW60-40LE	1	95-09	AE	93234-79503
E255	Shaft, pinion AW60-40LE	1	95-09	AE	93234-80303
E255	Gear, driven transfer AW60-40LE	1	95-09	AE	93234-80603
E256	Nut, transfer gear to pinion shaft AW60-40LE	1	95-09	AE	93234-81003
F259	Differential assembly AW60-40LE	1	95-09	AE	93234-81603
F260	Gear, ring differential AW60-40LE	1	95-09	AE	93234-82003
G262	Spring, 2nd/4th servo AW60-40LE	1	95-09	AE	93234-83403
G268	Servo, assembly 2nd/4th AW60-40LE	1	95-09	AE	93234-83503
G270	Roller, detent (spring) AW60-40LE	1	95-09	AE	93234-82903
G274	Pin, park pawl AW60-40LE	1	95-09	AE	93234-83003
G275	Spring, park pawl AW60-40LE	1	95-09	AE	93234-83203
G276	Pawl, park AW60-40LE	1	95-09	AE	93234-83103
G283	Cone, rooster AW60-40LE	1	95-09	AE	93234-82803
G285	Shaft, manual lever AW60-40LE	1	95-09	AE	93234-82703
G295	Housing, end (cover) AW60-40LE	1	95-09	AE	93234-80103
n/i	Baffle, oil AW60-40LE	1	95-09	AE	93234-82403

NEW PART NO 50185

BorgWarner PART NO. 50185

**OEM Heavy Duty Replacement
Governor Pressure Solenoid fits
Dodge/Jeep 42/44/46/47/48 RE transmissions**



BorgWarner



BorgWarner carries a full line of OEM quality clutch plates, transmission bands, one-way clutches, and electronic transmission solenoids that are 100% guaranteed to fit your rebuilds.

We're stable under pressure.

BorgWarner's new Governor Pressure Solenoid will not flood out at increased line pressures and can be used in modified and high performance transmissions as well as stock units. It delivers all the benefit of much more expensive aftermarket solenoid adapter kits for just the price of a solenoid, and with better reliability and no extra parts to change out.

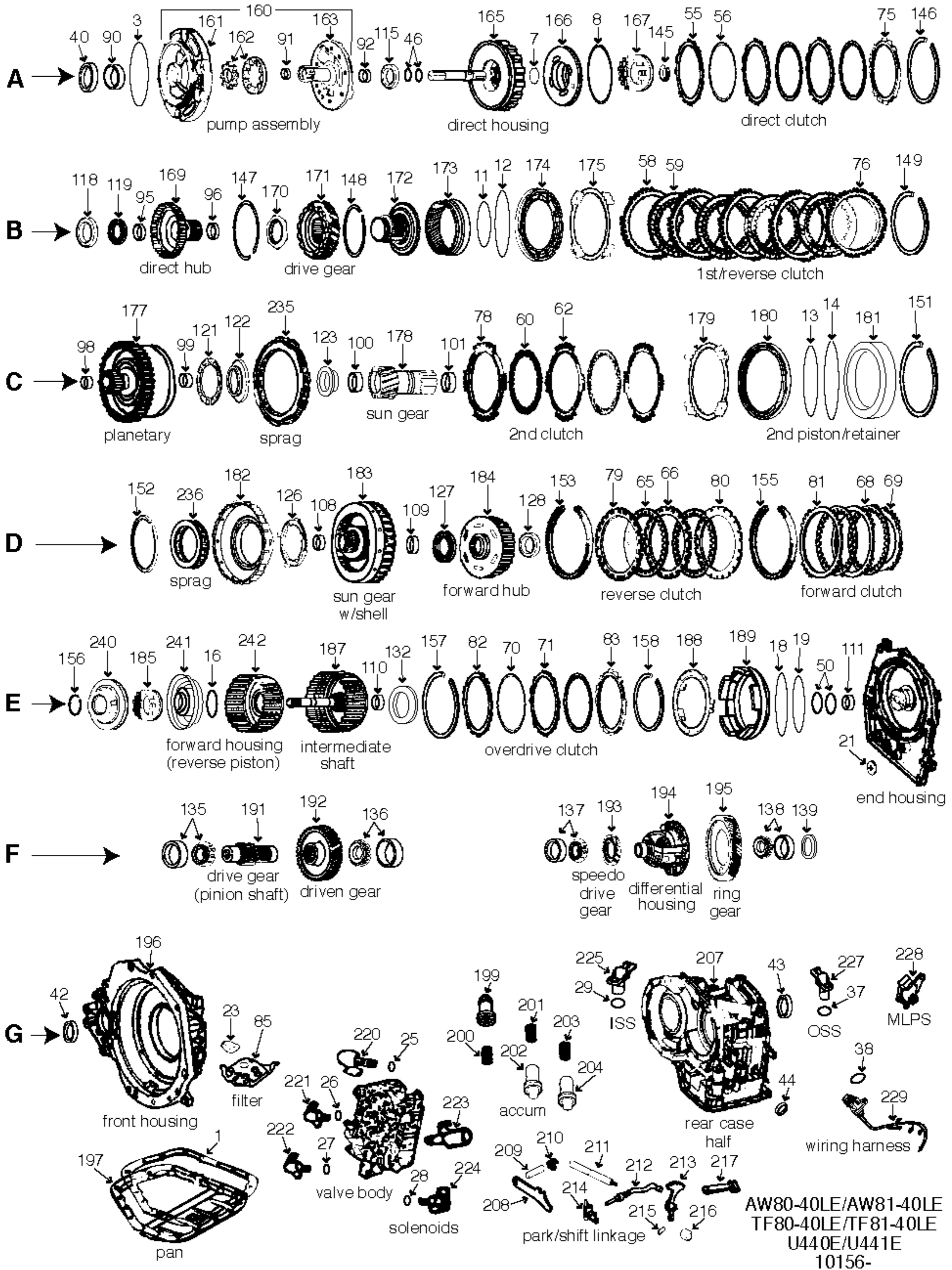
The extra size gives you more **magnet force, more spool valve force, 15% more flow capacity than the OE brand**, all of which adds up to a wide safety margin of stable pressure to ensure reliable shifting under all conditions.

Call your authorized distributor today and ask for genuine OEM quality solenoids from the global leader in automatic transmission technology...BorgWarner Inc.



The BorgWarner Indianapolis 500 Trophy is a registered trademark of BorgWarner Inc.





AW80-40LE•AW81-40LE•U440E•U441E•TF80-40LE•TF81-40LE

AW80•81-40LE•U440•41E•TF80•81-40LE

ILL	DESCRIPTION	QTY	YEAR	REFERENCE #	PART #
TECHNICAL MANUALS					
K53	Tech manual AW80/81 dis/assembly diagnosis/troubleshooting	1	04-10	n/a	010-334
REBUILDER KITS					
K5	Master kit w/steels w/pistons	1	04-10	AE	10156-11004
K5	Master kit w/steels w/o pistons	1	04-10	AE	10156-11104
K6	Master kit w/o steels w/pistons	1	04-10	AE	10156-12004
K6	Master kit w/o steels w/o pistons	1	04-10	AE	10156-12104
K11	O/H gasket set w/seals-rings w/pistons	1	04-10	AE	10156-13004
K7	O/H gasket set w/seals-rings w/o pistons	1	04-10	2522	10156-13104
VALVE BODY KITS					
K15	Shift Kit® AW80/81-40LE	1	04-10	n/a	10150-17009
K15	Shift Kit® AW80/81-40LE	1	04-10	n/a	10156-17009
GASKETS AND RUBBER COMPONENTS					
G1	Gasket, oil pan AW80/81-40LE	1	04-10	B11534	10156-18004
n/i	Gasket, valve body spacer plate to case (upper)	1	04-10	B36435	10156-28304
n/i	Gasket, valve body spacer plate to valve body (lower)	1	04-10	B36436	10156-28604
METAL CLAD SEALS					
G40	Seal, metal clad front	1	04-10	B29172	46200
G42	Seal, metal clad right axle	1	04-10	B37099	10156-30204
G43	Seal, metal clad left axle	1	04-10	B37098	10156-30504
SEALING RINGS					
K10	Kit, sealing ring	1	04-10	3521	10156-31504
CLUTCH PLATES					
A55	Steel .079" 4.005" id 12T direct clutch	1	04-10	187703-200	10156-37504
A55	Steel .071" 3.980" id 16T direct clutch	1	04-10	187703A-180	10156-37604
A55	Steel .091" 3.980" id 16T direct clutch (8 notches)	1	04-10	187703B-230	10156-37704
A56	Friction .073" 4.679" od 36T direct clutch	2	04-10	187702-185	10156-35104
B58	Steel .079" 5.146" id 12T 1st/reverse clutch	2	04-10	187707-200	10156-37804
B59	Friction .073" 6.062" od 50T 1st/reverse clutch	2	04-10	187706-185	10156-35204
C60	Friction .073" 5.565" od 48T 2nd clutch	4	04-10	187708-185	10156-35304
C62	Steel .072" 5.044" id 12T 2nd clutch	4	04-10	187709-183	10156-37904
D65	Friction .073" 4.622" od 30T reverse clutch	2	04-10	187704-185	10156-35404
D66	Steel .079" 5.146" id 12T reverse clutch	2	04-10	187705-183	10156-38004
D68	Friction .073" 4.418" od 30T forward clutch	4	04-10	187700-185	10156-35504
D69	Steel .072" 3.786" id 18T forward clutch	4	04-10	187701-183	10156-38104
E70	Friction .073" 6.615" od 36T overdrive clutch	2	04-10	187710-185	10156-35604
E71	Steel .071" 5.878" id 12T overdrive clutch	1	04-10	187711-180	10156-38204
E71	Steel .080" 5.878" id 12T overdrive clutch	1	04-10	187711-203	10156-38304
E71	Steel .087" 5.878" id 12T overdrive clutch	1	04-10	187711-220	10156-38404
PRESSURE PLATES					
A75	Pressure plate direct clutch	1	04-10	AE	10156-41103
B76	Pressure plate 1st/reverse clutch	1	04-10	AE	10156-41403
C78	Pressure plate 2nd clutch	1	04-10	AE	10156-41803
D79	Pressure plate reverse clutch (backing)	1	04-10	AE	10156-42203
D80	Pressure plate reverse clutch (apply)	1	04-10	AE	10156-42503
D81	Pressure plate forward clutch	1	04-10	AE	10156-42703
E82	Pressure plate overdrive clutch (backing)	1	04-10	AE	10156-43003
E83	Pressure plate overdrive clutch (apply)	1	04-10	AE	10156-43203
FILTERS					
K9	Kit, filter AW80/81-40LE	1	04-10	AE	10156-43504
G85	Filter AW80/81-40LE	1	04-10	35330-52010	10156-45004

AW80-40LE•AW81-40LE•U440E•U441E•TF80-40LE•TF81-40LE

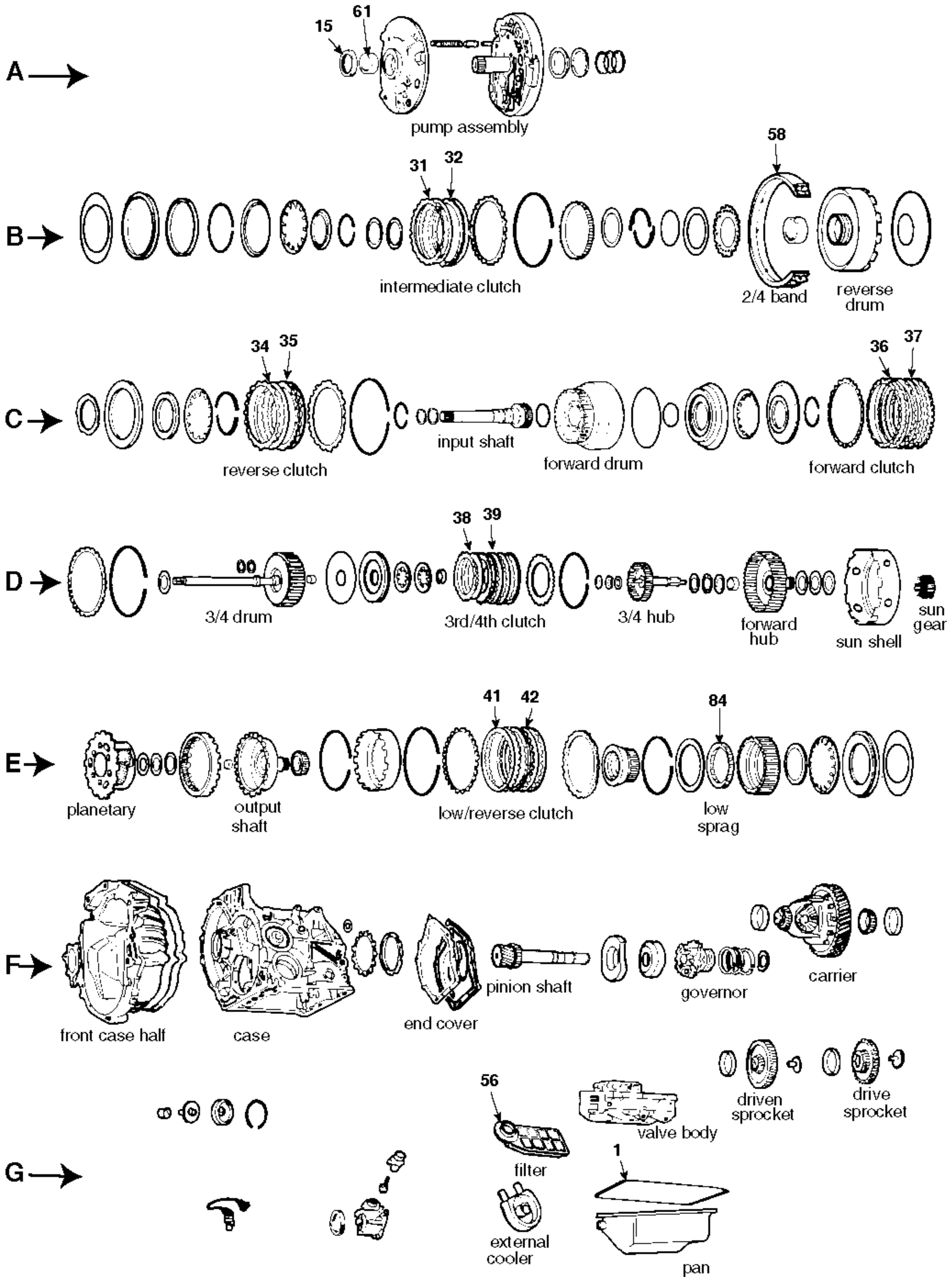
AW80-81-40LE•U440•41E•TF80•81-40LE

ILL	DESCRIPTION	QTY	YEAR	REFERENCE #	PART #
BUSHINGS					
K13	Kit, bushing	1	04-10	n/a	10156-50004
A90	Bushing	1	04-10	n/a	10156-50604
A91	Bushing	1	04-10	n/a	10156-50704
A92	Bushing	1	04-10	n/a	10156-50804
B95	Bushing	1	04-10	n/a	10156-50904
B96	Bushing	1	04-10	n/a	10156-51004
C98	Bushing	1	04-10	n/a	10156-51104
C99	Bushing	1	04-10	n/a	10156-51204
C100	Bushing	1	04-10	n/a	10156-51304
C101	Bushing	1	04-10	n/a	10156-51404
D108	Bushing	1	04-10	n/a	10156-51504
D109	Bushing	1	04-10	n/a	10156-51604
E110	Bushing	1	04-10	n/a	10156-51704
WASHERS/BEARINGS/RACES/SHIMS					
K12	Kit, thrust bearing	1	04-10	n/a	10156-55104
A115	Bearing, thrust	1	04-10	n/a	10156-56104
B118	Race, thrust bearing	1	04-10	na/	10156-56304
B119	Bearing, thrust	1	04-10	n/a	10156-56404
C121	Bearing, thrust	1	04-10	n/a	10156-56704
C122	Bearing, thrust	1	04-10	n/a	10156-56804
C123	Race, thrust bearing	1	04-10	n/a	10156-56904
D126	Thrust washer (4 tabs)	1	04-10	n/a	10156-57304
D127	Bearing, thrust	1	04-10	n/a	10156-57404
D128	Bearing, thrust	1	04-10	n/a	10156-57504
E132	Bearing, thrust	1	04-10	n/a	10156-58204
F135	Bearing, cup/cone	1	04-10	n/a	10156-61004
F136	Bearing, cup/cone	1	04-10	n/a	10156-61104
F137	Bearing, cup/cone	1	04-10	n/a	10156-61204
F138	Bearing, cup/cone	1	04-10	n/a	10156-61304
SNAP RINGS					
A145	Snap ring	1	04-10	AE	10156-62103
A146	Snap ring	1	04-10	AE	10156-62203
B147	Snap ring	1	04-10	AE	10156-62303
B148	Snap ring	1	04-10	AE	10156-62403
B149	Snap ring	1	04-10	AE	10156-62503
C151	Snap ring	1	04-10	AE	10156-62603
D152	Snap ring	1	04-10	AE	10156-62703
D153	Snap ring	1	04-10	AE	10156-62803
D155	Snap ring	1	04-10	AE	10156-63203
E156	Snap ring	1	04-10	AE	10156-63403
E157	Snap ring	1	04-10	AE	10156-63703
E158	Snap ring	1	04-10	AE	10156-64103
PUMP PARTS AND PUMPS					
A160	Pump assembly	1	04-10	AE	10156-67003
A162	Gears, pump	1.	04-10	n/a	10156-77104
A163	Support, pump	1	04-10	AE	10156-77203
HARD PARTS					
A165	Housing, direct clutch	1	04-10	AE	10156-72103
A166	Piston, direct clutch	1	04-10	AE	10156-72503
A167	Retainer, direct clutch	1	04-10	AE	10156-72603
B169	Hub, direct clutch	1	04-10	AE	10156-73003
B170	Nut	1	04-10	AE	10156-73103
B171	Gear, drive	1	04-10	AE	10156-73203

AW80-40LE•AW81-40LE•U440E•U441E•TF80-40LE•TF81-40LE

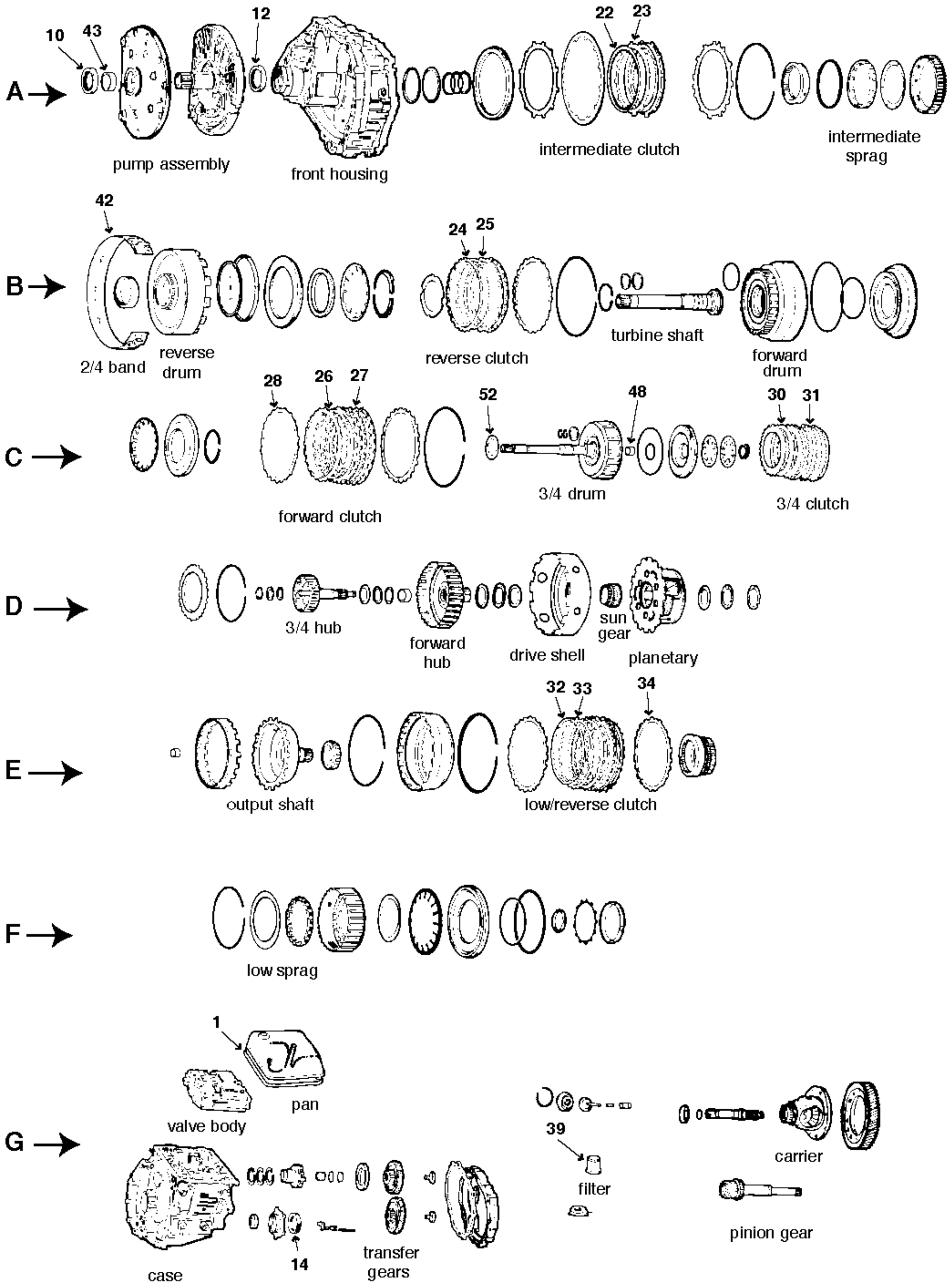
AW80•81-40LE•U440•41E•TF80•81-40LE

ILL	DESCRIPTION	QTY	YEAR	REFERENCE #	PART #
HARD PARTS (CONTINUED)					
B172	Hub, drive gear	1	04-10	AE	10156-73503
B173	Gear, ring gear	1	04-10	AE	10156-73603
B174	Piston, 1st/reverse clutch	1	04-10	AE	10156-73703
B175	Retainer, 1st/reverse clutch	1	04-07	AE	10156-73803
C177	Planetary assembly	1	04-10	AE	10156-74003
C178	Gear, sun	1	04-10	AE	10156-74503
C179	Spring, w/retainer 2nd clutch	1	04-07	AE	10156-74803
C180	Piston, 2nd clutch	1	04-10	AE	10156-74903
D182	Race, outer sprag	1	04-10	AE	10156-75403
D183	Shell, w/sun gear (inner sprag race)	1	04-10	AE	10156-75503
D184	Hub, forward clutch	1	04-10	AE	10156-75803
E187	Housing, intermediate shaft	1	04-10	AE	10156-76003
E188	Retainer, w/springs	1	04-10	AE	10156-76203
E189	Piston, overdrive clutch	1	04-10	AE	10156-76303
E190	Housing, end cover	1	04-10	AE	10156-76503
F191	Shaft, pinion	1	04-10	AE	10156-76603
F192	Gear, driven	1	04-10	AE	10156-77003
F194	Differential, assembly	1	04-10	AE	10156-78003
G199	Piston, accumulator	1	04-10	AE	10156-78503
G200	Spring, accumulator	1	04-10	AE	10156-78803
G201	Spring, accumulator	1	04-10	AE	10156-78903
G202	Piston, accumulator	1	04-10	AE	10156-78603
G203	Spring, accumulator	1	04-10	AE	10156-79003
G204	Piston, accumulator	1	04-10	AE	10156-78703
G205	Pawl, park	1	04-10	AE	10156-80103
G206	Pin, park	1	04-10	AE	10156-80203
G207	Spring, park pawl	1	04-10	AE	10156-80303
G208	Shaft, shift	1	04-10	AE	10156-80403
G209	Guide, park rod	1	04-10	AE	10156-80503
G210	Rod, park	1	04-10	AE	10156-80603
G211	Cone, rooster	1	04-10	AE	10156-80703
G212	Pin, roll shift shaft	1	04-10	AE	10156-80803
G213	Spacer, shift shaft (sleeve)	1	04-10	AE	10156-80903
G214	Spring, detent	1	04-10	AE	10156-81003
ELECTRICAL COMPONENTS					
G220	Solenoid	1	04-10	n/a	10156-85004
G221	Solenoid	1	04-10	n/a	10156-85104
G222	Solenoid	1	04-10	n/a	10156-85204
G222	Solenoid	1	04-10	n/a	10156-85304
G223	Solenoid	1	04-10	n/a	10156-85404
G225	Sensor	1	04-10	n/a	10156-86504
G227	Sensor	1	04-10	n/a	10156-86604
G228	Switch, MLPS	1	04-10	n/a	10156-90104
G229	Harness, internal wiring	1	04-10	n/a	10156-90303
SPRAGS					
D235	Sprag, assembly	1	04-10	n/a	10156-94004
D235	Sprag assembly	1	04-10	AE	10156-94003
D236	Sprag, w/washers	1	04-10	n/a	10156-94104
BONDED PISTONS					
E240	Piston, bonded rubber	1	04-10	93741601	10156-96104
E241	Piston, bonded rubber	1	04-10	93741562	10156-96204
E242	Piston, bonded rubber	1	04-10	93741550	10156-96304

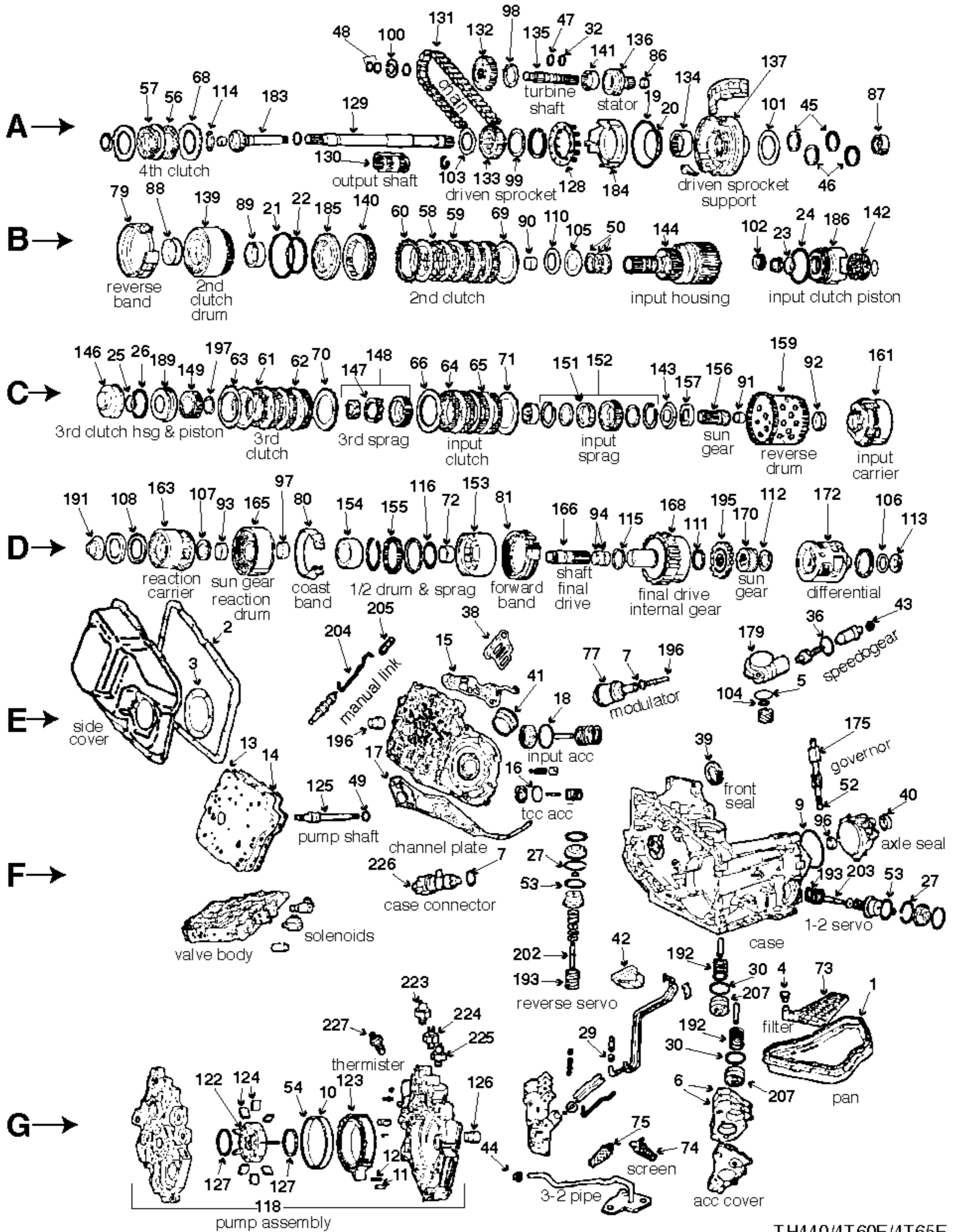


ZF4HP14
82000

ILL	DESCRIPTION		QTY	YEAR	REFERENCE #	PART #
REBUILDER KITS						
K5	Master kit w/steels	ZF4HP14	1	85-97	AE	K8200
K6	Master kit w/o steels	ZF4HP14	1	85-97	AE	K8200-LS
K7	O/H gasket set w/seals-rings	ZF4HP14	1	84-97	AE	K82900
GASKETS AND RUBBER COMPONENTS						
G1	Gasket, oil pan	ZF4HP14	1	85-97	7592330	13411X
n/i	Gasket	ZF4HP14	1	85-97	n/a	13415
n/i	Seal, lathe cut filter	ZF4HP14	1	85-97	n/a	13418
METAL CLAD SEALS						
A15	Seal, metal clad 40x52x7mm	front (pump)	1	85-97	24-31-1-207-433	56200D
n/i	Seal, metal clad	right/left axle	1/2	85-97	24-13-1-218-844	82154
n/i	Seal, metal clad	differential	1	85-97	n/a	82155
n/i	Seal, metal clad 12x22x7mm	shift shaft	1	85-97	0634-300-040	46202
SEALING RINGS						
K10	Kit, sealing ring	ZF4HP14	1	85-97	AE	K82300
CLUTCH PLATES						
B31	Friction .061" 5.778" od 30T	intermediate clutch (C)	4	85-97	1036-202-018	82101
B32	Steel .071" 4.730" id 24T	intermediate clutch (C)	4	85-97	1036-302-015	82100
C34	Friction .077" 5.309" od 30T	reverse clutch (B)	3	85-97	1036-202-028	82107
C35	Steel .071" 4.730" id 24T	reverse clutch (B)	3	85-97	1036-302-015	82100
C36	Friction .061" 5.778" od 30T	forward clutch (A)	3	85-97	1036-202-018	82101
C37	Steel .071" 4.730" id 24T	forward clutch (A)	4	85-97	1036-302-015	82100
D38	Friction .061" 3.853" od 36T	3rd/4th clutch (E)	5	85-97	1036-230-033	82105
D39	Steel .071" 2.996" id 30T	3rd/4th clutch (E)	5	85-97	1036-330-036	82104
E41	Friction .061" 5.778" od 30T	low/reverse clutch (D)	5	85-97	1036-217-005	82103
E42	Steel .047" 4.730" id 24T	low/reverse clutch (D)	5	85-97	1036-317-006	82102
n/i	Steel, waved .040" 4.730" id 24T	forward/reverse/intermediate clutch	1	85-97	1036-302-041	82106
n/i	Steel, waved .040" 4.730" id 21T	low/reverse clutch (D)	1	85-97	1036-302-058	82108
n/i	Steel, waved .051" 4.730" id 21T	low/reverse clutch (D)	1	85-97	1036-302-059	82109
FILTERS						
K9	Kit, Filter	ZF4HP14	1	85-97	AE	FK82800
G56	Filter	ZF4HP14	1	85-97	1036-226-013	83800
BANDS						
B58	Band, 2-4 brake	1.180" wide	1	85-97	0501-204-331	82700
BUSHINGS						
K13	Kit, bushing	2 piece input and stator shaft	1	85-97	n/a	K82902
A61	Bushing .500"	ZF4HP14	1	85-97	0501-311-526	56005
n/i	Bushing, stator (rear)	ZF4HP14	1	85-97	n/a	82001
PUMP PARTS AND PUMPS						
n/i	Pump assembly	ZF4HP14	1	85-97	AE	82200-R
SPRAGS						
E84	Sprag, low roller one way clutch	ZF4HP14	1	85-97		82500
NOTES						



ILL	DESCRIPTION	QTY	YEAR	REFERENCE #	PART #	
TECHNICAL MANUALS						
K53	Tech manual ZF4HP18FL dis/assembly	diagnosis/troubleshooting	1	86-98	83-ZF4HP18TM	010-404
K53	Tech manual supplement ZF4HP18Q	changes to 4HP18FL	1	86-98	83-ZF4HP18QTM	010-464
REBUILDER KITS						
K5	Master kit w/steels	ZF4HP18Q	1	86-98	AE	K8600
K6	Master kit w/o steels	ZF4HP18Q	1	86-98	AE	K8600-LS
K7	O/H gasket set w/seals-rings	ZF4HP18Q	1	86-98	AE	K86900
GASKETS AND RUBBER COMPONENTS						
G1	Gasket, oil pan	ZF4HP18Q	1	86-98	01F-321-371	13412R
n/i	O'Ring, oil filter	large 51.4x2.9mm	1	86-98	n/a	23080
n/i	O'Ring, oil filter	small 49.8x2.0mm	1	86-98	n/a	23081
METAL CLAD SEALS						
A10	Seal, metal clad	front	1	86-98	83505225	83151
A12	Seal, metal clad	left axle	1	90-98	8721078	86154
A12	Seal, metal clad	Alfa Romeo 164 (left and right axle)	2	86-98	0750-111-220	86155
G14	Seal, metal clad	right axle	1	86-98	8724878	86153
n/i	Seal, metal clad	speedo gear housing	1	86-98	FU03-27-238	65202
n/i	Seal, metal clad 12x22x7mm	shift shaft	1	86-98	0634-300-040	46202
SEALING RINGS						
K10	Kit, sealing ring	ZF4HP18Q	1	86-98	AE	K83300
CLUTCH PLATES						
A22	Friction .063" 5.625" od 48T	(C) intermediate clutch	3	86-98	1043-217-002	56106A
A23	Steel .071" 4.728" id 12T	(C) intermediate clutch	3	86-98	1043-317-062	56101
B24	Friction .079" 5.792" od 30T	(B) reverse clutch	3	90-98	1056-272-024	83103
B24	Friction (not in kit)	Alpha Romeo (B) reverse clutch	3/4	91-95	1056-210-031	83103A
B25	Steel .071" 5.204" id 24T	(B) reverse clutch	3	86-98	1050-302-011	83100
C26	Friction .063" 5.778" od 30T	(A) forward clutch	5	86-98	1050-202-035	83101
C27	Steel .071" 5.204" id 24T	(A) forward clutch	5	86-98	1050-302-011	83100
C28	Steel, waved .040" 5.204" id 24T	(A) forward clutch	1	86-98	1050-302-012	83115
C30	Friction .063" 4.250" od 36T	(E) 3rd/4th clutch	5	86-98	1050-230-032	83107
C31	Steel .071" 3.079" id 30T	(E) 3rd/4th clutch	5	86-98	1050-230-059	83104
E32	Friction .063" 5.778" od 30T	(D) low/reverse clutch	6	86-98	1050-217-002	83101
E33	Steel .071" 5.204" id 24T	(D) low/reverse clutch	6	86-98	1050-302-011	83100
E34	Steel, waved .040" 5.204" id 24T	(D) low/reverse clutch	1	86-98	1050-302-012	83115
FILTERS						
G39	Filter, oil	ZF4HP18Q	1	86-98	1050-311-497	86800
BANDS						
B42	Band, flex	ZF4HP18FL	1	86-98	0501-207-503	83700
BUSHINGS						
K13	Kit, bushing	2 pcs - input and stator shaft	1	86-98	AE	K83902
K13	Kit, bushing	5 pieces	1	86-98	AE	K86901
A43	Bushing	front pump body	1	86-98	n/a	86001
C48	Bushing	3rd/4th housing	1	86-98	n/a	83002
n/i	Bushing	pump stator (front)	1	86-98	n/a	83007
n/i	Bushing	pump stator (rear)	1	86-98	n/a	56003
n/i	Bushing	turbine shaft (rear)	1	86-98	n/a	83006
WASHERS/BEARINGS/RACES/SHIMS						
C52	Thrust washer	3rd/4th housing	1	86-98	0730-150-726	83401
PUMP PARTS AND PUMPS						
n/a	Pump assembly	ZF4HP18Q	1	86-98	AE	86200-R
NOTES						



4T65E has no modulator

TH440/4T60E/4T65E
66000/A/B

ILL	DESCRIPTION	QTY	YEAR	REFERENCE #	PART #
TECHNICAL MANUALS					
K53	Tech manual TH440-T4/4T60 dis/assembly diagnosis/troubleshooting	1	83-93	83-440TTM	010-308
K53	Tech manual 4T60-E dis/assembly diagnosis/troubleshooting	1	91-00	83-4T60ETM	010-313
K53	Update handbook changes, parts interchangeability and part # TH440-T4	1	83-89	83-440TTM-U1	010-312
K53	Update handbook changes, parts interchangeability and part # TH440-T4	1	90-92	83-440TTM-U2	010-315
K53	Tech manual 4T65-E dis/assembly diagnosis/troubleshooting	1	97-06	83-4T65ETM	010-324
K53	Tech manual update handbook 4T65E changes/interchangeability	1	97-06	4T65E-update	010-321
REBUILDER KITS					
K4	Master deluxe rebuild kit TH440-T4/4T60	1	83-86	AE	K6600-R
K4	Master deluxe rebuild kit TH440-T4/4T60	1	83-93	AE	K6600A-R
K4	Master deluxe rebuild kit 4T60-E	1	91-93	AE	K6600E-R
K4	Master deluxe rebuild kit 4T65-E	1	97-00	AE	K6600B-R
K4	Master deluxe rebuild kit 4T60-E	1	94-00	AE	K6600C-R
K4	Master deluxe rebuild kit 4T65-E	1	01-02	AE	K6600D-R
K4	Master deluxe rebuild kit 4T65-E	1	03-09	AE	K6600F-R
K5	Master kit w/steels TH440-T4/4T60	1	83-86	AE	K6600
K5	Master kit w/steels TH440-T4/4T60	1	83-93	AE	K6600A
K5	Master kit w/steels 4T60-E	1	91-93	AE	K6600E
K5	Master kit w/steels 4T65-E	1	97-00	AE	K6600B
K5	Master kit w/steels 4T60-E	1	94-00	AE	K6600C
K5	Master kit w/steels 4T65-E	1	01-02	AE	K6600D
K5	Master kit w/steels w/o manual shift 4T65-E	1	03-09	AE	K6600F
K5	Master kit w/steels w/manual shift 4T65-E	1	04-09	AE	K6600G
K5	Master kit w/steels Volvo	1	99-02	AE	K6600H
K6	Master kit w/o steels TH440-T4/4T60	1	83-86	AE	K6600-LS
K6	Master kit w/o steels TH440-T4/4T60	1	86-93	AE	K6600A-LS
K6	Master kit w/o steels 4T60-E	1	91-93	AE	K6600E-LS
K6	Master kit w/o steels 4T65-E	1	97-00	AE	K6600B-LS
K6	Master kit w/o steels 4T60-E	1	94-00	AE	K6600C-LS
K6	Master kit w/o steels 4T65-E	1	01-02	AE	K6600D-LS
K6	Master kit w/o steels w/o manual shift 4T65-E	1	03-09	AE	K6600F-LS
K6	Master kit w/o steels w/manual shift 4T65-E	1	04-09	AE	K6600G-LS
K6	Master kit w/o steels Volvo	1	99-02	AE	K6600H-LS
K7	O/H gasket set w/seals-rings TH440-T4/4T60	1	83-93	AE	K66900
K7	O/H gasket set w/seals-rings 4T60-E	1	91-00	AE	K66900A
K7	O/H gasket set w/seals-rings 4T65-E	1	97-09	AE	K66900B
K7	O/H gasket set w/seals-rings Volvo	1	99-02	AE	K66900H
K8	External seal kit TH440-T4/4T60	1	83-93	AE	K66900-2
K11	Gasket and seal kit TH440-T4/4T60	1	83-93	AE	K66900-1
K11	Gasket and seal kit 4T60-E	1	91-00	AE	K66900A-1
K11	Gasket and seal kit 4T65-E	1	97-09	AE	K66900B-1
VALVE BODY KITS					
K15	Shift Kit® 3 pack TH440 (fix 3-VB/servo/drum/accm/cl parts)	1	83-93	SK® 440-3	K66908
K15	Shift Kit®-Jr (fix sticking TV) TH440 (2nd clutch fail up shifts/LU/PR)	1	83-93	SK® 440-Jr	K66908A
K15	Reverse cushion kit TH440 (correct slide bang rev)	1	83-93	440RK	K66908B
K15	Lube and end play kit TH440 (reduces 3rd roller burn up)	1	83-93	SK® 440LK	K66908C
K15	Shift Kit® reduce codes P01811/0741 4T65E (no 4th/low press)	1	97-04	SK® 4T65E	K66908D
K15	Shift Kit®-Jr (fixes converter shudder) 4T60E (worn valve body)	1	91-00	SK® 4T60E-Jr	K66908E
K15	Converter Shudder Kit® (corrects/reduces) 4T60E (light throttle lock-up shudder)	1	91-00	SK® 4T60E-LUK™	K66908S
K15	Shift correction pkg (TCC shudder) TH440 (soft 1-2/burned 2nd and 3rd clutch)	1	83-93	K440-T4	S66908A
K15	Shift correction pkg (low line press) 4T65E (exces TCC slip/slide bang fwd eng)	1	97-05	K4T65E	S66908D

440•TH440-T4•4T60•4T60E•4T65E

TH440-T4•4T60•E•4T65E

ILL	DESCRIPTION	QTY	YEAR	REFERENCE #	PART #
GASKETS AND RUBBER COMPONENTS					
F1	Gasket, oil pan TH440 (neoprene/cork)	1	83-92	8656396	13966X
F1	Gasket, oil pan TH440 (Duraprene®)	1	83-92	8668028	13966D
F1	Gasket, oil pan 4T60E/65E (neoprene/cork)	1	91-09	8676250	13997X
F1	Gasket, oil pan 4T60E/65E (Duraprene®)	1	91-09	8676250	13997D
F1	Gasket, oil pan 4T60E/65E (8mm elasomeric)	1	91-98	8676250	13997R
F1	Gasket, oil pan 4T60E/65E (6mm elasomeric)	1	98-09	24206182	13997AR
E2	Gasket, side cover TH440/4T60E (outer neoprene/cork)	1	83-00	8656397	13450
E2	Gasket, side cover TH440/4T60E (outer Duraprene®)	1	83-00	8656397	13450D
E2	Gasket, side cover 4T60E (outer molded rubber)	1	94-97	8683803	13450R
E2	Gasket, side cover 4T65E (outer molded rubber)	1	97-09	24204795	13450AR
E3	Gasket, side cover TH440/4T60E (inner neoprene/cork)	1	83-93	8656398	13451
E3	Seal, lathe cut 4T60E (side cover inner)	1	94-00	24200061	3292L
E3	Seal, lathe cut 4T65E (side cover inner)	1	97-09	24205119	3293L
F4	Multi-lip seal TH440/4T60E/65E (press in case)	1	83-09	8656613	13987
E5	O'ring TH440 (governor cover)	1	83-91	8660545	13760
G6	Gasket, accumulator cover TH440	2	83-91	8658073	13452
G6	Gasket, accumulator cover w/plate 4T60E	1	91-00	8682085	13452A
G6	Gasket, accumulator cover w/plate 4T65E	1	97-09	24205621	13452B
F7	O'ring (modulator/electrical connector)	1/2	83-00	10054241	3410L
F7	O'ring 4T60E (electrical connector)	1	91-00	8651621	23074
E9	Seal, lathe cut 4T60E/65E (case to extension housing)	1	91-09	8651419	24091
G10	O'ring pump slide	1	83-09	8656760	13789
G11	Seal (rubber) pump slide (round rubber)	1	83-09	8631283	13762
G12	Seal (teflon) pump slide (rectangle teflon)	1	83-09	8631877	13768
E13	Kit, gasketscvlve body F7	1	87-92	8668401	13780
E13	Gasket, valve body spacer plate to valve body (stamped 712)	1	83-85	8656712	13797
E13	Gasket, valve body spacer plate to VB (stamped 813/848/882)	1	85-91	8656813	13797A
E13	Gasket, valve body 4T60E (spacer plate to valve body)	1	91-92	8678762	13797B
E13	Gasket, valve body 4T60E (spacer plate to valve body)	1	93-00	8682281	13797C
E13	Gasket, valve body (exc. Volvo) 4T65E (spacer plate to valve body)	1	97-09	24206575	13797D
E13	Kit, gaskets valve body Volvo	1	99-02	AE	K13796
E14	Gasket, valve body spacer plate to channel plate stamped 713	1	83-85	8656713	13796
E14	Gasket, valve body spacer plate to channel plate stamped 848	1	85-91	8662848	13796A
E14	Gasket, valve body 4T60E (spacer plate to channel plate)	1	91-92	8688761	13796B
E14	Gasket, valve body 4T60E (spacer plate to channel plate)	1	93-00	8682280	13796C
E14	Gasket, valve body (exc. Volvo) 4T65E (spacer plate to channel plate)	1	97-06	24204500	13796D
E15	Gasket, channel plate TH440 (upper)	1	83-85	8656037	13806
E15	Gasket, channel plate 4T60E (upper)	1	85-00	8668064	13806A
E15	Gasket, channel plate 4T65E (upper)	1	97-09	24204503	13806B
E16	Seal, lathe cut TH440 (TCC accumulator)	1	83-85	8649429	23046
E16	Seal, lathe cut TH440/4T60E/65E (TCC accumulator)	1	85-09	8658086	23050
E17	Gasket, channel plate TH440 (lower)	1	83-91	8649830	13805
E17	Gasket, channel plate 4T60E (lower)	1	91-00	8651615	13805A
E17	Gasket, channel plate 4T65E (lower)	1	97-09	24212897	13805B
E18	Seal, lathe cut (teflon) input clutch accm (2nd design)	1	84-09	8649773	66392T
A19	Lip seal TH440/4T60E/65E (4th clutch piston outer)	1	83-09	8644061	23156
A19	Lip seal F7 (4th clutch piston outer Allante only)	1	87-92	8661013	23156A
A20	Lip seal TH440 (4th clutch piston inner)	1	83-09	8644066	23155
B21	Lip seal TH440 (2nd clutch piston outer)	1	83-91	8656472	23154
B22	Lip seal TH440 (2nd clutch piston inner viton)	1	83-91	8668074	23153
B23	Lip seal input clutch piston inner long	1	83-09	8651443	23151
C24	Lip seal input clutch piston outer	1	83-09	8649837	23157
C25	Lip seal TH440 (3rd clutch inner)	1	83-91	8662673	13791

ILL	DESCRIPTION	QTY	YEAR	REFERENCE #	PART #
GASKETS AND RUBBER COMPONENTS (CONTINUED)					
C26	Lip seal TH440 (3rd clutch outer)	1	83-06	8644156	13799
F27	O'ring TH440 (reverse and 1-2 servo cover)	2	83-91	8658111	13803
F27	O'ring 4T60E (reverse servo cover)	1	91-00	8658111	13803
F27	O'ring 4T60E (forward servo cover)	1	91-00	8651567	13803A
F27	O'ring 4T65E (reverse servo cover)	1	97-09	24203073	13803B
G29	Seal TH440 (1-2 servo pipes)	2	83-93	8656568	23463
F30	Seal, lathe cut (beveled) 1-2/3-4/2-3 accumulator piston	2	83-09	8678473	13965
A32	O'ring (teflon coated/green) TH440/4T60E/65E (turbine shaft)	1	84-09	8662686	13766
E36	O'ring TH440 (speedo gear housing)	1	83-91	8622076	3718L
G37	Lip seal reverse servo piston 2nd design	1	83-09	8658162	23163
E38	Gasket, modulator port TH440 (center)	1	83-85	8656002	13807
F42	Gasket, governor tube retainer TH440 (to case)	1	83-91	8656385	13798
E43	Lip seal w/o spring TH440 (speedometer housing inner)	1	83-91	1240382	3991LS
E43	Lip seal w/spring TH440 (speedometer housing inner)	1	83-91	25519078	3991L
A46	Ring, expander (rubber) TH440/4T60E (2nd clutch)	2	87-98	8662329	13792
n/i	Ball, check (1/4" steel) TH440/4T60E/65E	13	83-09	147485	13924S
n/i	Seal 1-2 servo tubes to valve body	2	83-09	8656567	23462
n/i	Seal, lathe cut TH440/4T60E (lube oil tube)	1	83-09	8649379	13802
n/i	Multi lip seal (boot) TH440/4T60E/65E (oil filler tube)	1	83-09	1259475	13925
n/i	O'ring TH440/4T60E (actuator guide)	1	83-09	8646372	23018
n/i	O'ring converter clutch orifice screen	1	83-09	8658109	13795
n/i	O'ring input clutch to 3rd clutch	1	83-09	14462374	23053
n/i	Gasket, release cover plate TH440 (to valve body)	1	84-85	8656083	23216
n/i	Multi lip seal (boot) TH440 (throttle valve cable)	1	84-91	25518260	13581
n/i	Gasket, release cover plate and 3-2 tube TH440 (plate and tube assy to valve body)	1	86-91	8662841	23266
n/i	Seal, lathe cut 4T60E/65E (3-4 accm piston)	1	91-09	8678886	13965A
n/i	Kit, speed sensor TH440 (contains O'ring and gasket)	1	83-91	4845	24010
n/i	Lip seal 4T60E (reverse servo piston 2nd design)	2	91-09	8658162	23163
n/i	Seal, lathe cut (thin) 4T60E (2-1 manual servo cover to case)	1	91-95	8651648	24088
n/i	Seal, lathe cut (thick) 4T60E/65E (2-1 manual servo cover to case)	1	95-09	24204386	24088A
n/i	Lip seal 4T60E/65E (2-1 manual servo piston)	1	91-09	8651549	24090
n/i	O'ring 4T60E/65E (2-1 manual servo body)	1	91-09	8651541	24089
n/i	Seal, lathe cut 4T65E (forward servo cover)	1	97-09	24204374	23554
n/i	O'ring 4T65E (3-4 accm hsg to channel plate)	1	97-09	24204380	13716
n/i	O'ring 4T65E (PWM solenoid inner)	1	97-09	24204409	13710
n/i	O'ring 4T65E (press control solenoid inner)	1	97-09	8634188	23071
n/i	O'ring 4T65E (press control solenoid outer)	1	97-09	8642581	23015
n/i	O'ring 4T65E (shift control solenoid)	2	97-09	8634188	23071
n/i	O'ring 4T65E (TCC regulator apply solenoid)	1	97-09	8684877	23066
n/i	Seal 4T65E (press switch manifold large)	3	97-09	n/a	23464
n/i	Seal 4T65E (press switch manifold small)	3	97-09	n/a	23465
METAL CLAD SEALS					
E39	Seal, metal clad TH440/4T60E/65E (front)	1	83-09	8664812	51200A
E39	Seal, metal clad (not in kit)(yellow) 4T65E (front RPO M15 only)	1	97-09	24204772	66200
E40	Seal, metal clad TH440/4T60E/65E (right axle)	1	83-09	8666007	51201
E40	Seal, metal clad for axle stabilizer drive in type-Teckpak	1	83-09	TC-1.375	51204
E41	Seal, metal clad TH440/4T60E (left axle)	1	83-97	8646637	66220
E41	Seal, metal clad 4T65E (left axle)	1	97-09	24204330	66222
G44	Seal, metal clad TH440/4T60E (3-2 maneuver tube)	1	87-91	8662391	66221
n/i	Seal, metal clad TH440/4T60E/65E (manual lever shaft)	1	83-09	8644709	51202A
SEALING RINGS					
K10	Kit, sealing ring-w/o quad seals TH440/4T60E	1	83-00	AE	K66300T
K10	Kit, 2nd clutch hub quad seal ring TH440/4T60E	1	87-06	AE	K66301

440•TH440-T4•4T60•4T60E•4T65E

TH440-T4•4T60•E•4T65E

ILL	DESCRIPTION	QTY	YEAR	REFERENCE #	PART #
SEALING RINGS (CONTINUED)					
A45	Ring, sealing (metal) 4T60 (driven support to 2nd clutch hub)	2	83-86	8658098	66320
A45	Ring, sealing (vespel step joint tabs) 4T60/E (driven support to 2nd clutch hub)	2	87-00	8662330	66320AT
A45	Ring, sealing (plastic) 4T60E/65E (driven sprocket support)	2	98-09	24209498	66320P
A47	Ring, sealing (teflon) solid TH440/4T60E/65E (front)	1	83-09	8637170	51310T
A48	Ring, sealing (teflon) solid TH440/4T60E/65E (rear)	2	83-09	8643058	51307T
E49	Ring, sealing (teflon) TH440/4T60E (pump shaft)	1	83-09	8631211	51301T
B50	Ring, sealing (teflon) TH440/4T60E/65E (input housing shaft)	3	83-09	8656342	66321T
E52	Ring, sealing (teflon) TH440 (governor shaft)	1	83-91	8632588	32315T
F53	Ring, sealing (teflon) TH440 (1-2 servo piston)	1	83-92	8658160	66326T
G54	Ring, sealing 86.40mm x 2.210mm (solid) TH440/4T60E/65E (pump slide to cover)	sel	83-09	8644922	66325
CLUTCH PLATES					
A56	Friction .080" 5.312" od 18T 4th clutch use w/1st design short piston	1	83-84	8658209	66104
A56	Friction .090" 5.312" od 18T TH440 (4th clutch)	1	84-92	18017245	66104A
A56	Friction .070" F7 (4th clutch)	2	87-92	8661005	66104B
A56	Friction .069" 5.312" od 32T 4T65E (4th clutch)	2	97-09	24218248	66104C
A56	Friction .060" 32T 1 sided internal teeth Volvo 4T65E (4th clutch)	2	99-02	24218251	66104D
A56	Friction .060" 3T 1 sided external teeth Volvo 4T65E (4th clutch)	2	99-02	24218250	66104E
A56	Friction .060" 3.581" id 3T 1 sided ext T 4T65E (4th clutch w/manual shift)	2	04-09	24224890	66104F
A56	Kit, bent tooth 4th clutch repair TH440	1	83-93	62758	K66104
A56	Kit, bent tooth 4th clutch repair F7 4T60E (1987-93 1990-92)	1	87-93	62758A	K66104A
A56	Kit, bent tooth 4th clutch repair 4T60E	1	93-99	62758B	K66104B
A57	Steel .080" 3.471" id 5T except F7 (4th clutch)	2	83-97	8650767	66204
A57	Steel .083" 3.513" id 3T 4T60E/65E (4th clutch)	2	97-09	24208014	66204C
A57	Steel .074" 3.471" id 5T F7/4T60E (4th clutch)	2	87-92	8661006	66204F
A57	Steel .084" 3.513" id 3T 4T65E (w/manual shift)	2	04-09	24224888	66204D
A57	Steel .083" 3.502" id 5T w/manual shift (top plate)	1	06-09	24224892	66204E
B58	Friction .070" (grooved) TH440/4T60E (2nd clutch)	5/6	83-00	8662912	66102A
B58	Friction .070" 4T65E (2nd clutch)	6	97-09	24205361	66102C
B58	Friction .060" (commercial) TH440/4T60E/65E (2nd clutch)	6/7	83-09	8656629	66102X
B58	Kit, 2nd clutch (commercial) 7 special frictions/steels and press plate	1	83-97	62756	K66102X
B59	Steel .090" (Kolene®) TH440 (2nd clutch)	5	83-86	8662309	66202A
B59	Steel .077" (Kolene®) TH440/4T60E (2nd clutch)	6	87-99		66202D
B59	Steel .067" (commercial) TH440/4T60E (2nd clutch)	ar	83-99	8662309	66202X
B59	Steel .068" 4T65E (2nd clutch)	5	97-09	24204104	66202C
B60	Steel, waved .044" TH440/4T60E (2nd clutch)(cushion)	1	84-99	8658463	66202B
B60	Steel, waved .065" 4T65E (2nd clutch)(cushion)	1	97-09	24202950	66202E
B60	Steel .090" (oversize) 4T65E (2nd clutch)	ar	97-09	24204104	66202F
C61	Friction .089" 2 sided TH440 (3rd clutch)	4	83-88	8662911	66103
C61	Friction .083" 1 sided internal teeth TH440 (3rd clutch)	4	85-88	8658042	66103A
C61	Friction .079" 1 sided internal teeth 4T60E/65E (3rd clutch)	5	89-00	18017205	66103C
C61	Friction .082" 1 sided internal teeth 4T65E (3rd clutch)	5	01-09	24216287	66103E
C62	Friction .083" 1 sided external teeth TH440 (3rd clutch)	4	83-88	8658043	66103B
C62	Friction .079" 1 sided external teeth 4T60E/65E (3rd clutch)	5	89-00	8668361	66103D
C62	Friction .078" 1 sided external teeth 4T65E (3rd clutch)	5	01-09	24216288	66103F
C62	Kit, 3rd clutch Z-pak 4T65E	1	97-09	RZP-003	K66103Z
C63	Steel, waved .030" TH440/4T60E (3rd clutch)(cushion)	1	84-97	8656645	66203B
C63	Steel, waved .050" 4T65E (3rd clutch)(cushion)	1	98-09	n/a	66203C-R
C63	Steel .090" TH440/4T60E (3rd clutch)	4/1	83-94	8656313	66203
C64	Friction .090" TH440 (forward input clutch)	4	83-94	8662850	66106
C64	Friction .065" 32T 4T60E/65E (forward input clutch)	4	94-02	24202333	66106A
C64	Friction, waved 30T 4T65E (forward input clutch)	4	03-09	24216502	66106B
C65	Steel .080" 3.520" id 26T TH440 (forward input clutch)	3/4	83-90	8631379	51100
C65	Steel .050" 3.520" id 26T 4T60E (forward input clutch)	3	91-94	8651446	66100

ILL	DESCRIPTION	QTY	YEAR	REFERENCE #	PART #	
CLUTCH PLATES (CONTINUED)						
C65	Steel, waved .050" 3.520" id 26T	4T60E/65E (forward input clutch)(cushion)	1	90-09	8675257	51105
n/i	Kit, clutch clearance	4T65E (2nd/3rd and forward clutch)	1	97-09	APC-62759	K66103X
PRESSURE PLATES						
C66	Pressure plate .126"- .132" code D/9	forward input (apply)	1	83-09	8682801	51714E-R
A68	Pressure plate .205" (w/step)	4th clutch (apply)(exc F7/4T60E)	1	83-88	8649831	66210-R
A68	Pressure plate .160"	F7/4T60E (4th clutch apply)	1	87-92	8661004	66210F
A68	Pressure plate .160"	F7/4T60E (4th clutch apply)	1	87-92	8661004	66210F-R
A68	Pressure plate .133"	4th clutch (apply)(backing)	2/3	93-00	8680771	66210G
A68	Pressure plate .126"	4T65E (4th clutch apply)	1	97-09	24208014	66210H
A68	Pressure plate .118"	4T65E (4th clutch apply)	1	04-09	24224893	66210M
B69	Pressure plate .158" (up)	TH440 (2nd clutch backing)	1	83-86	8662957	66210A-R
B69	Pressure plate w/snap ring groove	TH440 (2nd clutch backing)	1	87-89	8662010	66210E-R
B69	Pressure plate .390"	TH440/F7/4T60E (2nd clutch)	1	89-00	8668566	66210B-R
B69	Pressure plate	4T65E (2nd clutch backing)	1	97-09	24204105	66210J-R
B69	Pressure plate	4T65E (2nd clutch apply)	1	97-09	24204103	66210K-R
B69	Pressure plate .135"	4T60E (2nd clutch apply)	1	91-00	8680367	66210L-R
C70	Pressure plate	TH440 (3rd clutch)	1	83-86	8656315	66210C
C70	Pressure plate .157"	TH440/4T60E/65E (3rd clutch)	1	87-09	8658313	66210D-R
C71	Pressure plate .192" 4.89-4.99mm	forward input clutch (backing)	1	83-09	8658146	51714-R
FILTERS						
K9	Kit, filter	TH440 (Duraprene®)	1	83-92	AE	DK66710
K9	Kit, filter-late filter w/MCS	TH440 (neoprene and cork)	1	83-92	AE	FK66710
K9	Kit, filter-late filter w/MCS	4T60E/65E (neoprene and cork)	1	91-09	AE	FK66710A
K9	Kit, filter-late filter w/MCS	4T60E/65E (Duraprene®)	1	91-09	AE	DK66710A
K9	Kit, filter-late filter w/MCS	4T60E/65E (8mm elasomeric)	1	91-98	AE	EK66710A
K9	Kit, filter-late filter w/MCS	4T60E/65E (6mm elasomeric)	1	98-09	AE	EK66710B
F73	Filter	TH440	1	83-92	8662853	66710
F73	Filter	4T60E/65E	1	91-09	8651651	66710A
G74	Screen, filter	TH440/4T60E/65E (oil pressure in pump)	1	84-09	8656752	66712
G75	Screen, filter	TH440 (governor)	1	83-90	8627509	34713
n/i	Screen, filter	4T60E/65E (lock-up/TCC solenoid)	1	91-09	8658060	66714
n/i	Screen, filter	4T60E/65E (shift solenoid)	2/3	91-09	8651658	66714A
n/i	Screen, filter	4T60E/65E (2-1 man servo exhaust)	1	91-09	8651754	66713
n/i	Screen, filter	TH440 (3rd exhaust)	1	83-93	8658208	66711
MODULATORS						
E77	Mod, adj 12-19.5 EDA w/black/red stripe	TH440 (diesel)	1	91-00	8649099	66820A
E77	Mod, adj w/dual red stripe	TH440/4T60E (universal)	1	83-09	3057721	66820
BANDS						
B79	Band, double wrap	TH440 (reverse/front)	1	83-91	8675986	66720
B79	Band, double wrap	4T60E/65E (reverse/front)	1	91-00	8651653	66720A
B79	Band, double wrap (high energy)	4T60E/65E (reverse/front)	1	01-09	24213362	66720B
D80	Band, single wrap	4T60E/65E (2-1/coast center)	1	91-00	8651643	66700A
D80	Band, single wrap (high energy)	4T60E/65E (2-1/coast center)	1	01-09	24202815	66700B
D81	Band, double wrap	TH440 (1-2/rear)	1	83-91	8675987	66700
D81	Band, double wrap	4T60E/65E (forward/rear)	1	91-00	8651614	66721
D81	Band, double wrap (high energy)	4T60E/65E (forward/rear)	1	01-09	24213361	66722
BUSHINGS						
K13	Kit, bushing	TH440	1	83-93	AE	K66901
K13	Kit, bushing	4T60E/65E	1	91-09	AE	K66901A
D72	Bushing	4T60E (1/2 support/drum)	1	91-95	8651447	66016A
D72	Bushing	4T60E/65E (1/2 support/drum/2nd design)	1	96-09	5606004	66016C
A86	Bushing (bronze)	drive sprocket support/stator	1	83-09	8628915	32006
A87	Bushing	TH440/4T60E/65E (driven sprocket support)	1	83-09	8656357	66010

440•TH440-T4•4T60•4T60E•4T65E

TH440-T4•4T60•E•4T65E

ILL	DESCRIPTION	QTY	YEAR	REFERENCE #	PART #
BUSHINGS (CONTINUED)					
B88	Bushing 8.0mm x 75.5mm od	1	83-09	8644098	66011
B89	Bushing 11.0mm x 70.0mm od	1	83-09	8644099	66012
B90	Bushing 11/16" w x 1.5" od	1	83-00	8649661	66013
B90	Bushing w/4 grooves (not in kit)	1	97-09	n/a	66013A
C91	Bushing (not in kit)	1	83-84	8644518	66014
C92	Bushing	1	85-92	8658803	66015
D93	Bushing	1	83-93	8644203	66016
D93	Bushing	1	91-09	8651447	66016A
D97	Bushing	1	91-09	8651448	66016B
D94	Bushing	2	83-09	8649537	66017
F96	Bushing	1	83-09	8631119	51013
n/i	Bushing	1	83-09	8637905	51005A
WASHERS/BEARINGS/RACES/SHIMS					
K12	Kit, thrust bearing	1	83-00	AE	K66906
K14	Kit, washer (super charged not included)	1	83-09	AE	K66400B
K14	Kit, thrust washer	1	83-90	AE	K51440
K14	Kit, thrust washer	1	86-09	AE	K51440A
K14	Kit, washer	1	83-09	AE	K66400A
K14	Kit, thrust washer	1	83-00	AE	K66400
K14	Kit, thrust washer	1	97-09	AE	K66400E
A98	Thrust washer (4 tabs)	1	83-98	8652841	51413
A98	Thrust washer	1	97-00	24205121	66416
A98	Thrust washer	1	00-09	24213762	66416A
A99	Thrust washer	1	83-00	8644684	66410
A99	Thrust washer	1	97-09	24204840	66410A
A100	Thrust washer .072" thick	1	83-00	8649260	66411
A100	Thrust washer .046" thick	1	97-09	24204328	66411A
A101	Thrust washer	1	83-00	8644069	66412
A101	Thrust washer	1	97-09	24204434	66412A
B102	Thrust washer	1	83-86	8662370	66413
B102	Bearing, thrust	1	86-09	8668422	66510
A103	Thrust washer	1	83-00	8644664	66414
A103	Thrust washer	1	97-09	24204839	66414A
E104	Bearing, thrust	1	83-92	8635490	51466A
B105	Washer .116" 2.95mm (orange-green)	sel	83-09	24204843	66415A
B105	Washer .122" 3.10mm (orange-black)	sel	83-09	24204844	66415B
B105	Washer .128" 3.25mm (orange)	sel	83-09	24204845	66415C
B105	Washer .134" 3.40mm (white)	sel	83-09	24204846	66415D
B105	Washer .140" 3.55mm (blue)	sel	83-09	24204847	66415E
B105	Washer .146" 3.70mm (pink)	sel	83-09	24204848	66415F
B105	Washer .152" 3.85mm (brown)	sel	83-09	24204849	66415G
B105	Washer .158" 4.00mm (green)	sel	83-09	24204850	66415H
B105	Washer .163" 4.15mm (black)	sel	83-09	24204851	66415J
B105	Washer .169" 4.30mm (purple)	sel	83-09	24204852	66415K
B105	Washer .175" 4.45mm (purple-white)	sel	83-09	8658173	66415L
B105	Washer .181" 4.60mm (purple-blue)	sel	83-09	8658174	66415M
B105	Washer .187" 4.75mm (purple-pink)	sel	83-09	8658175	66415N
B105	Washer .193" 4.90mm (purple-brown)	sel	83-09	8658176	66415P
B105	Washer .199" 5.05mm (purple-green)	sel	83-09	8658177	66415R
D106	Washer .067"-.071" 1.70-1.80mm (#3)	sel	83-09	8631423	51417B
D106	Washer .071"-.075" 1.80-1.90mm (#4)	sel	83-09	8631424	51417C
D106	Washer .063"-.067" 1.60-1.70mm (#2)	sel	83-09	8631422	51417A
D106	Washer .075"-.079" 1.90-2.00mm (#5)	sel	83-09	8631425	51417D

ILL	DESCRIPTION	QTY	YEAR	REFERENCE #	PART #		
WASHERS/BEARINGS/RACES/SHIMS (CONTINUED)							
D106	Washer .079"-.083" 2.00-2.10mm (#6)		differential carrier to bearing	sel	83-09	8631426	51417E
D106	Washer .083"-.087" 2.10-2.20mm (#7)		differential carrier to bearing	sel	83-09	8631427	51417F
D106	Washer (fits bearing style extension hsg)		differential carrier to bearing	sel	96-09	n/a	66417
D107	Bearing, thrust		reaction carrier to sun gear drum	1	83-09	8649353	66501
D108	Bearing, thrust		input carrier to reaction carrier	1	83-09	8646504	66502
B110	Bearing, thrust		sprocket support to washer	1	83-09	8649704	66503
D111	Bearing, thrust		internal gear to parking gear	1	83-95	8644240	66506
D111	Bearing, thrust		4T60E/65E (internal gear to parking gear)	1	96-09	24202794	66506A
D112	Bearing, thrust 2.125" od		final drive sun gear to differential hsg	1	83-97	8646254	51454
D112	Bearing, thrust 2.350" od		final dr sun gear to diff w/supercharged	1	97-03	24202396	66512
D112	Bearing, thrust 2.150" od		final drive sun gear to diff housing	1	00-05	24211390	66514
D113	Bearing, thrust		differential washer to case/ext hsg	1	83-09	8631362	51461
D113	Bearing, thrust		differential (bearing style ext hsg)	1	96-09	8644206	66509
A114	Bearing, thrust		TH440/4T60E (4th clutch to channel plate)	1	83-00	8656393	66508
A114	Thrust washer		4T60E/65E (4th clutch to channel plate)	1	97-09	24207063	66418
D115	Bearing, thrust		reaction sun gear to final dr inter gear	1	83-93	8644206	66509
D115	Thrust washer		reaction sun gear to final dr inter gear	1	93-09	24200584	66419
D116	Bearing, thrust		4T60E (1/2 inner race to 1/2 drum)	1	91-95	8648389	66511
D116	Bearing, thrust		4T60E/65E (1/2 inner race to sungear drum)	1	96-09	7471026	66511A
A130	Bearing, needle (split type long)		TH440 (output shaft to input sun gear)	1	84-89	8649505	66521
A130	Bearing, needle (split type short)		output shaft to input sun gear	1	90-00	8675032	66522
G126	Bearing, needle w/seal		TH440/4T60E (pump shaft)	1	83-00	8644516	66520
n/i	Bearing, caged		4T65E (channel plate to axle)	1	97-09	24203440	66525
n/i	Bearing, caged		4T60E/65E (super charged extension hsg)	1	96-09	n/a	66524
n/i	Thrust washer (5 tabs)		4T65E (AWD only-park gear to diff sun gear)	sel	97-09	AE	66421
SNAP RINGS							
n/i	Snap ring		TH440/4T60E (2nd clutch pressure plate)	1	89-00	8668567	66552
PUMP PARTS AND PUMPS							
K20	Kit, vane and ring pump 9 vanes - 2 rings		fits #3 and #4 rotor	1	83-00	8644662	K66801A
K43	Kit, rotor and pump slide vane-matched		TH440/4T60E	1	83-09	AE	K66800A
G118	Pump assembly		1st design cast #	1	83-85	8644990	66990-R
G118	Pump assembly		TH440 (2 switch)	1	84-86	8646939	66990B-R
G122	Rotor, pump .7071-7078 (#3)		TH440/4T60E	1	83-00	8656268	66802
G123	Slide, pump .7071"-7078" (#3)		TH440/4T60E	1	83-00	8656273	66803
G124	Vane, selective .7064"-7071"		TH440 (fits #1-2 rotor)	9	83-85	8644661	66800
G124	Vane, selective .7071"-7078"		4T60E (fits #3-4 rotor)	9/11	83-09	8644662	66800A
G124	Vane, selective .7078"-7085"		4T60E (fits #5 rotor)	9	97-09	8644663	66800B
F125	Shaft, pump		TH440/4T60E	1	83-00	8656624	66981
F125	Shaft, pump		TH440/4T60E	1	83-00	8656624	66981-R
F125	Shaft, pump		4T65E	1	97-07	24209284	66981A
F125	Shaft, pump		4T65E	1	97-09	24209053	66981A-R
G127	Ring, vane pump (solid)		TH440/4T60E/65E	2	83-09	8644333	66324
HARD PARTS							
A128	Retainer, w/springs		TH440/4T60E (4th piston return)	1	83-00	8661081	66931-R
A128	Retainer, w/springs		4T65E (4th piston return)	1	97-09	24203091	66931C-R
A129	Shaft, output		TH440 (long bearing type)	1	83-90	8658408	66906-R
A129	Shaft, output		TH440/4T60E (short bearing type)	1	90-00	8668990	66906C-R
A131	Chain, drive (7/8")(round pins)		TH440/4T60E	1	83-93	HV-018	51973A
A131	Chain, drive (7/8")(rocker joint type)		4T60E (replaces all 93-00)	1	93-00	HV-058	59973A
A131	Chain, drive Gemini® design S (2 per box)		4T65E (has 2 blue guide links)	1	97-09	HV-093	66973B
A132	Sprocket, drive 37T		TH440/4T60E	1	83-93	8644679	66977A-R
A132	Sprocket, drive 35T		TH440/4T60E	1	83-93	8644677	66977-R
A132	Sprocket, drive 33T		TH440/4T60E	1	84-93	8651568	66911-R

440•TH440-T4•4T60•4T60E•4T65E

TH440-T4•4T60•E•4T65E

ILL	DESCRIPTION	QTY	YEAR	REFERENCE #	PART #	
HARD PARTS (CONTINUED)						
A132	Sprocket, drive 37T	4T60E	1	93-00	8682597	66912-R
A132	Sprocket, drive 35T	4T60E	1	94-98	8682598	66913-R
A132	Sprocket, drive 33T	4T60E	1	93-00	8682599	66914-R
A132	Sprocket, drive 35T (2nd design)	4T65E (use TW 66416A)	1	97-09	24216063	66977B
A132	Sprocket, drive 37T (2nd design)	4T65E (use TW 66416A)	1	97-09	24216064	66977C
A132	Sprocket, drive 33T (2nd design)	4T65E (use TW 66416A)	1	97-09	24216065	66977D
A133	Sprocket, driven 35T	TH440/4T60E	1	83-93	8668111	66920-R
A133	Sprocket, driven 33T	TH440/4T60E	1	83-93	8675035	66920A-R
A133	Sprocket, driven 37T	TH440/4T60E	1	83-93	8678146	66915-R
A133	Sprocket, driven 33T	4T60E	1	94-00	8682600	66916-R
A133	Sprocket, driven 35T	4T60E	1	94-00	8682601	66918-R
A133	Sprocket, driven 37T	4T60E	1	94-00	8682602	66919-R
A133	Sprocket, driven 35T	4T65E	1	97-09	24206269	66920B
A133	Sprocket, driven 33T	4T65E	1	97-09	24206271	66920C
A133	Sprocket, driven 37T	4T65E	1	97-09	24206270	66920D
A134	Bearing, needle	TH440/4T60E/65E (driven sprocket support)	1	83-09	8644054	66954
A135	Shaft, turbine	TH440/4T60E	1	83-00	24202468	51907A-R
A135	Shaft, turbine	4T65E	1	97-09	24208853	66907
A135	Shaft, turbine	4T65E	1	97-09	24208853	66907-R
A136	Stator	TH440/4T60E (drive sprocket support)	1	83-00	8644036	51927A-R
A136	Stator	4T65E (drive sprocket support)	1	97-09	24211875	66928
A136	Stator	4T65E (drive sprocket support)	1	97-09	24211875	66928-R
A137	Support, driven sprocket (1st design)	TH440 (metal rings)	1	83-85	8658097	66949-R
A137	Support, driven sprocket (w/vespel rings)	TH440 (bottom lube hole open)	1	86-93	8668385	66949A-R
A137	Support, driven sprocket (w/vespel rings)	4T60E (4 tab TW)(bottom lube plugged)	1	91-00	8682611	66949B-R
A137	Support, driven sprocket (specify rings)	4T65E (3 tab TW)(with and w/o expanders)	1	97-09	24206327	66949C-R
B139	Drum, 2nd clutch (5 clutch)	TH440	1	83-86	8668958	66926-R
B139	Drum, 2nd clutch (6 clutch)	TH440 (takes steel piston)	1	87-90	8661912	66926A-R
B139	Drum, 2nd clutch (6 clutch)	TH440/4T60E (takes bonded piston)	1	91-00	8651919	66926B-R
B139	Drum, 2nd clutch (6 clutch)	4T65E (square cut teeth specify)	1	97-09	24207421	66926C-R
B139	Drum, 2nd clutch (6 clutch)	4T65E (square cut teeth)	1	97-09	24207421	66926C
B140	Retainer, w/springs (.810")	TH440 (5 clutch 2nd clutch drum)	1	83-86	8644109	66921-R
B140	Retainer, w/springs (.760")	TH440 (6 clutch 2nd clutch drum)	1	87-90	8678494	66921A-R
B140	Retainer, w/springs (.820")	4T60E (2nd clutch drum)	1	91-00	8675319	66921B-R
B140	Retainer, w/springs (1.450")	4T65E (2nd clutch drum)	1	97-09	24206170	66921C-R
A141	Bearing, caged (needle)	stator to drive sprocket support	1	83-09	24203905	51486
B142	Retainer, w/springs (w/cutout for capsule)	TH440/4T60E (input piston)	1	83-00	8644151	66923-R
B142	Retainer, w/springs	4T65E (input piston)	1	97-09	n/a	66923C-R
C143	Retainer, input sprag	TH440 (1st design)	1	83-86	8644044	66925-R
C143	Retainer, input sprag	TH440/4T60E (2nd design)	1	86-93	8658796	66925A-R
B144	Input housing	TH440 (thrust washer type)	1	83-89	8662970	66927-R
B144	Input housing	TH440/4T60E (bearing type)	1	90-93	8651924	66927A-R
B144	Input housing (w/needle bearing inside)	4T60E (bearing type)	1	94-00	8651937	66927B-R
B144	Input housing (w/needle bearing inside)	4T65E	1	97-09	24211855	66927C-R
C146	Housing, 3rd clutch piston	TH440	1	83-88	8656310	66950-R
C146	Housing, 3rd clutch piston	TH440/4T60E (takes bonded piston)	1	89-00	8668359	66950A-R
C146	Housing, 3rd clutch piston	4T65E	1	97-09	24205864	66950C-R
C149	Retainer w/springs	TH440/4T60E (3rd clutch piston)	1	83-00	8668071	66924
C149	Retainer w/springs (w/cutout for capsule)	4T65E (3rd clutch piston)	1	97-09	n/a	66924C-R
D153	Drum, assembly 1-2	4T60E (16 roller clutch)	1	91-95	7471030	66961A-R
D153	Drum, assembly 1-2	4T60E/4T65E (14 roller clutch)	1	96-09	7471029	66961B-R
D154	1-2 inner race	4T60E	1	91-95	7471031	66530-R
C156	Sun gear, input	TH440/4T60E (3rd design)	1	93-09	24208023	D66904

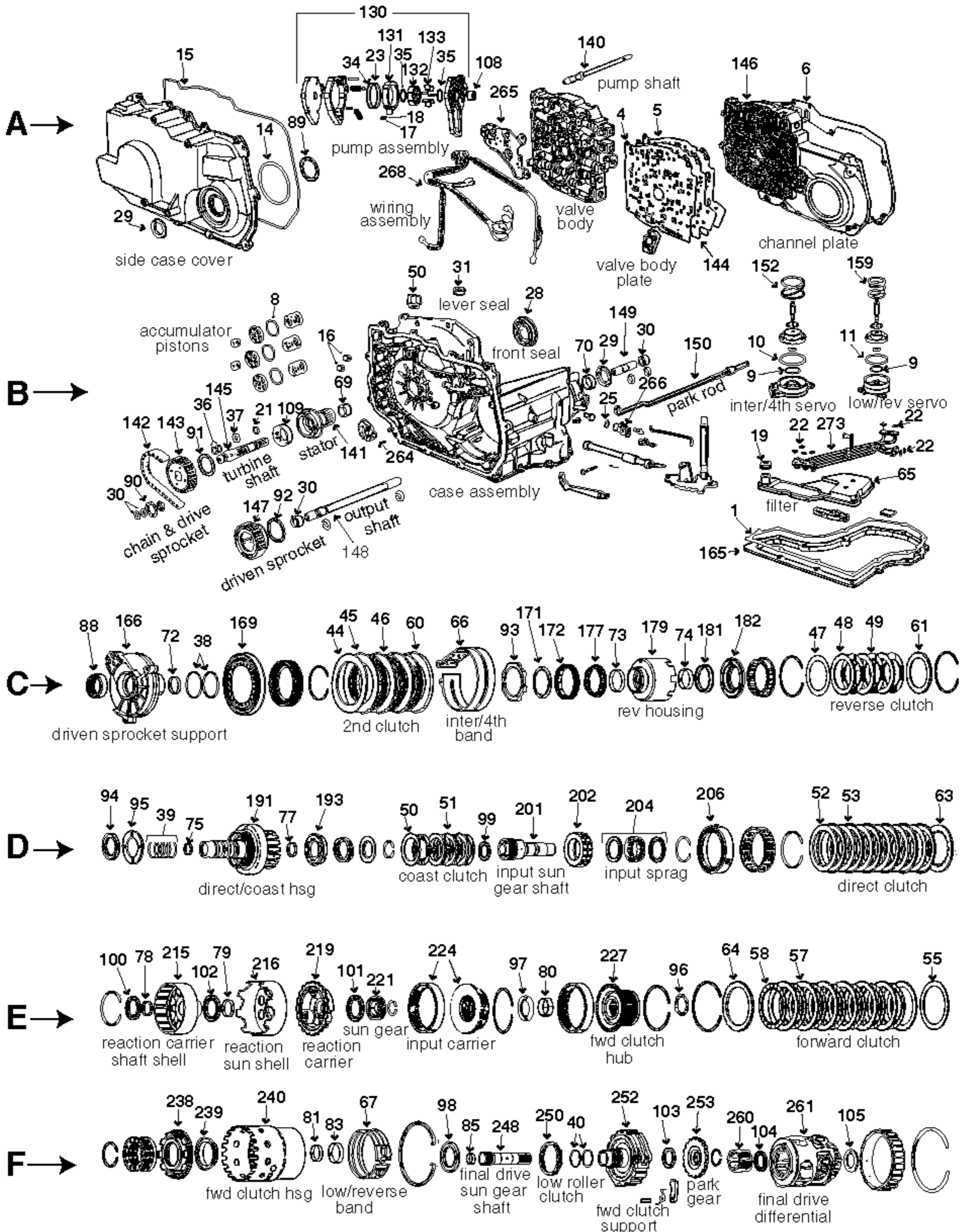
ILL	DESCRIPTION	QTY	YEAR	REFERENCE #	PART #
HARD PARTS (CONTINUED)					
C156	Sun gear, input TH440/4T60E (3rd design)	1	93-09	24208023	66904
C156	Sun gear, input TH440/4T60E (2nd design)	1	83-93	8668703	66904-R
C157	Spacer .495" 4T60 (input sun gear)	1	83-86	8649545	66945-R
C157	Spacer .350" TH440/4T60E (input sun gear)	1	86-93	8658797	66945A-R
C157	Spacer .335" 4T60E/4T65E (input sun gear)	1	94-09	8682442	66945B-R
C159	Drum, reverse (shell) TH440/4T60E	1	83-00	8656612	66978
C159	Drum, reverse (shell) TH440/4T60E	1	83-00	8656612	66978-R
C159	Drum, reverse (shell) 4T65E (angled teeth)(oval holes)	1	97-98	24208193	66978B-R
C159	Drum, reverse (shell) 4T65E (square cut teeth)(round holes)	1	98-09	24209481	66978C-R
C161	Carrier, input (tall lip 1st design) TH440 (front planetary)	1	83-86	8646500	66905-R
C161	Carrier, input (short lip 2nd design) TH440/4T60E (front planetary)	1	86-92	24203693	66905A-R
C161	Carrier, input (no lip 3rd design) 4T60E (front planetary)	1	93-00	24205129	66905B-R
C161	Carrier, input (12 teeth on carrier) 4T65E (front planetary)	1	97-09	24204430	66905C-R
D163	Carrier, reaction TH440/4T60E/65E (rear planetary)	1	83-09	8661084	66955-R
D165	Reaction sun gear w/drum TH440	1	84-93	8676144	66960-R
D165	Reaction sun gear w/drum 4T60E	1	91-95	8651450	66960A-R
D165	Reaction sun gear w/drum 4T60E/4T65E	1	96-09	24201902	66960B-R
D166	Shaft, sun gear (final drive) TH440	1	83-93	8675987	66943-R
D166	Shaft, sun gear (final drive) 4T60E/4T65E	1	91-09	24202283	66943A-R
D168	Gear, final drive internal TH440 (70T regular pitch)	1	83-91	8656372	66935-R
D168	Gear, final drive internal 4T60E cast #8651456 (w/lip)(70T regular pitch)	1	91-95	24200788	66935A-R
D168	Gear, final drive internal 4T60E cast #24202792 (78T fine pitch-rev cut)	1	95-96	24200426	66935B-R
D168	Gear, final drive internal 4T60E/4T65E (78T fine pitch)	1	96-09	n/a	66935C-R
D168	Gear, final drive internal 4T60E cast #24202792(w/o lip)(70T regular pitch)	1	91-95	n/a	66935D-R
D170	Gear, sun (38T) TH440 (final drive)(2.84 ratio)	1	83-94	8644113	51955-R
D170	Gear, sun (34T) TH440 (final drive)(3.06 ratio)	1	83-94	8644114	51955A-R
D170	Gear, sun (30T) TH440 (final drive)(3.33 ratio)	1	83-94	8644237	51955B-R
D170	Gear, sun (fine pitch-rev cut 42T) 4T60E (final drive)(2.86 ratio)	1	95-96	n/a	66855-R
D170	Gear, sun (reverse cut 38T) 4T60E (final drive)(3.05 ratio)	1	95-96	n/a	66855A-R
D170	Gear, sun (reverse cut 34T) 4T60E (final drive)(3.29 ratio)	1	95-96	n/a	66855B-R
D170	Gear, sun (fine pitch 42T) 4T60E/4T65E (final drive)(2.86 ratio)	1	96-09	n/a	66855C-R
D170	Gear, sun (fine pitch 38T) 4T60E/4T65E (final drive)(3.05 ratio)	1	96-09	n/a	66855D-R
D170	Gear, sun (fine pitch 34T) 4T60E/4T65E (final drive)(3.29 ratio)	1	96-09	n/a	66855E-R
D172	Differential, w/silver pin (38T) TH440 (final drive)(2.84 ratio)	1	83-94	8644996	51972-R
D172	Differential, w/silver pin (34T) TH440 (final drive)(3.06 ratio)	1	83-94	8644997	51972A-R
D172	Differential, w/silver pin (30T) TH440 (final drive)(3.33 ratio)	1	83-94	8644994	51972B-R
D172	Differential, w/black pin (specify ratio) w/black pin specify sungear tooth count	1	95-96	n/a	66972-R
D172	Differential, 20T pinion (38T sun gear) 3.05 ratio	1	95-96	n/a	66972A-R
D172	Differential, 22T pinion (34T sun gear) 3.29 ratio	1	95-95	n/a	66972B-R
D172	Differential, 18T pinion (42T) 2.86 ratio (fine pitch)	1	96-09	n/a	66972C-R
D172	Differential, 20T pinion (38T) 3.05 ratio (fine pitch)	1	96-09	n/a	66972D-R
D172	Differential, 22T pinion (34T) 3.29 ratio (fine pitch)	1	96-09	n/a	66972E-R
D172	Differential, 22T pinion 34T 3.29 ratio (super charged)	1	91-99	n/a	66972F-R
D172	Differential, 22T pinion (34T) Volvo (3.29 ratio)	1	99-02	n/a	66972G-R
note	Specify reluctor tooth count on diff. final drive			n/a	
note	Ratios interchange when done as a complete set 2.84-2.86/3.05-3.06/3.29-3.33			n/a	
E175	Governor assembly TH440 (good used)	1	83-92	specify	51910-R
E179	Cover, governor TH440	1	83-92	8644924	66976-R
A183	Hub, 4th clutch w/shaft TH440 (1st design)	1	83-92	8676613	66956-R
A183	Hub, 4th clutch w/shaft w/race and bearing 4T60E (2nd design)	1	91-95	24201094	66956A
A183	Hub, 4th clutch w/shaft w/race and bearing 4T60E (2nd design)	1	91-95	24201094	66956A-R
A183	Hub, 4th clutch w/shaft w/race w/o bearing 4T60E (3rd design)	1	95-00	24202037	66956B
A183	Hub, 4th clutch w/shaft w/race w/o bearing 4T60E (3rd design)	1	95-00	24202037	66956B-R

440•TH440-T4•4T60•4T60E•4T65E

TH440-T4•4T60•E•4T65E

ILL	DESCRIPTION	QTY	YEAR	REFERENCE #	PART #	
HARD PARTS (CONTINUED)						
A183	Hub, 4th clutch w/shaft	4T65E	1	97-09	24205603	D66956C
A183	Hub, 4th clutch w/shaft	4T65E	1	97-09	24205603	66956C
A183	Hub, 4th clutch w/shaft	4T65E	1	97-09	24205603	66956C-R
A184	Piston 1.939" tall	4T60E (4th clutch 5/21/84 2nd design)	1	84-00	8658388	66946-R
A184	Piston	4T65E (4th clutch)	1	97-09	24208623	66946C-R
B185	Piston	TH440 (2nd clutch)	1	83-90	8656740	66929-R
B186	Piston	TH440 (input clutch)	1	83-89	8658439	66934-R
B186	Piston	4T60E/4T65E (input clutch)	1	90-09	27203479	66934A
B186	Piston	4T60E/4T65E (input clutch)	1	90-09	24203479	66934A-R
D191	Dam, lube plastic	TH440/4T60E	1	86-09	8658368	66910
F192	Spring	4T60E (3-4 accumulator)	1	83-93	8659092	66709
F193	Spring	reverse/1-2 servo return	1	83-09	8685167	66707
F194	Spring	1-2 accumulator	1	83-00	8668123	66706
F194	Spring, green/white	TH440/4T60E (1-2 accumulator)	1	83-00	8668487	66706A
F194	Spring, red	TH440/4T60E (1-2 accumulator)	1	83-09	8649691	66706B
D195	Gear, park	TH440/4T60E/65E	1	83-09	8658416	66968-R
E196	Sleeve 1 1/2" x 1 1/4" od (not in kit)	TH440/4T60E (channel plate)	1	83-00	AE	66641
E196	Sleeve	4T65E (channel plate)	1	97-09	AE	66641B
F202	Pin, apply (2 grooves)	TH440/4T60E (reverse band)	1	83-93	8656547	66708B
G203	Pin, apply	TH440/4T60E (1/2 band wide)	1	83-93	8656542	66708
G203	Pin, apply (2 grooves)	TH440/4T60E (1/2 band)	1	83-93	8656540	66708A
G203	Pin, servo extendo	TH440/4T60E (1/2 and reverse band)	1	83-93	84572E	66708E
E204	Link, manual valve (wire)	TH440 (3rd design)	1	83-91	8649659	66957-R
E205	Spring manual valve (rod end)	TH440/4T60E (2nd design)	1	85-00	8656787	66959A-R
G207	Piston, accumulator	TH440 (1/2 and 3/4)	1/2	83-93	8951927	66982
G207	Piston kit, accumulator	4T60E (1/2 and 2/3)	1/2	91-00	8651933	66983
G207	Piston, accumulator	4T65E (1/2 and 2/3)	1/2	97-09	24206857	66984
G207	Piston, accumulator	4T65E (4th)	1	97-09	4T65-4ACM	66985
n/i	Chain and gear kit Gemini® design	4T65E (35/35)	1	97-09	TGK65B	K66920B
n/i	Chain and gear kit Gemini® design	4T65E (37/33)	1	97-09	TGK65C	K66920C
n/i	Chain and gear kit Gemini® design	4T65E (33/37)	1	97-09	TGK65A	K66920D
n/i	Gear, side differential set	TH440 (w/pin and washers)(final drive)	1	83-89	8646919	51919-R
n/i	Gear, final drive pinion	TH440 (w/ 1" black pin)	1	89-00	8662924	51919A-R
n/i	Clip, 3-2 line	TH440 (for 2 piece valve)	1	83-93	8656678	66965
n/i	Clip, manual valve (rod end)	TH440 (1st design)	1	83-84	8649544	66959-R
n/i	Cable, detent	TH440 (universal-fits most GM)	1	83-00	K65940U	63-399
n/i	Plunger and spring assembly	TH440 (actuator guide)	1	83-90	8656689	66953-R
n/i	Plunger, throttle valve (.357" dia)	TH440 (heat treated steel)	1	83-93	M44711	66970
n/i	Plunger, throttle valve (.396" dia)	TH440 (heat treated steel)	1	83-93	M44712	66971
n/i	Sleeve	TH440 (input housing)	1	83-90	8644139	66022
n/i	Stabilizer, right axle	TH440/4T60E/65E	1	83-09	75125LRB	51731B
n/i	Stabilizer, left axle	TH440/4T60E	1	83-00	84125LRB	66731B
n/i	Stop, 1-2 band (anchor pin)	TH440/4T60E	1	83-00	8649302	66725
n/i	Reluctor wheel 25T	4T65E	1	97-09	24212217	66922
n/i	Reluctor wheel 25T	4T65E	1	97-09	24212217	66922-R
n/i	Valve body spacer plate w/TSR valve	w/bonded gaskets	1	06-07	24243403	24244403
ELECTRICAL COMPONENTS						
G223	Switch, pressure (1 flat terminal)	TH440 (4th)	1	83-93	8658040	15A-131
G224	Switch, pressure (2 flat terminals)	TH440 (3rd)	1	83-93	8658039	15A-132
G225	Switch, pressure (1 terminal)	TH440 (2nd)	1/2	85-93	8683502	15A-112
F226	Connector, electrical (4 terminal square)	TH440 (case)	1	83-93	8662395	25A-104
F226	Connector, electrical (4 prongs round)	TH440 (case)	1	85-93	24202567	25A-105
F226	Connector, electrical (5 prongs round)	TH440 (case)	1	85-93	8649507	25A-105A

ILL	DESCRIPTION	QTY	YEAR	REFERENCE #	PART #	
ELECTRICAL COMPONENTS (CONTINUED)						
F226	Connector, elect (7 prongs round gray)	4T60E (case)	1	91-00	8651620	25A-107
F226	Connector, electrical (7 prongs round)	4T60E (case)	1	91-00	n/a	25A-107A
G227	Thermister, 1 prong (switch)	Cadillac w/viscous converter clutch	1	83-92	8658389	15A-137
n/i	Solenoid	TH440 (lock-up/TCC)	1	83-93	8656372	5A-142
n/i	Solenoid, lock-up/TCC (universal)	TH440	1	84-93	52-0210	5A-146
n/i	Solenoid (PWM)	4T60E (lock-up/TCC)	1	91-00	8683535	5A-394
n/i	Solenoid	4T60E (shift A and B/TCC)	3	91-00	24202614	5A-143
n/i	Kit, solenoid	4T60E	1	91-00	MS-4T60E	25A-015
n/i	Switch, manifold pressure	4T65E	1	97-02	24223197	16A-130
n/i	Switch, pressure	4T65E (transmission fluid/TFP)	1	02-09	24216426	16A-131
n/i	Switch, internal mode	4T65E (MLPS/neutral safety)	1	99-09	24236104	16A-132
n/i	Solenoid (PWM)	4T65E (lock-up/TCC)	1	97-09	24212974	5A-418
n/i	Solenoid	4T65E (pressure control)(EPC)	1	97-02	10478146	5A-419
n/i	Solenoid	4T65E (pressure control)(EPC)	1	02-09	24225825	5A-419A
n/i	Solenoid	4T65E shift 1-2/3-4/2-3)	2	97-09	24219819	5A-420
n/i	Sensor, speed	4T65E (input)	1	97-09	10456509	16A-200
n/i	Sensor, temperature	4T60E/4T65E (fluid)	1	91-09	12129691	16A-201
n/i	Sensor, speed (w/short connector)	4T60E/4T65E (output)(vehicle)	1	91-00	10456034	16A-202
n/i	Sensor, speed (w/long connector)	4T60E/4T65E (output)(vehicle)	1	99-09	24232088	16A-202A
n/i	Sensor, speed (Volvo only)	4T65E (input)	1	99-02	n/a	16A-205
n/i	Sensor, speed (Volvo only)	4T65E (output)(vehicle)	1	99-02	n/a	16A-206
n/i	Harness, internal wire	4T60E (w/PWM)	1	91-93	350-0040	16A-114
n/i	Harness, internal wire	4T60E (w/o PWM)	1	91-93	350-0041	16A-115
n/i	Harness, internal wire	4T60E	1	94-00	350-0036	16A-116
n/i	Harness, internal wire (universal)	4T65E (14/17/19 pin connectors)	1	97-09	24230348	16A-135
n/i	Harness, internal wire (1 prong manifold)	4T65E (w/internal mode)	1	02-09	24229643	16A-136
n/i	Harness, internal wire (4 prongs manifold)	4T65E (w/internal mode)	1	99-02	24221901	16A-138
n/i	Harness, external wire	4T60E	1	91-93	350-0037	16A-118
n/i	Harness, external wire	4T60E	1	94-00	350-0038	16A-119
n/i	Harness, wiring repair (VSS)	external speed sensor	1	97-09	350-0056	16A-159
n/i	Harness, wiring repair (ECM)	electronic control module (ECM)	1	91-05	350-0063	16A-140
SWITCH KITS						
K46	Switch kit®	TH440-T4 to TH125	1	83-92	4-125B	4-125B
SPRAGS						
C147	Roller clutch	TH440/4T60E (3rd)	1	83-93	8662876	66939
C148	Roller clutch assembly	TH440 (3rd)(1st design)	1	83-86	8646539	K66939-R
C148	Roller clutch assembly	TH440/4T60E (3rd)(2nd design)	1	86-93	24202241	K66939A-R
C148	Sprag elements (w/o races)	4T60E/4T65E (input/3rd clutch 1piece)	1	93-95	8665220	K66940B
C148	Sprag assembly (w/races)	4T60E/4T65E (input/3rd clutch)	1	93-09	8665220	K66940B-R
C148	Sprag assembly (diode)	4T65E (3rd)	1	03-09	24216817	K66939C
C151	Sprag .305"	TH440 (low input clutch narrow)	1	83-86	8658501	66933
C151	Sprag .400"	TH440/4T60E (low input clutch wide)	1	86-92	8662031	66933A
C152	Sprag assembly	TH440 (low input clutch 1st design)	1	83-86	8677016	K66940-R
C152	Sprag assembly	TH440/4T60E (low input clutch 2nd design)	1	86-92	8677016	K66940A-R
C152	Sprag assembly	4T60E/4T65E (low input clutch)	1	96-09	24204036	K66940C
C152	Sprag assembly (diode)	4T65E(low input clutch)	1	03-09	24216816	K66940D
D155	Roller clutch	4T60E (1-2)	1	91-95	7471020	35503
D155	Roller clutch	4T60E/4T65E (1-2)	1	96-09	7471007	66962
BONDED PISTONS						
B185	Piston, bonded rubber	TH440/4T60E (2nd clutch)	1	91-00	8678494	66929A
B185	Piston, bonded rubber	4T65E (2nd clutch)	1	97-09	24208336	66929C
C189	Piston, bonded rubber	TH440/4T60E (3rd clutch)	1	89-00	8682736	66917
C189	Piston, bonded rubber	4T65E (3rd clutch)	1	97-09	24205378	66917C



4T40E
59000

ILL	DESCRIPTION		QTY	YEAR	REFERENCE #	PART #
TECHNICAL MANUALS						
K53	Tech manual 4T40E dis/assembly	diagnosis/troubleshooting	1	96-08	83-4T40ETM	010-318
REBUILDER KITS						
K4	Master deluxe rebuild kit	w/pistons	1	95-96	AE	K5900-R
K4	Master deluxe rebuild kit	w/pistons	1	97-10	AE	K5900A-R
K4	Master deluxe rebuild kit	4T40E/4T45E w/o pistons	1	95-96	AE	K5900B-R
K4	Master deluxe rebuild kit	4T40E/4T45E w/o pistons	1	97-10	AE	K5900C-R
K5	Master kit w/steels	w/pistons	1	95-96	AE	K5900
K5	Master kit w/steels	w/pistons	1	97-10	AE	K5900A
K5	Master kit w/steels	4T40E/4T45E w/o pistons	1	95-96	AE	K5900B
K5	Master kit w/steels	4T40E/4T45E w/o pistons	1	97-10	AE	K5900C
K6	Master kit w/o steels	w/pistons	1	95-10	AE	K5900-LS
K6	Master kit w/o steels	4T40E/4T45E w/o pistons	1	95-10	AE	K5900B-LS
K6	Master kit w/o steels	4T40E/4T45E w/o pistons	1	97-10	AE	K5900C-LS
K7	O/H gasket set w/seals-rings	w/pistons	1	95-10	AE	K59900
K7	O/H gasket set w/seals-rings	w/o pistons	1	95-10	AE	K59900B
VALVE BODY KITS						
K15	Shift Kit®	4T40E/4T45E	1	95-08	n/a	K59908
GASKETS AND RUBBER COMPONENTS						
B1	Gasket, oil pan	elasomeric	1	95-10	24203590	13080R
A4	Gasket, valve body	valve body to spacer plate	1	95-03	2430595	23515
A4	Gasket, valve body (white stripe)	valve body to spacer plate	1	04-05	24216019	23515A
A4	Gasket, valve body	valve body to spacer plate	1	06-10	n/a	23515B
A5	Gasket, valve body	spacer plate to channel plate	1	95-03	24204141	23516
A5	Gasket, valve body (white stripe)	spacer plate to channel plate	1	04-05	24216017	23516A
A5	Gasket, valve body	valve body to channel plate	1	06-10	n/a	23516B
A6	Gasket, channel plate	channel plate to case	1	95-10	24201096	23517
B8	Seal, lathe cut	1-2/2-3/3-4 accumulator	3	95-10	24200739	23518
B9	Seal, lathe cut	2-4 servo	1	95-10	8678473	23519
B9	Seal, lathe cut	low/reverse servo	1	95-10	8684394	23523
B10	Lip seal	2-4 servo	1	95-10	8684673	23524
B11	Lip seal	low/reverse servo	1	95-10	8684674	23525
A14	Seal, molded rubber	side cover (inner)	1	95-10	8685154	23527
A15	Seal, molded rubber	side cover (outer)	1	95-10	24200478	23528
B16	Seal	cooler line to case	2	95-10	24200326	23529
A17	Seal (teflon)	pump slide (rectangle teflon)	1	95-10	8631877	13768
A18	Seal (rubber)	pump slide (round peg rubber)	1	95-10	8631283	13762
B19	Seal	filter	1	95-10	8684467	23532
B21	O'ring (teflon coated/green)	turbine shaft	1	95-10	8677453	13766
B22	O'ring	lube tube rack assembly	8	95-10	n/a	13767
A23	O'ring	pump slide	1	95-10	8631504	13761
A25	O'ring	output speed sensor	1	95-10	n/a	23116
n/i	O'ring	fill cap	1	95-10	n/a	23017
n/i	Seal	harness connector	1	95-10	n/a	23526
METAL CLAD SEALS						
B28	Seal, metal clad	front	1	95-10	8685515	51200A
AB29	Seal, metal clad	left and right axle	2	95-10	24201936	59201
B30	Seal, metal clad	left and right axle (inner sleeve)	2	95-10	8684482	59204
B31	Seal, metal clad	manual lever shaft	1	95-10	8644709	51202A
SEALING RINGS						
K10	Kit, sealing ring	complete	1	95-10	AE	K59903
A34	Ring, sealing (teflon)	pump slide	1	95-10	8631417	51305T
B36	Ring, sealing (teflon) solid	turbine shaft (rear)	2	95-96	8643058	51307T
B36	Ring, sealing (teflon) solid	turbine shaft (rear)	2	97-10	24207710	59307T

4T40E•4T45E

4T40E•4T45E

ILL	DESCRIPTION		QTY	YEAR	REFERENCE #	PART #
SEALING RINGS (CONTINUED)						
B37	Ring, sealing (teflon) solid	turbine shaft (front)	1	95-10	8637170	51310T
C38	Ring, sealing (teflon)	driven sprocket support	2	95-10	24201613	59300T
D39	Ring, sealing (teflon)	direct/coast housing shaft	4	95-10	8684272	59301T
F40	Ring, sealing (teflon)	forward clutch support	2	95-10	24204223	59302T
CLUTCH PLATES						
C44	Steel, waved 8T	2nd clutch (cushion)	1	95-10	24200298	59105A
C45	Steel .089" 4.793" id 8T	2nd clutch	3	95-10	24200790	59105
C46	Friction .070" 6.578" od 36T	2nd clutch	3	95-10	8684322	59104
C47	Steel, waved .043" 3.995" id 8T/12T	reverse clutch (cushion)	1	95-10	24243005	59107A
C48	Steel .088" 3.995" id 30T	reverse clutch	3	95-96	24200757	59107
C48	Steel .088" 3.995" id 30T	reverse clutch (new design w/4 holes)	3	97-10	24207081	59109
C49	Friction .070" 5.305" od 48T	reverse clutch	3	95-10	8684266	59106
D50	Steel .069" 2.44" id 12T	coast clutch	4	95-10	8685874	59111
D51	Friction .070" 3.275" od 20T	coast clutch	4	95-10	8684282	59108
D52	Steel .074" 4.96" od 16T (internal T)	direct clutch	6	95-10	8685879	59103
D53	Friction .070" 3.927" id 36T	direct clutch (external teeth)	6	95-10	8684415	59102
D53	Friction .070" 3.927" id 36T (external T)	direct clutch (metallic specks)	6	08-10	n/a	59102A
E55	Steel, waved .039" 4.075" id 8T	forward clutch (cushion)	1	95-10	24200467	59101A
E57	Steel .069" .071" id 8T	forward clutch	7	95-10	8684445	59101
D58	Friction .070" 5.000" od 30T	forward clutch	7	95-10	8684444	59100
PRESSURE PLATES						
C60	Pressure plate .433"	2nd clutch	sel	95-10	8684324	59119-R
C60	Pressure plate .381"	2nd clutch	sel	95-10	24209271	59119A-R
C61	Pressure plate .199"	reverse clutch	sel	95-10	24200756	59118-R
C61	Pressure plate .177"	reverse clutch	sel	95-10	24200950	59118A-R
C61	Pressure plate .222"	reverse clutch	sel	95-10	24200951	59118B-R
D63	Pressure plate .205" (internal teeth)	direct clutch	1	95-10	8685875	59116-R
E64	Pressure plate .120" 4.07" id. 30T	forward clutch	1	95-10	24200595	59115-R
FILTERS						
K9	Kit, filter	elasomeric	1	95-10	AE	FK59710
B65	Filter	4T40E/45E	1	95-10	8685185	59710
n/i	Screen, filter (plastic)(sm rectangle)	lock-up/TCC solenoid (in seperator plate)	1	95-10	24209144	61718
n/i	Screen, filter	actuator feed (in valve body)	1	95-10	8685022	59711
BANDS						
C66	Band	intermediate/4th	1	95-10	8684403	59700
C67	Band, double wrap	low/reverse	1	95-10	8651614	66721
C67	Band, double wrap (high energy)	low/reverse	1	01-10	20202815	66722
BUSHINGS						
K13	Kit, bushing	4T40E/45E	1	95-10	AE	K59901
B69	Bushing (bronze)	drive sprocket support	1	95-10	8628915	32006
B70	Bushing	case	1	95-10	8631119	51013
C72	Bushing	driven sprocket support	1	95-10	8684330	59003
C73	Bushing	reverse clutch (front)	1	95-10	8684269	59004
C74	Bushing	reverse clutch (rear)	1	95-10	8684268	59005
D75	Bushing (bronze)	direct/coast housing (rear)	1	95-10	8631238	51008
D77	Bushing	direct/coast housing (front)	1	95-10	8684518	59007
E78	Bushing	reaction carrier shaft shell	1	95-10	8684589	59008
E79	Bushing	reaction sun shell (gear)	1	95-10	8684586	59009
E80	Bushing	forward clutch hub	1	95-10	8684320	59010
F81	Bushing	forward clutch housing (front)	1	95-10	8684390	59011
F83	Bushing	forward clutch housing (rear)	1	95-10	8684389	59012
F85	Bushing	final drive sun gear shaft	1	95-10	n/a	59014
n/i	Bushing	converter hub	1	95-10	8637801	51005A

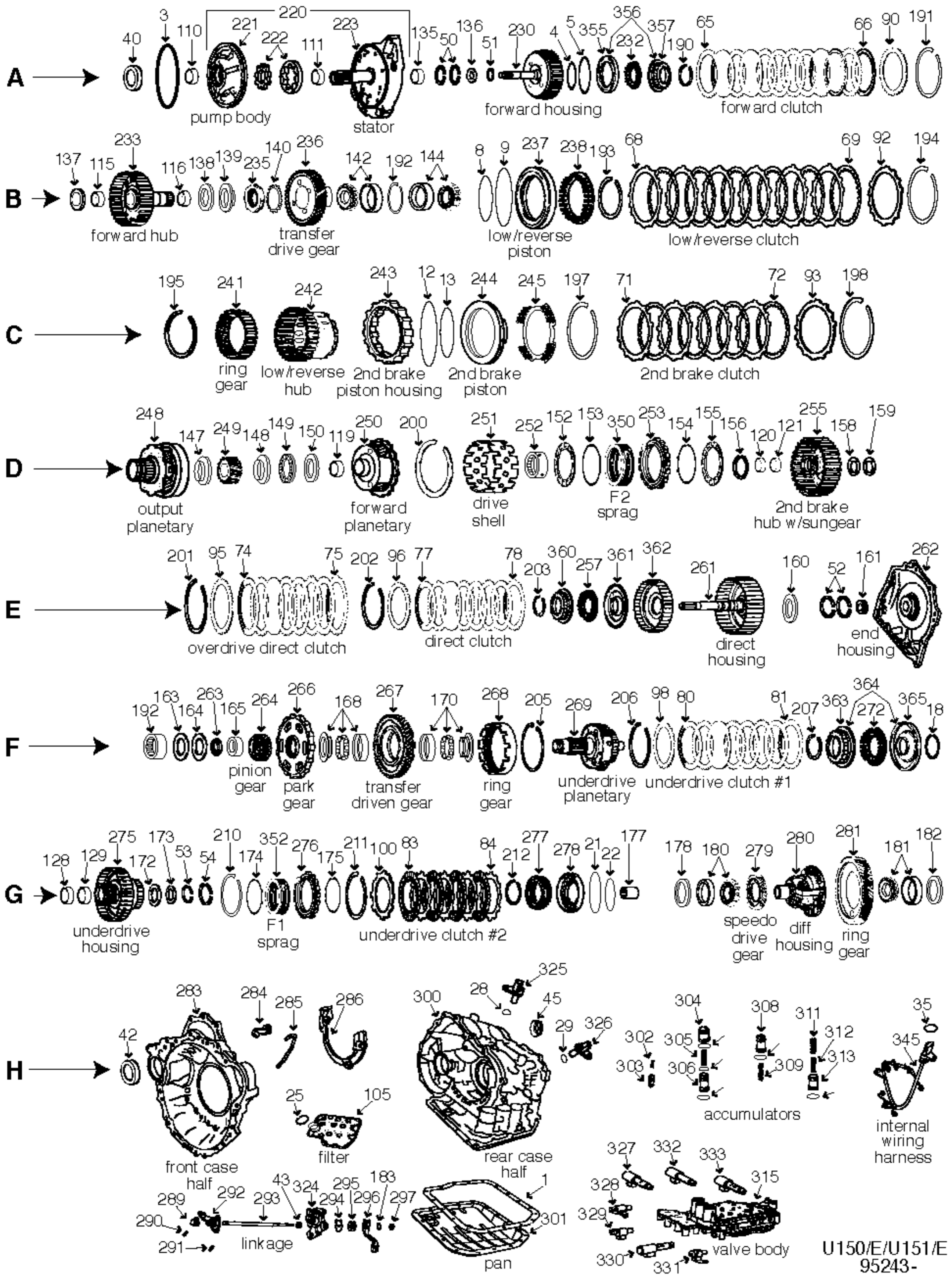
ILL	DESCRIPTION	QTY	YEAR	REFERENCE #	PART #	
WASHERS/BEARINGS/RACES/SHIMS						
K12	Kit, thrust bearing	4T40E/45E	1	95-10	AE	K59906
K14	Kit, thrust washer	4T40E/45E	1	95-10	AE	K59907
C88	Bearing, caged (needle)	driven sprocket support	1	95-10	8631190	51490
A89	Thrust washer	side cover to driven sprocket	1	95-10	8684379	59404
B90	Thrust washer	drive sprocket to channel plate	1	95-10	8652868	51412
B91	Thrust washer (4 tabs)	drive sprocket to stator	1	95-10	8652841	51413
B92	Thrust washer	driven sprocket to sprocket support	1	95-10	8637227	51439
C93	Thrust washer	support to reverse input clutch	1	95-10	8684259	59406
D94	Bearing, thrust	driven sprocket to direct/coast housing	1	95-10	8644206	66509
D95	Thrust washer .061" (brown)	reverse housing to direct/coast housing	sel	95-10	n/a	59407
D95	Thrust washer .072" (gray)	reverse housing to direct/coast housing	sel	95-10	n/a	59407A
D95	Thrust washer .084" (natural)	reverse housing to direct/coast housing	sel	95-10	n/a	59407B
D95	Thrust washer .096" (black)	reverse housing to direct/coast housing	sel	95-10	n/a	59407C
D95	Thrust washer .107" (orange)	reverse housing to direct/coast housing	sel	95-10	n/a	59407D
D95	Thrust washer .119" (violet)	reverse housing to direct/coast housing	sel	95-10	n/a	59407E
D95	Thrust washer .131" (yellow)	reverse housing to direct/coast housing	sel	95-10	n/a	59407F
D95	Thrust washer .142" (red)	reverse housing to direct/coast housing	sel	95-10	n/a	59407G
D95	Thrust washer .154" (green)	reverse housing to direct/coast housing	sel	95-10	n/a	59407H
E96	Thrust washer	forward clutch hub to forward housing	1	95-10	8685039	59408
E97	Bearing, thrust	input carrier to forward hub	1	95-10	8644206	66509
F98	Bearing, thrust	forward clutch support to forward housing	1	95-10	n/a	59410
D99	Bearing, thrust	direct/coast housing to input sun gear	1	95-10	n/a	59409
E100	Bearing, thrust	input s/g shaft to reaction carrier shaft	1	95-10	n/a	59413
E101	Bearing, thrust	input sun gear to reaction carrier	1	95-10	n/a	59414
E102	Bearing, thrust	reaction shaft shell to reaction sun shell	1	95-10	n/a	59416
F103	Bearing, thrust	forward clutch support to park gear	1	95-10	n/a	59415
F104	Bearing, thrust 2.125" od	s/g to differential (final drive assy)	1	95-10	8632504	51454
F105	Bearing, thrust	differential (final drive) to case	1	95-10	8631362	51461
A108	Bearing, needle w/seal assy	pump shaft	1	95-10	33000-01	59477
B109	Bearing, caged (needle)	drive sprocket support (stator)	1	95-10	24205179	51486
SNAP RINGS						
n/i	Snap ring	output shaft (round)	1	95-10	7829495	51495
PUMP PARTS AND PUMPS						
A35	Ring, pump vane (solid)	cast iron (solid)	2	95-10	8665807	51308
A130	Pump assembly	4T40E/45E	1	95-10	24208987	59200-R
A131	Slide, pump	4T40E/45E	1	95-10	8637802	51803
A132	Rotor, pump (15 splines)	4T40E/45E	1	95-10	8637180	51802A
A133	Vane, pump	4T40E/45E	7	95-10	8631280	32800
A140	Shaft, pump	4T40E/45E	1	95-10	8684255	59969
HARD PARTS						
B141	Stator	drive sprocket support w/bearing	1	95-10	8685660	59927-R
B142	Chain, drive	3/4" wide	1	95-03	HV-039	59973
B142	Chain, drive (7/8") (rocker joint type)	7/8" wide (V/6)	1	99-10	HV-058	59973A
B142	Chain, drive	5/8" wide (ZX design)	1	02-10	HV-079	59973B
B143	Sprocket, drive 3/4" 32T	4T40E/45E	1	95-03	24204709	59916-R
B143	Sprocket, drive 3/4" 33T	4T40E/45E	1	95-03	24204710	59916A-R
B143	Sprocket, drive 3/4" 35T	4T40E/45E	1	95-03	24204711	59916B-R
B143	Sprocket, drive 7/8" 32T	4T40E/45E	1	97-10	24217580	59916C-R
B143	Sprocket, drive 7/8" 35T	4T40E/45E	1	97-10	24210128	59916D-R
B143	Sprocket, drive 5/8" 35T	4T40E/45E	1	03-10	n/a	59916E-R
B143	Sprocket, drive 5/8" 33T	4T40E/45E	1	03-10	n/a	59916F-R
A144	Valve body spacer plate	4T40E/45E	1	95-98	24207145	59750
A144	Valve body spacer plate	4T40E/45E	1	95-03	24221953	59750A

4T40E•4T45E

4T40E•4T45E

ILL	DESCRIPTION	QTY	YEAR	REFERENCE #	PART #	
HARD PARTS (CONTINUED)						
A144	Valve body spacer plate	4T40E/45E	1	95-05	24216018	59750B
A144	Valve body spacer plate	4T40E/45E	1	96-97	24205050	59751
A144	Valve body spacer plate	4T40E/45E	1	02-03	24216018	59751A
A144	Valve body spacer plate	4T40E/45E	1	05-10	24216112	59751B
B145	Shaft, turbine	4T40E/45E	1	95-10	8652382	51907A-R
B147	Sprocket, driven 3/4" 38T	4T40E/45E	1	95-03	24204714	59918-R
B147	Sprocket, driven 3/4" 37T	4T40E/45E	1	95-03	24204713	59918A-R
B147	Sprocket, driven 3/4" 35T	4T40E/45E	1	95-03	24204712	59918B-R
B147	Sprocket, driven 7/8" 38T	4T40E/45E	1	97-10	24217586	59918C-R
B147	Sprocket, driven 7/8" 35T	4T40E/45E	1	97-10	24210130	59918D-R
B147	Sprocket, driven 5/8" 35T	4T40E/45E	1	03-10	n/a	59918E-R
B147	Sprocket, driven 5/8" 37T	4T40E/45E	1	03-10	n/a	59918F-R
B148	Shaft, output	long	1	95-10	24200733	59714-R
B149	Shaft, output	short (stub shaft)	1	95-10	24200734	59715-R
B150	Rod, park	actuator	1	95-10	24202424	59720-R
B152	Spring	intermediate/4th servo	1	95-10	9684350	59704-R
B159	Spring	low/reverse servo	1	95-10	8684393	59703-R
B165	Pan, oil	bottom	1	95-10	8685184	8685184
C166	Support, driven sprocket	casting # 8684348	1	95-03	24200283	59930-R
C166	Support, driven sprocket	casting # 24207153	1	95-10	24207143	59930A-R
C171	Retainer	2nd roller clutch (sprag)	1	95-10	24207224	59906
C172	Race (outer)	2nd roller clutch (sprag)	1	95-10	8684671	59949-R
C179	Housing, reverse	drum	1	97-10	24207223	59931-R
D191	Housing, direct/coast	input shaft/direct/coast/assembly	1	97-10	24207726	59932-R
D201	Shaft, input sun gear	w/inner race (sold as assembly)	1	95-10	24203613	59933-R
D202	Race, input sprag	outer	1	95-10	24200497	59934-R
E215	Shell, reaction carrier shaft	4T40E/45E	1	95-10	24202271	59935-R
E216	Shell, reaction sun	4T40E/45E	1	95-10	24218026	59936-R
E219	Carrier, reaction	planetary (front)	1	95-10	24208584	59937-R
E221	Gear, input sun	4T40E/45E	1	95-10	8684581	59938-R
E224	Carrier, input	w/ring gear (planetary rear)	1	95-10	24228792	59940-R
E227	Hub, forward clutch	input carrier flange	1	95-10	24202221	59730-R
F240	Housing, forward clutch	drum	1	95-10	24208640	59941-R
F248	Shaft, sun gear	4T40E/45E	1	95-10	24201609	59942-R
F252	Support, forward clutch	16 roller clutch	1	95-98	24204222	59943-R
F252	Support, forward clutch	17 roller clutch	1	98-10	24212711	59943A-R
F253	Gear, park	4T40E/45E	1	95-10	24204708	59731-R
F260	Gear, sun (reverse cut 38T)	final drive (teeth go right to left)	1	95-10	8684311	66855A-R
F260	Gear, sun (reverse cut 34T)	final drive (teeth go right to left)	1	97-10	8685560	66855B-R
F261	Differential, 20T pinion (38T sun gear)	final drive (reverse cut)	1	95-10	n/a	66972A-R
F261	Differential, 22T pinion (34T sun gear)	final drive (reverse cut)	1	97-10	n/a	66972B-R
note	Differential, pinion	teeth go left to right			n/a	
B273	Tube, lube rack assembly	4T40E/45E	1	95-10	24202349	59760
B273	Tube, lube rack assembly	4T40E/45E	1	95-10	24202349	59760-R
n/i	Piston, servo	low/reverse (casting #24201884)	1	95-10	24203772	59718-R
n/i	Piston, servo	4th (casting #24201879)	1	95-10	24203766	59719-R
n/i	Lever, manual	rooster comb w/shaft assembly	1	95-10	24203588	59721-R
n/i	Spring, return	2nd clutch	1	95-10	8684327	59723-R
n/i	Spring, return	reverse clutch	1	95-10	24200758	59724-R
n/i	Spring, return	coast clutch	1	97-10	24205043	59727-R
n/i	Spring, return	direct clutch	1	95-10	8684510	59728-R
n/i	Spring, return	forward clutch	1	95-10	24208652	59729-R
n/i	Gear, ring	final drive	1	95-10	n/a	59732-R

ILL	DESCRIPTION		QTY	YEAR	REFERENCE #	PART #
HARD PARTS (CONTINUED)						
n/i	Gear, differential kit	black diff shaft w/spider and side gears	1	95-10	n/a	59919-R
n/i	Spring	1/2 accumulator	1	95-10	8685241	59706-R
n/i	Spring	2/3 accumulator	1	95-10	24203557	59707-R
n/i	Spring	3/4 accumulator	1	95-10	8685240	59708
n/i	Sleeve, repair	channel plate	1	95-10	AE	59641
n/i	Pressure regulator repair kit	4T40E	1	95-10	4T40E-PRT	K59964
n/i	Pressure regulator refill kit	4T40E	1	95-10	4T40E-PR5	K59965
ELECTRICAL COMPONENTS						
B264	Sensor, speed	turbine/input (TSS/ISS) square bracket	1	95-10	24218077	15A-017
B264	Sensor, speed	turbine/input (TSS/ISS) round bracket	1	97-10	10456546	15A-018
A265	Switch	pressure manifold	1	95-03	24222079	15A-015
A265	Switch	pressure manifold	1	04-10	24217544	15A-015A
B266	Sensor, speed	vehicle/output (VSS)	1	95-10	24207507	15A-016
A268	Harness, internal wiring	4T40E/45E	1	95-10	n/a	16A-161
n/i	Switch, neutral safety	range switch (MLPS)	1	97-03	12450161	15A-013
n/i	Switch, neutral safety	range switch (MLPS)	1	95-95	n/a	15A-013A
n/i	Switch, neutral safety	range switch (MLPS)	1	96-96	n/a	15A-013B
n/i	Switch, neutral safety	range switch (MLPS)	1	04-10	D2259C	15A-013C
n/i	Solenoid	shift 1-2/2-3 (A/B)	2	95-10	24207236	5A-420
n/i	Solenoid	electronic pressure control (EPC)	1	95-03	10478146	5A-419
n/i	Solenoid	electronic pressure control (EPC)	1	03-10	24225825	5A-419A
n/i	Solenoid (PWM)	lock-up/TCC control	1	95-10	24227792	5A-393
n/i	Harness, wiring repair (VSS)	speed sensor (external)	1	95-10	12101899	16A-159
n/i	Harness, wiring repair (ECM)	electronic control module (ECM)	1	95-10	350-0063	16A-140
SPRAGS						
C177	Roller clutch	2nd clutch	1	95-10	930695	59502
D204	Sprag	input clutch	1	95-10	24203617	59725
F250	Roller clutch (black)	low (16 rollers)	1	95-98	930694	59726
F250	Roller clutch (gray)	low (17 rollers)	1	99-10	24215825	59726A
BONDED PISTONS						
C169	Piston, bonded rubber	2nd clutch	1	95-10	24205042	59530
C181	Seal, bonded rubber	reverse clutch (center)	1	95-10	24205041	59532
C182	Piston, bonded rubber	reverse clutch (outer)	1	95-10	24205040	59531
D193	Piston, bonded rubber	coast clutch	1	95-10	24205043	59534
D206	Piston, bonded rubber	direct clutch	1	95-10	24205044	59533
F238	Piston, bonded rubber	forward clutch	1	95-10	24208641	59535
F239	Seal, bonded rubber	forward clutch (center)	1	95-10	24208642	59536
NOTES						



U150/E/U151/E
95243-

ILL	DESCRIPTION	QTY	YEAR	REFERENCE #	PART #
REBUILDER KITS					
K5	Master kit w/steels w/pistons	1	02-09	AE	95243-11004
K5	Master kit w/steels w/o pistons	1	02-09	AE	95243-11104
K6	Master kit w/o steels w/pistons	1	02-09	AE	95243-12004
K6	Master kit w/o steels w/o pistons	1	02-09	AE	95243-12104
K7	O/H gasket set w/seals-rings w/pistons	1	02-09	AE	95243-13004
K7	O/H gasket set w/seals-rings w/o pistons	1	02-09	FD-DP2447	95243-13104
VALVE BODY KITS					
K15	Kit, 2-3 shift repair fixes shudder or bind-up 2-3 shift	1	04-08	U151-23-SR	95243-17209
GASKETS AND RUBBER COMPONENTS					
H1	Gasket, oil pan neoprene/cork	1	02-09	35168-21011	14003X
H1	Gasket, oil pan Duraprene®	1	02-09	FDB11332	14003D
n/i	Gasket, valve body cover plate	1	02-09	FDB36222	95243-29004
n/i	Gasket, valve body upper/lower	2	02-09	FDB-36223	95243-29104
A3	O'ring pump body	1	02-09	90301-99099	13988
H25	O'ring filter to valve body	1	02-09	90301-32010	13989
H28	O'ring speed sensors	1	02-09	90301-11008	13767
H35	O'ring case connector	1	02-09	99541-02206	13822
METAL CLAD SEALS					
A40	Seal, metal clad front	1	02-09	90311-38077	46200
H42	Seal, metal clad right axle (4WD)	1	04-09	90311-62004	74203
H42	Seal, metal clad right axle	1	02-09	90311-40010	75204
H43	Seal, metal clad 12x22x7mm manual lever shaft	1	02-09	90311-12002	46202
H45	Seal, metal clad left axle	1	04-09	90311-50011	75205
SEALING RINGS					
K10	Kit, sealing ring U150E/U151E	1	02-09	FDB-3451	K74300
A50	Ring, sealing (teflon) foward clutch	2	02-09	35613-21010	74300T
A51	Ring, sealing input shaft	1	02-09	35712-21010	74301T
E52	Ring, sealing direct clutch	3	02-09	35653-21010	74302T
n/i	Ring, sealing underdrive brake	1	02-09	34346-21010	74303T
n/i	Ring, sealing underdrive brake	2	02-09	34244-21010	74304
CLUTCH PLATES					
A65	Steel .071" 4.500" id 40T forward clutch	5	02-09	35634-28010	74101
A66	Friction .071" 5.387" od 40T forward clutch	5	02-09	35633-33090	95243-35204
B69	Friction .071" 6.700" od 40T low/reverse clutch	4	02-09	35681-33010	74104
B68	Steel .071" 5.640" od 12T low/reverse clutch	4	02-09	35691-28010	74105
C72	Friction .071" 6.18" id 40T 2nd brake clutch	6	02-09	35682-28010	74102
C71	Steel .078" 5.640" id 12T 2nd brake clutch	4	02-09	35692-38010	74103
E74	Friction .067" 5.954" od 40T overdrive direct clutch	4	02-09	34627-33010	95243-37004
E75	Steel .071" 5.010" id 40T overdrive direct clutch	4	02-09	34616-33010	95243-40604
E77	Friction .060" 6.180" od 40T direct clutch	3	02-09	35667-33010	95243-35804
E78	Steel .118" 5.54" id 40T direct clutch	3	02-09	35667-33010	74107
F80	Friction .071" 4.918" od 40T underdrive clutch #1	4	02-09	34261-21010	74108
F81	Steel .078" 3.904" id 40T underdrive clutch #1	4	02-09	34263-28010	95243-38204
G83	Friction .071" 4.635" od 28T underdrive clutch #2	4	02-09	34262-21010	74110
G84	Steel .071" 3.663" id 11T underdrive clutch #2	4	02-09	34264-28010	95243-38404
PRESSURE PLATES					
A90	Pressure plate forward clutch (specify thickness)	sel	02-09	AE	74711-R
B92	Pressure plate low/reverse clutch (specify thickness)	se	02-09	AE	74712-R
C93	Pressure plate 2nd brake clutch (specify thickness)	sel	02-09	AE	74713-R
E95	Pressure plate od direct clutch (specify thickness)	sel	02-09	AE	95243-42603
E96	Pressure plate direct clutch (specify thickness)	sel	02-09	AE	74714-R
F98	Pressure plate ud #1 clutch (specify thickness)	sel	02-09	AE	74715-R
G100	Pressure plate ud #2 clutch (specify thickness)	sel	02-09	AE	74718-R

U150E•150•U150F•U151E•151

U150E•F•U151E

ILL	DESCRIPTION	QTY	YEAR	REFERENCE #	PART #
FILTERS					
K9	Kit, filter neoprene/cork	1	02-09	AE	95243-43604
K9	Kit, filter Duraprene®	1	02-09	AE	95243-44104
H105	Filter U150E/U151E	1	02-09	35330-08010	95243-45104
BUSHINGS					
K13	Kit, bushing U151E	1	02-09	AE	K74901
A110	Bushing pump body	1	02-09	AE	46001
A111	Bushing front stator	1	02-09	AE	74002
B115	Bushing front forward hub	1	02-09	AE	74003
B116	Bushing rear forward hub	1	02-09	AE	74003
D119	Bushing forward planetary	1	02-09	AE	74004
D120	Bushing front 2nd brake housing	1	02-09	AE	74005
D121	Bushing rear 2nd brake housing	1	02-09	AE	74005
G128	Bushing front underdrive housing	1	02-09	AE	74006
G129	Bushing rear underdrive housing	1	02-09	AE	74006
WASHERS/BEARINGS/RACES/SHIMS					
K12	Kit, thrust bearing U151E	1	02-09	AE	K74906
A135	Bearing, caged rear stator	1	02-09	n/a	74528
A136	Bearing, thrust pump support to forward drum	1	02-09	90374-34005	74400-R
B137	Bearing, thrust forward drum to forward clutch hub	1	02-09	90374-23002	74401-R
B138	Race, thrust forward clutch hub to front planetary	1	02-09	35786-21010	74403-R
B139	Bearing, thrust forward clutch hub to front planetary	1	02-09	90374-37005	74402-R
D147	Bearing, thrust front planetary to sun gear	1	02-09	90374-34006	74404-R
D148	Race (inner lip) sun gear to rear planetary	1	02-09	35787-21010	74405-R
D149	Bearing, thrust sun gear to rear planetary	1	02-09	90374-38002	74406-R
D150	Race sun gear to rear planetary	1	02-09	35788-21010	74407-R
D152	Thrust washer outer sprag race to rear planetary	1	02-09	35737-28010	74416
D153	Thrust washer (2 tabs) outer sprag race to rear planetary	1	02-09	35737-21010	74408
D154	Thrust washer (2 tabs) outer sprag race to 2nd brake hsg	1	02-09	35737-21010	74408
D155	Thrust washer outer sprag race to 2nd brake hsg	1	02-09	35737-28010	74416
D156	Bearing, thrust inner sprag race to sun gear housing	1	02-09	n/a	74409-R
D158	Race direct drum to sun gear housing	1	02-09	35789-21010	74411-R
D159	Bearing, thrust direct drum to sun gear housing	1	02-09	90374-33003	74410-R
E160	Bearing, thrust direct drum to end housing	1	02-09	90374-53010	74409-R
E161	Bearing, caged end housing	1	02-09	90364-18010	74529
F163	Bearing, thrust pinion to park gear	1	02-09	90374-53004	74412-R
F164	Race, thrust pinion to park gear	1	02-09	34736-32020	74413-R
G172	Bearing, thrust underdrive housing to case	1	02-09	90374-37007	74414-R
G173	Race, thrust underdrive housing to case	1	02-09	34737-21010	74415-R
SNAP RINGS					
A190	Snap ring forward retainer	1	02-09	AE	74601-R
A191	Snap ring forward pressure plate	1	02-09	AE	74603-R
B192	Snap ring transfer drive gear	1	02-09	AE	74605-R
B193	Snap ring low/reverse retainer	1	02-09	AE	74607-R
B194	Snap ring low/reverse pressure plate	1	02-09	AE	74608-R
C195	Snap ring ring gear to hub	1	02-09	AE	74609-R
C197	Snap ring 2nd brake retainer	1	02-09	AE	74612-R
C198	Snap ring 2nd brake pressure plate	1	02-09	AE	74615-R
D200	Snap ring forward planetary to hub	1	02-09	AE	74617-R
E201	Snap ring od direct pressure plate	1	02-09	AE	95243-64203
E202	Snap ring direct pressure plate	1	02-09	AE	74622-R
E203	Snap ring direct retainer	1	02-09	AE	74625-R
F205	Snap ring underdrive ring gear	1	02-09	AE	74629-R
F206	Snap ring ud clutch #1 pressure plate	1	02-09	AE	74632-R

ILL	DESCRIPTION	QTY	YEAR	REFERENCE #	PART #
SNAP RINGS (CONTINUED)					
F207	Snap ring ud clutch #1 retainer	1	02-09	AE	74635-R
G210	Snap ring F1 sprag	1	02-09	AE	74638-R
G211	Snap ring ud clutch #2 pressure plate	1	02-09	AE	74640-R
G212	Snap ring ud clutch #2 retainer	1	02-09	AE	74642-R
PUMP PARTS AND PUMPS					
A220	Pump, assembly (.422" rotor type gears) U150E/U151E	1	02-09	AE	74200A-R
A220	Pump, assembly (rotor type gears) U150E/U151E	1	02-09	AE	95243-67003
HARD PARTS					
A230	Housing, w/shaft (6 clutch) forward clutch	1	02-09	AE	74925-R
A230	Housing, w/shaft (5 clutch) forward clutch	1	02-09	AE	74925A-R
A232	Retainer, w/springs 1.052" oh forward clutch	1	02-09	AE	74921A-R
B233	Hub, forward clutch U150E/U151E	1	02-09	AE	74926-R
B236	Gear, transfer drive 52T 6.315" od 2 id grooves	1	02-09	AE	95243-73103
B237	Piston, (aluminum) .690" oh low/reverse clutch	1	02-09	AE	95243-73303
B238	Piston, low reverse .605" oh (aluminum) low/reverse clutch	1	02-09	AE	74931A-R
C241	Gear, ring .866" 40 lugs 77T output planetary	1	02-09	AE	74948-R
C242	Hub, low/reverse brake U150E/U151E	1	02-09	AE	74928-R
C243	Housing, 2nd clutch U150E/U151E	1	02-09	AE	74933-R
C244	Piston, (aluminum) 2nd brake clutch	1	02-09	AE	74934-R
C245	Retainer, w/springs 2nd brake clutch	1	02-09	AE	74936-R
D248	Planetary, front output 4 pinions	1	02-09	AE	74927-R
D249	Gear, sun 43T output planetary	1	02-09	AE	74920-R
D249	Gear, sun 43T (1 notch) output planetary	1	02-09	AE	95243-74003
D250	Planetary, front forward planetary	1	02-09	AE	95243-74303
D251	Shell, drive U150E/U151E	1	02-09	AE	74922-R
D252	Race, inner sprag U150/U151E	1	02-09	AE	74958-R
D253	Race, outer sprag w/sprag/inner race U150E/U151E	1	02-09	AE	74937-R
D255	Housing, w/sun gear 2nd brake hub (uses 3 tab washer)	1	02-09	AE	95243-74503
E257	Retainer, w/springs direct clutch	1	02-09	AE	95243-74703
E261	Housing, w/shaft (4 clutch) direct clutch (piston ledge up 2" oh)	1	02-09	AE	95243-74903
E262	Housing, end (3 rings) U150E/U151E	1	02-09	AE	95243-75103
F264	Gear, pinion 23T (1 notch) U150E/U151E	1	02-09	AE	95243-75303
F264	Gear, pinion 25T (1 notch) U150E/U151E	1	02-09	AE	95243-75403
F266	Gear, park U150E/U151E	1	02-09	AE	74944-R
F267	Gear, transfer driven 53T (w/o-notches) U150E/U151E	1	02-09	AE	74949-R
F267	Gear, transfer driven 57T (2 notches) U150E/U151E	1	02-09	AE	95243-76003
F268	Gear, ring 91T U150E/U151E	1	02-09	AE	74945-R
F269	Planetary, underdrive (4 pinion gears) U150E/U151E	1	02-09	AE	74946A-R
F272	Retainer, w/springs underdrive brake #1	1	02-09	AE	74952-R
G275	Housing, underdrive brake #1 (4 clutch) w/35T sun gear	1	02-09	AE	74947-R
G280	Differential, assembly w/spiders U150E (w/o speedo 16 bolts)	1	02-09	AE	95243-80103
G281	Gear, differential ring U151E (3 id-grooves 16 bolts)	1	02-09	AE	95243-81003
H283	Case, front half U150E/U151E	1	02-09	AE	95243-81503
H300	Case, rear half U150E/U151E	1	02-09	AE	95243-82803
H301	Pan, bottom U150E/U151E	1	02-09	AE	95243-83203
H315	Valve body w/solenoids U150E/U151E	1	02-09	AE	95243-84003
ELECTRICAL COMPONENTS					
n/i	Kit, solenoid (7 solenoids) U150/U151E	1	02-09	52-9034	95243-93004
H324	Switch, neutral start (MLSP) 9 pin (rivets hold it together)	1	02-09	n/a	95243-85504
H325	Sensor, speed w/.175" metal tip input	1	02-09	n/a	95243-85704
H326	Sensor, speed w/.175" metal tip output	1	02-09	n/a	95243-85704
H327	Solenoid 5.1 ohm SL3	1	02-09	35220-45010	95243-88304
H328	Solenoid on/off 12 ohm SR/shift 2/3	1	02-09	35230-33020	95243-87104



Experience isn't just how long you've been in business. It's what you know. And these guys know transmissions.

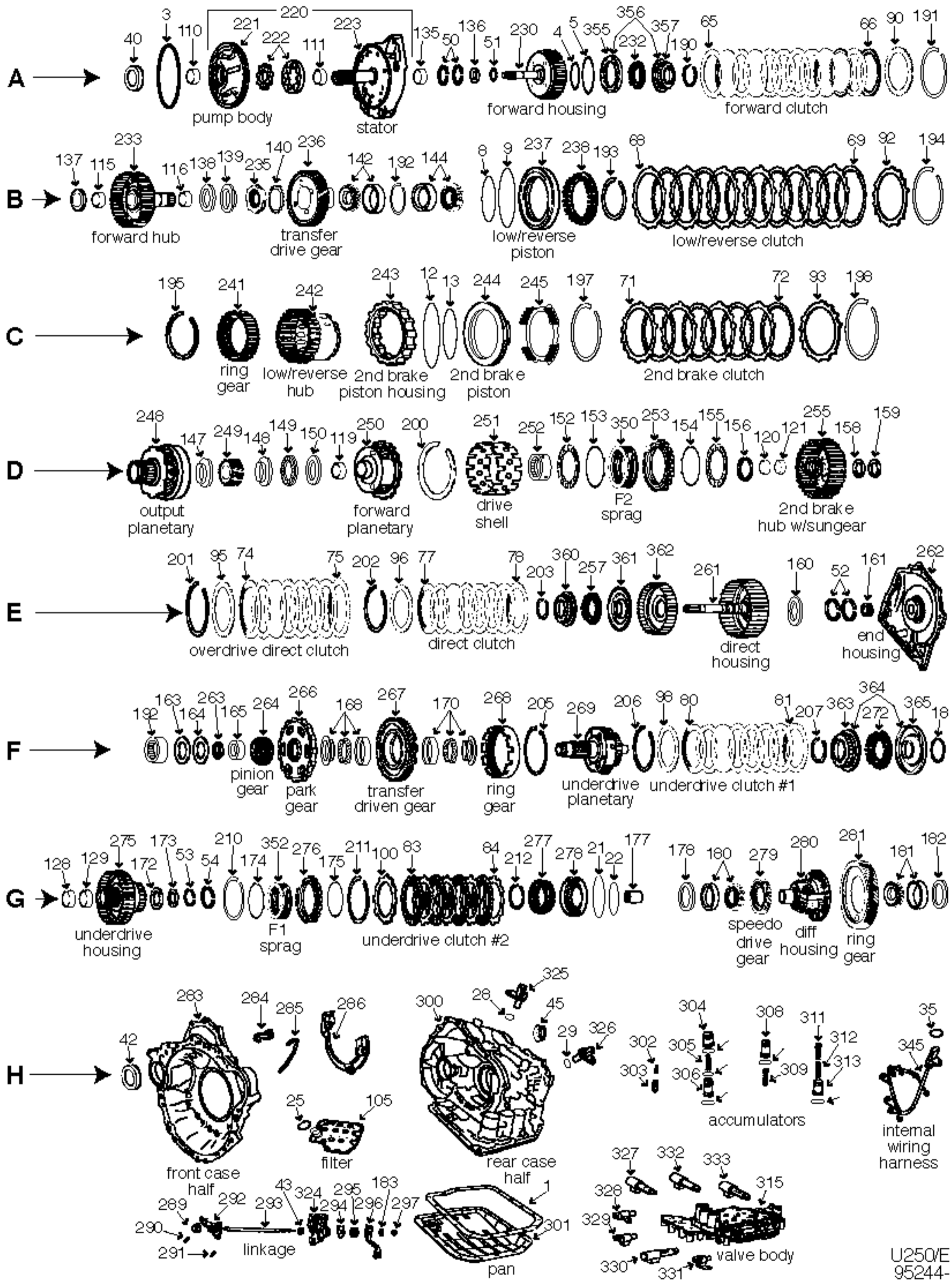
Having the parts you need is important. Knowing what you need is the difference. Our parts are researched and tested by our quality staff, so you will have the confidence that, when you buy a Toledo Driveline™ part, you get the quality and performance you demand.

But that's not our only strength. Backing up our complete line of parts with over 5 decades of know how and what you need.

So, look to Toledo Driveline™ quality and selection for transmission parts you can trust. And count on the expert knowledge to back them up.

Toledo
DRIVELINE





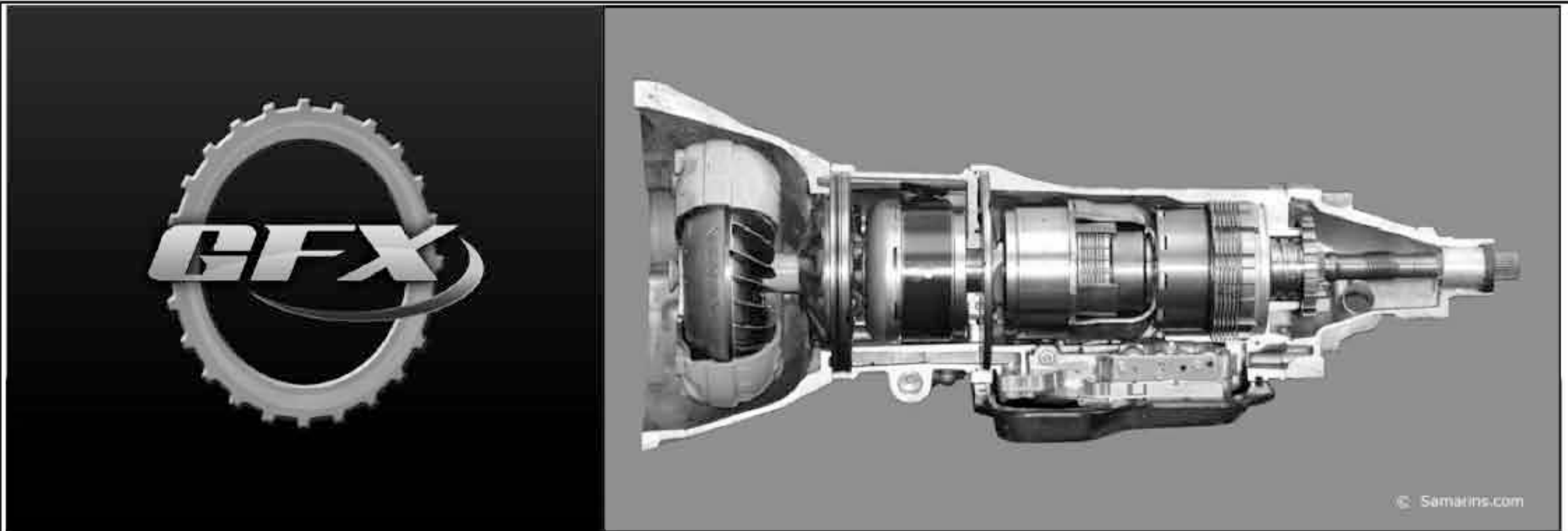
U250/E
95244-

ILL	DESCRIPTION		QTY	YEAR	REFERENCE #	PART #
REBUILDER KITS						
K4	Master deluxe rebuilding kit	w/pistons	1	02-10	AE	95244-10004
K4	Master deluxe rebuilding kit	w/o pistons	1	02-10	AE	95244-10104
K5	Master kit w/steels	w/pistons	1	02-10	AE	95244-11004
K5	Master kit w/steels	w/o pistons	1	02-10	AE	95244-11104
K6	Master kit w/o steels	w/ pistons	1	02-10	AE	95244-12004
K6	Master kit w/o steels	w/o pistons	1	02-10	AE	95244-12104
K11	O/H gasket set w/seals-rings	w/pistons	1	02-10	FDB-2489	95244-13004
K11	O/H gasket set w/seals-rings	w/o pistons	1	02-10	FDB-2490	95244-13104
GASKETS AND RUBBER COMPONENTS						
A3	O'ring	pump body	1	02-10	90301-99099	13988
H1	Gasket, oil pan	neoprene/cork	1	02-10	35168-21011	14003X
METAL CLAD SEALS						
A40	Seal, metal clad	front	1	02-10	90311-38077	46200
H42	Seal, metal clad	right axle	1	02-10	90311-40031	95244-30204
H45	Seal, metal clad	left axle	1	02-10	90311-50026	95244-30104
SEALING RINGS						
K10	Kit, sealing ring	U250E	1	02-10	AE	K74300
A50	Ring, sealing (teflon)	stator	2	02-10	35613-21010	74300T
A51	Ring, sealing	input shaft	1	02-10	35712-21010	74301T
E52	Ring, sealing	direct clutch/end housing	2	02-10	35653-21010	74302T
G53	Ring, sealing	underdrive brake (small)	1	02-10	34346-21010	74303T
G54	Ring, sealing	underdrive brake (large)	1	02-10	34255-21010	74304
CLUTCH PLATES						
A65	Steel .071" 4.500" id 40T	forward clutch	5	02-10	35634-21010	74101
A66	Friction .071" 5.387" od 40T	forward clutch	5	02-10	136700A-180	95243-35204
B68	Steel .078" 5.640" id 12T	low/reverse clutch	5	02-10	35692-21010	74103
B69	Friction .075" 6.400" od 40T	low/reverse clutch	5	02-10	136706-190	95244-35204
C71	Steel .071" 5.640" od 12T	2nd brake clutch	3	02-10	35691-21010	74105
C72	Friction .071" 6.700" od 40T	2nd brake clutch	3	02-10	35681-21010	74104
E74	Friction .067" 5.954" od 40T	overdrive direct clutch	3	02-10	34627-33010	95243-37004
E75	Steel .071" 5.010" id 40T	overdrive direct clutch	4	02-10	34616-33010	95243-40604
E78	Steel .118" 5.54" id 40T	direct clutch	3	02-10	35647-33030	74107
E77	Friction .060" 6.180" od 40T	direct clutch	3	02-10	35667-33010	95243-35804
F80	Friction .071" 4.487" od 40T	underdrive clutch #1	3	02-10	34261-32020	74112
F81	Steel .078" 3.550" id 40T	underdrive clutch #1	3	02-10	34263-32020	74113
G83	Friction .071" 4.435" od 28T	underdrive clutch #2	3	02-10	34262-32020	74114
G84	Steel .071" 3.510" id 11T	underdrive clutch #2	3	02-10	34264-32020	74115
PRESSURE PLATES						
A90	Pressure plate	forward clutch (specify thickness)	sel	02-10	AE	74711-R
B92	Pressure plate	low/reverse clutch (specify thickness)	sel	02-10	AE	74712-R
C93	Pressure plate	2nd brake clutch (specify thickness)	sel	02-10	AE	74713-R
E95	Pressure plate	od direct clutch (specify thickness)	sel	02-10	AE	95243-42603
E96	Pressure plate	direct clutch (specify thickness)	sel	02-10	AE	74714-R
F98	Pressure plate	ud clutch #1 (specify thickness)	sel	02-10	AE	74715-R
G100	Pressure plate	ud clutch #2 (specify thickness)	sel	02-10	AE	74718-R
FILTERS						
H105	Filter	U250E	1	02-10	35330-08010	95243-45104
BUSHINGS						
K13	Kit, bushing	U250E	1	02-10	AE	K74901
A110	Bushing	pump body	1	02-10	AE	46001
A111	Bushing	front stator	1	02-10	AE	74002
B115	Bushing	front forward hub	1	02-10	AE	74003
B116	Bushing	rear forward hub	1	02-10	AE	74003

ILL	DESCRIPTION	QTY	YEAR	REFERENCE #	PART #
BUSHINGS (CONTINUED)					
D119	Bushing forward planetary	1	02-10	AE	74004
D120	Bushing front 2nd brake housing	1	02-10	AE	74005
D121	Bushing rear 2nd brake housing	1	02-10	AE	74005
G128	Bushing front underdrive housing	1	02-10	AE	74006
G129	Bushing rear underdrive housing	1	02-10	AE	74006
WASHERS/BEARINGS/RACES/SHIMS					
K12	Kit, thrust bearing U250E	1	02-10	AE	K74906
A135	Bearing, caged rear stator	1	02-10	n/a	74528
A136	Bearing, thrust pump support to forward drum	1	02-10	90374-34005	74400-R
B137	Bearing, thrust forward drum to forward clutch hub	1	02-10	90374-23002	74401-R
B138	Race, thrust forward clutch hub to front planetary	1	02-10	35786-21010	74403-R
B139	Bearing, thrust forward clutch hub to front planetary	1	02-10	90374-37005	74402-R
D147	Bearing, thrust front planetary to sun gear	1	02-10	90374-34006	74404-R
D148	Race (inner lip) sun gear to rear planetary	1	02-10	35787-21010	74405-R
D149	Bearing, thrust sun gear to rear planetary	1	02-10	90374-38002	74406-R
D150	Race sun gear to rear planetary	1	02-10	35788-21010	74407-R
D152	Thrust washer outer sprag race to rear planetary	1	02-10	35737-28010	74416
D153	Thrust washer (2 tabs) outer sprag race to rear planetary	1	02-10	35737-21010	74408
D154	Thrust washer (2 tabs) outer sprag race to 2nd brake hsg	1	02-10	35737-21010	74408
D155	Thrust washer outer sprag race to 2nd brake hsg	1	02-10	35737-28010	74416
D156	Bearing, thrust inner sprag race to sun gear housing	1	02-10	n/a	74409-R
D158	Race direct drum to sun gear housing	1	02-10	35789-21010	74411-R
D159	Bearing, thrust direct drum to sun gear housing	1	02-10	90374-53010	74410-R
E160	Bearing, thrust direct drum to end housing	1	02-10	90374-53010	74409-R
E161	Bearing, caged end housing	1	02-10	90364-18010	74529
F163	Bearing, thrust pinion to park gear	1	02-10	90374-53004	74412-R
F164	Race, thrust pinion to park gear	1	02-10	34736-32020	74413-R
G172	Bearing, thrust underdrive housing to case	1	02-10	90374-37007	74414-R
G173	Race, thrust underdrive housing to case	1	02-10	34737-21010	74415-R
SNAP RINGS					
A190	Snap ring forward retainer	1	02-10	AE	74601-R
A191	Snap ring forward pressure plate	1	02-10	AE	74603-R
B192	Snap ring transfer drive gear	1	02-10	AE	74605-R
B193	Snap ring low/reverse retainer	1	02-10	AE	74607-R
B194	Snap ring low/reverse pressure plate	1	02-10	AE	74608-R
C195	Snap ring ring gear to hub	1	02-10	AE	74609-R
C197	Snap ring 2nd brake retainer	1	02-10	AE	74612-R
C198	Snap ring 2nd brake pressure plate	1	02-10	AE	74615-R
D200	Snap ring forward planetary to hub	1	02-10	AE	74617-R
E201	Snap ring od direct pressure plate	1	02-10	AE	95243-64203
E202	Snap ring direct pressure plate	1	02-10	AE	74622-R
E203	Snap ring direct retainer	1	02-10	AE	74625-R
F205	Snap ring underdrive ring gear	1	02-10	AE	74629-R
F206	Snap ring ud clutch #1 pressure plate	1	02-10	AE	74632-R
F207	Snap ring ud clutch #1 retainer	1	02-10	AE	74635-R
G210	Snap ring F1 sprag	1	02-10	AE	74638-R
G211	Snap ring ud clutch #2 pressure plate	1	02-10	AE	74640-R
G212	Snap ring ud clutch #2 retainer	1	02-10	AE	74642-R
PUMP PARTS AND PUMPS					
A220	Pump, assembly (rotor type gears) U250E	1	02-10	AE	95243-67003

ILL	DESCRIPTION	QTY	YEAR	REFERENCE #	PART #
HARD PARTS					
A230	Housing, w/shaft (5 clutch) forward clutch	1	02-10	AE	74925A-R
A231	Piston, apply (aluminum) forward clutch	1	02-10	AE	74924-R
A232	Retainer, w/springs 1.052" oh forward clutch	1	02-10	AE	74921A-R
B233	Hub, forward clutch forward clutch	1	02-10	AE	74926-R
B236	Gear, transfer drive 50T 1 notch (ball bearing)	1	02-10	AE	95244-73103
B237	Piston, (aluminum) low/reverse clutch (has lip)	1	02-10	AE	95244-73303
B237	Piston, low reverse .605" oh (aluminum) low/reverse clutch	1	02-10	AE	74931A-R
B238	Retainer, w/springs low/reverse clutch	1	02-10	AE	74932-R
C241	Gear, ring .866" 40 lugs 77T output planetary	1	02-10	AE	74948-R
C242	Hub, low/reverse brake U250E	1	02-10	AE	74928-R
C243	Housing, 2nd clutch U250E	1	02-10	AE	74933-R
C244	Piston, (aluminum) 2nd brake clutch	1	02-10	AE	74934-R
C245	Retainer, w/springs 2nd brake clutch	1	02-10	AE	74936-R
D248	Planetary, front output 3 pinions	1	02-10	AE	74927A-R
D249	Gear, sun 43T (1 notch) output planetary	1	02-10	AE	95243-74003
D250	Planetary, forward front 3 pinion gears	1	02-10	AE	95244-74303
D251	Shell, drive U250E	1	02-10	AE	74922-R
E252	Race, inner sprag U250E	1	02-10	AE	74958-R
D253	Race, outer w/sprag/inner race (F2) U250E	1	02-10	AE	95244-74503
D255	Housing, w/sun gear uses 3 tab washer	1	02-10	AE	95243-74503
E257	Retainer, w/springs direct clutch	1	02-10	AE	95243-74703
E261	Housing, direct clutch w/shaft piston ledge up 1.125" oh	1	02-10	AE	74938A-R
E262	Housing, end U250E	1	02-10	AE	95244-75103
F264	Gear, pinion 23T (3 notches) U250E	1	02-10	AE	95244-75304
F266	Gear, park U250E	1	02-10	AE	95244-75903
F267	Gear, transfer driven 51T (1 notch) U250E	1	02-10	AE	95244-76003
F268	Gear, ring 83T U250E	1	02-10	AE	74945A-R
F269	Planetary, underdrive (4 pinion gears) U250E	1	02-10	AE	74962A-R
F272	Retainer, w/springs underdrive clutch #1	1	02-10	AE	74952-R
G275	Housing, underdrive brake #1 (3 clutch) w/32T sun gear	1	02-10	AE	74947A-R
G280	Differential, assembly w/spiders gears U250E (w/o speedo 8 bolts)	1	02-10	AE	95244-80103
G281	Gear, differential ring U250E (78T w/o id grooves 8 bolts)	1	02-10	AE	95244-81003
G281	Gear, differential ring U250E (78T 3 id grooves 8 bolts)	1	02-10	AE	95244-81303
H283	Case, front half U250E	1	02-10	AE	95244-81503
H300	Case, rear half U250E	1	02-10	AE	95244-82803
H301	Pan, bottom U250E	1	02-10	AE	95244-83203
H315	Valve body w/solenoids U250E	1	02-10	AE	95244-84003
ELECTRICAL COMPONENTS					
n/i	Kit, solenoid (7 solenoids) U250E	1	02-10	52-9034	95243-93004
H324	Switch, neutral start (MLSP) 9 pin (rivets hold it together)	1	02-10	n/a	95243-85504
H325	Sensor, speed w/.175" metal tip input	1	02-10	n/a	95243-85704
H326	Sensor, speed w/.175" metal tip output	1	02-10	n/a	95243-85704
H327	Solenoid 5.1 ohm SL3	1	02-10	35220-45010	95243-88304
H328	Solenoid on/off 12 ohm SR/shift 2/3	1	02-10	35230-33020	95243-87104
H329	Solenoid on/off 12 ohm S4/shift 4/5	1	02-10	35230-33010	95243-87704
H330	Solenoid 5.1 ohm SL2/linear/shift 2/SS2	1	02-10	35220-45010	95243-88304
H331	Solenoid on/off 12 ohm DSL/lock-up/TCC	1	02-10	35240-33030	95243-87404
H332	Solenoid 5.1 ohm (brown connector) SLT/linear/line control/EPC (2nd design)	1	02-10	35290-45010	95243-88004
H333	Solenoid 5.1 ohm SL1/linear/shift 1/SS1	1	02-10	35210-33010	95243-88604
H345	Harness, internal wiring 13 prongs	1	02-10	n/a	95243-89004

U250E



© Samatins.com



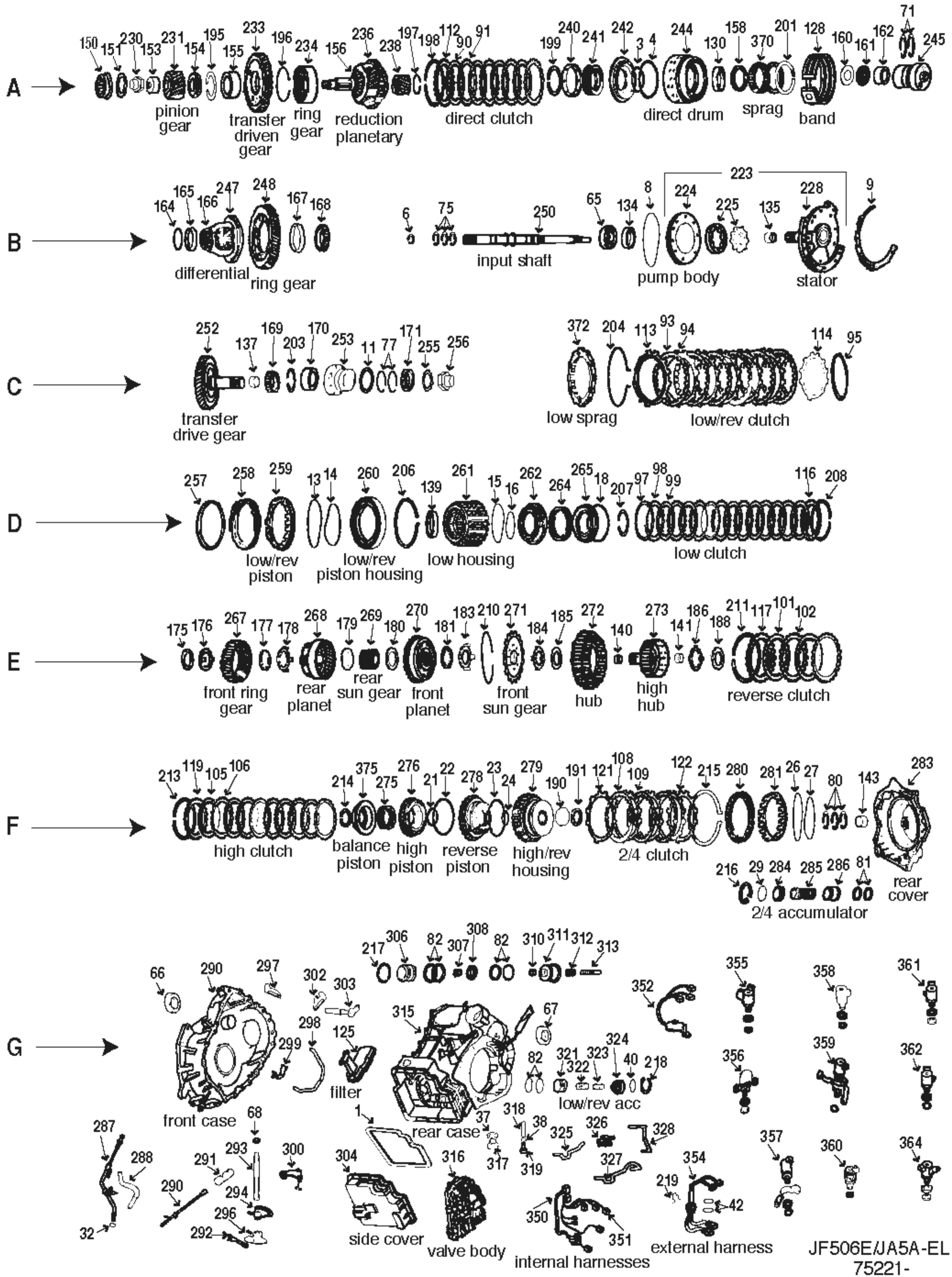
GFX Inc.

“The Monster” is just one of the many parts that GFX has manufactured within the last few years.

We specialize in offering the industry quality hard parts at very competitive prices. We also carry many popular items such as Pump Gears, Solenoids, Borg-Warner Morse chains, Dynax Friction Plates and much more.

305-499-9789-office 305-499-9789-Fax

A & Reds, authorized GFX Distributor



JF506E/JA5A-EL
75221-

ILL	DESCRIPTION	QTY	YEAR	REFERENCE #	PART #
TECHNICAL MANUALS					
K53	Tech manual JF506E dis/assembly	1	02-07	JF506ETM	010-465
K53	Update handbook parts	1	02-07	JF506EHB	010-466
REBUILDER KITS					
K5	Master kit w/steels w/piston	1	02-10	MGW-K5000E	75221-11004
K6	Master kit w/o steels w/piston	1	02-10	MGW-K5000E-W/O	75221-12004
K7	O/H gasket set w/seals-rings w/piston	1	02-10	FDB-2445	75221-13004
K15	Kit, valve body gasket	1	02-10	FDB-4761	75221-16004
VALVE BODY KITS					
K15	Kit, valve body repair	1	02-10	n/a	75221-17009
K15	Kit, valve body gasket	1	02-10	FDB-4761	75221-16004
GASKETS AND RUBBER COMPONENTS					
G1	Gasket, oil pan	1	02-10	n/a	75221-18104
G1	Gasket, oil pan	1	02-10	B11377	75221-19104
B6	O'ring	1	02-10	BV01-21-677	23721
B8	O'ring	1	02-10	BW01-21-032	23086
B9	Gasket, pump (metal coated)	1	02-10	316323-5P000	75221-28004
G32	O'ring	1	02-10	99541-01201	1083
G42	O'ring	2	02-10	96041849	13045
n/i	Washer	4	02-10	99562-1400	75221-28804
n/i	Ball, check .218" od (viton)	8	02-10	FDB-B30141	13923
n/i	Seal, valve body to case/accumulator cover	2	02-10	31528-LW000	75221-23604
n/i	Seal, valve body to case/low reverse feed	2	02-10	31641-PR000	75221-23704
n/i	Seal, solenoid to valve body	2	02-10	FDB-B33219	75221-23804
METAL CLAD SEALS					
B65	Seal, metal clad	1	02-10	31375-PR000	81200
G66	Seal, metal clad	1	02-10	FP01-27-238	75221-30204
G66	Seal, metal clad	1	02-06	FDB-B37003	73221-30204
G67	Seal, metal clad	1	02-10	FP01-27-238	75221-30204
G67	Seal, metal clad	1/2	02-10	38342-PR000	71221-30204
G67	Seal, metal clad	1	02-06	FDB-B37003	73221-30204
G68	Seal, metal clad	1	02-10	BV11-19-437	78210
G68	Seal, metal clad 12x22x7mm	1	02-06	FDB-B29862	46202
SEALING RINGS					
K10	Kit, sealing ring	1	02-10	FDB-B21822	75221-31504
A71	Sealing ring (plastic)	2	02-10	FP01-19-655	75221-33504
B75	Sealing ring (teflon)	3	02-10	FP01-19-256	75221-33704
C77	Sealing ring (plastic)	2	02-10	FP01-19-257	75221-33804
F80	Sealing ring (teflon)	3	02-10	FP01-19-212	75221-33904
F81	Sealing ring (teflon)	2	02-10	FP01-19-701	75221-34504
G82	Sealing ring (teflon)	4	02-10	FP01-19-701	75221-34504
CLUTCH PLATES					
A90	Friction .068" 4.026" od 26T	4	02-10	FP01-19-580	75221-35104
A91	Steel .079" 3.380" id 24T	4	02-10	FP01-19-499	75221-37504
A91	Steel .079" 3.380" 24T (wide teeth)	4	02-10	162701A-200	75221-37604
C93	Friction .071" 6.455" od 32T	7	02-10	FP01-19-590	90108
C94	Steel .055" 5.908" 10T	6	02-10	FP01-19-609	75221-37804
D98	Steel .055" 4.841" id 32T	7	02-10	FP01-19561	75221-38004
D99	Friction .068" 5.426" od 30T	7	02-10	FP01-19-5J0	75221-35404
E101	Friction .060" 6.141" od 32T	2	01-10	FP01-19-610	75221-36804
E102	Steel .078" 5.614" id 36T	2	02-10	FP01-19-571	75221-38204
F105	Friction .063" 4.415" od 24T	5	02-10	FP01-19-620	90102A
F106	Steel .095" 3.596" id 18T	4	02-10	FP01-19-6E1	75221-38404
F106	Steel .063" 3.596" id 18T	1	02-10	FP01-19-6E2	75221-38504

JF506E•JA5A-EL•RE5F01A

JF506E•JA5A-EL•RE5F01A

ILL	DESCRIPTION	QTY	YEAR	REFERENCE #	PART #
CLUTCH PLATES (CONTINUED)					
F108	Friction .063" 7.534" od 32T 2nd/4th clutch	6	02-10	FP01-19-3V0	75221-37004
F109	Steel .118" 6.663" id 7T 2nd/4th clutch	2	02-10	FP01-19-3N4	75221-38804
PRESSURE PLATES					
A112	Pressure plate .171" 3.385" id 24T direct clutch	1	02-10	AE	75221-41103
A112	Pressure plate .178" 3.385" id 24T direct clutch	1	02-10	AE	71221-41103
C113	Pressure plate .250" 5.910" id 10T low/reverse clutch (stepped)	1	02-10	AE	75221-41403
G114	Pressure plate (apply) .100" 5.910" id 10T low/reverse clutch (flat)	1	02-10	AE	75221-41503
D116	Pressure plate .160" 4.845" id 32T low clutch	1	02-10	AE	71221-41803
E117	Pressure plate .141" 5.615" id 36T reverse clutch	sel	02-10	AE	75221-41603
E117	Pressure plate .150" 5.615" id 36T reverse clutch	sel	02-10	AE	75221-41703
E117	Pressure plate .157" 5.615" id 36T reverse clutch	sel	02-10	AE	75221-41803
E117	Pressure plate .165" 5.615" id 36T reverse clutch	sel	02-10	AE	75221-41903
F119	Pressure plate .205" 3.610" id 18T high clutch	1	02-10	AE	75221-42503
F121	Pressure plate .163" 6.625" id 7T 2/4 clutch	1	02-10	AE	75221-43003
F122	Pressure plate (apply) .298" 6.625" id 7T 2/4 clutch	sel	02-10	AE	75221-43203
F122	Pressure plate (apply) .308" 6.625" id 7T 2/4 clutch	sel	02-10	AE	75221-43303
FILTERS					
K9	Kit, filter Mazda/Jaguar (neoprene/cork)	1	02-06	AE	75221-43604
K9	Kit, filter Mazda/Jaguar (Duraprene®)	1	02-06	AE	75221-44104
K9	Kit, filter Land Rover (neoprene/cork)	1	02-05	AE	73221-43604
K9	Kit, filter Land Rover (Duraprene®)	1	02-05	AE	73221-44104
G125	Filter Mazda/Jaguar	1	02-06	31728-PR001	75221-45104
G125	Filter Land Rover	1	02-05	31728-PW003	73221-45104
BANDS					
A128	Band (split type) JF506E/RE5F01A (reduction brake)	1	02-08	31630-PW002	75221-47504
BUSHINGS					
K13	Kit, bushing JF506E/JA5A-EL/5F31	1	02-10	AE	75221-50004
B134	Bushing pump body	1	02-10	AE	91005
A130	Bushing direct clutch housing	1	02-10	n/a	75221-50804
B135	Bushing stator support (front)	1	02-10	n/a	75221-51004
C137	Bushing drive gear (rear)	1	02-10	n/a	75221-51304
D139	Bushing low clutch housing	1	02-10	n/a	75221-51504
E140	Bushing reverse clutch hub (front)	1	02-10	n/a	75221-51804
E141	Bushing reverse clutch hub (rear)	1	02-10	n/a	75221-51804
F143	Bushing end cover	1	02-10	n/a	75221-52104
WASHERS/BEARINGS/RACES/SHIMS					
K14	Kit, thrust washer JF506E/JA5A-EL/5F31	1	02-10	AE	75221-54504
K12	Kit, thrust bearing JF506E/JA5A-EL/5F31	1	02-10	AE	75221-55104
A150	Bearing, caged 2.755" od all (reduction planetary to case)		02-10	n/a	75221-56104
A150	Bearing, caged 2.445" od Freelander (reduction planetary to case)	1	02-06	n/a	73221-56104
A151	Bearing, thrust Mazda (pinion gear to caged bearing)	1	02-06	n/a	75221-56204
A151	Bearing, thrust Jag/Freelander (pinion gear to caged brg)	1	02-10	n/a	71221-56204
A153	Race, inner all (pinion gear)	1	02-10	n/a	75221-56304
A155	Bearing, double cone w/wide cone all (drive gear (ill# A154/A155))	1	02-10	n/a	75221-56404
A158	Bearing, thrust all (direct housing to support)	1	02-10	n/a	75221-56604
A160	Bearing, thrust all (direct housing to support)	1	02-10	n/a	75221-56804
A161	Bearing, thrust Mazda (reduction sun gear to support)	1	02-10	n/a	75221-56904
A161	Bearing, thrust Jag/Freelander (reduction sg to support)	1	02-10	n/a	96221-56904
A162	Bearing, caged all (direct housing to support)	1	02-10	n/a	75221-57204
B164	Shim, 3.845" id Mazda/Jaguar (differential bearing)	sel	02-10	n/a	75221-57304
B164	Shim, 7.735" id Freelander (differential bearing)	sel	02-06	n/a	96221-57304
B166	Bearing, cup/cone Mazda/Jaguar (differential to housing)	1	02-10	n/a	75221-57504
B166	Bearing, cup/cone Freelander (differential to housing)	1	02-06	n/a	96221-57504

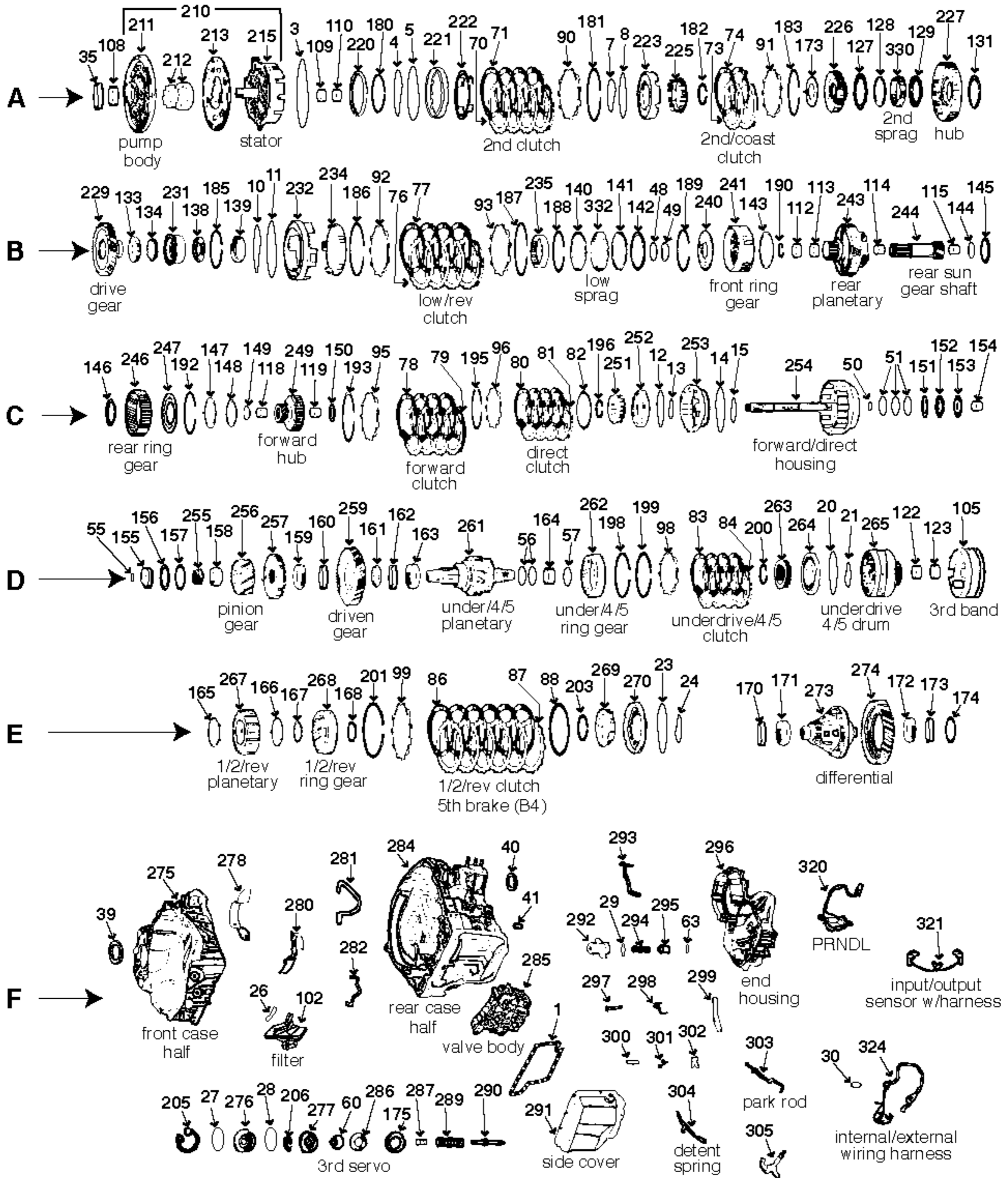
ILL	DESCRIPTION	QTY	YEAR	REFERENCE #	PART #		
WASHERS/BEARINGS/RACES/SHIMS (CONTINUED)							
B168	Bearing, cup/cone		Mazda/Jaguar (differential to case)	1	02-10	n/a	75221-57604
B168	Bearing, cup/cone		Freelander (differential to housing)	1	02-06	n/a	96221-57604
C170	Bearing, double cup/cone		all (drive gear to supt ill# 169/170/171)	1	02-10	n/a	75221-58004
C173	Washer, lock		all (nut to inner bearing)	1	02-10	n/a	75221-58503
E175	Bearing, thrust		all (support to rear planetary)	1	02-10	n/a	75221-58604
E176	Bearing, thrust		all (support to rear planetary)	1	02-10	n/a	75221-58704
E177	Bearing, thrust		all (rear ring gear to rear planetary)	1	02-10	n/a	75221-58804
E178	Race, thrust bearing		Mazda/Jaguar (rear ring gear to planetary)	1	02-10	n/a	75221-58904
E178	Race, thrust bearing		Freelander (rear ring gear to planetary)	1	02-06	n/a	73221-58904
E179	Bearing, thrust		all (rear planetary to sun gear)	1	02-10	n/a	75221-59004
E180	Bearing, thrust		all (sun gear to front planetary)	1	02-10	n/a	75221-59104
E181	Bearing, thrust		all (front planetary to sun gear)	1	02-10	n/a	75221-59204
E183	Race, thrust bearing		all (front planetary to sun gear)	1	02-10	n/a	75221-59304
E184	Race, thrust bearing		all (high clutch hub to sun gear)	1	02-10	n/a	75221-59404
E185	Bearing, thrust		all (high clutch hub to sun gear)	1	02-10	n/a	75221-58804
E186	Race, thrust bearing		all (high clutch hub to reverse housing)	1	02-10	n/a	75221-59604
E188	Bearing, thrust		all (high clutch hub to reverse housing)	1	02-10	n/a	75221-59704
F190	Bearing, thrust		all (reverse housing to end housing)	1	02-10	n/a	75221-60104
F191	Shim .982" id		all (reverse housing to end housing)	sel	02-10	n/a	75221-60204
SNAP RINGS							
A195	Snap ring .063" 3.068" od		all (bearing to driven gear)	1	02-10	AE	75221-62103
A196	Snap ring .068" 5.465" od		all (ring gear to reduction planetary)	1	02-10	AE	75221-62203
A197	Snap ring .078" 1.912" od		all (direct clutch drum seat)	1	02-10	AE	75221-62303
A197	Snap ring .078" 1.492" od		Freelander (direct clutch drum seat)	1	02-06	AE	73221-62303
A198	Snap ring .080" 4.312" od		all (direct clutch pressure plate)	1	02-10	AE	75221-62403
A199	Snap ring .041" 2.308" od		all (direct clutch retainer)	1	02-10	AE	75221-62503
A201	Snap ring .039" 3.412" od		all (sprag in direct drum)	1	02-10	AE	75221-62603
C203	Snap ring .064" 2.478" od		all (bearing in support)	1	02-10	AE	75221-62703
C204	Snap ring .049" 6.975" od		all (low sprag to case)	1	02-10	AE	75221-63003
D206	Snap ring .083"		Mazda/Jaguar (low/reverse housing in case)	1	02-10	AE	75221-63503
D206	Snap ring .088"		Freelander (low/reverse housing in case)	1	02-06	AE	96221-63503
D207	Snap ring .054" 3.356" od		all (low clutch retainer)	1	02-10	AE	75221-63703
D208	Snap ring .063" 5.694" od		all (low clutch pressure plate)	1	02-10	AE	75221-63903
E210	Snap ring .063" 5.299" od		all (sun gear in low housing)	1	02-10	AE	75221-64303
E211	Snap ring .079" 6.502" od		all (reverse clutch pressure plate)	1	02-10	AE	75221-64603
F213	Snap ring .079" 4.766" od		all (high clutch pressure plate)	1	02-10	AE	75221-64903
F214	Snap ring		all (high clutch retainer)	1	02-10	AE	75221-65203
F215	Snap ring .080" 8.125" od		all (2-4 retainer)	1	02-10	AE	75221-65503
G216	Snap ring		all (2-4 accumulator cover)	1	02-10	AE	75221-65703
G217	Snap ring .057" 2.730" od		Freelander/Mazda/Jaguar (servo cover)	1	02-10	AE	75221-65803
G218	Snap ring		all (low/reverse accumulator cover)	1	02-10	AE	75221-65903
PUMP PARTS AND PUMPS							
B223	Pump assembly		JF506E/JA5A-EL	1	02-10	AE	75221-67003
B224	Body, pump w/gears		JF506E/JA5A-EL	1	02-10	AE	75221-67503
B225	Gears, pump (inner/outer)		JF506E/JA5A-EL	1	02-10	n/a	75221-68104
B228	Stator, pump		JF506E/JA5A-EL	1	02-08	AE	75221-68503
HARD PARTS							
A230	Nut		all (reduction planetary)	1	02-10	AE	75221-72303
A231	Gear, pinion 1.540" 4 grooves 22T		Freelander	1	02-06	AE	73221-72403
A231	Gear, pinion 1.520" 3 grooves 21T		Mazda/Jaguar	1	02-10	AE	75221-72403
A233	Gear, driven transfer 2 grooves 65T		Jaguar	1	02-10	AE	71221-72803
A233	Gear, driven transfer no groove 65T		Freelander	1	02-06	AE	73221-72803
A233	Gear, driven transfer 1 groove 47T		Mazda	1	02-06	AE	75221-72803

JF506E•JA5A-EL•RE5F01A

JF506E•JA5A-EL•RE5F01A

ILL	DESCRIPTION	QTY	YEAR	REFERENCE #	PART #
HARD PARTS (CONTINUED)					
A234	Gear, ring 2 slots 5.565" od 93T	1	02-06	AE	73221-73003
A234	Gear, ring no slots 5.435" od 85T	1	02-10	AE	75221-73003
A236	Planetary, reduction w/shaft no groove	1	02-06	AE	73221-73403
A236	Planetary, reduction w/shaft 2 grooves	1	02-10	AE	75221-73403
A238	Gear, sun 1.275" no groove 32T	1	02-06	AE	73221-73803
A238	Gear, sun 2 grooves 31T	1	02-10	AE	75221-73803
A240	Retainer, w/o spring	1	02-10	AE	75221-74003
A241	Spring, accordion	1	02-10	AE	75221-74103
A242	Piston, .330" 3.980" od	1	02-10	AE	75221-74203
A244	Drum, direct 23 splines	1	02-06	AE	73221-74403
A244	Drum, direct 31 splines	1	02-10	AE	75221-74403
A245	Support, direct drum 2.875" oh	1	02-10	AE	75221-74703
B247	Differential w/spider gears	1	02-10	AE	71221-75003
B247	Differential w/spider gears	1	02-06	AE	73221-75003
B247	Differential w/spider gears	1	02-06	AE	75221-75003
B248	Gear, ring 1.245" no groove 67T	1	02-06	AE	73221-75303
B248	Gear, ring 1.245" 4 grooves 68T	1	02-10	AE	75221-75303
B250	Shaft, input 20 splines 12.500" length	1	02-10	AE	75221-75503
B250	Shaft, input 20 splines 12.500" length	1	02-06	AE	96221-75503
C252	Gear, drive transfer 1.050" id 54T	1	02-10	AE	71221-75803
C252	Gear, drive transfer .985" id 54T	1	02-06	AE	73221-75803
C252	Gear, drive transfer 1.050" id 41T	1	02-06	AE	75221-75803
C253	Support, drive transfer gear 4 notches id	1	02-10	AE	75221-76003
C256	Nut	1	02-10	AE	75221-76203
D257	Retainer, 7.312" od	1	02-10	AE	75221-76503
D258	Spring, accordion	1	02-10	AE	75221-76603
D259	Piston 1.040" oh (aluminum)	1	02-10	AE	71221-76703
D259	Piston .0905" oh (aluminum)	1	02-06	AE	73221-76703
D259	Piston .0905" oh (aluminum)	1	02-06	AE	75221-76703
D260	Housing .850" oh	1	02-10	AE	75221-76803
D260	Housing .805" oh	1	02-06	AE	96221-76803
D261	Housing, low clutch	1	02-10	AE	75221-77003
D262	Piston 1.390" oh (aluminum)	1	02-10	AE	71221-77203
D262	Piston 1.260" oh (aluminum)	1	02-06	AE	75221-77203
D264	Spring, accordion	1	02-10	AE	75221-77403
D265	Retainer, alum .300" oh 12 id notches	1	02-10	AE	75221-77503
E267	Gear, front ring 75T	1	02-10	AE	75221-77803
E268	Planetary, rear 4 pinion gears	1	02-06	AE	73221-78003
E268	Planetary, rear 5 pinion gears	1	02-10	AE	75221-78003
E269	Gear, rear sun .910" 20 splines 42T	1	02-10	AE	75221-78203
E270	Planetary, front 3 pinion gears	1	02-06	AE	73221-78503
E270	Planetary, front 4 pinion gears	1	02-10	AE	75221-78503
E271	Gear, front sun 32 outer lugs 34T	1	02-10	AE	75221-78803
E272	Hub, 32T	1	02-10	AE	75221-79003
E273	Hub, 2.815" oh 24T	1	02-10	AE	75221-79203
F275	Spring, accordion 1.075" oh 2.875" od	1	02-10	AE	75221-79403
F276	Piston .890" 4.405" od (aluminum)	1	02-10	AE	75221-79503
F278	Piston 2.115" oh (aluminum)	1	02-08	FP-03-19-480	75221-79704
F278	Piston 2.115" oh (aluminum)	1	02-10	AE	75221-79703
F279	Housing, 2.875" oh 36T (stamp steel)	1	02-10	AE	75221-80103
F280	Retainer, w/springs	1	02-10	AE	75221-80303
F281	Piston 1.545" oh 7.500" od 20 lugs	1	02-10	AE	75221-80403
F283	Housing, end	1	02-10	AE	75221-80503

ILL	DESCRIPTION	QTY	YEAR	REFERENCE #	PART #
HARD PARTS (CONTINUED)					
G290	Case, front half (square starter hole)	Jaguar (23 case bolts)	1	02-10	casting #PL042 71221-81103
G290	Case, front half (round starter hole)	Freelander (12 case bolts)	1	02-08	casting #PRO43 73221-81103
G290	Case, front half (square starter hole)	Mazda (22 case bolts)	1	02-06	casting #PM2 75221-81103
G304	Pan, side cover	Jaguar (on top vent hole 1.125" od)	1	02-10	AE 71221-82203
G304	Pan, side cover	Freelander (dipstick .750" oh middle top)	1	02-08	AE 73221-82203
G304	Pan, side cover	Mazda (no filler tube)	1	02-06	AE 75221-82203
G315	Case, rear half snap ring holds servo	Jaguar (23 case bolts no vent)	1	02-10	AE 72221-82803
G315	Case, rear half snap ring holds servo	Freelander (21 case bolts w/top vent)	1	02-08	AE 73221-82803
G315	Case, rear half snap ring holds servo	Mazda (22 case bolts w/top vent)	1	02-06	AE 75221-82803
G316	VB w/solenoids 2 recessed alum end caps	Freelander (w/2 tubes/steel solenoid brkt)	1	02-08	AE 73221-83003
G316	Valve body w/solenoids	Mazda (w/1 tube/2 cast iron solenoid brkt)	1	02-06	casting #PM SUB 75221-83003
G316	VB w/solenoids w/2 flush alum end caps	Jaguar (w/2 tubes/steel solenoid brackets)	1	02-10	AE 96221-83003
ELECTRICAL COMPONENTS					
n/i	Kit, solenoid (9 solenoids)	Mazda	1	02-06	D183420B 75221-85004
n/i	Kit, solenoid (9 solenoids)	Jaguar/Land Rover	1	02-06	122990-SL 96221-85004
G350	Harness, wiring internal w/temp sensor	Mazda/Jag/Freelander (1-8 prong 3-2 blade)	1	02-10	n/a 75221-90404
G351	Harness, wiring internal	Mazda (10 prong w/7 1 blade/2 two prong)	1	02-06	n/a 75221-90504
G351	Harness, wiring internal w/ground wire	Freelander/Jaguar (10 prong w/9 one blade)	1	02-10	n/a 96221-90504
G352	Switch, MLPS (neutral start)	Jaguar	1	02-10	n/a 71221-90704
G352	Switch, MLPS (neutral start)	Freelander	1	02-06	n/a 73221-90704
G352	Switch, MLPS (neutral start)	Mazda	1	02-06	n/a 75221-90704
G354	Harness, wiring external 20" length	Jaguar (18 wire connector)	1	02-10	n/a 71221-90904
G354	Harness, wiring external 26.500" lg	Freelander (18 wire w/1 10/8 prong square)	1	02-06	n/a 73221-90904
G354	Harness, wiring external 17.500" lg	Mazda (18 wire w/1 ten and 8 prong square)	1	02-06	n/a 75221-90904
G355	Soleniod	Mazda (lockup/TCC)(N91)	1	02-07	FP03-21-1DY 75221-87104
G355	Soleniod	Jaguar/IFreelander (lockup/TCC)(N91)	1	02-06	31941-PR010 96221-87104
G356	Soleniod	Mazda/Jag/Freelander(EPC press control)N93	1	02-07	FP01-21-1DY 75221-87504
G357	Soleniod	Mazda (high clutch control)(N90)	1	02-07	FP03-21-1DO 75221-87704
G357	Soleniod	Mazda (2/4 brake)(N90)	1	02-07	FP03-21-1DO 75221-87704
G357	Soleniod	Jag/Freelander (low clutch timing)(N90)	1	02-06	31941-PR009 96221-89004
G358	Soleniod	Freelander/Jaguar (2/4 brake duty)(N283)	1	02-10	D183450A 96221-87704
G359	Soleniod	Mazda (neutral shift)(N282)	1	02-07	31941-PM005 75221-88004
G359	Soleniod	Jag/IFreelander (2/4 brake timing)(N282)	1	02-06	31941-PM002 96221-89304
G360	Soleniod	Mazda/Jag/Freelander(reduction timing)N281	1	02-07	31941-PM002 75221-89504
G361	Soleniod	Mazda/Jaguar/Freelander (B-shift)(N89)	1	02-07	31941-PR000 75221-88304
G362	Soleniod	Mazda (C shift)(N92)	1	02-07	31941-PM003 75221-88904
G362	Soleniod	Jaguar/Freelander (C-shift)(N92)	1	02-06	31941-PR005 96221-88904
G364	Soleniod	Mazda (A shift)(N88)	1	02-07	FP01-21-1DO 75221-88604
G364	Soleniod	Jaguar/Freelander (A-shift)(N88)	1	02-06	31941-PM004 96221-88604
n/i	Sensor, speed	all (turbine)	1	02-10	FP01-21550 75221-92304
n/i	Sensor, speed	all (input)	1	02-10	FP01-21550 75221-92304
n/i	Sensor, speed	all (output)	1	02-10	FP01-21550 75221-92304
SPRAGS					
A370	Sprag, reduction .632" (28 elements)	all	1	02-10	n/a 75221-94004
A370	Sprag, reduction .632" (28 elements)	all	1	02-10	AE 75221-94003
C372	Sprag, low .515" (18 roller)	all	1	02-10	n/a 75221-94504
C372	Sprag, low .515" (18 roller)	all	1	02-10	AE 75221-94503
BONDED PISTONS					
F375	Piston, balance bonded rubber	JF506E (high clutch)	1	02-06	B81899 75221-97104
NOTES					



AW55-50SN/AW55-51 SN/AF23/AF33/RE5F22A

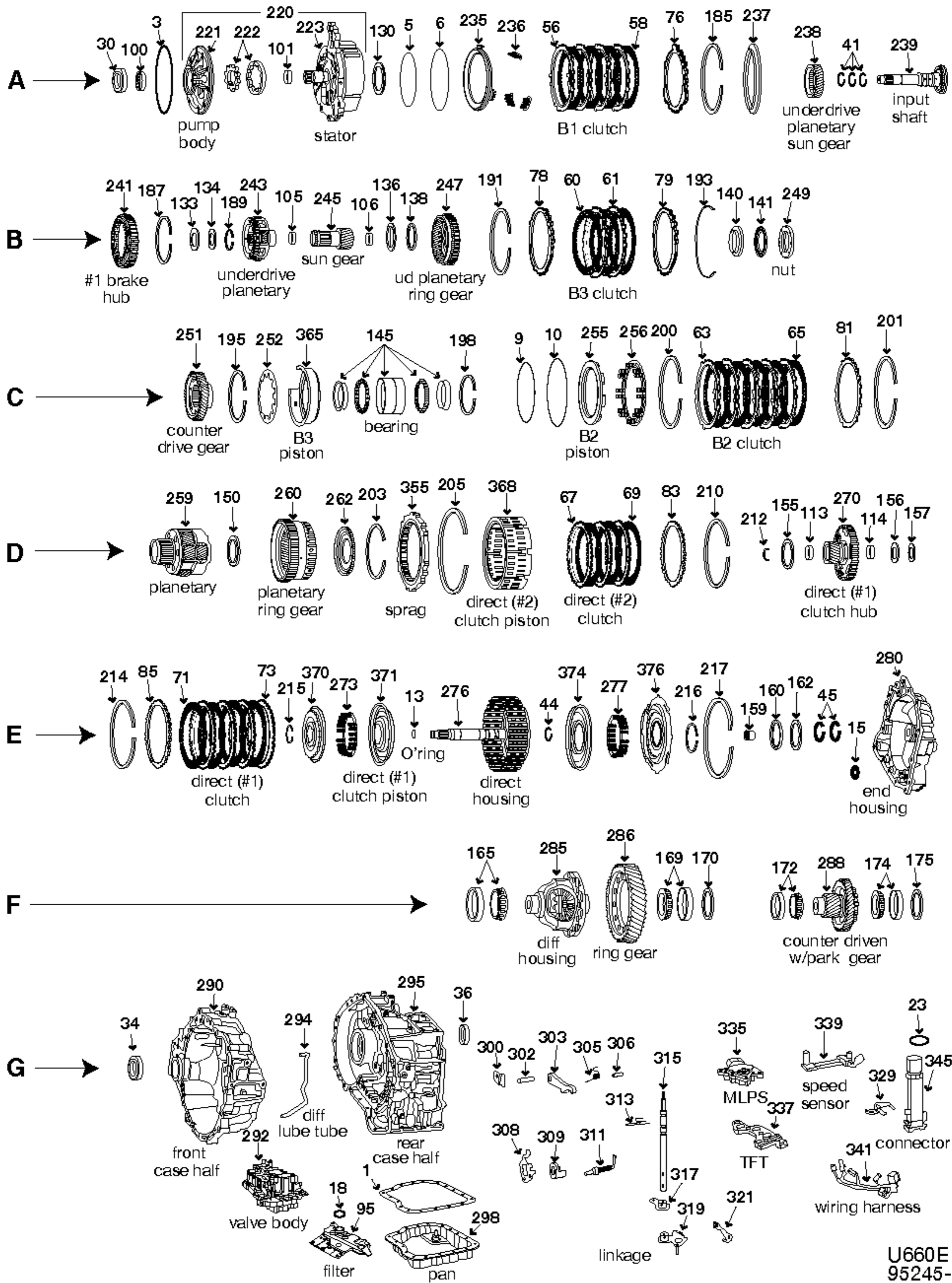
97249-

ILL	DESCRIPTION		QTY	YEAR	REFERENCE #	PART #
TECHNICAL MANUALS						
K53	Tech manual AW55-50SN	preliminary information	1	01-09	AW55-50SN	010-476
REBUILDER KITS						
K4	Master deluxe rebuild kit	AW55-50SN/AF23/33-5/RE5F22A	1	01-04	AE	97249-10104
K4	Master deluxe rebuild kit	AW55-50SN/AF23/33-5/RE5F22A	1	05-09	AE	97249-10114
K5	Master kit w/steels	AW55-50SN/AF23/33-5/RE5F22A	1	01-04	AE	97249-11104
K5	Master kit w/steels	AW55-50SN/AF23/33-5/RE5F22A	1	05-09	AE	97249-11114
K6	Master kit w/o steels	AW55-50SN/AF23/33-5/RE5F22A	1	01-04	AE	97249-12104
K6	Master kit w/o steels	AW55-50SN/AF23/33-5/RE5F22A	1	05-09	AE	97249-12114
K7	O/H gasket set w/seals-rings	AW55-50SN/AF23/33-5/RE5F22A	1	01-04	FDB-2455	97249-13104
K13	Kit, valve body gaskets	AW55-50SN/AF23/33-5/RE5F22A	1	01-09	FDB-4779	97249-16004
VALVE BODY KITS						
K15	Shift Kit® fix bang dr engage/TCC slip	4-3/3-2 clunk/2-3/3-4 loose/kick down	1	01-08	n/a	97249-17009
GASKETS AND RUBBER COMPONENTS						
F1	Gasket, valve body cover (Duraprene®)	AW50-50SN/AF33-5/AF23-5	1	01-09	FDB-11386	97249-19104
A3	O'ring	pump to case	1	01-09	90348756	97248-21104
F30	O'ring	case connector	1	01-09	9495014-4	13822
n/i	O'ring	Volvo AW50-50SN (speed sensors)	2	01-09	94385669	93234-23804
n/i	O'ring	Saturn AF23-5 (speed sensors)	2	02-04	24220733	13767
n/i	O'ring	AW50-50SN/AF33-5/AF23-5 (filler tube)	1	01-09	9495026-8	97249-23904
n/i	O'ring	Volvo (seal filler tube)	1	01-09	1397983-6	97249-24004
n/i	O'ring	Volvo (axle shaft seals)	2	01-09	8632036-3	13989
n/i	O'ring	Volvo (seal axle splines)	2	01-09	FDB-33225	97249-24204
n/i	Seal	Saturn	2	02-04	FDB-32748	23529
METAL CLAD SEALS						
A35	Seal, metal clad	front	1	01-09	90348749	46200
F39	Seal, metal clad	Volvo right side axle	1	01-09	9495018-5	97249-30204
F39	Seal, metal clad	Saturn AWD right axle seal	1	02-03	FDB-37004	90249-30404
F40	Seal, metal clad	Opel left/right, Saturn left 2WD axle side	1/2	02-04	90342143	51201
F40	Seal, metal clad	Volvo left, Nissan left/right side axle	1/2	01-09	6843112-1	97248-30104
F41	Seal, metal clad 12x22x7mm	manual lever shaft	1	01-09	3520746-3	46202
SEALING RINGS						
K10	Kit, sealing ring	AW50-50SN/AF33-5/AF23-5	1	01-09	FDB-3484	97249-31504
C50	Ring, sealing	forward/direct housing to end cover	1	01-09	90348782	97249-33204
C51	Ring, sealing	input housing to end cover	3	01-09	90512224	97249-33304
D55	Ring, sealing	planetary lube ring	1	01-09	94844768	97249-33504
D56	Ring, sealing	planetary shaft to 4/5 housing (front)	2	01-09	FDB-21840	97249-33704
D57	Ring, sealing	end housing to planetary shaft (rear)	1	01-09	FDB-21839	97249-33904
F63	Ring, sealing	forward accumulator	2	01-09	9143582-6	97249-34204
CLUTCH PLATES						
A70	Steel .071" 5.538" id 10T	2nd clutch (B2)	4	01-09	110707B-180	97248-37704
A70	Steel .098" 5.661" id 10T	2nd clutch (B2)	2/3	01-09	24224385	97248-37604
A70	Steel .158" 3.582" id 8T	2nd clutch (B2)	2	01-09	MGW-79170	97249-37904
A70	Steel .142" 5.538" id 10T	2nd clutch (B2)	1	01-09	MGW-79038	97249-37504
A71	Friction .067" 6.302" od 40T	2nd clutch (B2)	4	01-04	24220537	97248-35704
A71	Friction .075" 6.302" od 40T	2nd clutch (B2)	4	05-09	110704A-190	97248-35804
A73	Steel .071" 3.582" id 8T	coast clutch (B1)	3	01-09	24220531	97248-38104
A74	Friction .067" 4.260" od 34T	coast clutch (B1)	3	01-04	24220532	97248-36304
A74	Friction .068" 4.255" od 34T	coast clutch (B1)	3	05-09	110700B-175	97249-35404
B76	Steel .071" 5.657" id 13T	low/reverse clutch (B3)	3/5	01-09	24220500	97249-38204
B77	Friction .067" 6.302" od 33T	low/reverse clutch (B3)	4/5	01-04	90348808	97248-35604
B77	Friction .067" 6.302" od 33T	low/reverse clutch (B3)	5	05-09	90348796	97248-35614
C78	Friction .068" 5.375" od 49T	forward clutch (C1)	4	01-09	24220650	97249-36204
C79	Steel .077" 4.491" id 12T	forward clutch (C1)	4	01-09	90542937	97248-38804

AW55-50SN•AF33-5•AF23-5• RE5F22A•AW235

AW55-50SN•AF33-5•AF23-5• RE5F22A•AW235

ILL	DESCRIPTION	QTY	YEAR	REFERENCE #	PART #
CLUTCH PLATES (CONTINUED)					
C80	Friction .068" 4.255" od 34T direct clutch (C2)	4	01-04	110700B-175	97249-35404
C80	Friction .059" 4.255" od 34T direct clutch (C2)	4	05-09	24228586	97249-35414
C81	Steel .071" 3.582" id 12T direct clutch (C2)	4	01-09	90348774	97248-39004
D83	Friction .067" 4.482" od 34T underdrive/4th/5th clutch (C3)	4	01-04	110700A-170	97248-36404
D83	Friction .059" 4.482" od 34T underdrive/4th/5th clutch (C3)	4	05-09	110700A-150	97249-37004
D84	Steel .071" 3.582" id 18T underdrive/4th/5th clutch (C3)	4	01-09	110701A-180	97248-39104
E86	Friction .068" 5.551" od 47T 5th brake (B4)(1st/2nd/reverse clutch)	6	01-09	24220563	97249-37204
E87	Steel .071" 4.898" id 12T 5th brake (B4)(1st/2nd/reverse clutch)	6	01-09	24220562	97249-39304
PRESSURE PLATES					
A90	Pressure plate .150" 5.540" id 10T 2nd clutch	1	01-09	AE	97249-41103
A91	Pressure plate .150" 4.491" id 12T 2nd coast clutch	1	01-09	AE	97248-41703
B92	Pressure plate .093" 5.655" id 13T low/reverse clutch (apply)	1	01-09	AE	97249-41403
B92	Pressure plate 5.660" id 13T low/reverse clutch (apply)	0	01-09	AE	97249-41503
B93	Pressure plate 4.890" id 12T low/reverse clutch (backing)	0	01-09	AE	97249-41803
C95	Pressure plate forward clutch	1	01-09	AE	97248-41503
C95	Pressure plate .205" 12T forward clutch	1	01-09	AE	97249-42103
C96	Pressure plate direct clutch	1	01-09	AE	97248-41103
D98	Pressure plate 3.590" id 18T 4th/5th clutch	0	01-09	AE	97249-43003
FILTERS					
F102	Filter AW55-50SN (non serviceable)	1	01-09	24220578	97249-45004
BANDS					
D105	Band, double wrap AW55-50SN (3rd gear)	1	01-09	APC-159940	97249-47604
BUSHINGS					
K13	Kit, bushing AW50-50SN/AF33-5/AF23-5	1	01-09	n/a	97249-50104
A108	Bushing AW50-50SN/AF33-5/AF23-5 (pump body)	1	01-09	n/a	46001
PUMP PARTS AND PUMPS					
A210	Pump, assembly AW50-50SN/AF33-5/AF23-5	1	01-09	AE	97249-67003
A211	Pump, body w/gears AW50-50SN/AF33-5/AF23-5	1	01-09	AE	97249-68003
A213	Pump, plate AW50-50SN/AF33-5/AF23-5	1	01-09	AE	97249-68903
A215	Pump, stator AW50-50SN/AF33-5/AF23-5	1	01-09	AE	97249-70003
HARD PARTS					
B229	Gear, drive transfer AW50-50SN/AF33-5/AF23-5	1	01-09	AE	97249-73603
B241	Gear, rear planetary ring (front) AW50-50SN/AF33-5/AF23-5	1	01-09	AE	97249-74903
B243	Planetary, rear AW50-50SN/AF33-5/AF23-5	1	01-09	AE	97249-75203
B244	Gear, rear sun AW50-50SN/AF33-5/AF23-5	1	01-09	AE	97249-75503
C246	Rear, planetary ring gear AW50-50SN/AF33-5/AF23-5	1	01-09	AE	97249-75803
C254	Housing, forward/direct w/shaft .844"od 2WD/non turbo	1	01-09	AE	97249-77403
C254	Housing, forward/direct w/shaft .870"od AWD/turbo	1	01-09	AE	97249-77503
D259	Gear, driven transfer AW50-50SN/AF33-5/AF23-5	1	01-09	AE	97249-78103
D261	Planetary, 4th/5th AW50-50SN/AF33-5/AF23-5	1	01-09	AE	97249-78403
D262	Gear, 4th/5th/underdrive ring AW50-50SN/AF33-5/AF23-5	1	01-09	AE	97249-78603
D265	Drum, 4th/5th/underdrive AW50-50SN/AF33-5/AF23-5	1	01-09	AE	97249-79303
E267	Planetary, 1st/2nd/reverse AW50-50SN/AF33-5/AF23-5	1	01-09	AE	97249-79603
E268	Gear, 1st/2nd/reverse ring AW50-50SN/AF33-5/AF23-5	1	01-09	AE	97249-79903
E273	Differential, w/spider gears w/o ring gear AW50-50SN/AF33-5/AF23-5	1	01-09	AE	97249-80603
E274	Gear, ring and pinion AW50-50SN/AF33-5/AF23-5	1	01-09	AE	97249-81003
ELECTRICAL COMPONENTS					
F320	Switch, PRNDL AW55-50SN	1	01-09	n/a	97249-85004
F320	Switch, PRNDL AW55-51SN	1	01-09	n/a	97249-85104
F321	Sensor AW55-50SN (input/output w/harness)	1	01-09	n/a	97249-85404
F324	Harness, internal/external wiring AW55-50SN	1	01-09	n/a	97249-85804
F324	Harness, internal/external wiring AW55-51SN	1	01-09	n/a	97249-86004
n/i	Sensor AW55-51SN (input/output w/o harness)	2	01-09	93191689	97249-91204

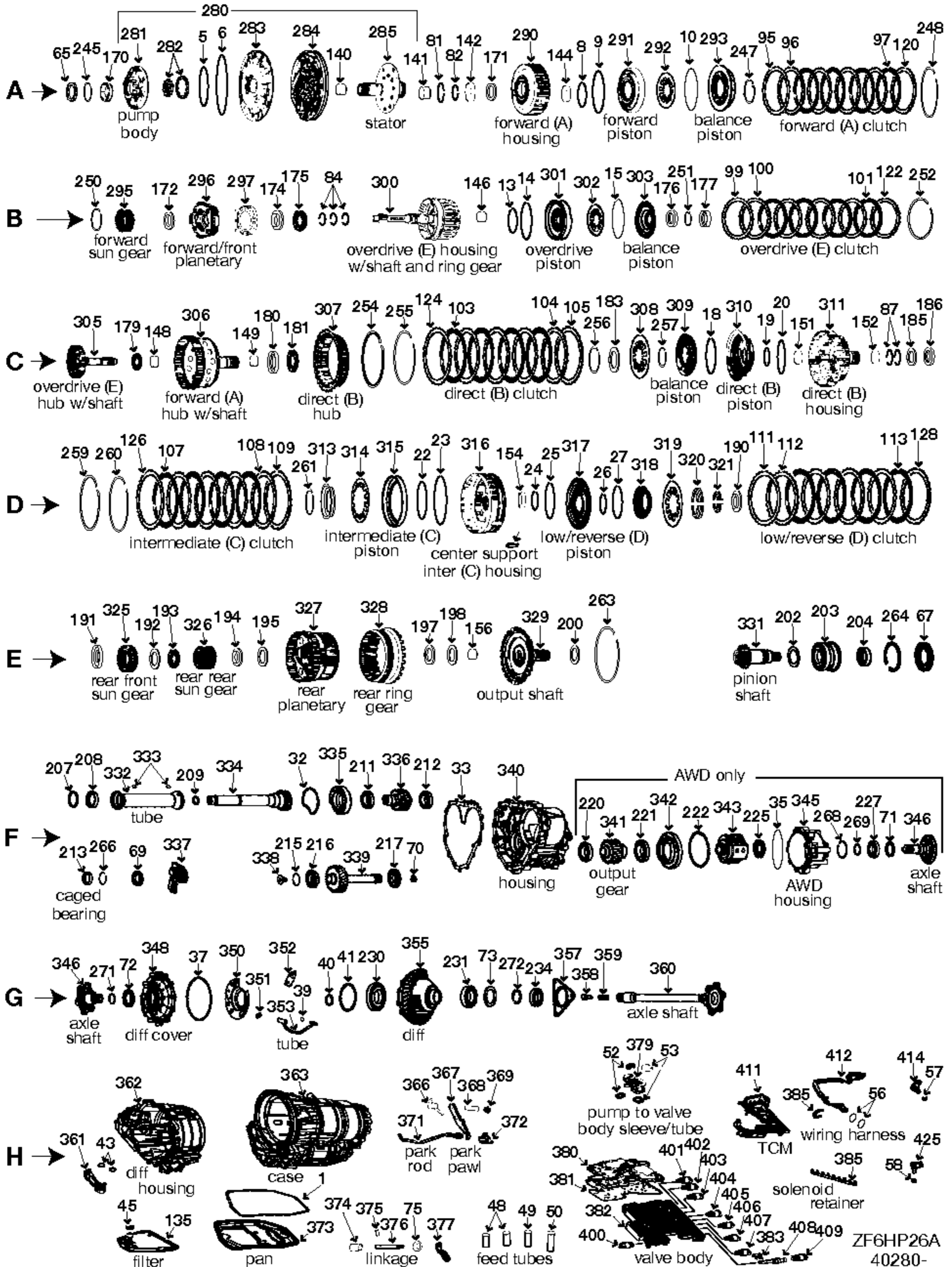


U660E
95245-

ILL	DESCRIPTION	QTY	YEAR	REFERENCE #	PART #
TECHNICAL MANUALS					
K53	Tech manual-covers U660E dis/assembly diagnosis & troubleshooting	1	07-11	U660ETM	010-486
REBUILDER KITS					
K5	Master kit w/steels U660E (w/pistons)	1	07-11	APC-199901	95245-11004
K5	Master kit w/o steels U660E (w/o pistons)	1	07-11	APC-199901X	95245-11104
K6	Master kit w/steels U660E (w/pistons)	1	07-11	APC-199901LS	95245-12004
K6	Master kit w/o steels U660E (w/o pistons)	1	07-11	APC-199901XLS	95245-12104
K7	O/H gasket set w/seals-rings U660E (w/pistons)	1	07-11	APC-199800	95245-13004
K7	O/H gasket set w/seals-rings U660E (w/o pistons)	1	07-11	FDB-DP2551	95245-13104
VALVE BODY KITS					
K15	Kit, valve body repair U660E	1	07-11	n/a	95245-17009
GASKETS AND RUBBER COMPONENTS					
G1	Gasket, pan U660E	1	07-11	n/a	95245-19004
A3	O'ring pump body	1	07-11	n/a	95245-21004
E13	O'ring direct housing shaft	1	07-11	n/a	95245-22104
E15	O'ring end housing	1	07-11	n/a	95245-22504
METAL CLAD SEALS					
A30	Seal, metal clad pump	1	07-11	FDB-B37156	95245-30104
G34	Seal, metal clad right axle	1	07-11	FDB-29385	95245-30204
G36	Seal, metal clad left axle	1	07-11	FDB-29263	95245-30204
SEALING RINGS					
K10	Kit, sealing ring U660E	1	07-11	FDB-3539	95245-31504
A41	Sealing ring input shaft	3	07-11	n/a	95245-33104
E44	Sealing ring direct clutch housing	1	07-11	n/a	95245-33204
E45	Sealing ring end housing	2	07-11	n/a	95245-33504
CLUTCH PLATES					
A56	Steel .073" 6.045" id 11T 2/6 brake clutch (B1)	4	07-11	APC-199705-185	95245-37604
A58	Friction .073" 6.982" od 40T 2/6 brake clutch (B1)	4	07-11	APC-199704-185	95245-35204
B60	Friction .073" 6.982" od 40T 3/5/reverse brake clutch (B3)	3	07-11	APC-199704-185	95245-35204
B61	Steel .087" 6.045" id 11T 3/5/reverse brake clutch (B3)	2	07-11	APC-199705-220	95245-37804
C63	Steel .063" 6.430" id 16T 1/reverse brake clutch (B2)	5	07-11	APC-199707-160	95245-37904
C65	Friction .060" 7.242" od 40T 1/reverse brake clutch (B2)	5	07-11	APC-199706-150	95245-35504
D67	Steel .085" 5.674" id 40T 4/5/6 drive clutch (C2)	3	07-11	APC-199701-215	95245-38004
D69	Friction .070" 6.552" od 40T 4/5/6 drive clutch (C2)	4	07-11	APC-199700-180	95245-35604
E71	Friction .070" 6.552" od 40T 1/2/3/4 drive clutch (C1)	4	07-11	APC199700-180	95245-35604
E73	Steel .071" 5.674" id 40T 1/2/3/4 drive clutch (C1)	4	07-11	APC199701-180	95245-38104
PRESSURE PLATES					
A76	Pressure plate 2/6 clutch brake (B1)	1	07-11	AE	95245-41203
B78	Pressure plate 3/5/reverse brake clutch (B3)	1	07-11	AE	95245-41503
B79	Pressure plate (apply) 3/5/reverse brake clutch (B3)	1	07-11	Ae	95245-41703
C81	Pressure plate 1/reverse brake clutch (B2)	1	07-11	AE	95245-41903
D83	Pressure plate 4/5/6 drive clutch (C2)	1	07-11	AE	95245-42403
E85	Pressure plate 1/2/3/4 drive clutch (C1)	1	07-11	AE	95245-42703
FILTERS					
K9	Kit, filter U660E	1	07-11	AE	95245-44004
G95	Filter, main U660E	1	07-11	35330-33050	95245-45004
BUSHINGS					
K13	Kit, bushing U660E	1	07-11	AE	95245-50104
A100	Bushing (dimpled) pump body	1	07-11	n/a	95245-50604
A101	Bushing pump stator (front)	1	07-11	n/a	95245-50804
B105	Bushing sun gear (front)	1	07-11	n/a	95245-51004
B106	Bushing sun gear (rear)	1	07-11	n/a	95245-51004
D113	Bushing direct clutch hub (front)	1	07-11	n/a	95245-51204
D114	Bushing direct clutch hub (rear)	1	07-11	n/a	95245-51204

ILL	DESCRIPTION	QTY	YEAR	REFERENCE #	PART #	
WASHERS/BEARINGS/RACES/SHIMS						
K13	Kit, thrust bearing	U660E	1	07-11	AE	95245-55104
A130	Bearing, thrust	pump support to input shaft	1	07-11	n/a	95245-56104
B133	Bearing, thrust	underdrive planetary to input shaft	1	07-11	n/a	95245-56304
B134	Race, thrust	underdrive planetary to input shaft	1	07-11	n/a	95245-56404
B136	Bearing, thrust	underdrive planetary to hub	1	07-11	n/a	95245-56604
B138	Race, thrust	underdrive planetary to hub	1	07-11	n/a	95245-56704
B140	Race, thrust	hub to drive gear	1	07-11	n/a	95245-56904
B141	Bearing, thrust	hub to drive gear	1	07-11	n/a	95245-57004
C145	Bearing, support	U660E (w/both bearings)	1	07-11	n/a	95245-57504
D150	Bearing, thrust	rear planetary to hub	1	07-11	n/a	95245-57804
E155	Bearing, thrust	hub to direct clutch hub	1	07-11	n/a	95245-59004
E156	Bearing, thrust	direct clutch hub to direct housing	1	07-11	n/a	95245-59204
E157	Race, thrust	direct clutch hub to direct housing	1	07-11	n/a	95245-59304
E159	Bearing, cage	end housing to direct housing	1	07-11	n/a	95245-59504
E160	Bearing, thrust	end housing to direct housing	1	07-11	n/a	95245-59704
E162	Race, thrust	end housing to direct housing	1	07-11	n/a	95245-59804
F165	Bearing, cup/cone	differential (right side)	1	07-11	n/a	95245-60104
F169	Bearing, cup/cone	differential (left side)	1	07-11	n/a	95245-60104
F170	Washer, shim	differential (left side)	sel	07-11	n/a	95245-60504
F172	Bearing, cup/cone	counter driven gear (front)	1	07-11	n/a	95245-60704
F174	Bearing, cup/cone	counter driven gear (rear)	1	07-11	n/a	95245-60704
F175	Washer, shim	counter driven gear (rear)	1	07-11	n/a	95245-61004
SNAP RINGS						
A185	Snap ring	2/6 brake clutch pressure plate (B1)	1	07-11	AE	95245-62203
B187	Snap ring	underdrive ring gear	1	07-11	AE	95245-62503
B189	Snap ring	sun gear to planetary	1	07-11	AE	95245-62703
B191	Snap ring	3/5/reverse clutch pressure plate (B3)	1	07-11	AE	95245-63003
B193	Snap ring	3/5/reverse clutch apply plate (B3)	1	07-11	AE	95245-63303
C195	Snap ring	3/5/reverse clutch retainer (B3)	1	07-11	AE	95245-63503
C198	Snap ring	bearing retainer in housing	1	07-11	AE	95245-63803
C200	Snap ring	1/reverse brake retainer (B2)	1	07-11	AE	95245-64003
C201	Snap ring	1/reverse brake pressure plate (B2)	1	07-11	AE	95245-64203
C203	Snap ring	rear hub in ring gear	1	07-10	AE	95245-64503
D205	Snap ring	outer sprag in case	1	07-11	AE	95245-64703
D210	Snap ring	4/5/6 clutch pressure plate (C2)	1	07-11	AE	95245-65403
D212	Snap ring (c-ring)	U660E	1	07-11	AE	95245-65603
E214	Snap ring	direct clutch pressure plate (C1)	1	07-11	AE	95245-65703
E215	Snap ring	direct clutch retainer (C1)	1	07-11	AE	95245-65803
E216	Snap ring	4/5/6 clutch retainer (C2)	1	07-11	AE	95245-64903
E217	Snap ring	4/5/6 clutch housing (C2)	1	07-11	AE	95245-65203
PUMP PARTS AND PUMPS						
A220	Pump assembly	U660E	1	07-11	AE	95245-67003
A221	Body, pump w/gears	U660E	1	07-11	AE	95245-67503
A222	Gears, inner/outer pump	U660E	1	07-11	n/a	95245-68104
A223	Stator, pump	U660E	1	07-11	AE	95245-68503
HARD PARTS						
A235	Piston	2/6 brake clutch (B1)	1	07-11	AE	95245-72303
A236	Springs, return	2/6 brake clutch (B1)	3	07-11	AE	95245-72403
A238	Gear, sun	underdrive planetary	1	07-11	AE	95245-72503
A239	Shaft, input	U660E	1	07-11	AE	95245-72803
B241	Gear, ring	underdrive planetary	1	07-11	AE	95245-73003
B243	Planetary, underdrive	U660E	1	07-11	AE	95245-73203
B245	Gear, sun	U660E	1	07-11	AE	95245-73503

ILL	DESCRIPTION	QTY	YEAR	REFERENCE #	PART #	
HARD PARTS (CONTINUED)						
B247	Hub, 3/5/reverse brake clutch	U660E	1	07-11	AE	95245-73703
C251	Gear, counter drive	U660E	1	07-11	AE	95245-74003
C252	Spring, diaphragm	3/5/reverse brake clutch (B3)	1	07-11	AE	95245-74203
C255	Piston	1/reverse brake clutch (B2)	1	07-11	AE	95245-74303
C256	Retainer, w/springs	1/reverse brake clutch (B2)	1	07-11	AE	95245-74503
D259	Planetary	U660E	1	07-11	AE	95245-74703
D260	Gear, ring	U660E	1	07-11	AE	95245-74903
D262	Hub, planetary ring gear	U660E	1	07-11	AE	95245-75103
E270	Hub, w/sun gear	1/2/3/4 drive clutch (C1)	1	07-11	AE	95245-75503
E273	Retainer, w/springs	1/2/3/4 drive clutch (C1)	1	07-11	AE	95245-75903
E276	Housing, w/shaft	1/2/3/4 drive clutch (C1)	1	07-11	AE	95245-76203
E277	Retainer, w/springs	U660E	1	07-11	AE	95245-75403
E280	Housing, end	U660E	1	07-11	AE	95245-76503
F285	Differential w/spider gears	U660E	1	07-11	AE	95245-77003
F286	Gear, final drive ring	U660E	1	07-11	AE	95245-77403
F288	Gear, counter driven (w/park gear)	U660E	1	07-11	AE	95245-77903
G290	Housing, front half	U660E	1	07-11	AE	95245-78503
G292	Valve body w/solenoids	U660E	1	07-11	AE	95245-79003
G295	Housing, main half	U660E	1	07-11	AE	95245-79403
G298	Pan, bottom	U660E	1	07-11	AE	95245-79803
G300	Bracket, park pawl	U660E	1	07-11	AE	95245-80103
G302	Pin, park pawl	U660E	1	07-11	AE	95245-80203
G303	Pawl, park	U660E	1	07-11	AE	95245-80303
G305	Spring, park pawl (return)	U660E	1	07-11	AE	95245-80403
G306	Pin, park pawl	U660E	1	07-11	AE	95245-80503
G308	Bracket, park rod	U660E	1	07-11	AE	95245-80603
G309	Guide, park rod	U660E	1	07-11	AE	95245-80703
G311	Rod, park	U660E	1	07-11	AE	95245-80803
G313	Clip, shift shaft	U660E	1	07-11	AE	95245-80903
G315	Shaft, shift	U660E	1	07-11	AE	95245-81003
G317	Lever, shift	U660E	1	07-11	AE	95245-81103
G319	Cone, rooster	U660E	1	07-11	AE	95245-81203
G321	Roller, detent	U660E	1	07-11	AE	95245-81303
ELECTRICAL COMPONENTS						
G335	Switch, MLPS (neutral start)	U660E	1	07-11	n/a	95245-86104
G337	Sensor, TFT	U660E	1	07-11	n/a	95245-86304
G339	Sensor, speed	U660E	1	07-11	n/a	95245-86504
G341	Harness, wiring (internal)	U660E	1	07-11	n/a	95245-87004
G345	Connector, case	U660E	1	07-11	n/a	95245-86704
n/i	Kit, solenoids	U660E	1	07-11	n/a	95245-85004
SPRAGS						
D355	Sprag assembly	U660E	1	07-11	n/a	95245-94004
D355	Sprag assembly	U660E	1	07-11	AE	95245-94003
BONDED PISTONS						
C365	Piston, bonded rubber	3/5/reverse brake clutch(B3)	1	07-11	n/a	95245-96304
D368	Piston, bonded rubber	4/5/6 brake clutch (2)	1	07-11	n/a	95245-96504
E370	Piston, bonded rubber (balance)	1/2/3/4 drive clutch (1)	1	07-11	n/a	95245-96704
D371	Piston, bonded rubber	direct clutch piston (1)	1	07-11	AE	95245-96904
E374	Retainer, (balance piston)	U660E	1	07-11	AE	95245-97104
E376	Piston, bonded rubber	U660E	1	07-11	n/a	95245-97304
NOTES						



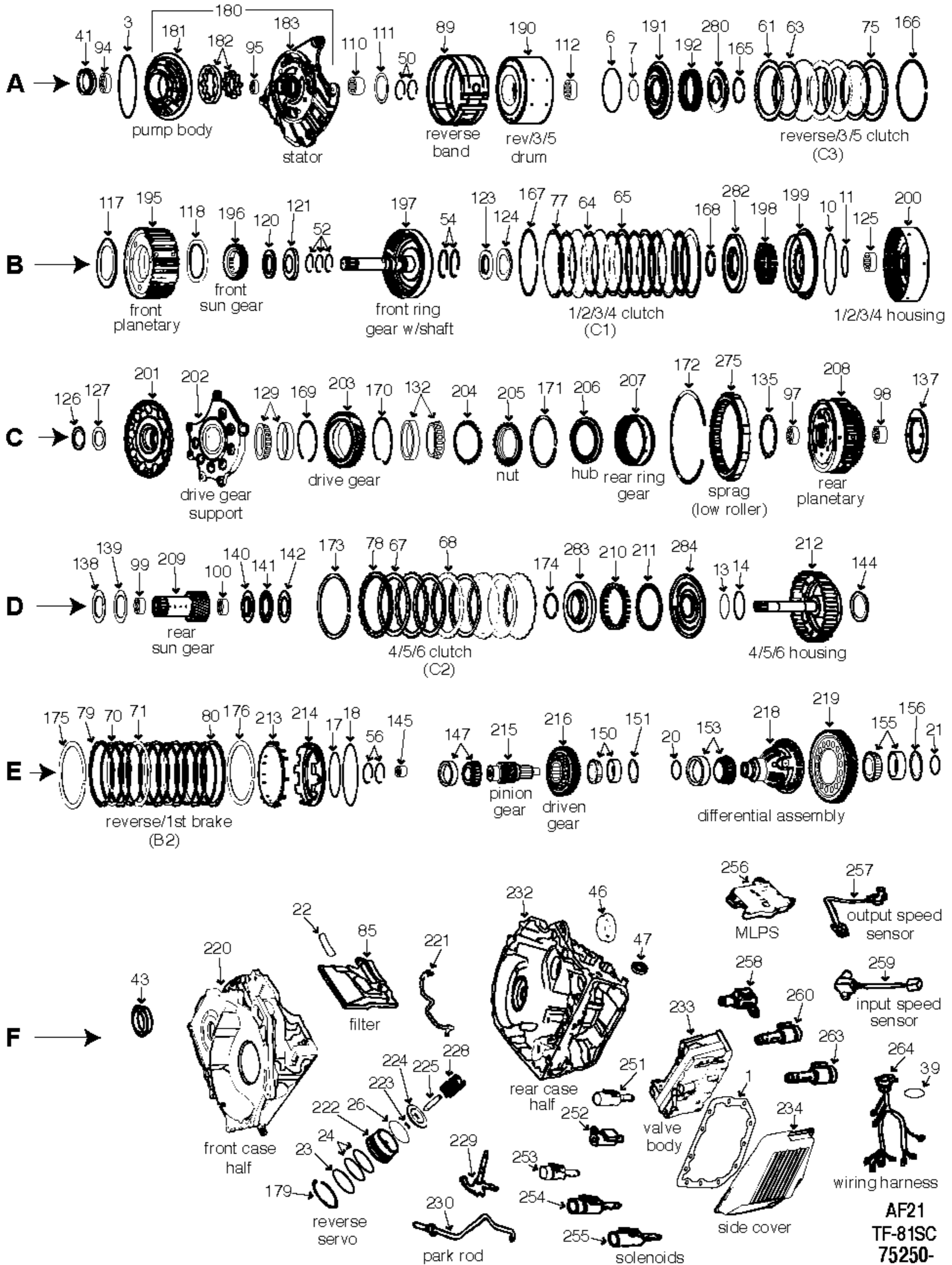
ILL	DESCRIPTION		QTY	YEAR	REFERENCE #	PART #
TECHNICAL MANUALS						
K53	Tech manual 6R60/ZF6HP26 dis/assembly	diagnosis & troubleshooting	1	02-11	ZF6HP26TM	010-232
REBUILDER KITS						
K5	Master kit w/steels	w/o bonded separator plate	1	02-11	AE	45158-11104
K6	Master kit w/o steels	w/o bonded separator plate	1	02-11	AE	45158-12104
K7	O/H gasket set w/seals-rings	w/o bonded separator plate	1	02-11	AE	45158-13104
GASKETS AND RUBBER COMPONENTS						
H1	Gasket, oil pan (w/molded rubber edge)	ZF6HP26A	1	02-11	FDB-B33324	15158-20104
A5	O'ring	pump body	1	02-11	MGW-86154	15158-21004
A6	O'ring	pump plate	1	02-11	6L2Z-7A248-CA	15158-21204
METAL CLAD SEALS						
A65	Seal, metal clad	front	1	02-11	6L2Z-7A248-AA	15158-30004
E67	Seal, metal clad	pinion shaft	1	02-11	n/a	40280-30304
F69	Seal, metal clad	retainer	1	02-11	n/a	40280-30404
F70	Seal, metal clad	transfer shaft	1	02-11	n/a	40280-30504
F71	Seal, metal clad	AWD housing	1	02-11	n/a	40280-30604
G72	Seal, metal clad	differential cover	1	02-11	n/a	40280-30704
G73	Seal, metal clad	axle shaft	1	02-11	n/a	40280-30804
SEALING RINGS						
K10	Kit, sealing ring	ZF6HP26A	1	02-11	n/a	15158-31504
A81	Ring, sealing (metal)	pump stator	1	02-11	n/a	15158-32004
A82	Ring, sealing (metal)	pump stator	1	02-11	n/a	15158-32304
B84	Ring, sealing (plastic)	turbine shaft (overdrive housing)	3	02-11	n/a	15158-33204
C87	Ring, sealing (teflon)	direct clutch housing	1	02-11	n/a	15158-33504
CLUTCH PLATES						
A95	Steel .035" 6.450" id 30T (waved plate)	forward clutch (A)	1	02-11	n/a	15158-37704
A96	Steel .118" 6.450" id 30T	forward clutch (A)	4/5	02-11	1068-377-020	15158-37504
A96	Steel .105" 6.450" id 30T	forward clutch (A)	sel	02-11	1068-377-023	15158-38304
A96	Steel .130" 6.450" id 30T	forward clutch (A)	sel	02-11	1068-377-024	15158-38404
A96	Steel .142" 6.450" id 30T	forward clutch (A)	sel	02-11	1068-377-025	15158-38504
A97	Friction .063" 7.370" od 30T	forward clutch (A)	4/5	02-11	1068-277-004	15158-35204
B99	Steel .030" 4.200" id 24T (waved plate)	overdrive clutch (E)	1	02-11	n/a	15158-37804
B100	Steel .118" 4.200" id 24T	overdrive clutch (E)	6/7	02-11	1068-371-030	15158-38004
B100	Steel .095" 4.200" id 24T	overdrive clutch (E) (some models)	6/7	02-11	APC-183703-240	15158-38104
B101	Friction .063" 5.150" od 30T	overdrive clutch (E)	6	02-11	n/a	15158-35604
B101	Friction .079" 5.150" od 30T	overdrive clutch (E)	sel	02-11	APC-183702-200	15158-35704
C103	Friction .087" 7.370" od 30T	direct clutch (B)	4/5	02-11	1068-277-002	15158-35304
C104	Steel .082" 6.450" id 30T	direct clutch (B)	4/5	02-11	1068-377-019	15158-37604
C105	Steel .035" 6.450" id 30T (waved plate)	direct clutch (B)	1	02-11	n/a	15158-37704
D107	Friction .087" 7.370" od 30T	intermediate clutch (C)	4/5	02-11	1068-277-002	15158-35304
D108	Steel .118" 6.450" id 30T	intermediate clutch (C)	4/5	02-11	1068-377-020	15158-37504
D109	Steel .035" 6.450" id 30T (waved plate)	intermediate clutch (C)	1	02-11	n/a	15158-37704
D111	Steel .040" 6.450" id 30T (waved plate)	low/reverse clutch (D)	1	02-11	n/a	15158-37904
D112	Steel .082" 6.450" id 30T	low/reverse clutch (D)	6/7	02-11	1068-377-019	15158-37604
D112	Steel .095" 6.450" id 30T	low/reverse clutch (D)	sel	02-11	1068-377-022	15158-38204
D113	Friction .063" 7.370" od 30T	low/reverse clutch (D)	6/7	02-11	1068-277-004	15158-35204
PRESSURE PLATES						
A120	Pressure plate .105" 6.450" id 30T	forward clutch (A)	1	02-11	AE	15158-41103
B122	Pressure plate .118" 4.200" id 24T/24 tabs	overdrive clutch (E)	1	02-11	AE	15158-41603
C124	Pressure plate .152" 6.450" 30T/30 tabs	direct clutch (B)	1	02-11	AE	15158-42003
D126	Pressure plate 30T	intermediate clutch (C)	1	02-11	AE	15158-42203
D128	Pressure plate .142" 6.450" 30T	low/reverse clutch (D)	1	02-11	AE	15158-43003
D128	Pressure plate .130" 6.450" 30T	low/reverse clutch (D)	sel	02-11	AE	15158-42303
D128	Pressure plate .095" 6.450" 30T	low/reverse clutch (D)	sel	02-11	AE	15158-42503

ZF6HP26A•09E

ZF6HP26A•09E

ILL	DESCRIPTION		QTY	YEAR	REFERENCE #	PART #
FILTERS						
H135	Filter (6 sided not equal)	ZF6HP26A	1	02-11	0501-213-359	15158-45104
BUSHINGS						
A140	Bushing	stator (front)	1	02-11	n/a	15158-50704
A141	Bushing	stator (rear)	1	02-11	n/a	15158-50804
A142	Bushing	forward housing (front)	1	02-11	n/a	15158-50904
A144	Bushing	forward housing (rear)	1	02-11	n/a	15158-51204
B146	Bushing	overdrive housing (rear)	1	02-11	n/a	15158-51404
C148	Bushing	forward hub (front)	1	02-11	n/a	15158-51604
C149	Bushing	forward hub (rear)	1	02-11	n/a	15158-51604
C151	Bushing	direct housing (front)	1	02-11	n/a	15158-52204
C152	Bushing	direct housing (rear)	1	02-11	n/a	15158-52204
D154	Bushing	intermediate clutch housing (center)	1	02-11	n/a	15158-52304
E156	Bushing	output shaft (front)	1	02-11	n/a	15158-52504
WASHERS/BEARINGS/RACES/SHIMS						
A170	Bearing, caged	pump body	1	02-11	n/a	15158-56104
A171	Spacer, shim .133" 1.596" id 1.928" od	pump stator to front sun gear	1	02-11	n/a	15158-56204
B172	Bearing, thrust .161" 1.381" id 2.037" od	sun gear to race	1	02-11	n/a	15158-56504
B174	Race, thrust .030" 1.367" id 1.904" od	bearing to forward planetary	1	02-11	n/a	15158-57004
B175	Bearing, thrust .161" 1.381" id 2.037" od	race to overdrive housing	1	02-11	n/a	15158-56504
B176	Washer (retainer) .043" 1.38" id 1.702" od	od bal piston to snap ring	1	02-11	n/a	15158-57504
B177	Bearing, thrust .185" .834" id 1.504" od	overdrive housing to od hub	1	02-11	n/a	15158-57804
C179	Bearing, thrust .161" 1.381" id 2.037" od	overdrive hub to forward hub	1	02-11	n/a	15158-56504
C180	Race .038" 1.441" id 2.209" od	forward hub to bearing	1	02-11	n/a	15158-58304
C181	Bearing, thrust .155" 1.384" id 2.254" od	race to direct housing	1	02-11	n/a	15158-58504
C183	Washer (retainer) .080" 1.97" id 2.34" od	snap ring to diaphragm spring	1	02-11	n/a	15158-58804
C185	Bearing, thrust .135" 1.930" id 2.628" od	direct housing to race	1	02-11	n/a	15158-59004
C186	Race .032" 2.073" id 2.622" od	bearing to intermediate housing	1	02-11	n/a	15158-59204
D190	Bearing, thrust .136" 1.860" id 2.670" od	intermediate housing to race	1	02-11	n/a	15158-59604
E191	Race .042" 2.003" id 2.819" od	bearing to sun gear	1	02-11	n/a	15158-59704
E192	Race .125" 1.380" id 1.970" od	rear (front) sun gear to bearing	1	02-11	n/a	15158-60104
E193	Bearing, thrust .0154" 1.342" id 2.046" od	race to rear sun gear	1	02-11	n/a	15158-60504
E194	Bearing, thrust .0154" 1.342" id 2.046" od	race to rear sun gear	1	02-11	n/a	15158-60504
E195	Race .038" 1.333" id 1.902" od	bearing to rear planetary	1	02-11	n/a	15158-60604
E197	Bearing, thrust .155" 1.579" id 2.187" od	rear planetary to output shaft	1	02-11	n/a	15158-60904
E198	Race .038" 1.701" id 2.321" od	rear planetary to output shaft	1	02-11	n/a	15158-61004
SNAP RINGS						
A247	Snap ring .056" 3.0" od 4 tabs (true-arc)	fwd balance piston to diaphragm spring	1	02-11	AE	15158-62303
A248	Snap ring .155" 7.783" od	forward clutch pressure plate	1	02-11	AE	15158-62503
B250	Snap ring .038" 2.900" (waved)	forward hsg to forward/front planetary	1	02-11	AE	15158-62903
B251	Snap ring .095" 1.633" od	od balance piston retainer to od hsg	1	02-11	AE	15158-63303
B252	Snap ring .083" 5.584" od	overdrive clutch pressure plate	1	02-11	AE	15158-63603
C254	Snap ring .099" 7.750" od	direct hub to forward housing	1	02-11	AE	15158-63803
C255	Snap ring .138" 7.750" od	direct clutch pressure plate	1	02-11	AE	15158-64203
C256	Snap ring .056" 2.250" od	inside direct balance piston	1	02-11	AE	15158-64603
C257	Snap ring .096" 2.130" od	direct balance piston to diaphragm spring	1	02-11	AE	15158-64803
D259	Snap ring .181" (beveled both sides)	8.500" od (intermediate housing to case)	1	02-11	AE	15158-65103
D260	Snap ring .123" 7.750" od	intermediate clutch pressure plate	1	02-11	AE	15158-65403
D261	Snap ring .075" 3.700" od	intermediate clutch retainer	1	02-11	AE	15158-65703
E263	Snap ring .076" 7.250" od	output shaft to rear ring gear	1	02-11	AE	15158-66003
PUMP PARTS AND PUMPS						
A280	Pump assembly	ZF6HP26A	1	02-11	AE	40280-67003

ILL	DESCRIPTION		QTY	YEAR	REFERENCE #	PART #
HARD PARTS						
A290	Housing, forward clutch	ZF6HP26A	1	02-11	AE	15158-72203
A291	Piston, forward clutch	ZF6HP26A	1	02-11	AE	15158-72603
A292	Spring, diaphragm .082" 10 fingers	forward clutch	1	02-11	AE	15158-72803
A293	Piston, forward clutch (balance)	ZF6HP26A	1	02-11	AE	15158-73203
B295	Gear, forward sun	ZF6HP26A	1	02-11	AE	40280-73503
B296	Planetary, forward	ZF6HP26A	1	02-11	AE	40280-73903
B297	Slinger, oil dam	4 tabs 4 oil tubes	1	02-11	1070-332-063	15158-74103
B300	Housing, od (w/turbine shaft ring gear)	bushing surface by splines 2 sealing rings	1	02-11	AE	15158-74503
B301	Piston, overdrive clutch 1.340" oh	ZF6HP26A	1	02-11	1068-471-037	15158-75003
B302	Spring, diaphragm .079" 10 fingers	overdrive clutch (4.489" od)	1	02-11	AE	15158-75203
B303	Piston, overdrive balance	ZF6HP26A	1	02-11	AE	15158-75403
C305	Hub, overdrive w/shaft	ZF6HP26A	1	02-11	AE	15158-75603
C306	Hub, overdrive w/shaft .925" od 29 splines	ZF6HP26A	1	02-11	AE	15158-75703
C307	Hub, direct clutch	ZF6HP26A	1	02-11	AE	15158-76103
C308	Spring, diaphragm .079" 10 fingers	4.865" od	1	02-11	AE	15158-76503
C309	Piston, balance direct clutch	ZF6HP26A	1	02-11	AE	15158-76703
C310	Piston, direct clutch	ZF6HP26A	1	02-11	AE	15158-76903
C311	Housing, direct clutch 1.773" od	(56 splines)	1	02-11	AE	15158-77203
D313	Retainer, intermediate clutch	ZF6HP26A	1	02-11	AE	15158-77503
D314	Spring, diaphragm .082" 6.948" od	12 fingers	1	02-11	AE	15158-77803
D315	Piston, intermediate clutch	ZF6HP26A	1	02-11	AE	15158-78203
D316	Housing, intermediate clutch	ZF6HP26A	1	02-11	AE	15158-78703
D317	Piston, low/reverse clutch	ZF6HP26A	1	02-11	AE	15158-79203
D318	Piston, balance low/reverse clutch	ZF6HP26A	1	02-11	AE	15158-79503
D319	Spring, diaphragm .063" 12 fingers	5.694" od (low/reverse clutch)	1	02-11	AE	15158-79603
D320	Retainer, 2 piece (split type)	low/reverse (large)	1	02-11	AE	15158-79803
D321	Retainer, 2 piece (split type w/2 tabs)	low/reverse (small)	1	02-11	AE	15158-79903
E325	Gear, rear front sun gear	ZF6HP26A	1	02-11	AE	40280-80103
E326	Gear, rear rear sun gear	ZF6HP26A	1	02-11	AE	40280-80503
E327	Planetary, rear	ZF6HP26A	1	02-11	AE	40280-81003
E328	Gear, output ring	ZF6HP26A	1	02-11	AE	40280-81503
E329	Shaft, output	ZF6HP26A	1	02-11	AE	40280-82303
ELECTRICAL COMPONENTS						
n/i	Kit, solenoid (7) manual shift	1-black/3-yellow/3-blue	1	02-11	1068-298-044	45158-85004
n/i	Kit, solenoid (7) manual shift	5-yellow/1-black/1-blue	1	02-11	1068-298-045	45158-85104
n/i	Kit, solenoid (9) electric shift	1-MV2-green/3-yellow/1-black/3-blue	1	02-11	1068-298-043	45158-85204
H383	Solenoid, shift (green connector)	MV3 w/electric shift	1	02-11	n/a	45158-86004
H400	Solenoid	MV2 w/electric shift (on opposite side)	1	02-11	n/a	45158-86404
H401	Solenoid (PWM)(yellow connector)	EDS6	1	02-11	0501-213-960	45158-85404
H402	Solenoid (on/off)(black connector)	MV1	1	02-11	0501-319-037	45158-85604
H403	Solenoid (PWM)(blue connector)	EDS4	1	02-11	0501-213-959	45158-85804
H404	Solenoid (PWM)(blue connector)	EDS5	1	02-11	0501-213-959	45158-85804
H405	Solenoid (PWM)(yellow connector)	EDS3	1	02-11	0501-213-960	45158-85404
H406	Solenoid (PWM)(blue connector)	EDS2	1	02-11	0501-213-959	45158-85804
H407	Solenoid (PWM)(yellow connector)	EDS1	1	02-11	0501-213-960	45158-85404
H408	Solenoid, park/manual valve	w/electric shift	1	02-11	n/a	45158-88104
H409	Solenoid, shift (green connector)	MV3 w/electric shift	1	02-11	n/a	45158-86004
H411	TCM (transmission control module)	ZF6HP26A	1	02-11	n/a	45158-86504
H411	TCM (transmission control module)	w/electric shift	1	02-11	n/a	45158-86604
H412	Harness, wiring	w/electric shift	1	02-11	n/a	45158-87504
n/i	Connector, case electrical	ZF6HP26A	1	02-11	n/a	45158-90104
NOTES						



ILL	DESCRIPTION	QTY	YEAR	REFERENCE #	PART #
TECHNICAL MANUALS					
K53	Tech manual TF-81SC dis/assembly	1	05-11	n/a	010-489
REBUILDER KITS					
K5	Master kit w/steels	1	05-11	AE	75250-11004
K5	Master kit w/steels	1	05-11	AE	75250-11104
K6	Master kit w/o steels	1	05-11	AE	75250-12004
K6	Master kit w/o steels	1	05-11	AE	75250-12104
K7	O/H gasket set w/seals-rings	1	05-11	AE	75250-13004
K7	O/H gasket set w/seals-rings	1	05-11	DP2511	75250-13104
VALVE BODY KITS					
K15	Kit, valve body repair	1	05-11	SK@ AWF21	75250-17009
GASKETS AND RUBBER COMPONENTS					
F1	Gasket, oil pan	1	05-11	B11521	75250-19104
A3	O'ring	1	05-11	n/a	75250-21004
E20	O'ring	1	05-11	n/a	75250-23004
E21	O'ring	1	05-11	n/a	75250-23004
F23	O'ring	1	05-11	n/a	75250-23504
F24	O'ring	1	05-11	n/a	75250-23603
F26	O'ring	1	05-11	n/a	75250-23704
METAL CLAD SEALS					
A41	Seal, metal clad	1	05-11	B37082	75250-30004
A43	Seal, metal clad	1	05-11	B37083	15250-30104
A43	Seal, metal clad	1	06-11	B37079	75250-30204
A46	Seal, metal clad	1	05-11	B37084	15250-30304
A46	Seal, metal clad	1	06-11	B37080	75250-30404
A47	Seal, metal clad 12x22x7mm	1	05-11	n/a	46202
SEALING RINGS					
K10	Kit, sealing ring	1	05-11	n/a	75250-31504
A50	Sealing ring	2	05-11	n/a	75250-33104
B52	Sealing ring	3	05-11	n/a	75250-33204
B54	Sealing ring	2	05-11	n/a	75250-33304
E56	Sealing ring	2	05-11	n/a	75250-33404
CLUTCH PLATES					
A61	Steel .091" 5.557" id 36T (sets of 2)	4	05-11	197705-230	97251-37504
A63	Friction .067" 6.523" od 54T	4	05-11	197704-170	97251-35104
B64	Friction .067" 6.186" od 54T	6	05-11	197700-170	97251-35204
B65	Steel .071" 5.558" id 40T	6	05-11	197701-180	97251-37604
D67	Friction .067" 6.293" od 55T	3	05-11	197702-170	97251-35304
D68	Steel .071" 5.637" id 36T	3	05-11	197703-180	97251-37704
E70	Friction .067" 7.306" od 60T	6	05-11	197706-170	97251-35404
E71	Steel .071" 6.811" id 14T (sets of 2)	5	05-11	197707-180	97251-37804
PRESSURE PLATES					
A75	Pressure plate 36T (stepped)	1	05-11	AE	97251-41103
B77	Pressure plate 40T (stepped)	1	05-11	AE	97251-41503
E78	Pressure plate 36T (stepped)	1	05-11	AE	97251-42003
E79	Pressure plate 14T (backing)(sets of 2)	1	05-11	AE	97251-42503
E80	Pressure plate 14T (apply)(sets of 2)	1	05-11	AE	97251-43003
FILTERS					
F85	Filter	1	05-11	APC-197940	97251-45004
BANDS					
A89	Band	1	05-11	n/a	75250-47504

TF-81SC•AF21-B•AF21•AW6A-EL•AM6

TF-81SC•AF21•AW6A-EL•AM6

ILL	DESCRIPTION	QTY	YEAR	REFERENCE #	PART #
BUSHINGS					
K13	Kit, bushing	1	05-11	n/a	75250-50104
A94	Bushing, dimpled	1	05-11	n/a	75250-50604
A95	Bushing, dimpled	1	05-11	n/a	75250-50704
C97	Bushing, dimpled	1	05-11	n/a	75250-51004
C98	Bushing, dimpled	1	05-11	n/a	75250-51104
D99	Bushing, dimpled	1	05-11	n/a	75250-51204
D99	Bushing, dimpled	1	05-11	n/a	75250-51204
WASHERS/BEARINGS/RACES/SHIMS					
A110	Bearing, caged	1	05-11	n/a	75250-56104
A111	Washer, thrust .046" 2.057" od (1 tab)	1	05-11	n/a	75250-56204
A112	Bearing, caged	1	05-11	n/a	75250-56504
B117	Washer, thrust .138" 3.800" od (3 tabs)	1	05-11	n/a	75250-57104
B118	Washer, thrust .053" 3.346" od (3 tabs)	1	05-11	n/a	75250-57304
B120	Bearing, thrust .070" 2.400" od	1	05-11	n/a	75250-57504
B121	Race, thrust .040" 2.700" od	1	05-11	n/a	75250-57604
B123	Bearing, thrust .110" 2.065" od	1	05-11	n/a	75250-57704
B124	Race, thrust .059" 1.902" od	1	05-11	n/a	75250-57804
B125	Bearing, caged	1	05-11	n/a	75250-57904
C126	Bearing, thrust .110" 1.885" od	1	05-11	n/a	75250-58004
C127	Race, thrust .060" 1.843" od	1	05-11	n/a	75250-58104
C126	Bearing, cup/cone	1	05-11	n/a	75250-58204
C132	Bearing, cup/cone	1	05-11	n/a	75250-58204
C135	Washer, thrust .048" 3.140" od (3 tabs)	1	05-11	n/a	75250-58704
C137	Washer, thrust .120" 4.107" od (6 tabs)	1	05-11	n/a	75250-59004
D138	Bearing, thrust .130" 1.910" od	1	05-11	n/a	75250-59104
D139	Race, thrust .032" 1.889" od	1	05-11	n/a	75250-59204
D140	Race, thrust .032" 1.713" od	1	05-11	n/a	75250-59304
D141	Bearing, thrust .138" 1.716" od	1	05-11	n/a	75250-59404
D142	Race, thrust .032" 1.635" od	1	05-11	n/a	75250-59504
D144	Bearing, thrust .162" 2.922" od	1	05-11	n/a	75250-59604
E145	Bearing, caged w/seal	1	05-11	DB501608W	75250-59804
E147	Bearing, cup/cone	1	05-11	n/a	75250-59904
E150	Bearing, cup/cone	1	05-11	n/a	75250-60104
E151	Washer, shim	sel	05-11	n/a	75250-60204
E153	Bearing, cup/cone	1	05-11	n/a	75250-60304
E155	Bearing, cup/cone	1	05-11	n/a	75250-60304
E156	Washer, shim	sel	05-11	n/a	75250-60504
SNAP RINGS					
A165	Snap ring .060" 2.550" od	1	05-11	AE	75250-62203
A166	Snap ring .064" 7" od	1	05-11	AE	75250-62503
B167	Snap ring .064" 6.750" od	1	05-11	AE	75250-62803
B168	Snap ring .060" 2.100" od	1	05-11	AE	75250-63003
C169	Snap ring	1	05-11	AE	75250-63203
C170	Snap ring .065" 4.584" od	1	05-11	AE	75250-63303
C171	Snap ring .048" 5.057" od	1	05-11	AE	75250-63403
C172	Snap ring .046" 8.005" od	1	05-11	AE	75250-63503
D173	Snap ring .063" 6.075" od	1	05-11	AE	75250-64003
D175	Snap ring .049" 2.096" od	1	05-11	AE	75250-64203
E175	Snap ring .048" 8" od	1	05-11	AE	75250-64403
E176	Snap ring .084" 7.670" od	1	05-11	AE	75250-64603
F179	Snap ring .074" 2.593" od	1	05-11	AE	75250-65003

ILL	DESCRIPTION	QTY	YEAR	REFERENCE #	PART #
PUMP PARTS AND PUMPS					
A180	Pump assembly TF-81SC	1	05-11	AE	75250-67003
HARD PARTS					
A190	Drum, reverse casting #BB25D1011	1	05-11	AE	75250-72103
A191	Piston, reverse/3/5 clutch steel	1	05-11	AE	75250-72303
A192	Retainer, w/26 springs reverse/3/5 clutch	1	05-11	AE	75250-72403
B195	Planetary, front (3 pinions 17T) TF-81SC (no id grooves)	1	05-11	AE	75250-72603
B196	Gear, front sun 45T (40 splines) TF-81SC (no id grooves)	1	05-11	AE	75250-72803
B197	Gear, front ring w/shaft 81T TF-81SC (no id grooves)	1	05-11	AE	75250-73003
B198	Retainer, w/25 springs 1/2/3/4 clutch	1	05-11	AE	75250-73303
B199	Piston, 1/2/3/4 clutch steel	1	05-11	AE	75250-73403
B200	Housing, 1/2/3/4 clutch TF-81SC	1	05-11	AE	75250-73803
C201	Hub, 1/2/3/4 housing drive TF-81SC (40 splines)	1	05-11	AE	75250-74003
C202	Support, drive gear TF-81SC	1	05-11	AE	75250-74103
C203	Gear, drive 51T (72 splines) TF-81SC (no id grooves)	1	05-11	AE	75250-74303
C204	Retainer, nut lock TF-81SC	1	05-11	AE	75250-74503
C205	Nut, drive gear TF-81SC	1	05-11	AE	75250-74803
C206	Hub, drive gear 72 external splines/72 internal splines	1	05-11	AE	75250-75003
C207	Gear, rear ring 72T TF-81SC	1	05-11	AE	75250-75203
C208	Planetary, rear (3-pinion gears) inner 17T/outer 18T	1	05-11	AE	75250-75503
D209	Gear, rear sun 27T (32 splines) TF-81SC	1	05-11	AE	75250-75703
D210	Retainer, w/28 springs 4/5/6 clutch	1	05-11	AE	75250-76003
D211	Retainer, seat (for springs) 4/5/6 clutch	1	05-11	AE	75250-76103
D212	Housing, 4/5/6 clutch w/shaft TF-81SC	1	05-11	AE	75250-76403
E213	Retainer, w/14 springs reverse/1 brake clutch	1	05-11	AE	75250-76603
E214	Piston, reverse/1 brake clutch aluminum	1	05-11	AE	75250-76703
E215	Gear, pinion gear 15T (30 splines) TF-81SC (6.660" length)	1	05-11	AE	75250-77003
E216	Gear, driven w/park gear 50T TF-81SC	1	05-11	AE	75250-77303
E218	Differential assembly (w/spider gears) TF-81SC	1	05-11	AE	75250-77503
E219	Gear, final ring 1.735" 53T TF-81SC	1	05-11	AE	75250-78003
F220	Housing, front TF-81SC	1	05-11	AE	75250-78203
F229	Lever, shift shaft (rooster cone) TF-81SC	1	05-11	AE	75250-79003
F230	Rod, park TF-81SC	1	05-11	AE	75250-79103
F232	Housing, main case TF-81SC	1	05-11	AE	75250-80103
F233	Valve body w/solenoids TF-81SC	1	05-11	AE	75250-80503
F234	Pan, side cover TF-81SC	1	05-11	AE	75250-80703
F222	Cover, reverse servo TF-81SC	1	05-11	AE	75250-78403
F224	Servo, w/pin (reverse) TF-81SC	1	05-11	AE	75250-78503
F228	Spring, reverse servo TF-81SC	1	05-11	AE	75250-78603
n/i	Pawl, park TF-81SC	1	05-11	AE	75250-81003
n/i	Pin, park pawl TF-81SC	1	05-11	AE	75250-81103
n/i	Spring, park pawl TF-81SC	1	05-11	AE	75250-81203
n/i	Spring, park guide TF-81SC	1	05-11	AE	75250-81303
n/i	Spring, detent TF-81SC	1	05-11	AE	75250-81403
ELECTRICAL COMPONENTS					
F251	Solenoid line pressure	1	05-11	n/a	75250-85504
F252	Solenoid shift B	1	05-11	n/a	75250-85604
F253	Solenoid shift E	1	05-11	n/a	75250-85704
F254	Solenoid shift C	1	05-11	n/a	75250-85804
F255	Solenoid TCC	1	05-11	n/a	75250-85904
F256	Switch, MLPS neutral start	1	05-11	n/a	75250-86004
F257	Sensor, VSS output speed	1	05-11	n/a	75250-86104
F258	Solenoid shift A	1	05-11	n/a	75250-86204
F259	Sensor, VTS input speed	1	05-11	n/a	75250-86304

A Measurable Difference in Transmission Filter Performance

FILTRAN

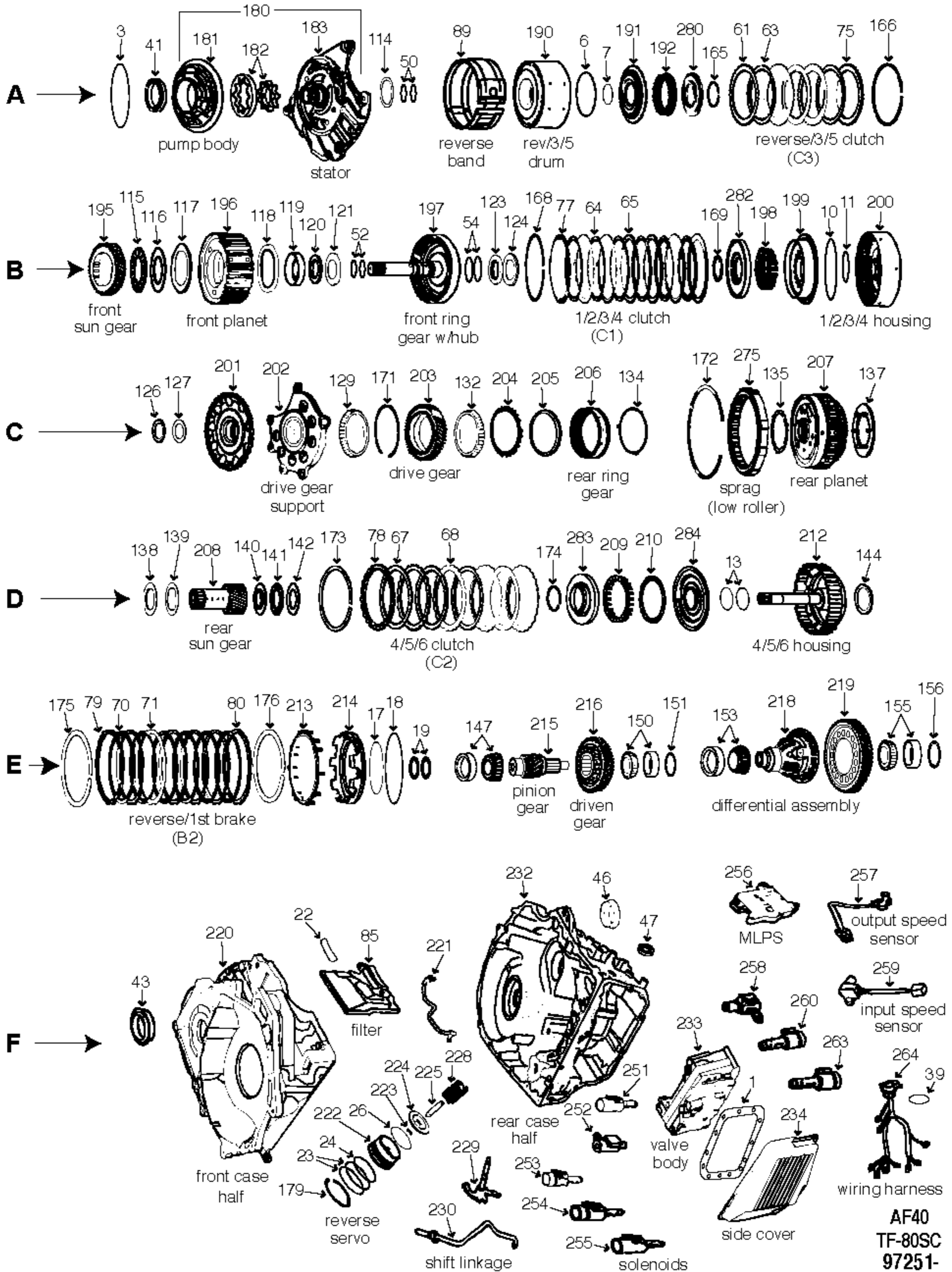


FILTRAN *PREMIUM* Brand Filters



SPX **FILTRAN**

SPX
FILTRAN



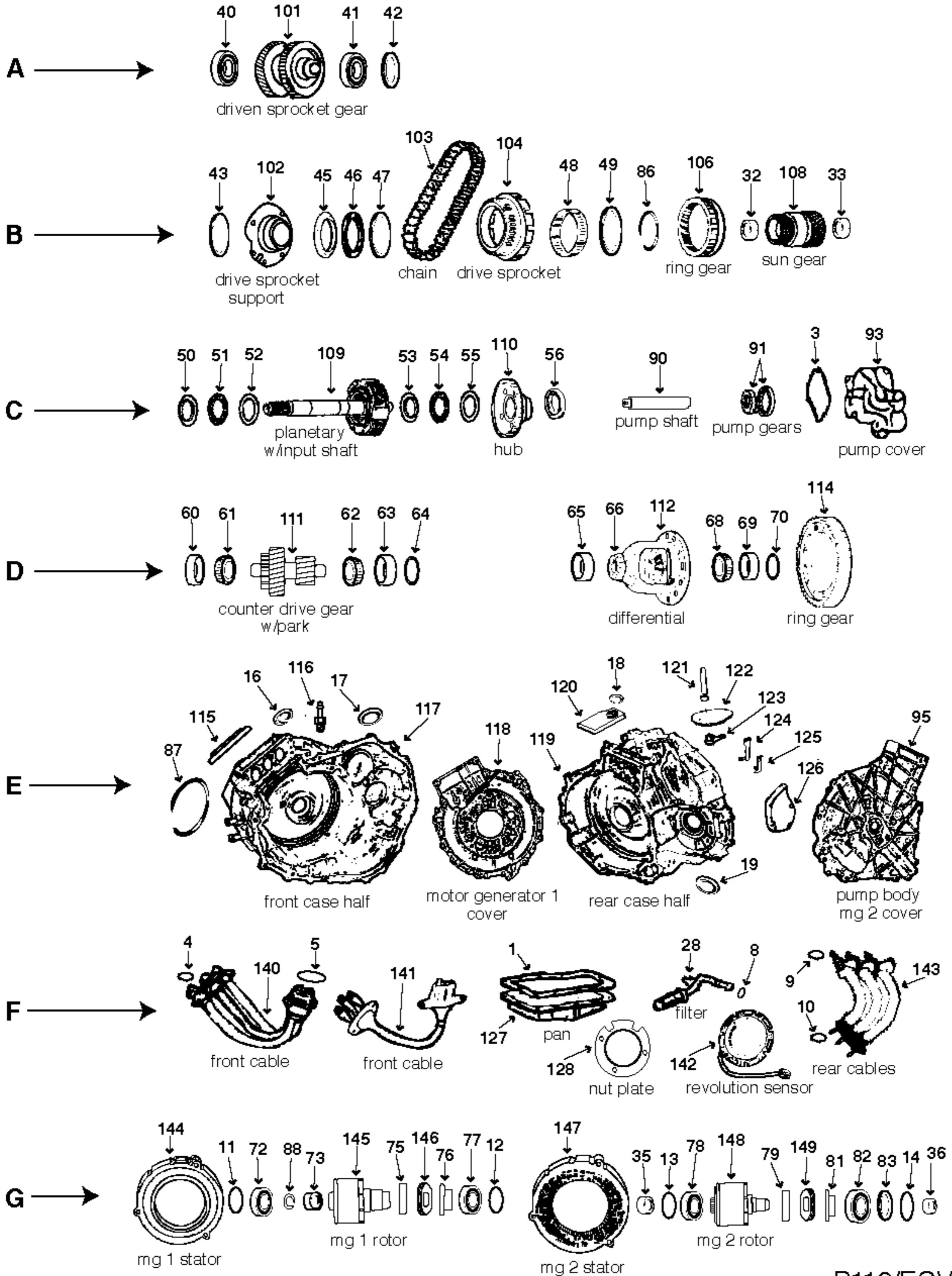
ILL	DESCRIPTION		QTY	YEAR	REFERENCE #	PART #
REBUILDER KITS						
K5	Master kit w/steels	TF-80SC/AF40 (w/pistons)	1	06-10	AE	97251-11004
K4	Master kit w/steels	TF-80SC/AF40 (w/o pistons)	1	06-10	AE	97251-11104
K6	Master kit w/o steels	TF-80SC/AF40 (w/pistons)	1	06-10	AE	97251-12004
K6	Master kit w/o steels	TF-80SC/AF40 (w/o pistons)	1	06-10	AE	97251-12104
K7	O/H gasket set w/seals-rings	TF-80SC/AF40 (w/pistons)	1	06-10	AE	97251-13004
K7	O/H gasket set w/seals-rings	TF-80SC/AF40 (w/o pistons)	1	06-10	DP2542	97251-13104
K13	Valve body gasket kit	TF-80SC/AF40	1	06-10	4821	97251-16104
GASKETS AND RUBBER COMPONENTS						
F1	Gasket, oil pan		1	06-10	B11527	97251-19104
METAL CLAD SEALS						
F41	Seal, metal clad	front	1	06-10	B37082	75250-30004
F43	Seal, metal clad	right axle (outer)	1	06-10	B37128	97251-30104
F46	Seal, metal clad	left axle	1	06-10	B37125	97251-30304
F47	Seal, metal clad 12x22x7mm	manual shift shaft	1	06-08	n/a	46202
n/i	Seal, metal clad	right axle (inner)	1	06-10	B37129	97251-30204
SEALING RINGS						
K10	Kit, sealing ring	TF-80-SC	1	06-08	n/a	75250-31504
CLUTCH PLATES						
A61	Steel .091" 5.557" id 36T (sets of 2)	C3 (reverse/3rd/5th clutch)	4	06-10	197705-230	97251-37504
A63	Friction .067" 6.523" od 54T	C3 (reverse/3rd/5th clutch)	4	06-10	197704-170	97251-35104
B64	Friction .067" 6.186" od 54T	C1 (1st/2nd/3rd/4th clutch)	6	06-10	197700-170	97251-35204
B65	Steel .071" 5.558" id 40T	C1 (1st/2nd/3rd/4th clutch)	6	06-10	197701-180	97251-37604
D67	Friction .067" 6.293" od 55T	C2 (4th/5th/6th clutch)	3	06-10	197702-170	97251-35304
D68	Steel .071" 5.637" id 36T	C2 (4th/5th/6th clutch)	3	06-10	197703-180	97251-37704
E70	Friction .067" 7.306" od 60T	B2 (reverse/1st engine brake clutch)	5	06-10	197706-170	97251-35404
E71	Steel .071" 6.811" id 14T (sets of 2)	B2 (reverse/1st engine brake clutch)	5	06-10	197707-180	97251-37804
PRESSURE PLATES						
A75	Pressure plate 36T (stepped)	C3 (reverse/3rd/5th clutch)	1	06-10	AE	97251-41103
B77	Pressure plate 40T (stepped)	C1 (1st/2nd/3rd/4th clutch)	1	06-10	AE	97251-41503
D78	Pressure plate 36T (stepped)	C2 (4th/5th/6th clutch)	1	06-10	AE	97251-42003
E79	Pressure plate 14T (backing)(sets of 2)	B2 (reverse/1st engine brake)	1	06-10	AE	97251-42503
E80	Pressure plate 14T (apply)(sets of 2)	B2 (reverse/1st engine brake)	1	06-10	AE	97251-43003
FILTERS						
F85	Filter	TF-80SC/AF40	1	06-10	n/a	97251-45004
BANDS						
A89	Band	TF-80-SC	1	06-08	n/a	75250-47504
BUSHINGS						
K13	Kit, bushing	TF-80SC	1	06-08	n/a	75250-50104
A94	Bushing, dimpled	pump body	1	06-08	n/a	75250-50604
A95	Bushing, dimpled	pump support (front)	1	06-08	n/a	75250-50704
C97	Bushing, dimpled	rear planetary (front)	1	06-08	n/a	75250-51004
C98	Bushing, dimpled	rear planetary (rear)	1	06-08	n/a	75250-51104
D99	Bushing, dimpled	rear sun gear (front)	1	06-08	n/a	75250-51204
D100	Bushing, dimpled	rear sun gear (rear)	1	06-08	n/a	75250-51204
WASHERS/BEARINGS/RACES/SHIMS						
A114	Washer, thrust	pump support to drum	1	06-10	n/a	97251-56304
B115	Bearing, thrust	front sun gear to ring gear	1	06-10	n/a	97251-56804
B116	Race, thrust	front sun gear to ring gear	1	06-10	n/a	97251-57004
B117	Washer, thrust	front sun gear to ring gear	1	06-10	n/a	97251-57204
B118	Washer, thrust	front planetary to ring gear	1	06-10	n/a	97251-57504
B119	Race, thrust	front planetary to ring gear	1	06-10	n/a	97251-57704
B120	Bearing, thrust	front planetary to ring gear	1	06-10	n/a	97251-57804
B121	Race, thrust	front planetary to ring gear	1	06-10	n/a	97251-58004

TF-80-SC•AF40-6•AF40

TF-80-SC•AF40-6•AF40

ILL	DESCRIPTION	QTY	YEAR	REFERENCE #	PART #
WASHERS/BEARINGS/RACES/SHIMS (CONTINUED)					
B123	Bearing, thrust front ring gear to housing	1	06-10	n/a	97251-58204
B124	Race, thrust front ring gear to housing	1	06-10	n/a	97251-58304
C126	Race, thrust drive shell to housing	1	06-10	n/a	97251-58504
C127	Bearing, thrust drive shell to housing	1	06-10	n/a	97251-58604
C129	Bearing, cup/cone drive gear (front)	1	06-10	n/a	97251-58704
C132	Bearing, cup/cone drive gear (rear)	1	06-10	n/a	97251-58704
C134	Washer, thrust rear ring gear to planetary	1	06-10	n/a	97251-58804
C135	Washer, thrust rear ring gear to planetary	1	06-10	n/a	97251-58904
C137	Washer, thrust rear planetary	1	06-10	n/a	97251-59204
D138	Bearing, thrust rear sun gear to planetary	1	06-10	n/a	97251-59304
D139	Race, thrust rear sun gear to planetary	1	06-10	n/a	97251-59404
D140	Race, thrust rear sun gear to housing	1	06-10	n/a	97251-59504
D141	Bearing, thrust rear sun gear to housing	1	06-10	n/a	97251-59604
D142	Race, thrust rear sun gear to housing	1	06-10	n/a	97251-59704
D144	Bearing, thrust 4/5/6 housing to case	1	06-10	n/a	97251-59904
E147	Bearing, cup/cone pinion gear (front)	1	06-10	n/a	97251-60104
E150	Bearing, cup/cone pinion gear (rear)	1	06-10	n/a	97251-60204
E151	Washer, shim differential bearing	sel	06-10	n/a	97251-60504
E153	Bearing, cup/cone differential housing	1	06-10	n/a	97251-60704
E155	Bearing, cup/cone differential housing (ring gear side)	1	06-10	n/a	97251-60904
E156	Washer, shim differential bearing	sel	06-10	n/a	97251-61004
SNAP RINGS					
A165	Snap ring C3 clutch spring retainer	1	06-10	AE	97251-62403
A166	Snap ring C3 clutch pressure plate	1	06-10	AE	97251-62503
B168	Snap ring C1 clutch pressure plate	1	06-10	AE	97251-62803
B169	Snap ring C1 clutch spring retainer	1	06-10	AE	97251-63003
C171	Snap ring seat for drive gear bearings	1	06-10	AE	97251-63503
C172	Snap ring sprag in case	1	06-10	AE	97251-63803
D173	Snap ring C2 clutch pressure plate	1	06-10	AE	97251-64103
D174	Snap ring C2 clutch spring retainer	1	06-10	AE	97251-64303
E176	Snap ring B2 clutch pressure plate	1	06-10	AE	97251-64603
F179	Snap ring reverse servo cover	1	06-10	AE	97251-65103
PUMP PARTS AND PUMPS					
A180	Pump assembly TF-80SC	1	06-10	AE	97251-67003
A181	Body, pump w/gears TF-80SC	1	06-10	AE	97251-67503
A182	Gears, pump (inner/outer) TF-80SC	1	06-11	n/a	97251-68104
A183	Support, pump w/shaft TF-80SC	1	06-10	AE	97251-68503
HARD PARTS					
A190	Drum, reverse/3/5th clutch TF-80SC	1	06-10	AE	97251-72303
A191	Piston, reverse/3/5th clutch TF-80SC	1	06-10	AE	97251-72503
A192	Retainer, w/spring reverse/3/5th clutch	1	06-10	AE	97251-72603
B195	Gear, front sun TF-80SC	1	06-10	AE	97251-73003
B196	Planetary, front TF-80SC	1	06-10	AE	97251-73203
B197	Gear, front ring (w/shaft) TF-80SC	1	06-10	AE	97251-73503
B198	Retainer, w/springs C1 clutch	1	06-10	AE	97251-73703
B199	Piston, C1 clutch TF-80SC	1	06-10	AE	97251-73803
B200	Housing, C1 clutch 1/2/3/4th	1	06-10	AE	97251-74003
C201	Shell, drive TF-80SC	1	06-10	AE	97251-74303
C202	Support, drive gear TF-80SC	1	06-10	AE	97251-74603
C203	Gear, drive TF-80SC	1	06-10	AE	97251-74903
C204	Retainer, drive gear nut TF-80SC	1	06-10	AE	97251-75103
C205	Nut, drive gear TF-80SC	1	06-10	AE	97251-75203
C206	Gear, rear ring TF-80SC	1	06-10	AE	97251-75503

ILL	DESCRIPTION	QTY	YEAR	REFERENCE #	PART #
HARD PARTS (CONTINUED)					
C207	Planetary, rear	1	06-10	AE	97251-75803
D208	Gear, rear sun	1	06-10	AE	97251-76203
D209	Retainer, w/springs	1	06-10	AE	97251-76503
D210	Retainer, spring seat	1	06-10	AE	97251-76603
D212	Housing, C2 clutch	1	06-10	AE	97251-77003
E213	Retainer, w/springs	1	06-10	AE	97251-77304
E214	Piston, B2 clutch	1	06-10	AE	97251-77403
E215	Gear, pinion	1	06-10	AE	97251-77503
E216	Gear, driven	1	06-10	AE	97251-77803
E218	Differential assembly	1	06-10	AE	97251-78003
E219	Gear, ring	1	06-10	AE	97251-78503
F220	Housing, front half	1	06-10	AE	97251-78703
F224	Piston, reverse servo (w/pin)	1	06-10	AE	97251-79003
F232	Housing, rear half	1	06-10	AE	97251-80403
F233	Valve body w/solenoids	1	06-11	AE	97251-82003
F234	Pan, side cover	1	06-10	AE	97251-82503
ELECTRICAL COMPONENTS					
F251	Solenoid	1	06-10	n/a	97251-85504
F252	Solenoid	1	06-10	n/a	97251-85604
F253	Solenoid	1	06-10	n/a	97251-85704
F254	Solenoid	1	06-10	n/a	97251-85804
F255	Solenoid	1	06-10	n/a	97251-85904
F256	Solenoid	1	06-10	n/a	97251-86004
F257	Sensor, output speed (VSS)	1	06-10	n/a	97251-86104
F288	Solenoid	1	06-10	n/a	97251-86204
F259	Sensor, input speed (TSS)	1	06-10	n/a	97251-86304
F260	Solenoid	1	06-10	n/a	97251-86404
F263	Solenoid	1	06-10	n/a	97251-86504
F264	Harness, internal wiring	1	06-10	n/a	97251-86604
SPRAGS					
C275	Sprag, low (assembly)	1	06-10	n/a	97251-94004
C275	Sprag, low (assembly)	1	06-10	AE	97251-94003
BONDED PISTONS					
A280	Piston, bonded rubber (balance)	1	06-10	n/a	97251-96304
B282	Piston, bonded rubber (balance)	1	06-10	n/a	97251-96504
D283	Piston, bonded rubber (balance)	1	06-10	n/a	97251-96604
D284	Piston, bonded rubber	1	06-10	n/a	97251-96704
NOTES					



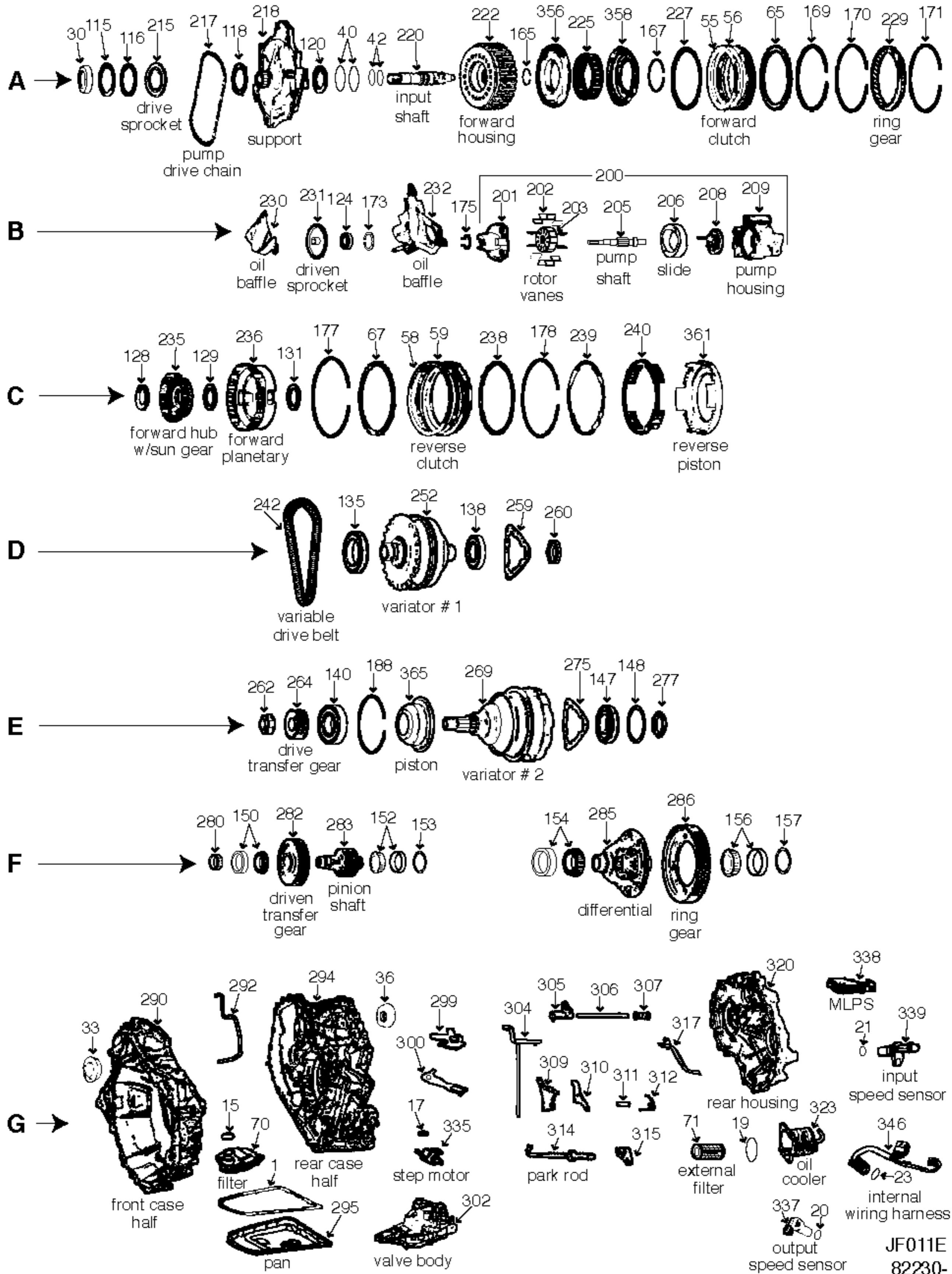
P112/ECVT
95242-

ILL	DESCRIPTION	QTY	YEAR	REFERENCE #	PART #
REBUILDER KITS					
K7	O/H gasket set w/seals-rings	1	02-07	n/a	95242-13004
GASKETS AND RUBBER COMPONENTS					
F1	Gasket, oil pan	1	02-08	n/a	95242-18000
C3	Gasket, molded rubber	1	02-08	90903-01009	95242-28100
F4	O'ring	3	02-08	n/a	95242-21100
F5	O'ring	1	02-08	n/a	95242-21500
F8	O'ring	1	02-08	90301-11019	95242-21800
F9	Seal, multi-lip	3	02-08	n/a	95242-22200
F10	O'ring	3	02-08	n/a	95242-22500
F11	O'ring	1	02-08	n/a	95242-22700
F12	O'ring	1	02-08	n/a	95242-22700
F13	O'ring	1	02-08	n/a	95242-22700
F14	O'ring	1	02-08	n/a	95242-23000
METAL CLAD SEALS					
E16	Seal, metal clad	1	02-08	90311-25026	95242-30100
E17	Seal, metal clad	1	02-08	90311-35055	95242-30300
E18	Seal, metal clad	1	02-08	0371P (NOK)	95242-30600
E19	Seal, metal clad	1	02-08	90311-35054	95242-30800
FILTERS					
F28	Filter (w/tube)	1	02-08	35395-47030	95242-45004
BUSHINGS					
B32	Bushing	1	02-08	n/a	95242-51000
B33	Bushing	1	02-08	n/a	95242-51000
G35	Bushing	1	02-08	n/a	95242-51700
G36	Bushing	1	02-08	n/a	95242-52000
WASHERS/BEARINGS/RACES/SHIMS					
A40	Bearing, ball .671" 1.377" id 2.837" od	1	02-08	90363- 35056	6207N
A41	Bearing, ball .671" 1.377" id 2.837" od	1	02-08	90363- 35056	6207N
A42	Shim .067" 2.241" id 2.784" od	1	02-08	90564-35140	95242-56200
B43	Shim .066" 2.360" id 2.625" od	1	02-08	n/a	95242-56500
B45	Thrust race w/inner lip 3.316" id 3.926"od	1	02-08	35789-47040	95242-56700
B46	Thrust bearing .079" 3.384" id 3.889" od	1	02-08	90374-76001	95242-56900
B47	Thrust race .068" 3.447" id 3.888" od	1	02-08	35786-47040	95242-57100
B48	Bearing, caged .776" 3.280" id 3.421" od	1	02-08	90364-73001	95242-57300
B49	Spacer .060" 3.255" id 3.456" od	1	02-08	90560-74001	95242-57500
C50	Thrust race w/inner lip 1.070" id 1.559"od	1	02-08	35789-47020	95242-57800
C51	Thrust bearing .079" 1.068" id 1.567" od	1	02-08	90374-27011	95242-58000
C52	Thrust race .032" 1.070" id 1.567" od	1	02-08	35786-47020	95242-58200
C53	Thrust race w/inner lip 1.189" id 1.823"od	1	02-08	35789-47030	95242-58400
C54	Thrust bearing .078" 1.257" id 1.771" od	1	02-08	90374-31004	95242-58600
C55	Thrust race .060" 1.284" id 1.822" od	1	02-08	35786-47030	95242-58800
C56	Shim(w/outer lip).070" 1.417" id 1.979" od	1	02-08	90564-36021	95242-59000
D60	Bearing, race (cup)	1	02-08	9036335056	95242-59200
D61	Bearing, roller (cone)	1	02-08	9036335056	95242-59400
D62	Bearing, roller (cone)	1	02-08	9036335056	95242-59400
D63	Bearing, race (cup)	1	02-08	9036335056	95242-59200
D64	Shim .061" 2.208" id 2.624" od	1	02-08	n/a	95242-59300
D65	Bearing, race (cup)	1	02-08	Koyo/TRA080702	95242-59700
D66	Bearing, roller (cone)	1	02-08	90366-40016	95242-59800
D68	Bearing, roller (cone)	1	02-08	90366-40064	95242-60000
D69	Bearing, race (cup)	1	02-08	Nachi/40KB681	95242-60100
D70	Shim .084" 1.764" id 2.652" od	1	02-08	n/a	95242-60300
G72	Bearing, ball (sealed w/grv).472" 1.808" id	1	02-08	B46-3Z	95242-60500

P112-ECVT

P112-ECVT

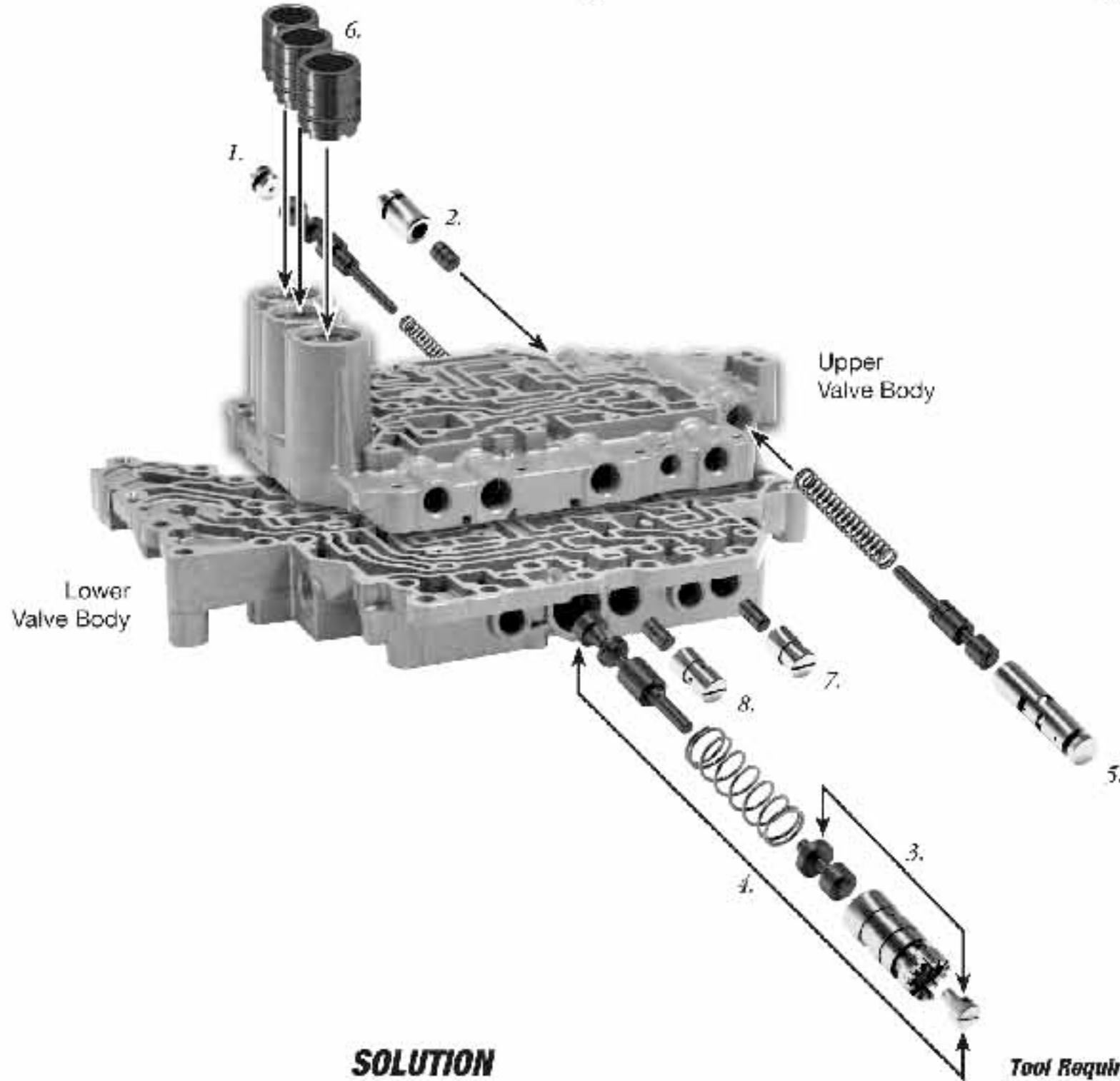
ILL	DESCRIPTION	QTY	YEAR	REFERENCE #	PART #
WASHERS/BEARINGS/RACES/SHIMS (CONTINUED)					
G73	Bearing, caged mg 1 rotor front to input shaft	1	02-08	NSK/DB502519W	95242-60700
G75	Sleeve, stop .234" oh 2.102" id 2.278" od mg 1 rotor rear to revolution exciter	1	02-08	n/a	95242-60900
G76	Spacer w/in/outer lip .375" oh 1.809" id mg 1 rotor front brg to revolution exciter	1	02-08	n/a	95242-61100
D77	Bearing, ball (sealed w/grv).472" 1.808" id mg 1 rotor rear to drive sprocket support	1	02-08	B46-3Z	95242-60500
D78	Bearing, ball (sealed w/grv).472" 1.808" id rear case half to mg 2 rotor front	1	02-08	B46-3Z	95242-60500
G79	Sleeve, stop .234" oh 2.102" id 2.278" od mg 2 rotor rear to revolution exciter	1	02-08	n/a	95242-60900
G81	Spacer (w/in/outer lip) .464" oh 1.809" id revolution exciter to mg 2 rotor rear brg	1	02-08	n/a	95242-61300
G82	Bearing, ball (sealed w/grv).550" 1.810" id 2.912" od mg 2 rotor rear to pump body	1	02-08	B46-4Z	95242-61500
G83	Shim .057" 2.405" id 2.863" od mg 2 rotor rr brg to pump body(mg 2 cover)	1	02-08	n/a	95242-61800
SNAP RINGS					
B86	Snap ring .050" 3.465" id 3.867" od drive sprocket	1	02-08	90520-78001	95242-62200
E87	Snap ring .090" 8 1/4" id 8 13/16" od to front case half	1	02-08	n/a	95242-62600
G88	Snap ring (w/eyeholes) .041" 1.114" id 1.309" 1 rotor rear (inside shaft)	1	02-08	n/a	95242-62900
PUMP PARTS AND PUMPS					
C90	Shaft, pump input shaft to inner pump gear	1	02-08	35371-47030	95242-67403
C91	Gear, pump (drive) small gear	1	02-08	35351-47030	95242-67700
C92	Gear, pump (driven) large gear	1	02-08	35352-47020	95242-67900
C93	Cover, pump	1	02-08	35308-47030	95242-68103
E95	Body, pump	1	02-08	n/a	95242-68503
HARD PARTS					
A101	Gear, driven sprocket 30T frt 36T rr straight cut (frt case half to rr)	1	02-08	35704-47010	95242-72203
B102	Support, drive sprocket mg 1 cover to drive sprocket	1	02-08	n/a	95242-72503
B103	Chain, drive .818" wide (37 links) driven sprocket gear to drive sprocket	1	02-08	35781-47020	95242-73000
B104	Sprocket, drive 39T drive sprocket support to ring gear	1	02-08	35743-47020	95242-73303
B106	Gear, ring 78T 1.321" 4.954" od 12 ext lugs drive sprkt to ring gear hub	1	02-08	35762-47030	95242-73703
B108	Gear, sun 34 splines 30T rear 1.840" od 2.625" oh mg 1 rotor frt to planet w/shaft	1	02-08	35706-47030	95242-74103
C109	Planetary w/input shaft 21 spl 9 1/2" ol 23T pg (sun gear to ring gear hub)	1	02-08	35710-47030	95242-74503
C110	Hub, ring gear ring gear to front mg 2 rotor	1	02-08	35762-47030	95242-74903
D111	Gear, counter drive w/park 44T frt 26T rr front case half to rear case half	1	02-08	41205-47010	95242-75403
D112	Differential assy front case half to rear case half	1	02-08	n/a	95242-80003
D114	Gear, ring 75T 1.017" 7 3/4" od differential housing 12 bolts	1	02-08	41221-47020	95242-80503
F127	Pan, oil rear case half	1	02-08	n/a	95242-81003
F128	Plate, nut revolution sensor mg 1 to mg 2	2	02-08	n/a	95242-81603
ELECTRICAL COMPONENTS					
F140	Cable, generator assy (front) to mg 1 terminal block	1	02-08	G2148-47030	95242-85100
F140	Cable, generator U (front) to mg 1 terminal block	1	02-08	n/a	95242-85300
F140	Cable, generator V (front) to mg 1 terminal block	1	02-08	n/a	95242-85500
F140	Cable, generator W (front) to mg 1 terminal block	1	02-08	n/a	95242-85700
F141	Cable, generator assy (front) to mg 1 terminal block	1	02-08	n/a	95242-85900
F142	Sensor, revolution w/pig tail apx 9" motor generator 1 cover to nut plate	1	02-08	n/a	95242-86100
F142	Sensor, revolution w/pig tail apx 6" pump body (mg 2 cover) to nut plate	1	02-08	n/a	95242-86300
F143	Cable, motor U (rear) to mg 2 terminal block	1	02-08	n/a	95242-86500
F143	Cable, motor V (rear) to mg 2 terminal block	1	02-08	n/a	95242-86700
F143	Cable, motor W (rear) to mg 2 terminal block	1	02-08	n/a	95242-86900
G144	Stator, motor generator 1 front case half	1	02-08	n/a	95242-87203
G145	Rotor, motor generator 1 front case half to sun gear	1	02-08	n/a	95242-87503
G146	Exciter, revolution sensor mg 1 rotor stop to spacer	1	02-08	n/a	95242-87700
G147	Stator, motor generator 2 rear case half	1	02-08	n/a	95242-87903
G148	Rotor, motor generator 2 ring gear hub to pump body (mg2 cover)	1	02-08	n/a	95242-88103
G149	Exciter, revolution sensor mg 2 rotor stop to spacer	1	02-08	n/a	95242-87700
n/i	Block, terminal (mg 1) front case half	1	02-08	n/a	95242-88400
n/i	Block, terminal (mg 2) rear case half	1	02-08	n/a	95242-88600
n/i	Harness, internal wiring HV generator revolution sensor connector	1	02-08	n/a	95242-89000



JF011E
82230-

ILL	DESCRIPTION	QTY	YEAR	REFERENCE #	PART #
TECHNICAL MANUALS					
K53	Tech manual JF011E dis/assembly diagnosis & troubleshooting	1	07-10	n/a	010-135
REBUILDER KITS					
K5	Master kit w/steels JF011E (JATCO)	1	07-08	AE	82230-11004
K6	Master kit w/o steels JF011E (JATCO)	1	07-10	AE	82230-12004
K7	O/H gasket set w/seals-rings JF011E (JATCO)	1	07-08	n/a	82230-13004
GASKETS AND RUBBER COMPONENTS					
G1	Gasket, pan JF011E (JATCO)	1	07-10	n/a	82230-19004
G15	O'ring oil filter	1	07-10	n/a	82230-22104
METAL CLAD SEALS					
A30	Seal, metal clad front	1	07-10	n/a	82230-30004
G33	Seal, metal clad axle	1	07-10	n/a	82230-30304
G36	Seal, metal clad axle	1	07-10	n/a	82230-30404
SEALING RINGS					
K10	Kit, sealing ring JF011E (JATCO)	1	07-10	n/a	82230-31504
CLUTCH PLATES					
A55	Steel .054" 4.720" id 30T forward clutch	4	07-10	n/a	82230-37504
A56	Friction 059" 5.433" od 36T forward clutch	4	07-10	n/a	82230-35104
C58	Friction .059" 7.027" od 40T reverse clutch	4	07-10	n/a	82230-35304
C59	Steel .055" 6.530" id 12T reverse clutch	4	07-10	n/a	82230-37704
PRESSURE PLATES					
A65	Pressure plate forward clutch	1	07-10	AE	82230-41203
C67	Pressure plate reverse clutch	1	07-10	AE	82230-41403
FILTERS					
K9	Kit, filter JF011E (JATCO)	1	07-10	AE	82230-44004
G70	Filter, main JF011E (JATCO)	1	07-10	n/a	82230-45004
G71	Filter, inline (cartridge type) JF011E (JATCO)	1	07-10	125711B	82230-45104
PUMP PARTS AND PUMPS					
B200	Pump assembly JF011E (JATCO)	1	07-10	AE	82230-67003
HARD PARTS					
A215	Sprocket, pump drive JF011E (JATCO)	1	07-10	AE	82230-72303
A217	Chain, pump drive JF011E (JATCO)	1	07-10	AE	82230-72503
A218	Support, stator JF011E (JATCO)	1	07-10	AE	82230-72703
A220	Shaft, input JF011E (JATCO)	1	07-10	AE	82230-72903
A222	Housing, forward clutch JF011E (JATCO)	1	07-10	AE	82230-73203
A225	Retainer, w/springs forward return	1	07-10	AE	82230-73503
A229	Gear, ring JF011E (JATCO)	1	07-10	AE	82230-74003
C235	Gear, sun forward clutch hub	1	07-10	AE	82230-74603
C236	Planetary, forward JF011E (JATCO)	1	07-10	AE	82230-74803
C240	Retainer, w/springs reverse clutch return	1	07-10	AE	82230-75103
D242	Belt, variable drive JF011E (JATCO)	1	07-10	AE	82230-75503
D252	Pulley, variator #1 JF011E (JATCO)	1	07-10	AE	82230-75603
E264	Gear, transfer drive JF011E (JATCO)	1	07-10	AE	82230-75803
E269	Pulley, variator #2 JF011E (JATCO)	1	07-10	AE	82230-76003
F282	Gear, transfer driven JF011E (JATCO)	1	07-10	AE	82230-76503
F283	Gear, pinion JF011E (JATCO)	1	07-10	AE	82230-76703
F285	Carrier, differential w/spider gears JF011E (JATCO)	1	07-10	AE	82230-77003
F286	Gear, differential ring JF011E (JATCO)	1	07-10	AE	82230-77203
G290	Housing, front case half JF011E (JATCO)	1	07-10	AE	82230-77503
G294	Housing, main case half JF011E (JATCO)	1	07-10	AE	82230-77703
G295	Pan, bottom JF011E (JATCO)	1	07-10	AE	82230-78003
G302	Valve body JF011E (JATCO)	1	07-10	AE	82230-78603
G320	Housing, rear case JF011E (JATCO)	1	07-10	AE	82230-80103
G323	Cooler, oil JF011E (JATCO)	1	07-10	AE	82230-81203

8 Sonnax Kits for Toyota U151E/F, U250E



PROBLEM	SOLUTION	Tool Required	Part Number
<ul style="list-style-type: none"> • Harsh lockup • Converter apply/release complaints 	1. Oversized Secondary Pressure Regulator Valve Kit	F-57917E-TL16 & VB-FIX	57917E-16K*
<ul style="list-style-type: none"> • TCC apply/release problems • Converter codes 	2. Lockup Control Plunger Valve & Sleeve Kit		57917E-03K*
<ul style="list-style-type: none"> • Insufficient line rise in drive ranges • Soft shifts 	3. Boost Valve Kit		27741-01K
<ul style="list-style-type: none"> • Low/High line pressure • Soft and/or harsh shifts 	4. Oversized Pressure Regulator & Boost Valve Kit	57917E-TL8	27741-08K
<ul style="list-style-type: none"> • Harsh/Flare upshifts • TCC slip 	5. Solenoid Modulator Valve Kit	F-27741-TL13 & VB-FIX	27741-13K
<ul style="list-style-type: none"> • Delayed engagements • Slips/Flares in forward gears 	6. Accumulator Piston Kit (Can be used in either of 3 locations)		57917E-19K*
<ul style="list-style-type: none"> • Burned B2 brake/clutch • Delayed reverse 	7. B2 Apply Control Plunger Kit		27741-06K
<ul style="list-style-type: none"> • Burned B1 brake/clutch • 2-3 or 4-3 Bind-up 	8. B1 Apply Control Plunger Kit		27741-04K

*Note: These kits also fit Toyota U140E/F, U240E & U241E valve bodies.

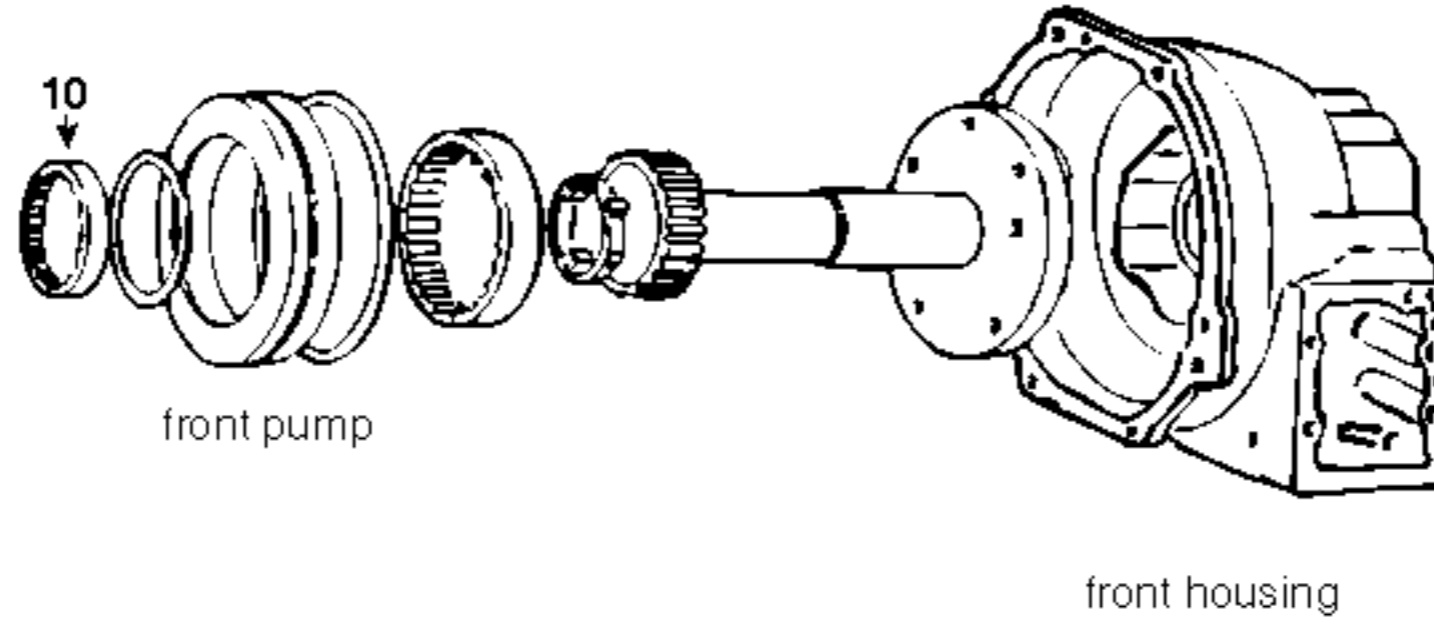
sonnax[®]
 TIME TESTED • INDUSTRY TRUSTED[®]

1 Automatic Drive • P.O. Box 440 • Bellows Falls, VT 05101-0440 USA • 800-843-2600 • 802-463-9722 • F: 802-463-4059 • www.sonnax.com

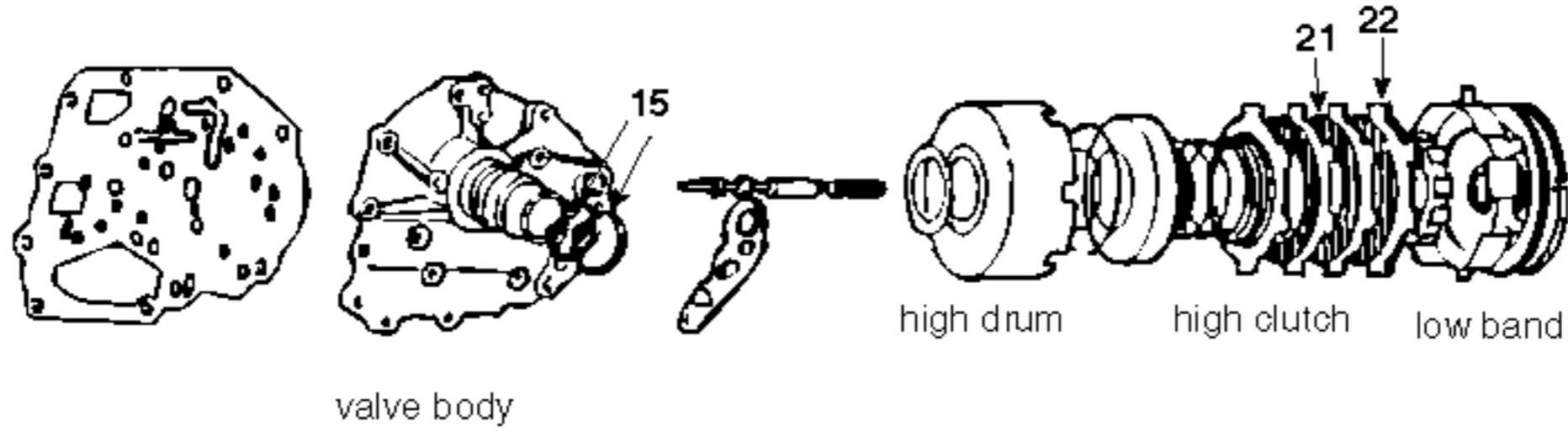
©2010 Sonnax Industries, Inc.



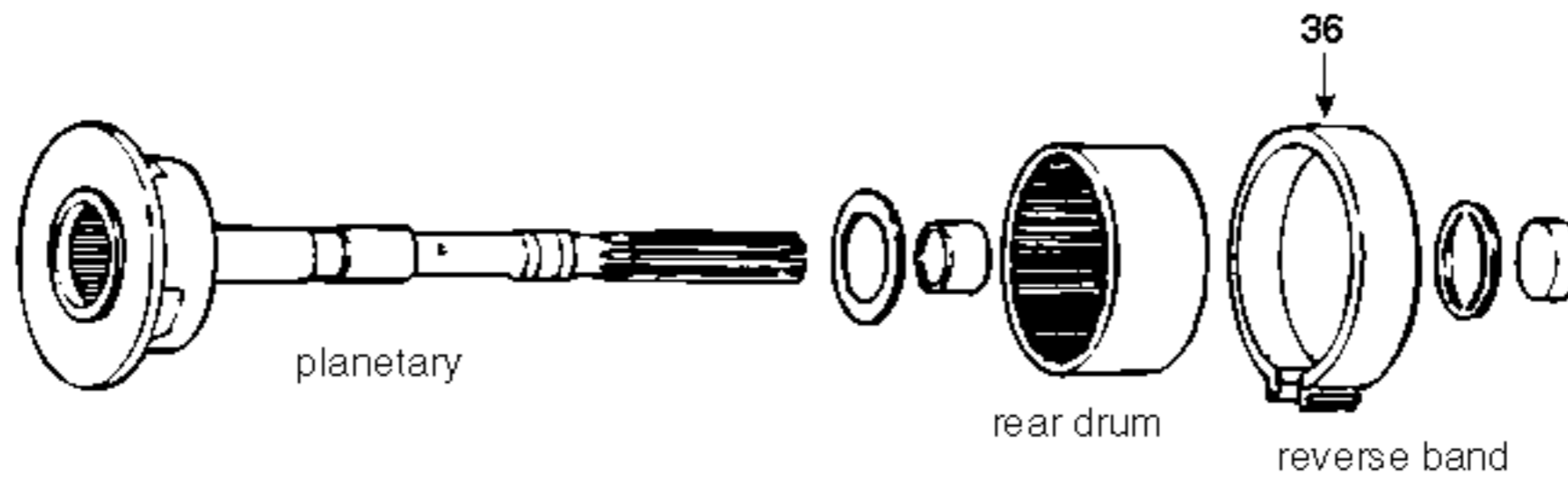
A →



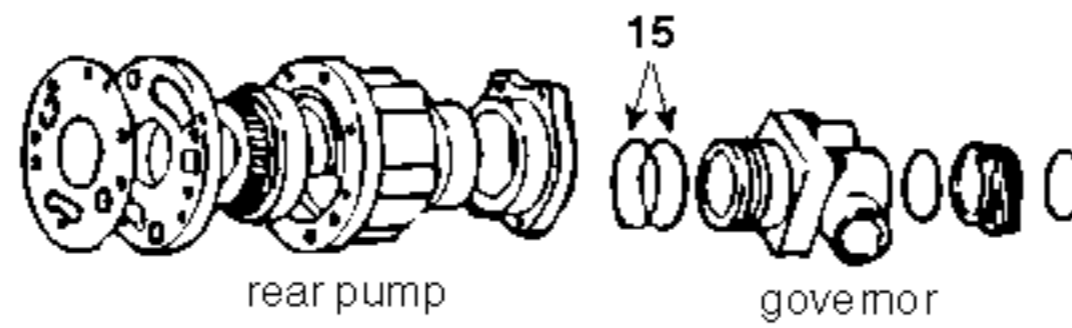
B →



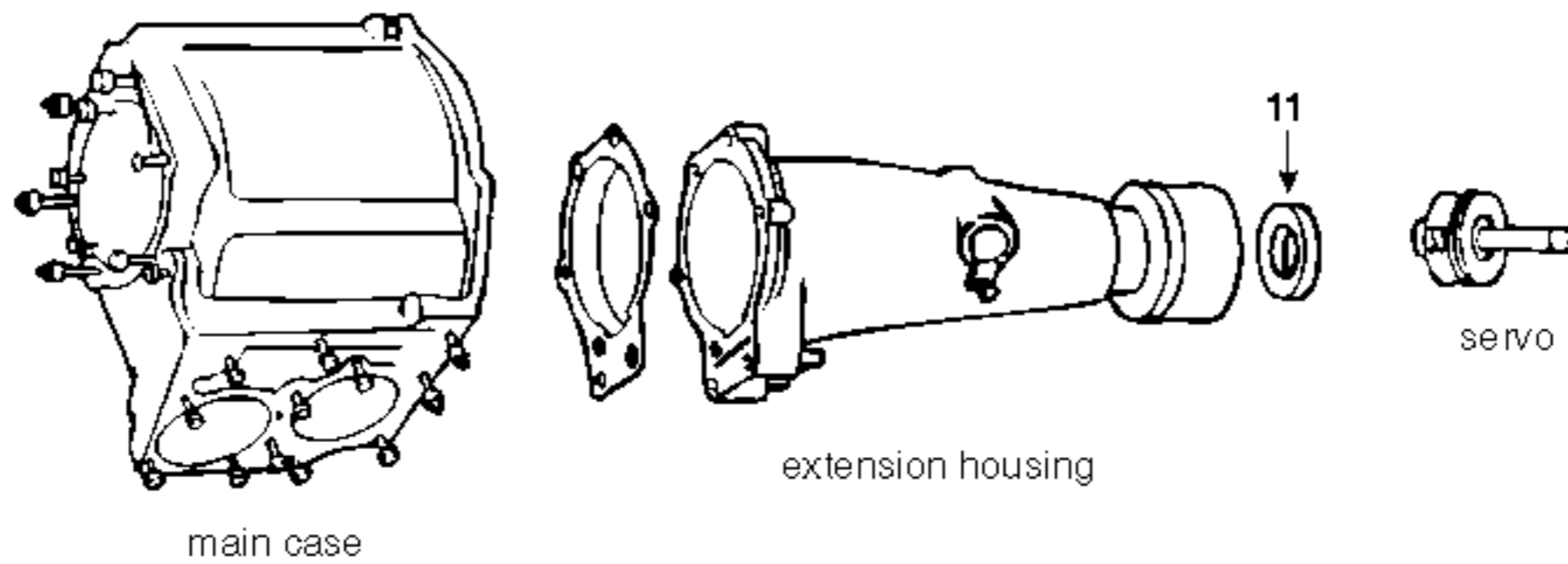
C →



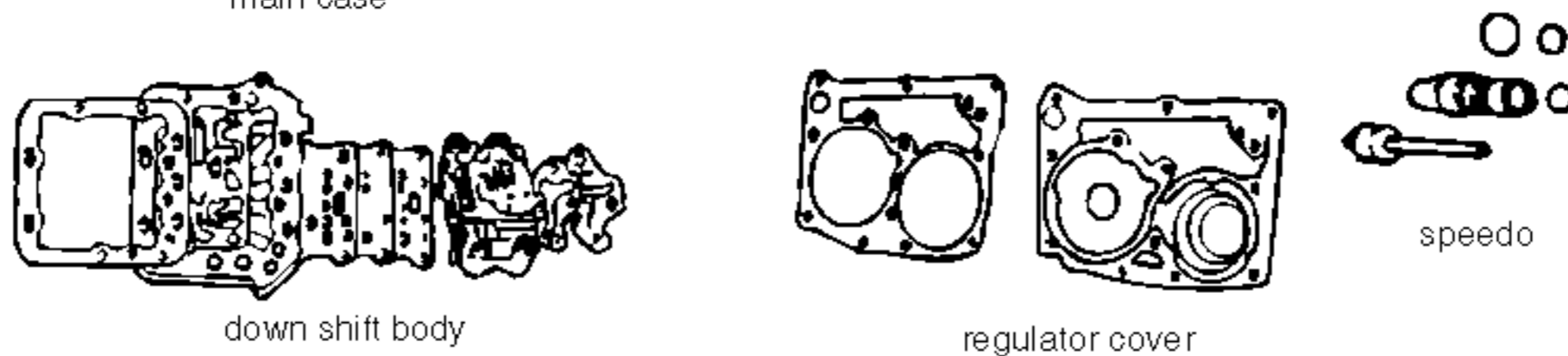
D →



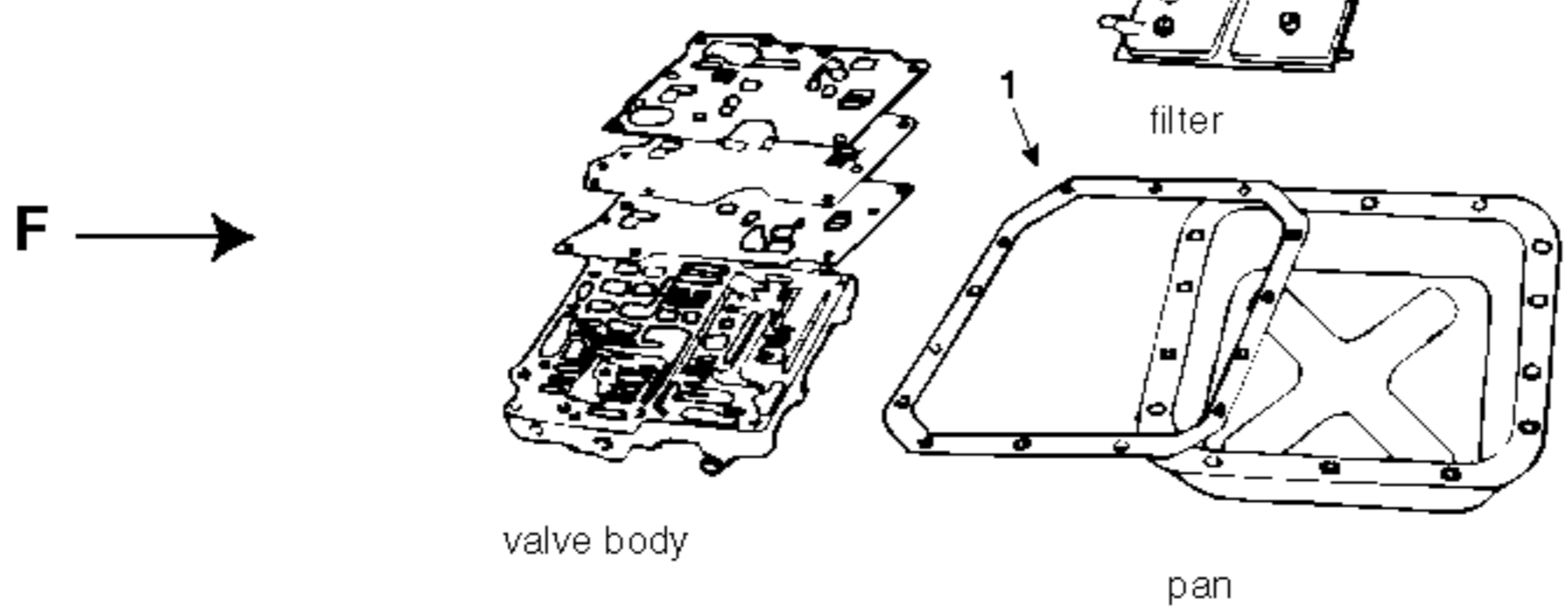
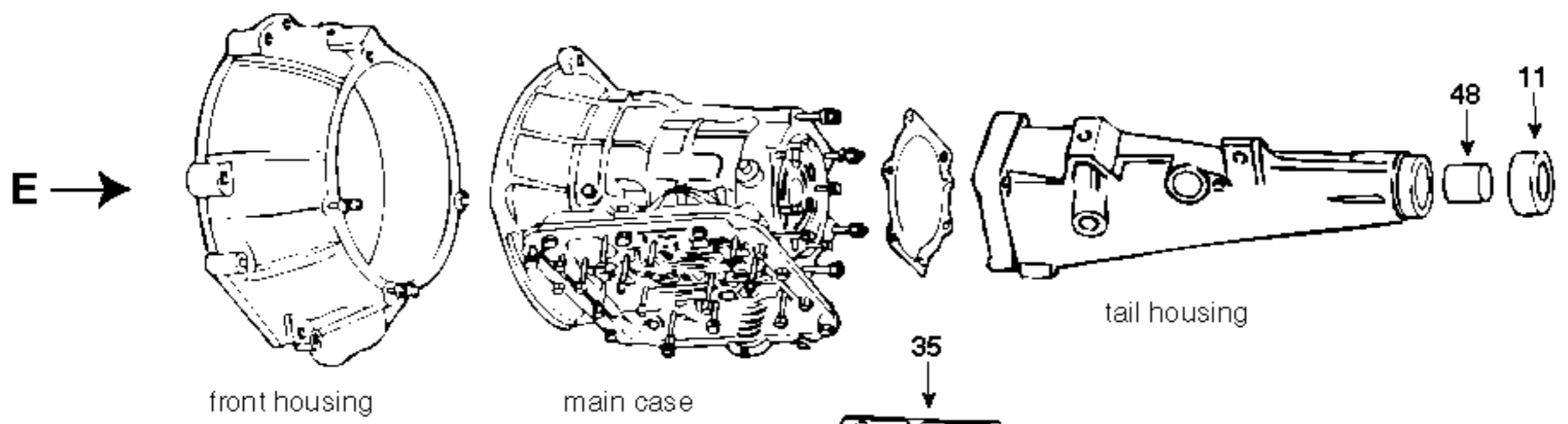
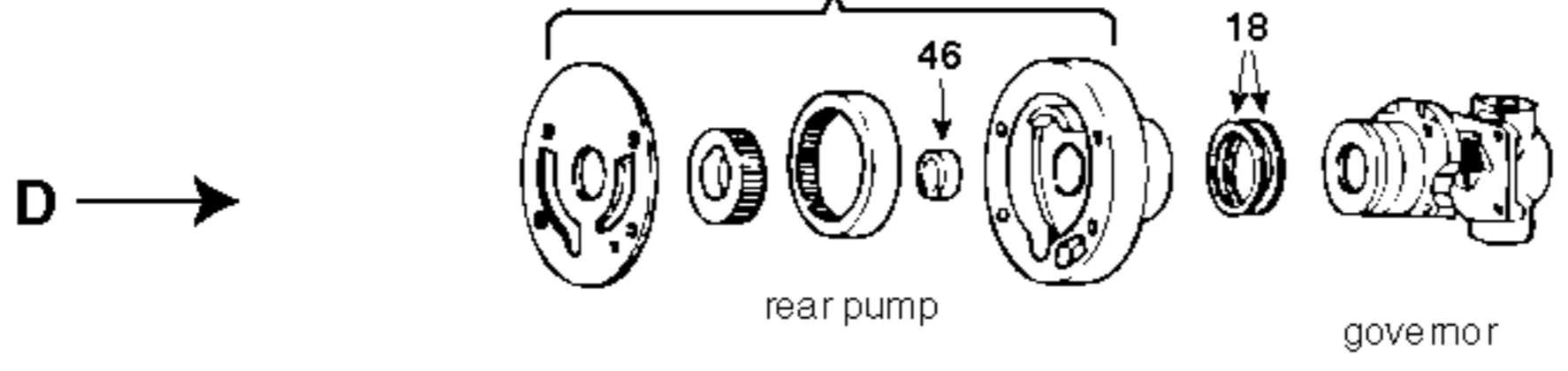
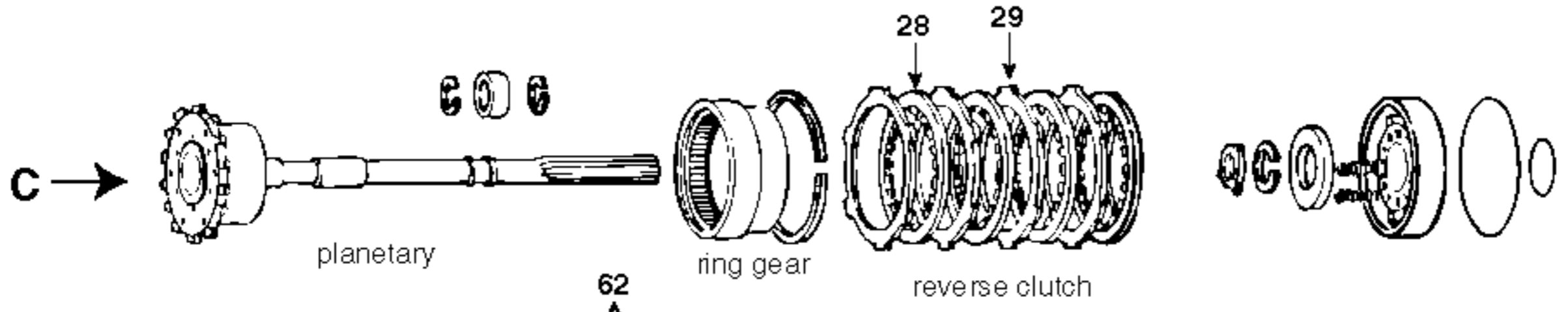
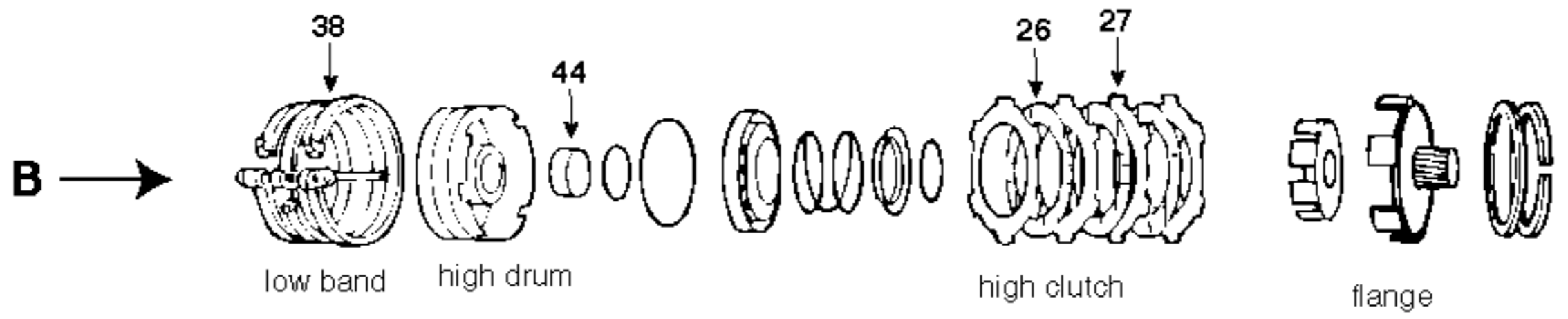
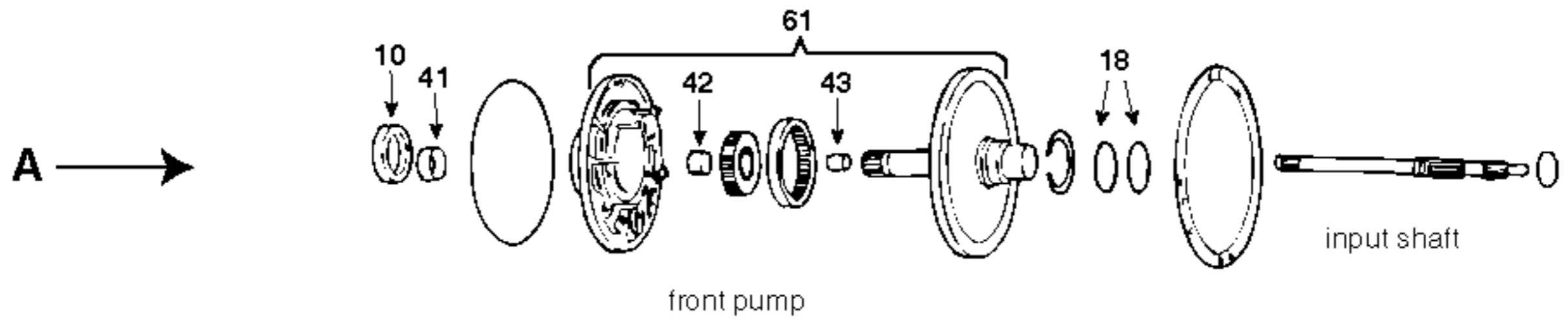
E →



F →

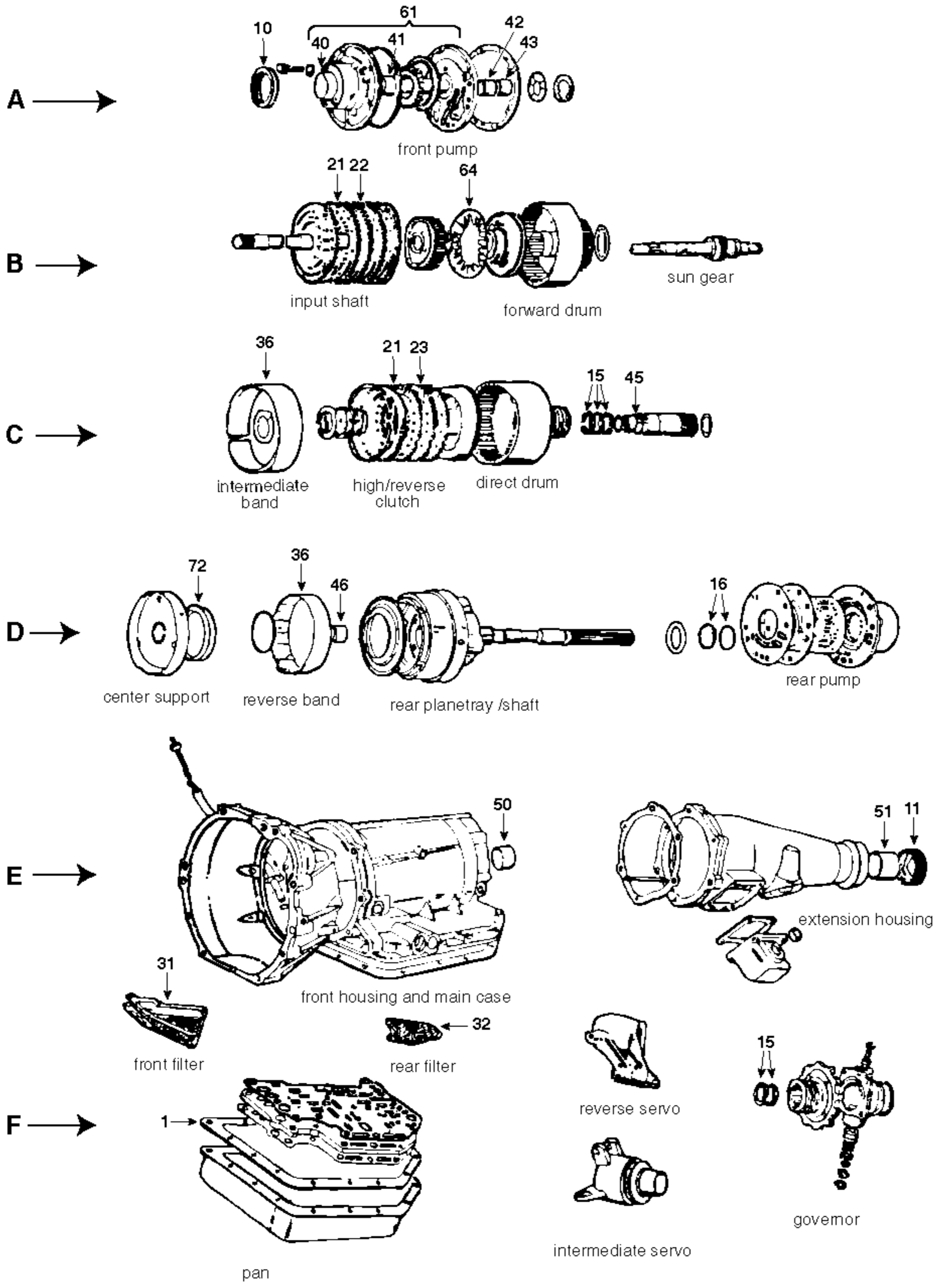


A10
42000



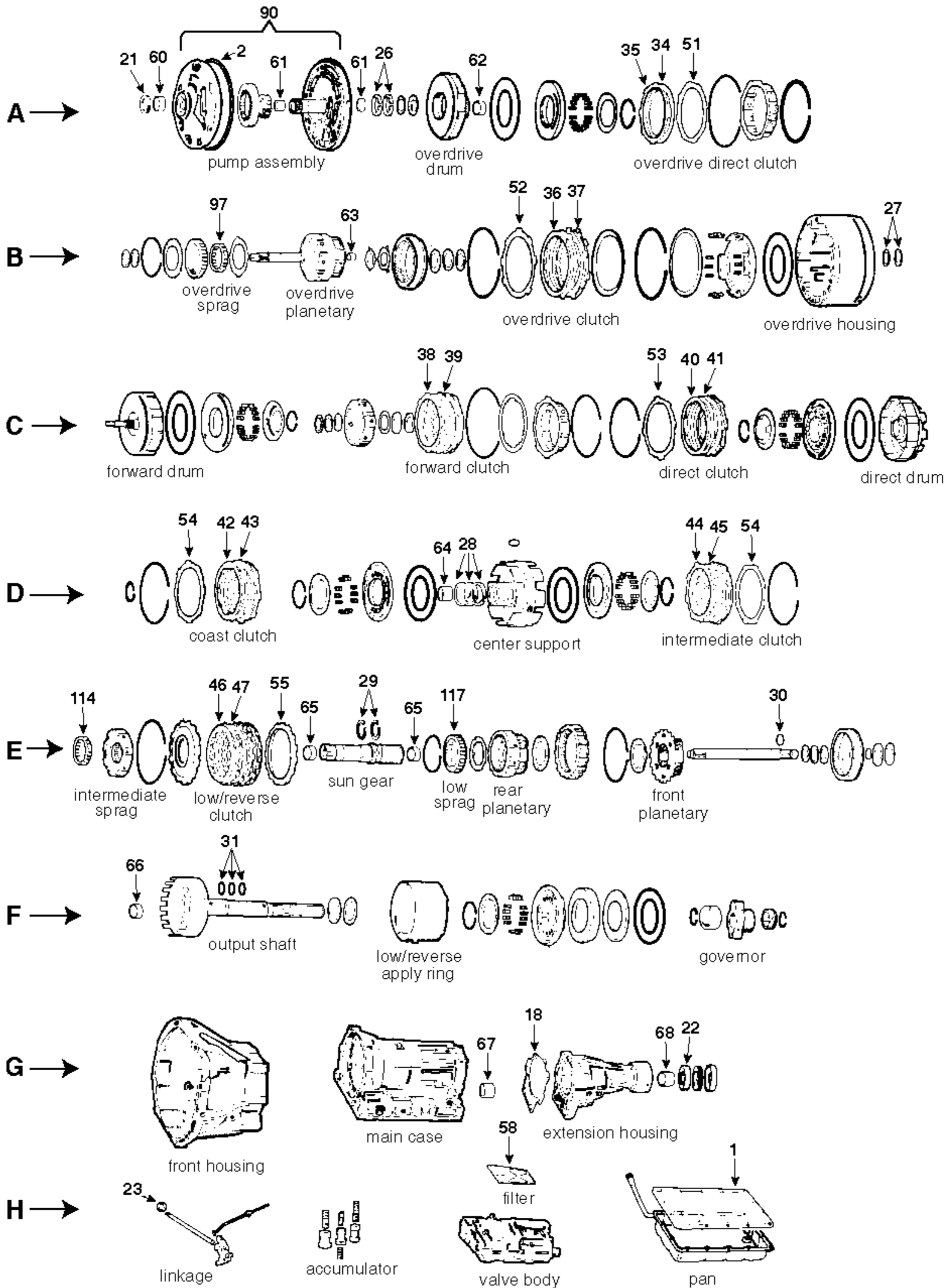
A20
43000

ILL	DESCRIPTION		QTY	YEAR	REFERENCE #	PART #
REBUILDER KITS						
K5	Master kit w/steels	A20	1	70-74	AE	K4300
K6	Master kit w/o steels	A20	1	70-74	AE	K4300-LS
K7	O/H gasket set w/seals-rings	A20	1	70-74	AE	K43900
K11	Gasket and seal kit	A20	1	70-74	AE	K43900-1
GASKETS AND RUBBER COMPONENTS						
F1	Gasket, oil pan	neoprene/cork	1	70-74	35168-12010	13718X
F1	Gasket, oil pan	Duraprene®	1	70-74	35168-12010f	13718D
n/i	O'ring	filler tube/speedo	2	70-74	90301-17006	3410L
n/i	O'ring	speedo gear	1	70-74	90301-09017	3302L
METAL CLAD SEALS						
A10	Seal, metal clad	front pump	1	70-74	90311-42803	43200
E11	Seal, metal clad	extension housing	1	70-74	90311-32024	43201
n/i	Seal, metal clad	manual lever shaft	1	70-74	90311-08004	43202
SEALING RINGS						
K10	Kit, sealing ring	A20	1	70-74	AE	K43300
AD18	Ring, sealing	clutch drum (2) governor (2)	4	70-74	35617-12010	43300
n/i	Ring, sealing	input shaft	1	70-74	35712-12010	43302
n/i	Ring, sealing	low servo piston	1	70-74	35823-20010	43301
CLUTCH PLATES						
B26	Friction .100" 4.234" od 8T	forward clutch	3	70-74	35633-12020	43100
B27	Steel .067" 3.365" id 6T	forward clutch	4/6	70-74	35634-12010	43101
C28	Friction .100" 5.240" od 22T	reverse clutch	4	70-74	35883-12010	43102
C29	Steel .060" 4.570" id 6T	reverse clutch	4/5	70-74	35884-12010	43103
FILTERS						
K9	Kit, filter	neoprene/cork	1	70-74	AE	FK43800
K9	Kit, filter	Duraprene®	1	70-74	AE	DK43800
F35	Filter, screen	A20	1	70-74	35303-22010	43800
BANDS						
B38	Band (split)	low	1	70-74	35810-12011	43700-R
BUSHINGS						
K13	Kit, bushing	A20	1	70-74	AE	K43901
A41	Bushing	front oil pump (body)	1	70-74	90999-73036	43005
A42	Bushing	front oil pump (drive gear)	1	70-74	90999-73037	43006
A43	Bushing (not in kit)	stator shaft	1	70-74	90999-73047	43007
B44	Bushing	clutch drum	1	70-74	90999-73038	43009
n/i	Bushing	planetary w/output shaft	1	70-74	90999-73040	43004
D46	Bushing	rear oil pump (body)	1	70-74	90999-72019	43001
n/i	Bushing	case	1	70-74	90999-73039	43002
E48	Bushing	extension housing	1	70-74	90999-72020	43008
PUMP PARTS AND PUMPS						
A61	Pump assembly	front	1	70-74	AE	43424-R
D62	Pump assembly	rear	1	70-74	AE	43424A-R
NOTES						



A30
44000

ILL	DESCRIPTION		QTY	YEAR	REFERENCE #	PART #
REBUILDER KITS						
K4	Master deluxe rebuild kit	A30	1	68-79	AE	K4400-R
K5	Master kit w/steels	A30	1	68-79	AE	K4400
K6	Master kit w/o steels	A30	1	68-79	AE	K4400-LS
K7	O/H gasket set w/seals-rings	A30	1	68-79	AE	K44900
K11	Gasket and seal kit	A30	1	68-79	AE	K44900-1
GASKETS AND RUBBER COMPONENTS						
F1	Gasket, pan	neoprene/cork	1	68-79	35168-30010	13724X
F1	Gasket, pan	Duraprene®	1	68-79	35768-30010f	13724D
METAL CLAD SEALS						
A10	Seal, metal clad front oil pump	front pump	1	68-79	90311-45084	44200
E11	Seal, metal clad	extension housing	1	68-79	90311-38005	42201A
n/i	Seal, metal clad	throttle lever shaft	1	68-79	90311-08044	42202
n/i	Seal, metal clad	manual lever shaft (2) park lock rod (1)	3	68-79	90311-10082	44202
SEALING RINGS						
K10	Kit, sealing ring	A30	1	68-79	AE	K44300
n/i	Ring, sealing	front clutch hub	2	68-79	35642-30011	44300
CF15	Ring, sealing	rear clutch (3) governor (2)	5	68-79	35323-31011	42300
D16	Ring, sealing	planetary w/output shaft	2	68-79	35735-30010	44302
CLUTCH PLATES						
BC21	Friction .102" 4.240" od 39T	forward clutch (4) direct clutch (3)	7	68-79	35633-30010	44100
B22	Steel .063" 3.354" id 44T	forward clutch	3	68-79	35634-30020	44102
B22	Steel .054" 3.354" id 44T	forward clutch	1	68-79	35634-30040	44102A
B22	Steel .070" 3.354" id 44T	forward clutch	ar	68-79	35634-30050	44102B
C23	Steel .067" 3.354" id 44T	direct clutch	6	68-79	35674-30010	44101
FILTERS						
K9	Kit, filter (w/front/rear filter screens)	neoprene/cork	1	68-79	AE	FK44800
K9	Kit, filter (w/front/rear filter screens)	Duraprene®	1	68-79	AE	DK44800
F31	Filter	front	1	68-79	35303-30013	44800F
F32	Filter	rear	1	68-79	35306-30011	44800R
BANDS						
CD36	Band	front/rear	2	68-79	35801-40020	44700
BUSHINGS						
K13	Kit, bushing	A30	1	68-79	AE	K44901
A40	Bushing	front (pump body)	1	68-79	n/a	44005
A41	Bushing	front pump (drive gear)	1	68-79	n/a	44012
A42	Bushing	stator support (front inside)	1	68-79	n/a	44013
A43	Bushing	stator support (rear)	1	68-79	n/a	44014
n/i	Bushing	input shaft	1	68-79	n/a	44001
C45	Bushing	sun gear	1	68-79	n/a	44009
D46	Bushing	planetary housing	1	68-79	n/a	44008
n/i	Bushing	planetary (large) to center support	1	68-79	n/a	44003
n/i	Bushing	planetary output shaft (inside)	1	68-79	n/a	44010
n/i	Bushing	rear pump plate	1	68-79	n/a	44002
E50	Bushing	case (rear)	1	68-79	n/a	44004
E51	Bushing	extension housing	1	68-79	90999-73035	42008
PUMP PARTS AND PUMPS						
A61	Pump assembly	front	1	68-79	AE	44424-R
HARD PARTS						
B64	Spring, diaphragm	front clutch	1	68-79	35618-30011	19218A
SPRAGS						
D72	Sprag	low assembly (in planetary)	1	68-79	35790-30010	19317



A40/A41/A42/AW70/A44D/AW71/A44DL/A44DE/A46DE

46000/A/D/E/F/G/J/K

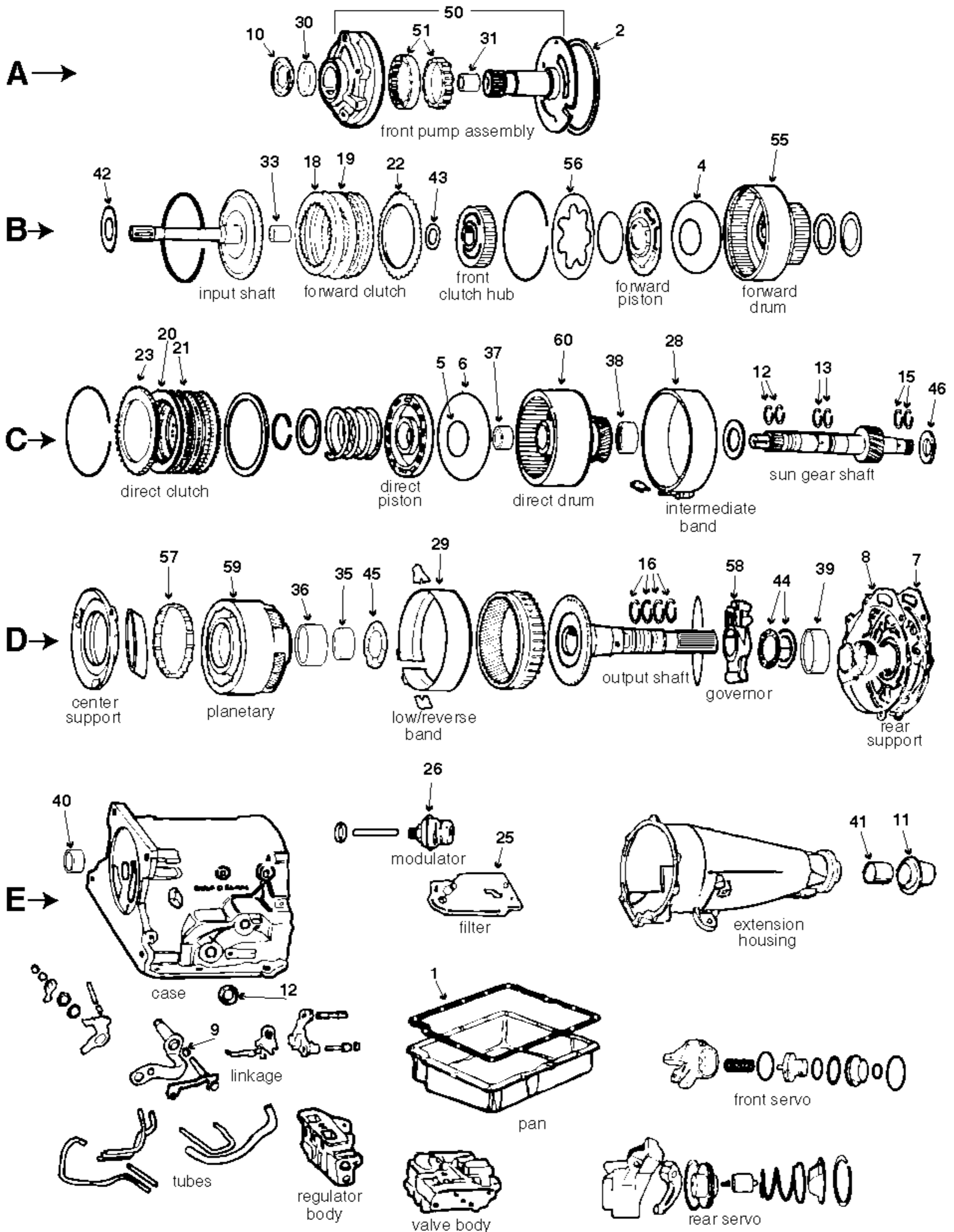
ILL	DESCRIPTION	QTY	YEAR	REFERENCE #	PART #
TECHNICAL MANUALS					
K53	Tech manual A40 series dis/assembly	1	72-06	83-TOY40TM	010-401
REBUILDER KITS					
K5	Master kit w/steels-3 speed	1	73-86	AE	K4600
K5	Master kit w/steels-3 speed	1	74-84	AE	K4600A
K5	Master kit w/steels-4 speed	1	77-85	AE	K4600D
K5	Master kit w/steels-4 speed	1	81-87	AE	K4600E
K5	Master kit w/steels-4 speed	1	88-94	AE	K4600F
K5	Master kit w/steels-4 speed	1	95-06	AE	K4600G
K5	Master kit w/steels-4 speed	1	82-06	AE	K4600J
K5	Master kit w/steels-4 speed	1	91-06	AE	K4600K
K6	Master kit w/o steels-3 speed	1	72-86	AE	K4600-LS
K6	Master kit w/o steels-3 speed	1	74-84	AE	K4600A-LS
K6	Master kit w/o steels-4 speed	1	77-85	AE	K4600D-LS
K6	Master kit w/o steels-4 speed	1	81-87	AE	K4600E-LS
K6	Master kit w/o steels-4 speed	1	88-94	AE	K4600F-LS
K6	Master kit w/o steels-4 speed	1	95-06	AE	K4600G-LS
K6	Master kit w/o steels-4 speed	1	82-06	AE	K4600J-LS
K6	Master kit w/o steels-4 speed	1	91-06	AE	K4600K-LS
K7	O/H gasket set w/seals-rings-3 speed	1	72-86	AE	K46900
K7	O/H gasket set w/seals-rings-3 speed	1	74-84	AE	K46900A
K7	O/H gasket set w/seals-rings-4 speed	1	77-06	AE	K46900D
K7	O/H gasket set w/seals-rings-4 speed	1	82-06	AE	K46900F
K11	Gasket and seal kit-3 speed	1	72-86	AE	K46900C-1
K11	Gasket and seal kit-3 speed	1	74-84	AE	K46900A-1
K11	Gasket and seal kit-4 speed	1	82-06	AE	K46900F-1
GASKETS AND RUBBER COMPONENTS					
H1	Gasket, oil pan	1	72-06	35168-22011	13400X
H1	Gasket, oil pan	1	72-06	35168-22011F	13400D
A2	D'ring	1	72-79	35147-22010	13401
A2	O'ring	1	79-06	90301-99010	13401A
G18	Gasket, extension housing	1	72-06	35182-22010	13402
n/i	Gasket, filter	1	72-06	045-504-5007	13407
n/i	Gasket, filter	1	77-85	35339-30030	13407A
n/i	Gasket, filter	1	79-06	35339-30050	13407D
n/i	Gasket, filter	1	83-06	35339-30060	13407C
n/i	Gasket, filter	1	81-06	35339-14010	13407B
n/i	O'ring	1	72-06	90301-18018	3547L
n/i	O'ring	2	72-06	90301-09173	13103
n/i	O'ring	1	77-06	90301-99006	13408
n/i	Gasket set, valve body	1	79-06	n/a	13421
n/i	Gasket set, valve body	1	77-85	n/a	13422
n/i	Gasket set, valve body	1	81-06	n/a	13423
n/i	Gasket set, valve body	1	83-06	n/a	13424
METAL CLAD SEALS					
A21	Seal, metal clad	1	72-06	90311-38020	46200
G22	Seal, metal clad	1	72-06	90311-38040	42201A
G22	Seal, metal clad 1.950" od (not in kit)	1	74-93	235728-3	47201A
G22	Seal, metal clad 2.170" od (not in kit)	1	94-97	3549226-3	46201
G22	Seal, metal clad (not in kit)	1	81-85	5-09625-009-0	46204
G22	Seal, metal clad (not in kit)	1	86-95	8-94155-673-0	46205
G22	Seal, metal clad	1	87-89	MD951482	46206
G22	Seal, metal clad (not in kit)	1	98-06	BV8B-17-355	46207
H23	Seal, metal clad 12x22x7mm	2	73-06	90311-11128	46202

A40•A41•A42•AW70•AW71•A44D•A44DL•A44DE•A46DE

A40•A41•A42•AW70•71•A44D•DL•DE•A46DE

ILL	DESCRIPTION	QTY	YEAR	REFERENCE #	PART #	
METAL CLAD SEALS (CONTINUED)						
n/i	Seal, metal clad	4WD (adapter housing)	1	87-89	MD609235	46208
n/i	Seal, metal clad (not in kit)	Suzuki sidekick 4WD (adapter housing)	1	87-89	29792-57B01	46209
n/i	Seal, metal clad	Toyota (speedo gear shat)	1	79-04	90310-09001	46203
n/i	Seal, metal clad	Volvo (speedo gear shaft)	1	74-97	380192-5	46210
SEALING RINGS						
K10	Kit, sealing ring	3 speed (except below)	1	73-86	AE	K46300
K10	Kit, sealing ring	BW55	1	74-84	AE	K46300A
K10	Kit, sealing ring-combo early and late	4 speed	1	77-06	AE	K46300B
K10	Kit, sealing ring	4 speed	1	82-06	AE	K46300D
A26	Ring, sealing	3 speed (stator support)	2	73-81	35617-22010	46300
A26	Ring, sealing	4 speed (stator support)	2	77-81	35617-22020	46301
A26	Ring, sealing (metal)	all (stator support)	2	82-06	35617-16010	62301
B27	Ring, sealing	4 speed (overdrive housing)	2	77-81	35617-22020	46301
B27	Ring, sealing (metal)	all (overdrive housing)	2	81-06	35617-16010	62301
D28	Ring, sealing	4 speed (center support)	3	73-81	35617-22020	46301
D28	Ring, sealing (metal)	all (center support)	3	82-06	35617-16010	62301
E29	Ring, sealing	BW55 (sun gear shaft)	2	74-84	0445-016-002A	46304
E29	Ring, sealing (hook joint)	inside rear cl retainer (sun gear shaft)	2	73-06	35749-22010	2823K
E29	Ring, sealing	all A43 and A46 series (sun gear shaft)	2	81-06	35749-30010	46305
E30	Ring, sealing (not in kit)	4 speed (intermediate shaft)	1	77-06	35748-30010	46306T
F31	Ring, sealing	output shaft/governor	3	73-06	35735-22010	46302
CLUTCH PLATES						
A34	Friction .091" 5.0" id 24T	overdrive direct	1/2	77-06	35677-22030	46100
A35	Steel .071" 4.0" id 8T (short)	overdrive direct	2/3	77-79	35634-22070	46101
A35	Steel .079" 4.0" id 8T (short)	overdrive direct	2/3	80-06	35634-30070	46101A
A35	Steel, dished (not in kit)	A46DE (overdrive direct)	1	91-06	34618-30010	46117
B36	Friction .091" 5.0" id 24T	A40D/A42D/AW70 (overdrive brake)	2/3	77-06	35677-22020	46100
B36	Friction .091" 5.590" od 44T	overdrive brake (except above)	3	81-83	35677-30010	46105
B36	Friction .067" 5.590" od 33T (thin paper)	overdrive brake (except above)	3	84-06	35677-30040	75102
B37	Steel .071" 4.0" id 8T (long)	A40D/A42D/AW70	2/3	77-06	35634-22090	46102
B37	Steel .079" 4.6" id 7T	overdrive brake (except above)	3	81-06	35634-30080	46107A
B37	Steel .091" 4.6" id 7T	overdrive brake	ar	81-06	35634-30010	46107B
C38	Friction .091" 5.0" id 24T	forward (front)	3/4	73-06	35677-30030	46100
C38	Friction .079" 5.0" od 24T	A46DE/A43D (forward front)	4/5	91-06	35677-22060	46100A
C39	Steel .071" 4.0" id 8T (short)	forward (front)(except below)	3/4	73-06	35634-22070	46101
C39	Steel .079" 4.0" id 8T (short)	A46DE (forward front)	3/4	80-06	35634-30070	46101A
C39	Steel .055" 4.0" id 8T (short)	Previa A46DE (forward front)	1	91-06	35634-30090	46113
C39	Steel .091" 4.0" id 8T (short)	A46DE (forward front)	ar	91-06	35634-30120	46114
C40	Friction .091" 5.0" id 24T	direct (rear)	2/3	73-06	35677-30020/30	46100
C41	Steel .071" 4.0" id 8T (short)	direct (rear)	2/3	73-06	35634-22070	46101
C41	Steel .079" 4.0" id 8T (short)	direct (rear)	ar	80-06	35634-30070	46101A
D42	Friction .091" 5.0" id 24T	overrun brake (B1)	1/3	73-06	35677-30030	46100
D43	Steel .071" 4.0" id 8T (long)	A40D/A42D/AW70 (overrun brake B1)	1/3	73-06	35634-22090	46102
D43	Steel .079" 4.0" id 8T (long)	overrun brake (B1)	ar	80-06	35648-30010	46112
D44	Friction .091" 5.0" id 24T	intermediate brake (B2)	2/3	73-06	35677-22050	46100
D44	Friction .079" 5.0" od 24T	intermediate brake (B2)	2/3	91-06	35677-22060	46100A
D45	Steel .071" 4.0" id 8T (long)	intermediate brake (B2)	2/4	73-87	35634-22090	46102
D45	Steel .091" 4.0" id 8T (long)	intermediate brake (B2)	3	88-06	35648-30020	46101C
D45	Steel .079" 4.0" id 8T (long)	intermediate brake (B2)	ar	80-06	35648-30010	46112
D45	Steel .118" 4.0" id 8T (long)	intermediate brake (B2)	ar	80-06	35648-22010	46108
E46	Friction .091" 5.0" id 16T	low/reverse brake (B3)	4/5	73-06	35633-30030	46103
E47	Steel .071" 4.0" id 15T	low/reverse brake (B3)	4/5	73-06	35634-22080	46104

ILL	DESCRIPTION		QTY	YEAR	REFERENCE #	PART #
PRESSURE PLATES						
A51	Pressure plate .100" 8T (short)	overdrive brake	1	77-06	35615-30010	46717-R
B52	Pressure plate 8T (long)	overdrive brake	sel	77-06	34625-30020	46718-R
B52	Pressure plate 7T	overdrive brake	1	81-06	34625-22010	46719-R
C53	Pressure plate .155" 8T (short)	short direct clutch	1	73-06	35675-22140	46716-R
D54	Pressure plate 8T (long)	overrun and intermediate clutch	1/2	73-06	35625-22010	46714-R
E55	Pressure plate 15T	low/reverse brake	1	73-06	35639-22010	46715-R
FILTERS						
K9	Kit, filter	all 3 speed (neoprene/cork)	1	73-86	AE	FK46800
K9	Kit, filter	all 3 speed (Duraprene®)	1	73-86	AE	DK46800
K9	Kit, filter	A40D (neoprene/cork)	1	77-85	AE	FK46800A
K9	Kit, filter	A40D (Duraprene®)	1	77-85	AE	DK46800A
K9	Kit, filter	A42D/A43D/A44D/AW70/AW71 (neoprene/cork)	1	79-06	AE	FK46800D
K9	Kit, filter	A42D/A43D/A44D/AW70/AW71 (Duraprene®)	1	79-06	AE	DK46800D
K9	Kit, filter	all DL models (neoprene/cork)	1	81-06	AE	FK46800B
K9	Kit, filter	all DL models (Duraprene®)	1	81-06	AE	DK46800B
K9	Kit, filter	all DE models (neoprene/cork)	1	83-06	AE	FK46800C
K9	Kit, filter	all DE models (Duraprene®)	1	83-06	AE	DK46800C
H58	Filter	all 3 speed	1	73-86	35303-22020	46800
H58	Filter	A40D	1	77-85	35303-30031	46800A
H58	Filter	A42D/A43D/A44D/AW70/AW71	1	79-06	35303-30050	46800D
H58	Filter	all DL/DF models	1	81-06	35303-14010	46800B
H58	Filter	all DE models	1	83-06	35303-30060	46800C
BUSHINGS						
K13	Kit, bushing complete	A40/A40D (9 pieces)	1	73-06	AE	K46901
A60	Bushing	pump body	1	73-06	n/a	46001
A61	Bushing 21.501mm bore 9.5mm	stator support (front/rear)	2	73-06	n/a	46007
A61	Bushing 17mm 21.561mm bore	stator support (front/rear) (not in kit)	2	80-06	n/a	46007A
A62	Bushing 25.38mm bore (not in kit)	40D/42/43 overdrive sun gear	1	77-06	n/a	46010
B63	Bushing 11.2mm bore (not in kit)	A40D/42/43 overdrive input shaft	1	77-06	n/a	46011
D64	Bushing 36.386mm bore	center support	1	73-06	n/a	46004
E65	Bushing 21.501mm bore 9.5mm	sun gear shaft front and rear	2	73-06	n/a	46007
F66	Bushing 18.011mm bore 9.7mm	output shaft	1	73-06	n/a	46005
G67	Bushing (babbitt) 38.113mm bore	case (rear)	1	73-06	n/a	12502
G68	Bushing w/38mm yoke	extension housing (Toyota only)	1	73-06	n/a	46006
G68	Bushing w/35mm yoke (not in kit)	extension housing (Toyota only)	1	73-06	n/a	46006A
G68	Bushing 1 5/16" od	Volvo/Datsun extension housing	1	73-06	235878-6	19002X
PUMP PARTS AND PUMPS						
A90	Complete, pump	A40 3 speed	1	73-86	n/a	46424-R
HARD PARTS						
n/i	Cable repair end	fixes bottom end of most cables	1	73-06	AE	96-198
SPRAGS						
B97	Sprag (18 elements)	overdrive	1	77-89	35791-30020	46502
B97	Sprag (20 elements)	overdrive	1	90-06	35791-30030	46502A
B97	Sprag (22 elements)	overdrive	1	89-06	35791-28010	46502B
E114	Sprag (18 elements)	intermediate	1	73-06	35791-30020	46502
E117	Sprag (20 elements)	low	1	73-86	35792-20010	46503
E117	Sprag (26 elements) .318"	low (all except below)	1	81-06	35792-30011	46503B
E117	Sprag (26 elements) .402"	A44/A45 series (low)	1	84-06	35792-30030	46503C
NOTES						

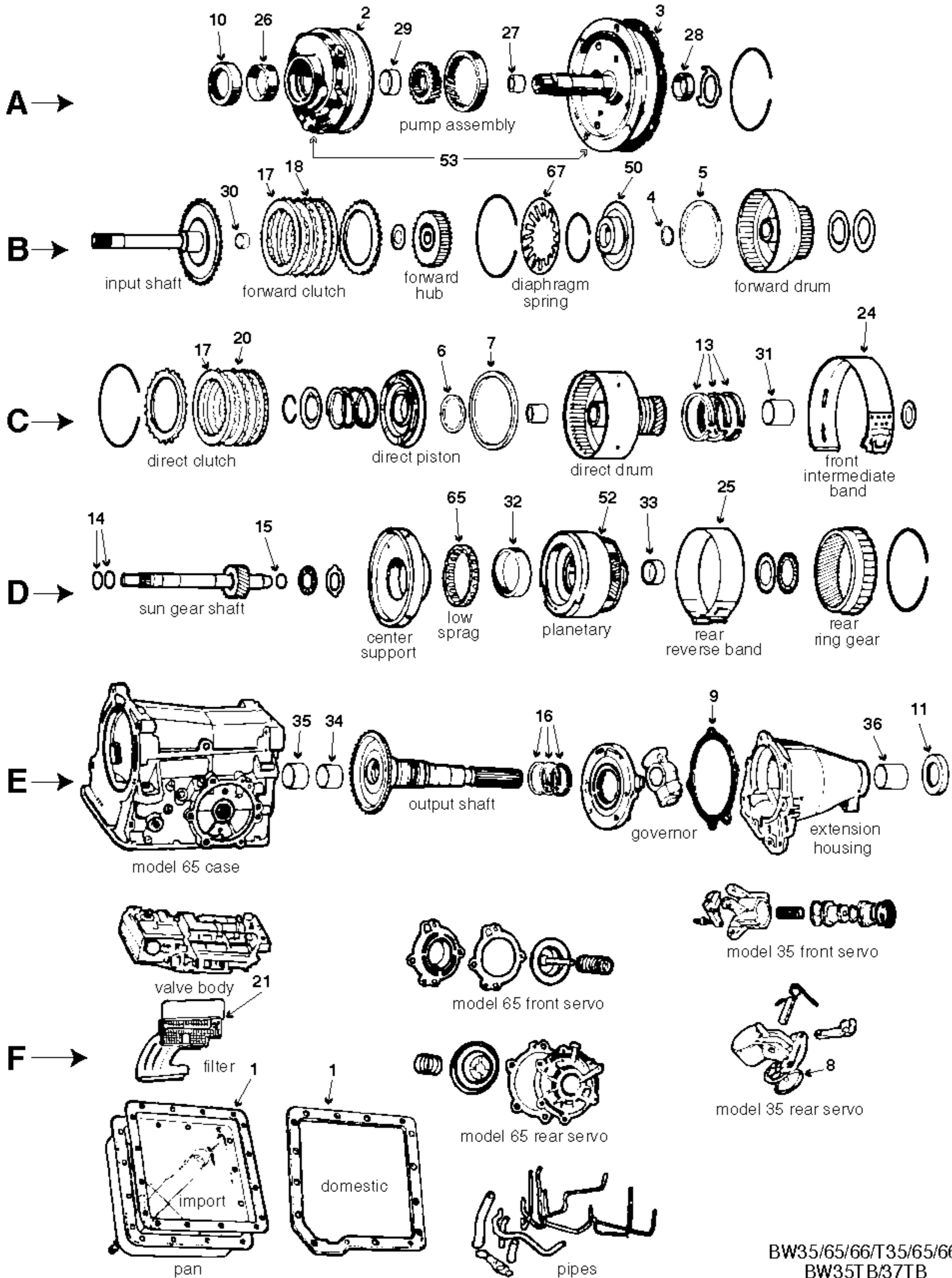


FMX/CW/BW8/BW12/R12
600M/N/W

ILL	DESCRIPTION	QTY	YEAR	REFERENCE #	PART #
REBUILDER KITS					
K4	Master deluxe rebuild kit	1	68-81	AE	K600M-R
K5	Master kit w/steels	1	55-67	AE	K600W
K5	Master kit w/steels	1	51-67	AE	K600V
K5	Master kit w/steels	1	67-72	AE	K600R
K5	Master kit w/steels	1	67-74	AE	K600N
K5	Master kit w/steels	1	68-81	AE	K600M
K6	Master kit w/o steels	1	55-67	AE	K600W-LS
K6	Master kit w/o steels	1	51-67	AE	K600V-LS
K6	Master kit w/o steels	1	67-72	AE	K600R-LS
K6	Master kit w/o steels	1	67-74	AE	K600N-LS
K6	Master kit w/o steels	1	68-81	AE	K600M-LS
K7	O/H gasket set w/seals-rings	1	55-67	AE	K6900W
K7	O/H gasket set w/seals-rings	1	51-67	AE	K6900V
K7	O/H gasket set w/seals-rings	1	67-74	AE	K6900N
K7	O/H gasket set w/seals-rings	1	68-81	AE	K6900M
K8	Kit, external seal	1	68-81	AE	K6900M-2
K11	Gasket and seal kit	1	51-67	AE	K6900V-1
K11	Gasket and seal kit	1	55-67	AE	K6900U-1
K11	Gasket and seal kit	1	67-74	AE	K6900N-1
K11	Gasket and seal kit	1	68-81	AE	K6900M-1
VALVE BODY KITS					
K15	Shift Kit®	1	67-72	SK® 3-67	K6253C
K15	Shift Kit®	1	73-81	SK® 3-73	K6253D
K15	Reprogramming Kit™	1	68-72	37-2	37-1
K15	Reprogramming Kit™	1	73-81	33-2	33-1
GASKETS AND RUBBER COMPONENTS					
E1	Gasket, oil pan	1	51-81	B5AZ-7A191-B	3565LX
E1	Gasket, oil pan	1	51-81	B5AZ-7A191-B	3565D
E1	Gasket, oil pan	1	55-72	B5SZ-7A191-B	3610LX
E1	Gasket, oil pan	1	55-72	B5SZ-7A191-B	3610D
E1	Gasket, oil pan	1	61-65	C1VP-7A191-B	3741LX
A2	Seal, lathe cut	1	51-81	B1AZ-7A136-A	3666
B4	Seal, lathe cut	1	68-81	D1AZ-7A548-A	13312
C5	Lip seal	1	68-81	C8AZ-7E212-A	13286
C6	Lip seal	1	68-81	C8AZ-7C051-A	13285
D7	Gasket	1	56-66	3150992	13297
D7	Gasket	1	67-71	3186571	13298
D7	Gasket	1	68-81	D2AZ-7086-A	13283A
D8	Gasket	1	68-81	C8AZ-7A222-A	13284
E9	O'ring	1	68-81	386078-S	3499L
n/i	O'ring	1	68-81	87036-S94	3410L
METAL CLAD SEALS					
A10	Seal, metal clad (w/o flange)	1	68-81	C2AZ-7A248-A	16601B
A10	Seal, metal clad	1	51-74	3151007	6550C
E11	Seal, metal clad 60x38x10mm (w/boot)	1	51-67	D5AZ-7052-B	16695E
E11	Seal, metal clad 60x38x12mm	1	51-68	D5AZ-7052-BNF	8850B
E11	Seal, metal clad (w/flange w/o boot)	1	55-68	D5AZ-7052-ANB	4743C
E11	Seal, metal clad (w/boot)	1	56-81	D5AZ-7052-A	16695C
E11	Seal, metal clad	1	61-65	C6VY-7052-A	6557G
E11	Seal, metal clad	1	65-67	B3TZ-7A011-A	6557M
E12	Seal, metal clad	1	51-81	C7AZ-7B498-A	6507A

ILL	DESCRIPTION	QTY	YEAR	REFERENCE #	PART #
SEALING RINGS					
K10	Kit, sealing ring (metal)	1	68-81	AE	K6909C
K10	Kit, sealing ring (metal)	1	51-71	AE	K6909
K10	Kit, sealing ring (metal)	1	55-68	AE	K6909A
K10	Kit, sealing ring (metal)	1	58-65	AE	K6909B
K10	Kit, sealing ring (metal)	1	67-71	AE	K6909C
C12	Ring, sealing	2	51-81	IP-77542-A	6230
C12	Ring, sealing	2	55-71	B5SZ-77542-A	6230A
C13	Ring, sealing	2	51-81	C0AZ-7C169-A	6231
C13	Ring, sealing	2	55-71	B5SZ-7C169-A	7516
C15	Ring, sealing	2	51-81	IP-77543-B	6235
D16	Ring, sealing (metal)	4	68-81	C6AZ-7D019-B	36401
D16	Ring, sealing (metal)	4	51-67	IP-77883-A	6245
CLUTCH PLATES					
B18	Friction .060" 5.250" od 45T (grooved)	4/5	51-81	C9AZ-7B164-A	6204G
B18	Friction .062" 5.250" od 45T	4/5	56-71	B5AZ-7B164-B	6204M
B18	Friction .078" 5.250" od 45T (waffle)	ar	67-81	C9AZ-7B164-D	6204P
B19	Steel .068" 3.903" id 54T (flat)	3/4	51-81	C8AZ-7B442-A	6205
B19	Steel .090" 3.903" id 54T (oversized)	ar	68-81	C2AZ-7B442-A	6222B
C20	Friction .062" 5.250" od 45T	4/5	56-71	B5AZ-7B164-B	6204M
C20	Friction .095" 5.250" od 45T	5	56-66	C2AZ-7B164-A	6221G
C20	Friction .079" 5.250" od 45T	ar	68-81	C8AZ-7B164-G	6221B
C21	Steel .065" 3.903" id 50T (dished)	5	51-67	B1AZ-7B442-A	6222
C21	Steel .068" 3.903" id 54T (flat)	4/5	68-81	C8AZ-7B442-A	6205
PRESSURE PLATES					
B22	Pressure plate .254" (beveled)	1	68-81	C1AP-7B066-A	6307-R
C23	Pressure plate .313"	1	68-81	B8SZ-7B437-A	6309-R
FILTERS					
K9	Kit, filter (felt)	1	68-81	AE	FK6582F
K9	Kit, filter (felt)	1	68-81	AE	DK6582F
K9	Kit, filter (brass)	1	68-81	AE	FK6582D
K9	Kit, filter (brass)	1	68-81	AE	DK6582D
K9	Kit, filter (brass)	1	55-67	AE	FK6582G
K9	Kit, filter (brass)	1	55-67	AE	DK6582G
K9	Kit, filter (brass)	1	51-67	AE	FK6582C
K9	Kit, filter (brass)	1	51-67	AE	DK6582C
K9	Kit, filter (small flat brass)	1	67-71	AE	FK6582H
K9	Kit, filter (small flat brass)	1	67-71	AE	DK6582H
E25	Filter, screen (felt)	1	68-81	D8AZ-7A098-A	6582F
E25	Filter, screen (brass)	1	68-81	D0AZ-7A098-A	6582D
E25	Filter, screen (brass)	1	55-67	B9MP-7A098-B	6582G
E25	Filter, screen (brass)	1	51-67	B9AP-7A098-B	6582C
E25	Filter, screen (flat brass)	1	67-71	3186706	6582H
n/i	Screen, filter	1	68-81	D1AZ-7E242-A	53712
MODULATORS					
E26	Modulator, vacuum-screw in-SAD	1	68-81	C1AZ-7A377-B	16525D
E26	Modulator, vacuum-screw in-DAD	1	73-81	D322-7A377-A	16525F
E26	Modulator, vacuum-screw in-SAD	1	75-81	D5AZ-7A377-C	16525G
BANDS					
C28	Band, flex type	1	73-82	D7AZ-7A162-A	6313X
C28	Band, rigid (thin paper lining)	1	68-73	D2AZ-7A162-A	6313R-RL
C28	Band, rigid 1 15/16" (thin paper lining)	1	67-71	C7AZ-7A162-A	6313N-RL
C28	Band, rigid (thick lining)	1	55-66	C2AZ-7A162-A	6313C-RL
C28	Band, rigid 1 15/16" (thick lining)	1	55-66	C2AZ-7A162-B	6313E-RL

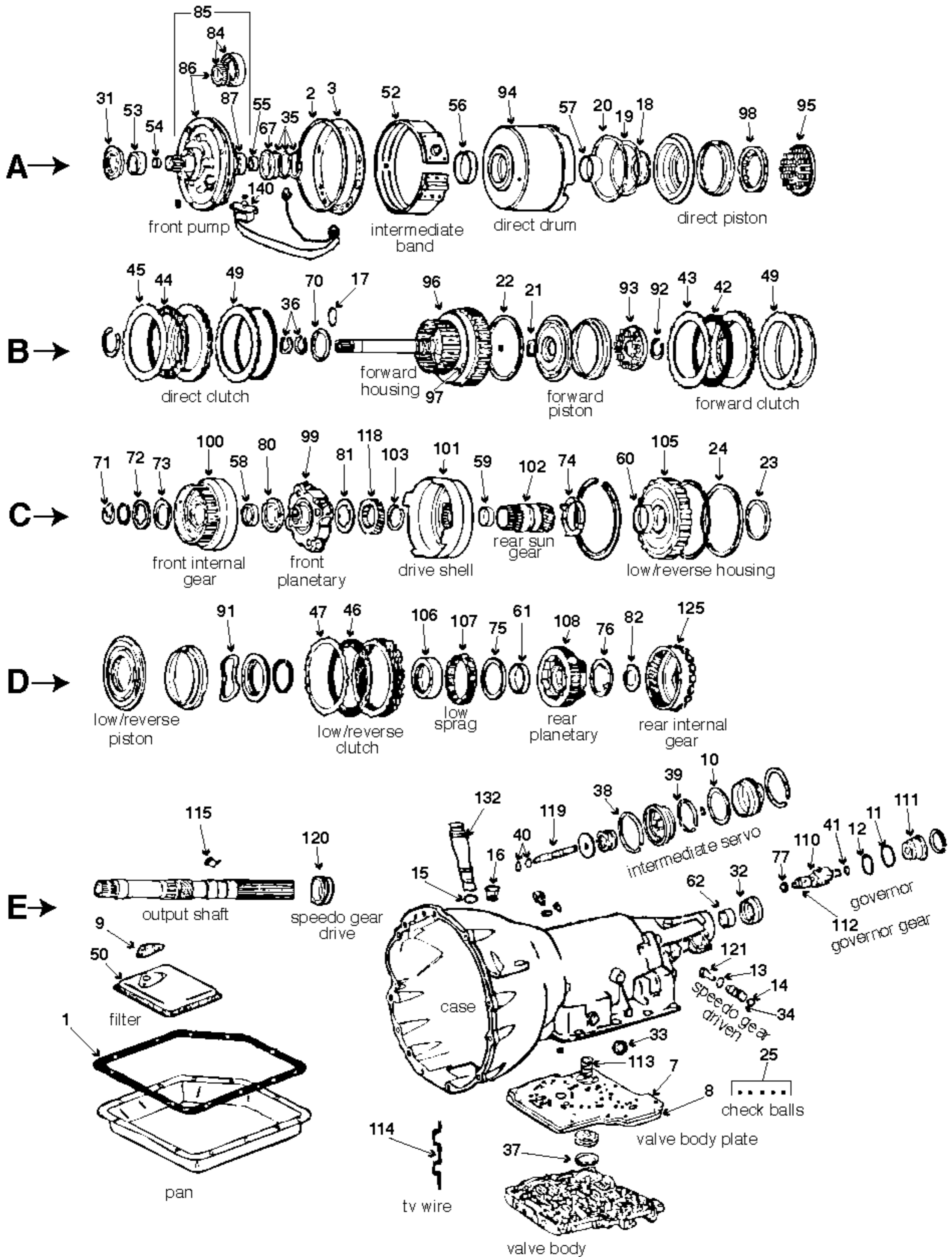
ILL	DESCRIPTION		QTY	YEAR	REFERENCE #	PART #
BANDS (CONTINUED)						
C28	Band, rigid 1 5/8" wide	front (offset lug)(small case)	1	51-55	B6AZ-7A162-A	6313D-RL
D29	Band, rigid	rear (all)	1	55-81	B5SZ-7A163-B	6362A-RL
BUSHINGS						
K13	Kit, bushing	FMX	1	68-81	AE	K6901
A30	Bushing (babbit)	FMX (front pump)	1	68-81	C6AZ-7B258-A	36002A
A30	Bushing (bronze)	FMX (front pump)	1	68-81	C6AZ-7B258-A	36002
A30	Bushing	small/medium/large case (front pump)	1	51-71	C1AZ-7B258-A	6010
A31	Bushing (not in kit)	FMX (stator support/pump cover)	1	68-81	C8AZ-7B261-A	6017D
B33	Bushing	FMX/small case (input shaft)	1	68-81	B1AZ-7120-A	6008
D35	Bushing 1" id x 7/8"	FMX/small case (planetary inner)	1	68-81	B1AZ-7B257-B	6004
D36	Bushing 1 1/2" x 3/4" (not in kit)	FMX/small case (planetary outer)	1	68-81	B5AZ-7B256-A	6019
C38	Bushing	FMX/small case (direct clutch/rear drum)	1	68-81	B1AZ-7B262-2	6003
D39	Bushing (babbit w/oil groove wide)	FMX/small case (rear pump body)	1	68-81	B5AZ-7B260-A	6015
E40	Bushing	FMX/small case (case)	1	68-81	B5A-7025-A	6007
E41	Bushing (babbit)	small case (extension housing)	1	51-67	B3TZ-7A034-A	6014
E41	Bushing (not in kit)	large case (extension housing)	1	61-65	C1VY-7A034-A	6023B
E41	Bushing	BW12 (extension housing)	1	67-81	3207936	12501A
E41	Bushing, extension housing	FMX/medium case (extension housing)	1	68-81	B5AZ-7A034-A	6023
WASHERS/BEARINGS/RACES/SHIMS						
C37	Bearing, caged (not in kit)	direct clutch/rear drum (FMX/small case)	1	68-81	C8AZ-7D480-A	6002
B42	Thrust washer 1 3/8" id x 2 25/32" od	input shaft	1	68-81	D3AZ-7019-A	6201B
B43	Thrust washer (fiber)	front clutch hub	1	68-81	B5S-775-77-B	6203A
D44	Race	output shaft (rear)	1	68-81	n/a	6238
D44	Bearing, thrust (1-3 piece)	output shaft	1	78-81	D8AZ-7B368-A	6239X
D45	Thrust washer .062"	output shaft	sel	68-81	C5AZ-7A385-E	6237H
D45	Thrust washer .068"	output shaft	sel	68-81	C5AZ-7A385-F	6237I
D45	Thrust washer .075"	output shaft	sel	68-81	C5AZ-7A385-G	6237J
D45	Thrust washer .082"	output shaft	sel	68-81	C5AZ-7A385-H	6237K
C46	Bearing, thrust (1-3 piece)	sun gear	1	68-81	D3AZ-7C096-A	6259X
PUMP PARTS AND PUMPS						
A50	Pump, front assembly 17 spline shaft	small/medium case	1	51-59	AE	6551A-R
A50	Pump, front assembly 29 spline shaft	small/medium case	1	59-67	AE	6551D-R
A50	Pump, front assembly	FMX	1	68-81	AE	6551L-R
A51	Gear set	FMX	1	68-81	AE	K36201
HARD PARTS						
B55	Drum, front/forward	FMX	1	61-73	D2AZ-7A360-C	6211R-R
B56	Spring, diaphragm .073"	FMX (front/forward clutch)	1	68-81	C1AP-7B070-A	6208C
D58	Governor assembly	FMX	1	68-81	D3AZ-7C053-A	6242C-R
D59	Planetary assembly	FMX	1	68-81	C3AZ-7A398-C	6236L-R
D59	Planetary assembly	AMX-BW8-BW12	1	67-72	AE	6236C-R
C60	Drum, rear/direct	FMX	1	68-79	C9AZ-7A626-A	6229L-R
n/i	Spring (silver)	FMX (helps with hanging governor valve)	1	68-81	D2AZ-7C063-A	6242CS
SPRAGS						
D57	Sprag (roller type)		1	68-81	C3AZ-7A089-A	34402A
NOTES						



BW35/65/66/T35/65/66
 BW35TB/37TB
 19000/47000/58000

ILL	DESCRIPTION	QTY	YEAR	REFERENCE #	PART #	
REBUILDER KITS						
K4	Master deluxe rebuild kit (w/o rear seal)	BW35/T35/type 2 USA	1	62-71	AE	K1900B-R
K4	Master deluxe rebuild kit (w/o rear seal)	BW35/T35/type 1 non USA	1	63-76	AE	K1900X-R
K4	Master deluxe rebuild kit	BMW T65/66	1	73-76	AE	K4700-R
K4	Master deluxe rebuild kit	Jaguar T65/66	1	79-88	AE	K4700A-R
K5	Master kit w/steels (w/o rear seal)	BW35/T35/type 2 USA	1	62-71	AE	K1900B
K5	Master kit w/steels (w/o rear seal)	BW35/T35/type 1 non USA	1	63-76	AE	K1900X
K5	Master kit w/steels	BMW T65/66	1	73-76	AE	K4700
K5	Master kit w/steels	Jaguar T65/66	1	79-88	AE	K4700A
K5	Master kit w/steels	Saab BW35TB(type 5)	1	68-80	AE	K5800
K5	Master kit w/steels	Saab 900/9000 BW37TB	1	81-93	AE	K5800A
K6	Master kit w/o steels (w/o rear seal)	BW35/T35/type 2 USA	1	62-71	AE	K1900B-LS
K6	Master kit w/o steels (w/o rear seal)	BW35/T35/type 1 non USA	1	63-76	AE	K1900X-LS
K6	Master kit w/o steels	BMW T65/66	1	71-76	AE	K4700-LS
K6	Master kit w/o steels	Jaguar T65/66	1	73-88	AE	K4700A-LS
K6	Master kit w/o steels	Saab BW35TB (type 5)	1	68-80	AE	K5800-LS
K6	Master kit w/o steels	Saab 900/9000 BW37TB	1	81-93	AE	K5800A-LS
K7	O/H gasket set w/seals-rings	BW35/T35/type 2 USA	1	62-71	AE	K19900B
K7	O/H gasket set w/seals-rings	BW35/T35/type 1 non USA (w/o rear seal)	1	63-76	AE	K19900X
K7	O/H gasket set w/seals-rings	BMW T65/66	1	71-86	AE	K47900
K7	O/H gasket set w/seals-rings	Jaguar T65/66	1	73-88	AE	K47900A
K7	O/H gasket set w/seals-rings	Saab BW35TB/type 5	1	68-80	AE	K58900
K7	O/H gasket set w/seals-rings	Saab 900/9000 BW37TB	1	81-93	AE	K58900A
K11	Gasket and seal kit	BW35/T35/type 2 USA	1	62-71	AE	K19900A-1
K11	Gasket and seal kit	BW35/T35/type 1 non USA	1	63-76	AE	K19900-1X
K11	Gasket and seal kit	BMW/Jaguar T65/66	1	71-88	AE	K47900-1
GASKETS AND RUBBER COMPONENTS						
F1	Gasket, oil pan	BW35/T35/type 2 USA (neoprene/cork)	1	62-71	3164825	3744LX
F1	Gasket, oil pan	BW35/T35/type 2 USA (Duraprene®)	1	62-71	3164825	3744D
F1	Gasket, oil pan	BW35/T35/type 1 non USA (neoprene/cork)	1	63-76	211E7A191	3740LX
F1	Gasket, oil pan	BW35/T35/type 1 non USA (Duraprene®)	1	63-76	D1RY-7A191-A	3740D
F1	Gasket, oil pan	T65/66 (neoprene/cork)	1	73-88	04650-45008V	3745LX
F1	Gasket, oil pan	T65/66 (Duraprene®)	1	73-88	04650-45008V	3745D
A2	Seal, lathe cut	BW35/T35/type 1/2/T65/66 (front pump body)	1	62-88	3165004	3822L
A3	Gasket, front pump	BW35/T35/type 1/2	1	62-76	3164869	3823L
A3	Gasket, front pump	Jaguar/BMW T65/66	1	73-93	046-504-5007Y	3824L
B4	Seal, lathe cut	exc 70-71 type 2 (frt cl piston inner)	1	62-88	3165013	3826L
B5	Seal, lathe cut	BW35/T35/type 1/2 (frt cl piston outer)	1	62-88	3165012	3825L
C6	O'ring	exc 70-71 type 2 (rear cl piston inner)	1	62-88	3165050	3831L
C6	O'ring	BW35/T35/type 2 (rear cl piston inner)	1	70-71	3198561	13296
C7	Seal, lathe cut	BW35/T35/type 1/2 (rear cl piston outer)	1	62-88	3165009	3829L
F8	O'ring	BW35/T35/type 1/2 (rear servo piston)	1	62-93	3165014	3821L
E9	Gasket, extension housing	7/16" holes	1	62-71	3170362	13930
E9	Gasket, extension housing	5/16" holes	1	71-93	3164899	13930A
n/i	O'ring	TV cable	1	62-66	3163632	3566
n/i	O'ring	manual lever shaft	1	62-69	3187389	3499L
METAL CLAD SEALS						
A10	Seal, metal clad	Jaguar BW35/type 1/2/T65/66 (front)	1	62-71	3183886	19605
A10	Seal, metal clad	BW65/66/T65/66 (front narrow)	1	71-93	04650-44001	47200
E11	Seal, metal clad (w/flange w/o boot)	extension housing (w/incloded drive line)	1	63-65	3155168	4743C
E11	Seal, metal clad	extension housing (Volvo)	1	63-75	D2RY-70502-B	19677
E11	Seal, metal clad 60x38x12mm	Studebaker extension housing (model 01)	1	62-88	1251450	8850B
E11	Seal, metal clad 1.950" od (not in kit)	Opel/Holden/Vauxhal/Jag extension hsg	1	63-88	235728-3	47201A
E11	Seal, metal clad	BMW BW65/66/T65/66 (extension housing)	1	73-76	046-504-4002H	47201

ILL	DESCRIPTION	QTY	YEAR	REFERENCE #	PART #	
METAL CLAD SEALS (CONTINUED)						
n/i	Seal, metal clad	BW65/66/T65/66 (manual lever shaft)	1	62-88	3154112	19675
SEALING RINGS						
K10	Kit, sealing ring	BW35/65/66/T35/65/66	1	62-88	AE	K19903B
C13	Ring, sealing	rear clutch drum	3	62-69	3164858	19215
D14	Ring, sealing	forward clutch (front sun gear) (small)	2	69-88	3165007	19216
D14	Ring, sealing	forward clutch (front sun gear) (large)	2	69-88	3186586	6235
D15	Ring, sealing	rear sun gear	1	62-65	3165008	19217
D15	Ring, sealing (teflon)	rear sun gear	1	66-88	3176130	19217A
E16	Ring, sealing	output shaft	3	62-88	3165806	19504
CLUTCH PLATES						
B17	Friction .061" 4.248" od 36T	forward clutch (front)	4/5	62-88	3198571	19206A
C17	Friction .061" 4.248" od 36T	direct clutch (rear)	4/5	62-88	3198571	19206A
B18	Steel .068" 3.134" id 40T	forward clutch (front)	3/4	62-88	3164873	19205
B18	Steel .090" 3.134" id 40T (oversized)	forward clutch (front)	ar	62-88	31648730S	19222X
B18	Steel .053" 3.134" id 40T (undersized)	forward clutch (front)	ar	62-88	3164873US	19205X
C20	Steel, dished .068" 3.125" id 40T	direct clutch (rear)	4/5	62-88	3164863	19222
C20	Steel .090" 3.134" id 40T (oversized)	direct clutch (rear)	ar	62-88	31648730S	19222X
C20	Steel .053" 3.134" id 40T (undersized)	direct clutch (rear)	ar	62-88	3164873US	19205X
FILTERS						
K9	Kit, filter (w/o shroud)	BW35/T35/type 2 USA (neoprene/cork)	1	62-66	AE	FK19755
K9	Kit, filter (w/o shroud)	BW35/T35/type 2 USA (Duraprene®)	1	62-66	AE	DK19755
K9	Kit, filter (w/shroud)(pistol grip type)	BW35/T35 USA (neoprene/cork)	1	67-71	AE	FK19757
K9	Kit, filter (w/shroud)(pistol grip type)	BW35/T35 USA (Duraprene®)	1	67-71	AE	DK19757
K9	Kit, filter (pistol grip type)	BW65/66/T65/66 (neoprene/cork)	1	71-88	AE	FK47800
K9	Kit, filter (pistol grip type)	BW65/66/T65/66 (Duraprene®)	1	71-88	AE	DK47800
F21	Filter screen (w/o shroud)	BW35/T35/type 1/2 (front)	1	62-66	3179973	19755
F21	Filter screen (w/shroud)	BW35/T35 (pistol grip type)(front)	1	67-71	3188896	19757
n/i	Filter screen (w/o shroud)	BW35/T35 (rear)	1	62-66	3164950	19756
n/i	Filter screen (w/shroud)	BW35/T35 (rear)	1	62-66	n/a	19756A
MODULATORS						
n/i	Mod type 2 adj screw in (brown)	AMC BW35/T35	1	61-71	4485870	19510A
BANDS						
C24	Band, flex type (1 17/32" wide)	front	1	62-88	3193718	19313F
C24	Band, solid (1 3/16" wide)	front	1	73-86	3188603	19313C
D25	Band, solid	will fit both front/rear	1	62-88	3187096	19313D
BUSHINGS						
K13	Kit, bushing	BW35/T35/type 1 non USA and type 2 USA	1	62-88	AE	K19902
A26	Bushing	BW35/T35/type 1/2 front pump body	1	62-88	3205306	19003
A27	Bushing	stator support (22 and 23 splines)(front)	1	62-88	3205309	19011
A27	Bushing	stator support (26 splines)(front)	1	69-88	19011A	19011A
A28	Bushing	BW35/T35/type 1/2 (stator support)(rear)	1	62-88	3205307	19009
A29	Bushing	BW35/T35/type 1/2 (front pump drive gear)	1	62-88	3205308	19006
B30	Bushing	BW35/T35/type 1/2 (input shaft)	1	62-88	3205301	19005
C31	Bushing	BW35/T35/type 1/2 (sun gear to rr cl drum)	1	62-88	3205303	19010
C32	Bushing	BW35/T35/type 1/2 (planetary support)	1	62-88	3205304	19008
E34	Bushing	BW35/T35/type 1/2 (output shaft)	1	62-88	3205305	19012
E35	Bushing	BW35/T35/type 1/2 (case)	1	62-88	3203639	19001
E36	Bushing 1.795" od .875" wide	extension housing (w/closed drive line)	1	62-65	3202124	19002A
E36	Bushing (babbit)	BW35/T35/type 2 (hsg w/open dr line)	1	62-88	3203640	6014
E36	Bushing 1 5/16" od	Volvo/Datsun (extension housing)	1	63-75	235878-6	19002X



TH200/C
32000

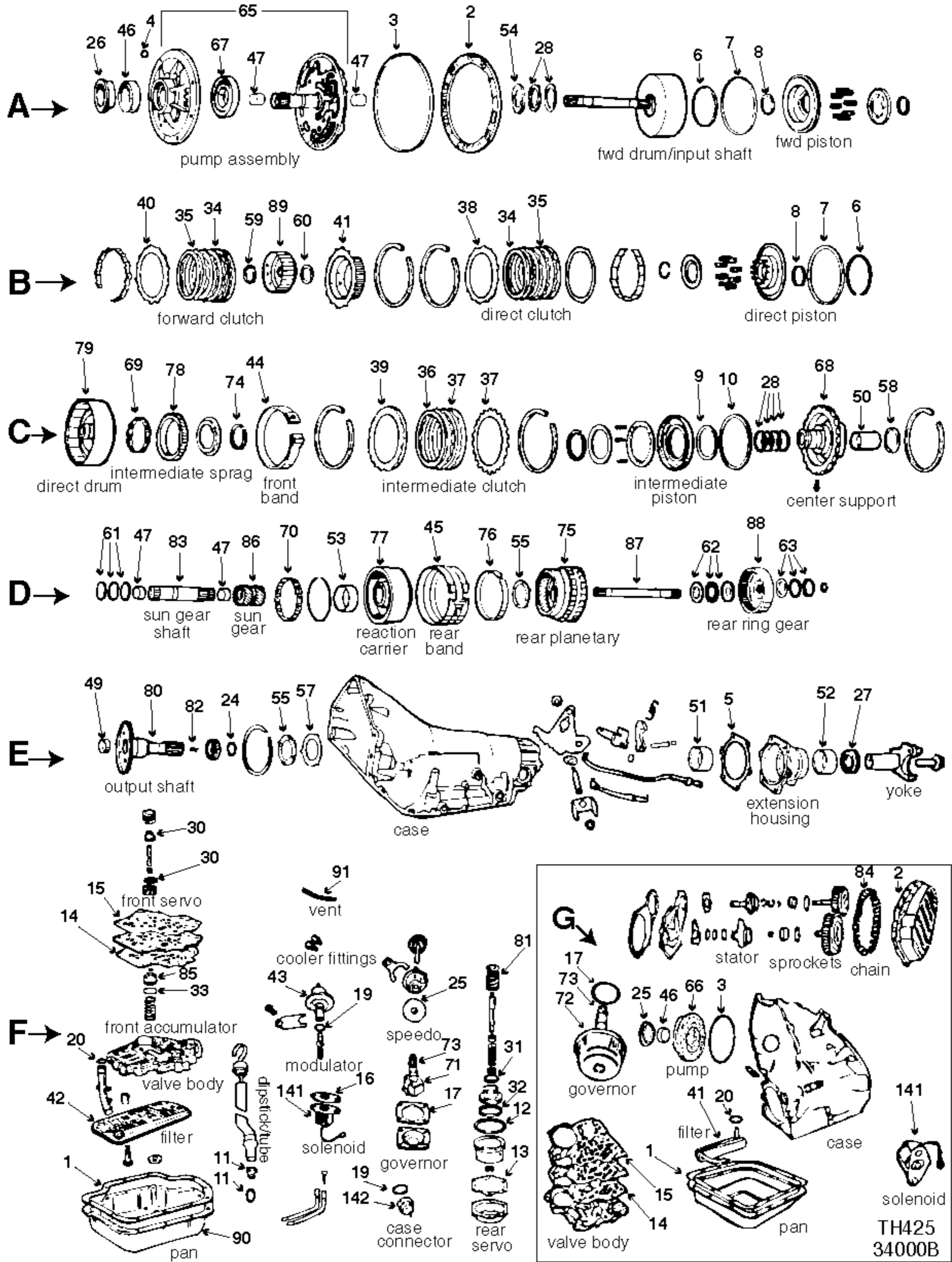
ILL	DESCRIPTION		QTY	YEAR	REFERENCE #	PART #
TECHNICAL MANUALS						
K53	Tech manual TH200C dis/assembly	diagnosis/troubleshooting	1	76-87	83-200TM	010-303
REBUILDER KITS						
K4	Master deluxe rebuild kit (w/metal rings)	TH200/C	1	76-87	AE	K3200B-R
K4	Master deluxe rebuild kit (w/teflon rings)	TH200/C	1	76-87	AE	K3200A-R
K5	Master kit w/steels (w/teflon rings)	w/o servo lip seals	1	76-87	AE	K3200
K5	Master kit w/steels (w/metal rings)	w/o servo lip seals	1	76-87	AE	K3200B
K6	Master kit w/o steels (w/metal rings)	w/servo lip seals	1	76-87	AE	K3200B-LS
K6	Master kit w/o steels (w/teflon rings)	w/servo lip seals	1	76-87	AE	K3200-LS
K7	O/H gasket set w/seals-rings	w/metal ring kit	1	76-87	AE	K32900B
K7	O/H gasket set w/seals-rings	w/teflon ring kit	1	76-87	AE	K32900C
K8	External seal kit	TH200/C	1	76-87	AE	K32900-2
K11	Gasket and seal kit	TH200/C	1	76-87	AE	K32900C-1
K28	Kit, lip seal	servo	1	81-87	AE	K32900-3
VALVE BODY KITS						
K15	Shift Kit® corrects soft shifts	TH200 (pressure rise)	1	76-78	SK® 200	K32908
K15	Shift Kit® corrects soft shifts	TH200/C (pressure rise)	1	79-87	SK® 279	K32908A
K15	Shift Correction Package	TH200/C	1	76-87	K200	S32908A
K38	Loss of lockup control kit	TH200C	1	79-87	200LU	K32877
GASKETS AND RUBBER COMPONENTS						
E1	Gasket, oil pan	neoprene/cork	1	76-87	8633380	13900X
E1	Gasket, oil pan	Duraprene®	1	76-87	8633380	13900D
A2	Seal, lathe cut	TH200 (pump to case)	1	76-87	8628052	13902
A3	Gasket	TH200 (pump to case)	1	76-87	8633899	13901
E7	Gasket, valve body	TH200 (upper case to spacer plate)	1	76-78	8628871	13926
E7	Gasket, valve body	TH200C (upper case to spacer plate)	1	79-87	8633624	13926B
E8	Gasket, valve body	TH200 (lower spacer plate to VB)	1	76-79	8628870	13926A
E8	Gasket, valve body	TH200 (lower spacer plate to VB)	1	79-87	8633623	13926C
E9	Gasket	TH200/C (filter)	1	76-87	8628300	13903
E10	O'ring	TH200/C (intermediate servo cover)	1	76-87	8628136	13920
E11	O'ring	governor cover (large)	1	76-87	8628243	3131L
E12	O'ring	governor cover (small)	1	76-87	8628248	13915
E13	O'ring	speedo gear hsg (except Tracker/Sidekick)	1	76-87	6264903	3410L
E13	O'ring (2 1/8" dia)	speedo gear housing (large)	1	79-87	25501478	13582
E14	Lip seal w/o spring	speedo driven gear (w/o spring)	1	76-87	1240382	3991LS
E14	Lip seal w/spring	speedo driven gear (with spring)	1	76-87	2538588HD	3991L
E15	O'ring	filler tube to case	1	76-78	6264902	3291L
E16	Multi lip seal (boot)	filler tube to case	1	79-87	1259475	13925
B17	O'ring	input shaft	1	79-87	8630049	13917
B17	O'ring (teflon coated/green)	input shaft 2.5L/2.8L engines	1	81-87	8662686	13766
A18	Lip seal	direct clutch piston (inner)	1	76-87	8628079	13963
A19	Lip seal	direct clutch piston (center)	1	76-87	8630295	13959
AB20	Lip seal	direct/forward clutch piston (outer)	2	76-87	8628078	13961
B21	Lip seal	forward clutch piston (inner)	1	76-87	8630102	13962
C23	Lip seal	low/reverse clutch piston (inner)	1	76-87	8628246	13960
C24	Lip seal	low/reverse clutch piston (outer)	1	79-87	8628364	13964
E25	Ball, check (1/4" steel)	valve body (steel)	5	76-87	6261179S	13924S
n/i	O'ring	detent cable	1	76-78	358424	3566
n/i	Multi lip seal (boot)	detent cable	1	79-87	25518260	13581
n/i	Seal, metal clad	case to low/reverse housing	1	79-87	8631577	13969
n/i	O'ring	lock up solenoid	1	79-87	8630052	13918
n/i	Cup, plug	parking pawl	1	76-87	8620318	13970
n/i	Washer, coated	pump bolts	6	76-87	8626281	13268A

ILL	DESCRIPTION		QTY	YEAR	REFERENCE #	PART #
METAL CLAD SEALS						
A31	Seal, metal clad	TH200/C (front)	1	76-87	8648394	61151A
A31	Seal, metal clad 60x38x12mm	extension housing	1	76-87	1243402	8850B
E33	Seal, metal clad	manual lever shaft	1	76-87	8623056	38511
E34	Seal, metal clad	speedo driven gear/speedo housing	1	76-87	3869910	38511X
SEALING RINGS						
K10	Kit, sealing ring	metal and teflon (13M/6T)	1	76-87	AE	K32903B
K10	Kit, sealing ring	teflon (17 rings)	1	79-87	AE	K32903T
A35	Ring, sealing (teflon)	pump stator (rear)	3	76-87	862805T	32300T
B36	Ring, sealing (metal) 1.063" od	turbine shaft	2	76-87	8628090	32301
B36	Ring, sealing (teflon) 1.063" od	turbine shaft	2	76-87	8628090	32301T
E37	Ring, sealing (metal) 1.998" od	1-2 accumulator	1	76-87	8628275	32302
E37	Ring, sealing (teflon) 1.998" od	1-2 accumulator	1	76-87	8628275	32302T
E38	Ring, sealing (metal)	intermediate servo (outer)	1	76-83	8628123	32303
E38	Ring, sealing (teflon)	intermediate servo (outer)	1	76-83	8628123	32303T
E39	Ring, sealing (metal) 2.36" od	intermediate servo (inner)	1	76-78	8628697	32306
E39	Ring, sealing (teflon) 2.360" od	intermediate servo (inner)	1	76-78	8628697	32306T
E39	Ring, sealing (metal) 2.54" od	intermediate servo (inner)	1	76-78	8630080	32307
E39	Ring, sealing (teflon) 2.504" od	intermediate servo (inner)	1	76-78	8630080	32307T
E39	Ring, sealing (metal) 2.67" od	intermediate servo (inner)	1	76-78	8628124	32304
E39	Ring, sealing (teflon) 2.67" od	intermediate servo (inner)	1	76-78	8628124	32304T
E39	Ring, sealing (metal) 2.89" od	intermediate servo (inner)	1	76-78	8628125	32305
E39	Ring, sealing (teflon) 2.89" od	intermediate servo (inner)	1	76-78	8628125	32305T
E40	Ring, sealing	intermediate band apply pin	2	79-87	8630120	32323T
E41	Ring, sealing	governor	1	76-87	8633455	32308T
n/i	Ring, sealing (metal) 1.96" od	intermediate servo piston (inner)	1	79-84	8630568	32311
n/i	Ring, sealing (teflon) 1.96" od	intermediate servo piston (inner)	1	79-84	8630568	32311T
n/i	Ring, sealing (metal) 2.14" od	intermediate servo piston (inner)	1	79-84	8632149	32312
n/i	Ring, sealing (teflon) 2.140" od	intermediate servo piston (inner)	1	79-84	8632149	32312T
n/i	Ring, sealing (metal) 2.28" od	intermediate servo piston (inner)	1	79-84	8632150	32310
n/i	Ring, sealing (teflon) 2.28" od	intermediate servo piston (inner)	1	79-84	8632150	32310T
n/i	Ring, sealing (metal) 2.40" od	intermediate servo piston (inner)	1	79-84	8632151	32313
n/i	Ring, sealing (teflon) 2.40" od	intermediate servo piston (inner)	1	79-84	8632151	32313T
n/i	Ring, sealing (metal)	intermediate servo piston (inner)	1	79-84	8631473	32309
n/i	Ring, sealing (teflon)	intermediate servo piston (inner)	1	79-84	8631473T	32309T
CLUTCH PLATES						
B42	Friction .078" 5.225" od 30T	forward clutch	4/5	76-87	8657168	32103
B42	Friction .078" 5.225" od 30T	forward clutch (high performance)	4/5	76-87	8648350HP	32103H
B43	Steel .078" 4.342" id 30T	forward clutch	3/4	76-87	8628086	32100
B43	Steel, waved .062" 4.342" id 30T	forward clutch (cushion)	1	76-87	8628085	32105
B44	Friction .078" 5.225" od 30T	direct clutch	4/5	76-87	8657168	32103
B44	Friction .078" 5.225" od 30T	direct clutch	4/5	76-87	8648350HP	32103H
B45	Steel .090" 4.342" id 30T	direct clutch	3/6	76-87	8628484	32104
B45	Steel .090" 4.342" id 30T (Kolene®)	direct clutch	3/6	76-87	8628484	32104K
B45	Steel .100" 4.342" id 30T	direct clutch	ar	76-87	86284840S	32104X
D46	Friction .075" 5.525" od 44T	low/reverse clutch	4/6	76-87	8648351	32102A
D46	Friction .075" 5.525" od 44T	low/reverse clutch (high performance)	4/6	76-87	8648351HP	32102H
D47	Steel .078" 4.691" id 44T	low/reverse clutch	5/7	76-87	8628224	32101
D47	Steel .088" 4.691" id 44T	low/reverse clutch	ar	76-87	86282240S	32101X
D47	Steel .078" 4.691" id 44T (Kolene®)	low/reverse clutch	5/7	76-87	8628224	32101K
D47	Steel, waved .078" 4.691" id 44T	low/reverse clutch (cushion)	ar	76-87	8633371	32101A
PRESSURE PLATES						
B49	Pressure plate .250" 6.25mm	forward/direct clutch	2	76-87	8628088	32714-R

ILL	DESCRIPTION	QTY	YEAR	REFERENCE #	PART #
FILTERS					
K9	Kit, filter TH200 use w/2 1/4" pan neoprene/cork	1	76-79	AE	FK32710
K9	Kit, filter TH200 use w/2 1/4" pan Duraprene®	1	76-79	AE	DK32710
K9	Kit, filter TH200 use w/2 9/16" deep pan neoprene/cork	1	79-87	AE	FK32710A
K9	Kit, filter TH200 use w/2 9/16" deep pan Duraprene®	1	79-87	AE	DK32710A
E50	Filter 2 1/4" pan	1	76-79	8638964	32710
E50	Filter 2 9/16" deep pan	1	79-87	8632949	32710A
n/i	Screen, filter lock-up/TCC solenoid	1	80-87	8627509	34713
BANDS					
A52	Band, flex intermediate	1	76-87	8628098	32700F
BUSHINGS					
K13	Kit, bushing TH200/C	1	76-87	AE	K32901
A53	Bushing (babbit) pump body	1	76-87	8649963	32005
A54	Bushing (bronze) stator support (front)	1	76-87	8628915	32006
A55	Bushing stator support (rear)	1	76-87	8628916	32003
A56	Bushing direct drum (front large)	1	76-87	8628918	32000
A57	Bushing 1.886" od 47.64mm direct drum (rear small)	1	76-87	8628917	32001
C58	Bushing front internal gear	1	76-87	8630990	32002A
C59	Bushing rear sun gear	1	76-87	8628928	32007
C60	Bushing low/rev housing	1	76-87	8628929	32008
D61	Bushing rear carrier (planetary)	1	76-87	8628947	32004
E62	Bushing (babbit) 1.626" od extension housing	1	76-87	6260048	8008A
E62	Bushing (bronze w/dimples) extension housing (w/27 spline output)	1	76-87	6260048	8008
WASHERS/BEARINGS/RACES/SHIMS					
K12	Kit, thrust bearing TH200/C	1	76-87	AE	K32906
K14	Kit, thrust washer, w/o thrust bearing w/o popular selectives	1	76-87	AE	K32907
K14	Kit, thrust washer TH200/C	2	76-87	AE	K51442
K14	Kit, planetary carrier washer 1 each selective	1	76-87	AE	K32907A
K14	Kit, planetary carrier washer 1 each selective	1	76-87	AE	K32907B
A67	Thrust washer pump to direct clutch drum	1	76-87	8628056	32401
B70	Thrust washer direct drum to forward clutch housing	1	76-87	8628091	32402
C71	TW (plastic) .068" (white #1) forward clutch housing to output shaft	sel	76-87	8639291	32400
C71	TW (plastic) .073" (neutral #2) forward clutch housing to output shaft	sel	76-87	8639292	32400A
C71	TW (plastic) .078" (black #3) forward clutch housing to output shaft	sel	76-87	8639293	32400B
C71	TW (plastic) .083" (green #4) forward clutch housing to output shaft	sel	76-87	8639294	32400C
C71	TW (plastic) .088" (red #5) forward clutch housing to output shaft	sel	76-87	8639295	32400D
C71	TW (plastic) .093" (purple #6) forward clutch housing to output shaft	sel	76-87	8639296	32400E
C71	TW (plastic) .098" (brown #7) forward clutch housing to output shaft	sel	76-87	8639297	32400F
C71	TW (plastic) .103" (orange #8) forward clutch housing to output shaft	sel	76-87	8639298	32400G
C71	TW (plastic) .108" (yellow #9) forward clutch housing to output shaft	sel	76-87	8639299	32400H
C71	TW (plastic) .113" (lt blue #10) forward clutch housing to output shaft	sel	76-87	8639300	32400J
C71	TW (plastic) .118" (lt tan #11) forward clutch housing to output shaft	sel	76-87	8639301	32400K
C71	TW (plastic) .123" (tan #12) forward clutch housing to output shaft	sel	76-87	8639302	32400L
C71	TW (plastic) .128" (rose #13) forward clutch housing to output shaft	sel	76-87	8639303	32400M
C71	TW (plastic) .133" (lt green #14) forward clutch housing to output shaft	sel	76-87	8639304	32400N
C71	TW (plastic) .138" (smoke #15) forward clutch housing to output shaft	sel	76-87	8639305	32400P
C72	TW (metal) .117" (orange #1) output shaft snap ring to brass TW	1	76-87	8628161	32212
C72	TW (metal) .124" (white #2) output shaft snap ring to brass TW	1	76-87	8630892	32212A
C72	TW (metal) .131" (yellow #3) output shaft snap ring to brass TW	1	76-87	8630893	32212B
C72	TW (metal) .138" (yellow #4) output shaft snap ring to brass TW	1	76-87	8630894	32212C
C72	TW (metal) .145" (red #5) output shaft snap ring to brass TW	1	76-87	8630895	32212D
C72	TW (metal) .152" (brown #6) output shaft snap ring to brass TW	1	76-87	8630896	32212E
C72	TW (metal) .159" (green #7) output shaft snap ring to brass TW	1	76-87	8630897	32212F
C72	TW (metal) .166" (black #8) output shaft snap ring to brass TW	1	76-87	8630898	32212G

ILL	DESCRIPTION		QTY	YEAR	REFERENCE #	PART #
WASHERS/BEARINGS/RACES/SHIMS (CONTINUED)						
C72	TW (metal) .173" (pink #9)	output shaft snap ring to brass TW	1	76-87	8630899	32212H
C72	TW (metal) .100" (gold #10)	output shaft snap ring to brass TW	1	76-87	8630911	32212J
C73	Thrust washer	selective washer to front internal gear	1	76-87	8628765	32403
C74	Washer, thrust (metal) .060" (4 tabs)	drive shell to low/rev housing	1	76-79	8628549	32406
C74	Washer, thrust (plastic) .060" (4 tabs)	drive shell to low/rev housing (standard)	1	79-87	8628766	32406A
C74	Thrust washer (plastic) .080"	drive shell to low/rev housing (thick)	ar	79-87	86287660S	32406X
D75	Thrust washer (plastic)	low roller clutch race to rear planetary	1	76-87	8628182	32408
D76	Thrust washer (metal)	rear planetary to rear internal gear	1	76-87	8628188	32409
E77	Thrust washer (metal)	governor driven gear to case	1	76-87	8628584	32213
C80	Bearing, thrust	front internal gear to front planetary	1	78-87	8628202	32404
C81	Bearing, thrust	front planetary to front sun gear	1	78-87	8633875	32405
D82	Bearing, thrust	rear planetary to rear internal gear	1	78-87	8628962	32409A
SNAP RINGS						
B92	Snap ring	forward/direct clutch	1	76-87	8628089	32762-R
C103	Snap ring	drive shell to sun gear	2	76-87	8623105	32733-R
n/i	Snap ring	output shaft	1	76-87	8628170	32761-R
PUMP PARTS AND PUMPS						
A84	Gear set, pump .677"	TH200	1	77-78	AE	K32201
A84	Gear set, pump .776"	TH200C	1	79-87	AE	K32201A
A84	Gear set, pump .777"	TH200C	1	79-87	AE	K32201B
A84	Gear set, pump .778"	TH200C	1	79-87	AE	K32201C
A85	Pump assembly	TH200	1	77-78	AE	32200-R
A85	Pump assembly	TH200	1	79-80	AE	32200A-R
A85	Pump assembly	TH200C	1	79-87	AE	32200B-R
A86	Body and gear assembly, pump	TH200C	1	80-87	8638922	32202C-R
A87	Pump stator support	TH200C	1	80-87	8633958	32203B-R
HARD PARTS						
D91	Spring, waved	low/reverse return	1	76-87	8628222	32551-R
B93	Retainer, w/springs	forward housing	1	76-87	8628492	32751A-R
A94	Drum, direct clutch	TH200/C	1	76-87	8630922	32726-R
A95	Guide, for retainer w/springs	direct clutch	1	76-87	8630096	32751-R
B96	Housing, forward clutch w/input shaft	S-10 truck	1	81-87	8633948	32733C-R
B97	Check valve w/ball	forward housing	1	76-87	8633748	32764
C99	Planetary	front	1	76-87	8628174	32747-R
C100	Gear, front internal	ring gear	1	76-87	8639947	32748-R
C101	Shell, drive	TH200/C	1	76-87	8648360	32729-R
C101	Shell, drive	TH200/C	1	76-87	8648484	32729
C102	Gear, sun	rear	1	76-87	8628206	32728B-R
C105	Housing, low/reverse	TH200/C	1	76-87	8628212	32727-R
D106	Race, inner	low/reverse roller clutch	1	76-87	8628184	32430-R
D108	Planetary	rear	1	76-84	8639909	32730A-R
E110	Governor assembly 14T	TH200/C	1	76-78	8628964	32410A-R
E110	Governor assembly 13T (diesel)	1 spring	1	79-87	8633940	32410C
E110	Governor assembly 13T (gas)	2 springs	1	79-87	8633942	32410B
E111	Cover, governor w/seals	TH200/C	1	76-87	8628933	32707
E112	Gear, governor 14T	TH200/C	1	76-79	202	32411
E112	Gear, governor 13T	TH200/C	1	79-87	204	32411B
E113	Spring	1-2 accumulator	1	76-87	8634391	32706
E114	Link, throttle lever (wire)	TH200/C	1	76-87	8657304	32765
E115	Clip, double fold 1/2"	speedo drive gear	1	76-79	8628557	32226A
C118	Gear, sun	front	1	76-87	8628190	32728A-R
E119	Pin, band apply (1 groove)	TH200C	sel	79-87	8632973	32708A
E119	Pin, band apply (2 grooves)	TH200C	sel	79-87	8632974	32708B

ILL	DESCRIPTION	QTY	YEAR	REFERENCE #	PART #	
HARD PARTS (CONTINUED)						
E119	Pin, band apply (3 grooves)	TH200C	sel	79-87	8632975	32708C
E119	Pin, band apply (no groove longest)	TH200C	sel	79-87	8632976	32708
D125	Gear, rear internal	ring gear	1	76-87	8628196	32749-R
E132	Filler tube repair	TH200/C	1	79-87	M99100A	96-140A
n/i	Pin, throttle valve boost	hardened steel	1	79-87	M12712	51966
n/i	Pin, servo extendo	extendo	1	76-87	65786E	32708E
n/i	Valve, lockup	self cleaning	1	76-87	8633877	32877
n/i	Kit, detent cable repair end	replacement end (plastic)	1	76-80	K35909U	K35909A
n/i	Cable, detent	universal	1	77-87	K65940U	63-399
ELECTRICAL COMPONENTS						
A140	Solenoid (PT, EG, w/o GR)	lock-up/TCC	1	81-87	8633945	5A-113
A140	Solenoid (PT, 1G2, w/GR)	lock-up/TCC	1	81-87	8633946	5A-114
A140	Solenoid (PT, 1G2, w/GR)	lock-up/TCC	1	82-87	8633947	5A-115
A140	Solenoid	lock-up/TCC	1	84-06	8638931	5A-116
A140	Solenoid, lock-up/TCC (universal)	replaces all	1	80-87	52-0210	5A-146
A140	Solenoid (ST, IGI, w/GR)	lock-up/TCC	1	79-81	8632950	15A-115
n/i	Switch, pressure	governor (in valve body)(3rd w/tube)	1	83-87	8648190	15A-114
n/i	Switch, pressure (non-grounding)	governor (in valve body)	1	79-87	15A-133	15A-133
n/i	Switch, pressure 36-40 PSI (orange)	governor (in valve body)	1	79-87	8648060	15A-140
n/i	Switch, pressure 46 PSI (silver)	governor (in valve body)	1	79-87	8648063	15A-146
n/i	Switch, pressure 48 PSI (orange)	governor (in valve body)	1	79-87	8648064	15A-148
n/i	Switch, pressure 50 PSI (white)	governor (in valve body)	1	79-87	8648065	15A-150
n/i	Switch, pressure 54 PSI (blue)	governor (in valve body)	1	79-87	8648067	15A-154
n/i	Connector, electrical (2 spade oval)	case	1	79-80	12300205	25A-101
n/i	Connector, electrical (3 terminal square)	case	1	81-87	12015026	25A-103
n/i	Connector, electrical (4 terminal square)	case	1	79-87	8635152	25A-104
SWITCH KITS						
K46	Switch kit@ TH200C to TH350	V/8	1	82-87	2-35B	2-35B
K46	Switch kit@ TH200C to TH350	2.8L V/6	1	82-83	2S-35B	2S-35B
SPRAGS						
D107	Roller clutch	low/reverse	1	76-87	8628183	32502-R
D107	Sprag, roller clutch	low/reverse	1	76-87	8628183	32502
SPEEDO GEARS						
n/i	Gear, speedo driven w/shaft 28T	yellow (plastic)	1	76-87	416765	03-170
n/i	Gear, speedo driven w/shaft 29T	green (plastic)	1	76-87	403999	03-174
n/i	Gear, speedo driven w/shaft 30T	blue (plastic)	1	76-87	561035	03-178
n/i	Gear, speedo driven w/shaft 31T	natural (plastic)	1	76-87	403417	03-182
n/i	Gear, speedo driven w/shaft 27T	black (plastic)	1	76-87	n/a	03-186
n/i	Gear, speedo drive 10T (metal)	purple	1	76-87	8628838	02-240
n/i	Gear, speedo drive 19T (plastic)	yellow	1	76-87	8628891	02-242
n/i	Gear, speed drive 10T (plastic)	green	1	76-87	8632646	02-244
n/i	Gear, speedo drive 12T (plastic)	red	1	76-87	8632647	02-246
n/i	Gear, speedo drive 9T (plastic)	yellow	1	76-87	8632648	02-248
n/i	Gear, speedo drive 18T (plastic)	blue	1	76-87	1246222	02-250
n/i	Gear, speedo drive 17T (plastic)	red	1	76-87	8628793	02-252
n/i	Gear, speedo drive 20T (plastic)	brown	1	76-87	8628894	02-254
n/i	Housing, speedo	plastic	1	76-87	n/a	04-189
n/i	Housing, speedo	metal	1	76-87	n/a	04-191
NOTES						



TH400/3L80/375/475
34000D

ILL	DESCRIPTION	QTY	YEAR	REFERENCE #	PART #
TECHNICAL MANUALS					
K53	Tech manual TH400 3L80 dis/assembly diagnosis/troubleshooting	1	64-93	83-400TM	010-307
REBUILDER KITS					
K4	Master deluxe rebuild kit TH400	1	65-93	AE	K3400D-R
K4	Master deluxe rebuild kit TH425	1	66-78	AE	K3400B-R
K4	Master deluxe rebuild kit TH400 (high performance)	1	64-93	AE	H3400D-R
K4	Master deluxe rebuild kit TH400 (w/waffle clutches)	1	65-93	AE	K3400W-R
K5	Master kit w/steels TH400	1	65-93	AE	K3400D
K5	Master kit w/steels w/short ring kit TH400	1	65-93	AE	K3400DS
K5	Master kit w/steels TH425	1	66-78	AE	K3400B
K5	Master kit w/steels TH400 (w/waffle clutches)	1	65-93	AE	K3400W
K6	Master kit w/o steels TH400	1	65-93	AE	K3400D-LS
K6	Master kit w/o steels w/short ring kit TH400	1	65-93	AE	K3400DS-LS
K6	Master kit w/o steels TH425	1	66-78	AE	K3400B-LS
K6	Master kit w/o steels TH400 (w/waffle clutches)	1	65-93	AE	K3400W-LS
K7	O/H gasket set w/seals-rings TH400	1	65-93	AE	K34900D
K7	O/H gasket set w/seals-rings TH400 (w/short ring kit)	1	65-93	AE	K34900DS
K7	O/H gasket set w/seals-rings TH425	1	66-78	AE	K34900B
K8	External seal kit TH400	1	65-93	AE	K34900-2
K11	Gasket and seal kit TH400	1	65-93	AE	K34900D-1
K11	Gasket and seal kit TH425	1	66-78	AE	K34900B-1
VALVE BODY KITS					
K15	Shift Kit®, corrects soft shifts 3rd clutch burn up	1	65-93	SK® 400	K34908
K15	Shift Kit®, corrects soft shifts TH425 all/TH400 64 only (3rd cl burn up)	1	66-78	SK® 425	K34908A
K15	Reverse cushion kit corrects harsh reverse	1	65-93	400RK™	K34908B
K15	Reprogramming Kit™ Stick Shift converts to manual	1	65-93	400-3	400-3
K15	Reprogramming Kit™ Tow or Go® competition combo	1	65-93	400-1 and 2	400-2
K15	Reprogramming Kit™ ProRace heavy duty TH400	1	65-93	400-PRO	400-PRO
K15	Shift point package TH400 (governor calibration)	1	64-93	K018	34964
K15	Shift correction pkg soft late shifts/2-3 harsh rev/HD SR prevent case damage	1	65-93	K400	S34908
K15	Kit, value body soft shifts 3rd clutch burn up (5 kits in 1)	1	65-93	TL-400-5	TL-400-5
K15	Shift Improver Kit HD/street and strip performance	1	65-87	20260	114-20260
K15	Shift Improver Kit HD/street and strip performance	1	88-93	20261	114-20261
K15	Transpak™ heavy duty-ProRace TH400 (full manual control)	1	65-87	20228	114-20228
K15	Manual pak TH400 (full manual control)	1	68-87	20219	114-20219
GASKETS AND RUBBER COMPONENTS					
F1	Gasket, oil pan TH400 (neoprene/cork)	1	64-93	8655625	3893LX
F1	Gasket, oil pan TH400 (Duraprene®)	1	64-93	8655625	3893D
G1	Gasket, oil pan TH425 (neoprene/cork)	1	68-78	8626932	13270X
G1	Gasket, oil pan TH425 (Duraprene®)	1	68-78	8626932	13270D
A2	Gasket TH400 (pump stator to case)	1	64-93	8623978	3994L
G2	Gasket TH425 (sprocket cover)(neoprene/cork)	1	68-78	8625031	13269X
A3	Seal, lathe cut TH400 (pump body to case)	1	64-93	6261413	3877L
G3	Seal, lathe cut TH425 (pump body to case)	1	68-78	8625007	13273
A4	Washer, coated TH400 (pump bolts)	6/8	64-87	8626281	13268A
A4	O'ring TH400 (pump bolts)	8	88-93	8654341	13268B
E5	Gasket TH400 (extension housing)	1	65-93	8624709	13271
E5	Gasket TH425 (final drive)	1	68-78	389948	13303
A6	Seal, beveled TH400 (forward clutch center)	1	77-81	8627690	13322
AB6	Lip seal TH400 (direct clutch center)	2	65-93	8623121	3284L
AB7	Lip seal TH400 (forward and direct clutch outer)	2	64-93	8623101	3643L
AB8	Lip seal TH400 (forward and direct clutch inner)	2	64-93	8623102	3956L
C9	Lip seal TH400 (intermediate clutch inner)	1	64-93	8627627	3963L
C10	Lip seal TH400 (intermediate clutch outer)	1	64-93	8623143	3962L

ILL	DESCRIPTION		QTY	YEAR	REFERENCE #	PART #
GASKETS AND RUBBER COMPONENTS (CONTINUED)						
F11	O'ring	TH400 (filler tube to case)	1	64-78	6264902	3291L
F11	Multi lip seal (boot)	TH400 (filler tube to case)	1	79-93	1259475	13925
F12	Seal, lathe cut	TH400 (reverse servo piston)	1	64-93	8623430	3921L
F13	Gasket	TH400 (rear servo cover)	1	64-93	8623174	3916L
G14	Gasket	TH425 (spacer to valve body lower)	1	68-78	8625205	13276
F14	Gasket	TH400 (spacer to valve body)	1	65-93	8670392	3992L
F15	Gasket	TH400 (spacer to case)	1	65-87	8670393	3993L
F15	Gasket	TH400 (spacer to case)	1	87-93	8670458	3993AL
G15	Gasket	TH425 (spacer to case upper)	1	66-78	8625203	13275
F16	Gasket	TH400 (solenoid valve metal)	1	64-93	8623741	3913L
F17	Gasket	TH400 (governor cover)	1	64-93	8670381	3914L
G17	Seal, lathe cut	TH425 (governor cover)	1	68-78	381580-S94	13304
F19	O'ring	case connector and modulator to case	2	64-93	8619568	3410L
FG20	O'ring	TH400 (oil filter to intake tube)	1	64-93	1363951	3547L
E24	O'ring	TH400 (output shaft)	1	64-93	8616504	3267L
F25	O'ring	TH425 (speedo sleeve)	1	66-78	8622076	3718L
F25	O'ring	TH400 (speedo sleeve)	1	64-93	1359319	3126L
n/i	Hose, vacuum (90°)	TH400 (modulator hose)	1	64-93	C1AZ-7B087-E	13566
n/i	O'ring	TH400 (selector shaft-manual shaft)	1	64-67	8621767	3302L
n/i	Cup, plug	TH400 (park pawl)	1	64-93	8620318	13970
n/i	Lip seal w/spring	TH400 (speedo)	1	64-93	25519078	3991L
n/i	Lip seal w/o spring	TH400 (speedo)	1	64-93	3869910	3991LS
METAL CLAD SEALS						
A26	Seal, metal clad	TH400 (front)	1	64-93	8670283	38151A
E27	Seal, metal clad (w/flange w/o boot)	TH400 (extension housing)	1	64-77	8655031	4743C
E27	Seal, metal clad (w/flange)	extension housing 32spl output shaft	1	65-93	8626009	34743D
E27	Seal, metal clad 60x38x12mm	TH375 (extension housing)	1	72-76	3871649	8850B
E27	Seal, metal clad (w/flange)	TH475 (extension housing with brake drum)	1	88-93	8655032	205-21111
n/i	Seal, metal clad	TH400 (manual lever shaft)	1	64-93	8623056	38511
SEALING RINGS						
K10	Kit, sealing ring (10 rings, metal)	TH400/TH425	1	64-93	AE	K34901A
K10	Kit, sealing ring (10 rings, teflon)	TH400	1	64-93	AE	K34901T
K10	Kit, sealing ring (6 rings, metal)	TH400/TH425	1	64-93	AE	K34406
AC28	Ring, sealing (metal)	TH400 (pump stator and center support)	6	64-88	8626356	34406
AC28	Ring, sealing (teflon)	TH400 (pump stator and center support)	6	64-93	8623148	34406T
F30	Ring, sealing (teflon)	TH400 (front servo piston)	1	64-93	8623653	34711T
F30	Ring, sealing	front servo (cast iron)	1	64-93	8623131	34310
F30	Ring, sealing (cast iron)	TH400 (front servo piston)	1	64-93	8623653	34711
F31	Ring, sealing (teflon)	TH400 (accumulator piston inner)	1	64-93	8625773	34710AT
F31	Ring, sealing (cast iron)	TH400 (accumulator piston inner)	1	64-93	8625773	34710A
F32	Ring, sealing	TH400 (accumulator piston outer)	1	65-70	8623672	34710B
F32	Ring, sealing (teflon)	TH400 (accumulator piston outer)	1	71-93	8627153	34712T
F32	Ring, sealing	TH400 (cast replaces teflon)	1	71-93	8627153	34712S
F33	Ring, sealing (cast iron)	TH400 (accumulator piston)	1	64-93	8623653	34711
F33	Ring, sealing (teflon)	TH400 (accumulator piston)	1	64-93	8623653	34711T
n/i	Ring, sealing	TH400 (turbine shaft w/variable pitch)	1	66-67	8623296	34120
CLUTCH PLATES						
B34	Friction .080" 5.901" od 42T	forward/direct clutch (smooth)	10	64-90	8655619	34304
B34	Friction .080" 5.901" od 42T	forward/direct clutch (tan grooved)	10	64-90	8624198	34304A
B34	Friction .080" 5.901" od 42T	forward/direct clutch (green waffle)	10	64-90	8625300	34304W
B34	Friction .080" 5.901" od 42T	forward/direct clutch (high performance)	10	64-90	8623483HP	34304H
B34	Friction .061" 5.901" od 42T	forward/direct clutch (Red Eagle)	ar	64-93	n/a	34304X
B35	Steel .077" 4.585" id 12T	forward clutch	4	65-90	8623849	34305A

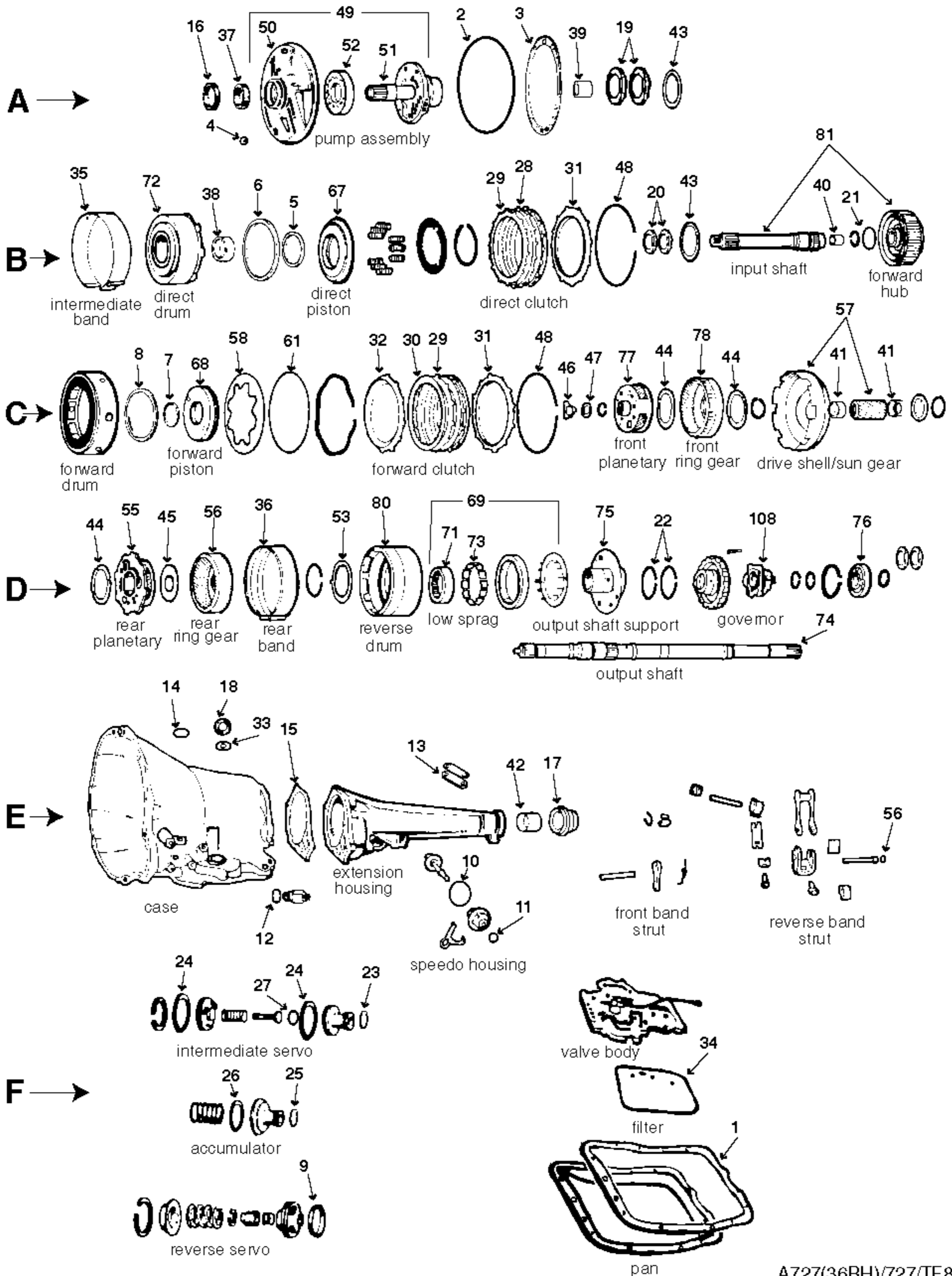
ILL	DESCRIPTION		QTY	YEAR	REFERENCE #	PART #
CLUTCH PLATES (CONTINUED)						
B35	Steel .077" 4.585" id 12T (Kolene®)	forward clutch	4	65-90	8623849	34305AK
B35	Steel .090" 4.585" id 12T	forward clutch	4/8	67-93	8625197	34305C
B35	Steel .090" 4.585" id 12T (Kolene®)	direct clutch	4/8	67-93	8628197	34305CK
B35	Steel .060" .090" 4.585" id 12T	forward/direct clutch	ar	64-93	n/a	34305
C36	Friction .080" 6.557" od 47T	intermediate clutch (tan smooth-wavey)	3	64-90	8655620	34404
C36	Friction .080" 6.557" od 47T	intermediate clutch (green waffle)	3	64-90	8623151	34404A
C36	Friction .080" 6.561" od 47T	intermediate clutch (high performance)	3	64-93	8623151HP	34404H
C37	Steel .070" 5.000" id 21T (waved)	intermediate clutch (cushion)	ar	66-93	8624199	34420
C37	Steel .100" 5.000" id 21T	intermediate clutch	3	64-90	8655621	34405
C37	Steel .100" 5.000" id 21T (Kolene®)	intermediate clutch	3	64-93	8623150	34405K
C37	Steel .063" 5.000" id 21T	intermediate clutch (undersized)	ar	64-93	8623150US	34405X
B40	Steel, waved .060"	forward/irect clutch (cushion)	1/2	65-90	8623851	34305B
B40	Steel, dished .055"	forward/direct clutch (cushion)	2	64-93	8625196	34305D
PRESSURE PLATES						
B38	Pressure plate	direct clutch	1	64-93	8661575	34421-R
C39	Pressure plate .435"	intermediate clutch	1	64-93	8623152	34422-R
B41	Pressure plate	forward clutch (also direct clutch hub)	1	64-93	8661837	34416-R
FILTERS						
K9	Kit, filter (1st type w/tube)	TH400 (Duraprene®)	1	64-67	6438346	DK34661
K9	Kit, filter (2nd type dacron flat)	TH400 (Duraprene®)	1	67-93	AE	DK34661A
K9	Kit, filter (2nd type brass flat)	TH400 (Duraprene®)	1	67-93	AE	DK34661S
K9	Kit, filter	TH425 (Duraprene®)	1	66-78	AE	DK34661B
K9	Kit, filter (1st type w/tube)	TH400 (neoprene/cork)	1	64-67	6438346	FK34661
K9	Kit, filter (2nd type dacron flat)	TH400 (neoprene/cork)	1	67-93	AE	FK34661A
K9	Kit, filter (2nd type brass flat)	TH400 (neoprene/cork)	1	67-93	AE	FK34661S
K9	Kit, filter	TH425 (neoprene/cork)	1	66-78	AE	FK34661B
F42	Filter (1st type w/tube)	TH400	1	64-67	5579822	34661
F42	Filter (2nd type dacron flat)	TH400	1	67-93	8637741	34661A
F42	Filter (2nd type brass flat)	TH400	1	67-93	AE	34661S
G41	Filter, w/tube	TH425	1	66-78	6438336	34661B
n/i	Screen, filter	TH400 (governor)	1	64-93	8627509	34713
MODULATORS						
E43	Modulator, single red stripe	adj 12-19.5 eda 1.7 sq inch dia	1	64-72	3035519	38820S
E43	Modulator, dual red stripe	TH400	1	64-93	8683187	38820E
E43	Modulator, black/red stripe	adj 12-19.5 eda 2.4 sq inch dia	1	73-93	3035518	35820F
BANDS						
C44	Band 1" wide	TH400 (front)	1	64-93	8629531	34325
C44	Band (heavy duty)	TH400 (front)	1	64-93	8629531HD	34325HD
D45	Band (double wrap)	TH400 (rear)	1	64-93	24200468	34510
D45	Band (double wrap)	TH400 (rear)	1	64-93	8623155	34510-R
BUSHINGS						
K13	Bushing kit	including 34005B extension bushing	1	66-76	AE	K34903
A46	Bushing (babbitt)	TH400 (pump body)	1	64-93	8623940	8005
AD47	Bushing (not in kit)	TH400 (stator)	2+2	64-93	8623944	34002
E49	Bushing (wide)	TH400 (output shaft)	1	64-74	8623943	34004
E49	Bushing	TH400 (output shaft)	1	74-93	8624988	34004A
C50	Bushing	TH400 (center support)	1	64-93	8623942	34003
E51	Bushing	TH400 (case)	1	64-93	8623941	34006
E52	Bushing 1.795" od .875" wide	Cadillac (extension housing)	2	65-67	8618167	19002A
E52	Bushing 1.995" od 1.5" w (large)	TH400 (extension housing)	1	65-76	8623966	34005A
E52	Bushing 1.995" od 1.0" w (large)	TH400 (extension housing)	1/2	66-93	8626901	34005B
E52	Bushing (babbitt) 1.626" od	TH375 (extension housing)	1	72-76	6260048	8008A
D53	Bushing	TH400 (planetary/carrier)	1	64-93	8623192	34008

TH400•400•3L80•TH375•TH425

TH400•3L80•375•425

ILL	DESCRIPTION	QTY	YEAR	REFERENCE #	PART #
BUSHINGS (CONTINUED)					
n/i	Bushing (not in kit)	1	64-93	30104A	30104A
WASHERS/BEARINGS/RACES/SHIMS					
K12	Kit, thrust bearing	1	64-93	AE	K34907A
K15	Kit, rear case bearing	1	65-93	TL-400-BK	TL400-BK
K14	Kit, thrust washer	1	64-93	AE	K34907
A54	Washer, thrust (metal) .062" yellow	sel	64-93	8623300	34208
A54	Washer, thrust (metal) .073" blue	sel	64-93	8623301	34208A
A54	Washer, thrust (metal) .084" red	sel	64-93	8623302	34208B
A54	Washer, thrust (metal) .095" brown	sel	64-93	8623303	34208C
A54	Washer, thrust (metal) .106" green	sel	64-93	8623304	34208D
A54	Washer, thrust (metal) .117" black	sel	64-93	8623305	34208E
A54	Washer, thrust (metal) .128" purple	sel	64-93	8623306	34208F
E55	Washer, thrust (metal) .060" (4 tabs)	2	64-93	8626372	32406
E55	Washer, thrust (plastic) .060" (4 tabs)	2	64-93	8626372	32406A
E57	Washer, thrust (metal) .075"-.078"	sel	64-93	8625401	34601
E57	Washer, thrust (metal) .082"-.086"	sel	64-93	8625402	34601A
E57	Washer, thrust (metal) .090"-.094"	sel	64-93	8625403	34601B
E57	Washer, thrust (metal) .098"-.102"	sel	64-93	8625404	34601C
E57	Washer, thrust (metal) .106"-.110"	sel	64-93	8625405	34601D
E57	Washer, thrust (metal) .114"-.118"	sel	64-93	8625406	34601E
E57	Washer, thrust (case saver)	1	64-93	34270T	34601X
C58	Washer, thrust (metal)	1	64-93	8623211	34401
B59	Washer, thrust (metal)	1	64-93	8624196	34339
B60	Thrust washer (metal)	1	64-93	8624781	34301
D61	Bearing, thrust (3 piece)	1	64-93	8623920	34920
D62	Bearing, thrust (3 piece)	1	64-93	8623921	34921
D63	Bearing, thrust (3 piece)	1	64-93	8623922	34922
PUMP PARTS AND PUMPS					
A65	Pump, assembly (variable pitch)	1	65-67	AE	34200-R
A65	Pump, assembly (non variable pitch)	1	65-90	AE	34200B-R
A65	Pump, assembly	1	71-93	AE	34200C-R
H66	Pump, body w/gears	1	66-78	AE	32200D-R
A67	Gear set, pump .725"	1	64-93	AE	K35201
A67	Gear set, pump .727"	1	64-93	AE	K35201B
HARD PARTS					
C68	Support, center	1	64-66	n/a	34846-R
C68	Support, center	1	67-89	8625990	34846A-R
C68	Support, center	1	90-93	8680914	34846B-R
F71	Governor assembly (2nd type)	1	64-93	8623852	34410
F71	Governor assembly (2nd type)	1	64-93	8623852	34410-R
G72	Governor assembly	1	66-78	8626853	34410A-R
F73	Kit, governor gear	1	64-93	8623924	K34411
H73	Kit, governor gear	1	64-93	8624939	K34411A
C74	Snap ring (spiral)	1	64-93	n/a	34418SR
D75	Planetary, output carrier assembly	1	64-93	8625957	34880-R
D75	Planetary, output carrier assembly	1	66-93	8681948	34880B-R
D76	Silencer, ring (plastic)	1	64-93	8626112	34999
D77	Planetary, reaction carrier assembly	1	64-67	8624971	34875-R
D77	Carrier, reaction	1	68-93	8675627	34875A-R
D77	Carrier, reaction (straight cut)	1	66-93	24205552	34875B-R
C78	Race, outer	1	64-93	8629487	34839-R
C79	Housing, direct clutch	1	70-93	24208745	34838-R
C79	Housing, direct clutch (smooth cam)	1	68-93	8627435	34836-R

ILL	DESCRIPTION	QTY	YEAR	REFERENCE #	PART #
HARD PARTS (CONTINUED)					
E80	Shaft, output 4WD Jeep Wagoneer TH400 (12-1/4" course spline)	1	73-93	8624900	34935E-R
E80	Shaft, output 4WD Chevy (6 1/4") TH400	1	74-79	8679978	34655-R
E80	Shaft, output w/bolt on yoke (9 1/4") TH400	1	79-93	8679974	34935B-R
E80	Shaft, output 4WD Chevy (7 1/4") TH400	1	77-93	88679991	34935C-R
E80	Shaft, output 4WD conversion 6 1/4" for 700-R4 to TH400	1	74-79	n/a	34655C-R
F81	Spring, rear accumulator (yellow) TH400	1	67-82	8625426	34706B
F81	Spring, rear accumulator (blue) TH400	1	67-93	8624256	34706
F81	Spring, rear accumulator (plain) TH400	1	65-93	8623667	34706A
E82	Clip, speedo drive gear TH400	1	67-93	8626089	34226
D83	Shaft, sun gear TH400	1	64-78	8623177	34872-R
D83	Shaft, sun gear TH400	1	79-93	8679955	34872A-R
G84	Chain, drive TH425	1	66-78	HV-001	34417
F85	Piston, front accumulator TH400 (aluminum)	1	65-93	8626883	34707
D86	Gear, sun TH400	1	64-78	n/a	34873-R
D86	Gear, sun TH400	1	79-93	8626807	34873A-R
D86	Gear, sun (straight cut) TH400 (straight cut)	1	66-93	8627130	34873B-R
D87	Mainshaft TH400	1	64-93	8681951	34871-R
D88	Gear, rear ring TH400	1	64-93	8683770	34874-R
D88	Gear, rear ring (straight cut) TH400 (straight cut)	1	64-96	8683771	34874B-R
B89	Hub (cast) TH400	1	65-93	8677091	34870A-R
F90	Pan, deep TH400	1	65-93	8655020	8655020
F91	Vent tube (plastic) TH400	1	65-93	8633408	96-189
n/i	Filler tube repair TH400	1	64-93	M99100A	96-140A
n/i	Bolt, deep pan TH400	1	68-93	8633208	8633208
n/i	Spacer, deep pan TH400	1	68-93	8629523	8629523
n/i	Tube, deep pan pick-up TH400	1	68-93	8629526	8629526
n/i	VB spacer plate TH400	1	87-93	8655887	8655887
n/i	Piston, 5-clutch w/o ball (aluminum) .650"-.690" thickness	1	64-93	AE	34515-R
n/i	Piston, 5-clutch w/ball (aluminum) .650"-.690" thickness	1	64-93	AE	34517-R
n/i	Piston, intermediate clutch (aluminum) TH400	1	64-93	AE	34519-R
ELECTRICAL COMPONENTS					
F141	Solenoid, detent (short wire) TH400 (mounts on valve body)	1	64-93	8629935	5A-100
F142	Connector, case (1 prong) TH400	1	64-64	2977975	5A-101
F142	Connector, case (2 prongs) TH400 (large w/variable pitch)	1	65-67	2984091	5A-101A
F142	Connector, case (1 prong) TH400 (large)	1	68-69	8629503	5A-101B
F142	Connector, w/insulation 1970-72 TH400/425 (large)	1	70-82	8629502	5A-102
n/i	Solenoid TH400/425 (stator control mounts on pump)	1	65-67	1993690	5A-99
n/i	Sensor, vehicle speed TH400	1	88-93	8655291	05-105
SPRAGS					
C69	Sprag (cage type)(heavy duty 34 elements) TH400 (intermediate clutch)	1	64-93	425-400-18	34418X
C69	Sprag (roller type) TH400 (intermediate clutch)	1	71-93	8625814	34419
D70	Sprag (roller type) TH400 (low clutch)	1	66-93	8623842	34402A
SPEEDO GEARS					
n/i	Gear, speedo 15T (metal) gray	1	64-90	8629548	02-226
n/i	Gear, speedo 17T (metal) red	1	64-90	8629548	02-228
n/i	Gear, speedo 18T (metal) light blue	1	64-90	8629549	02-230
n/i	Gear, speedo 19T (metal) yellow	1	64-90	8629550	02-232
n/i	Gear, speedo 21T (metal) black	1	64-90	8679937	02-234
n/i	Gear, speedo 20T (plastic) green	1	80-90	n/a	02-236
n/i	Gear, speedo 16T (metal) orange	1	64-90	n/a	02-238
n/i	Housing, speedo 36-39T large diameter (2-1/16" aluminum)	1	64-90	1362294	04-196
n/i	Housing, speedo 40-45T large diameter (2-1/16" aluminum)	1	64-90	1362293	04-198



A727(36RH)/727/TF8
22000

ILL	DESCRIPTION	QTY	YEAR	REFERENCE #	PART #
TECHNICAL MANUALS					
K53	Tech manual A727/ A904, dis/assembly	1	62-01	83-727904TM	010-102
REBUILDER KITS					
K4	Master deluxe rebuild kit	1	62-01	AE	K225E-R
K4	Master deluxe rebuild kit	1	62-70	AE	K225C-R
K4	Master deluxe rebuild kit	1	71-01	AE	K225D-R
K4	Master deluxe rebuild kit	1	71-01	AE	H225D-R
K5	Master kit w/steels	1	62-01	AE	K225E
K5	Master kit w/steels	1	62-70	AE	K225C
K5	Master kit w/steels	1	71-01	AE	K225D
K5	Master kit w/steels w/short ring kit	1	71-01	AE	K225DS
K6	Master kit w/o steels	1	62-01	AE	K225E-LS
K6	Master kit w/o steels	1	62-70	AE	K225C-LS
K6	Master kit w/o steels	1	71-01	AE	K225D-LS
K6	Master kit w/o steels w/short ring kit	1	71-01	AE	K225DS-LS
K7	O/H gasket set w/seals-rings	1	62-70	AE	K22950B
K7	O/H gasket set w/seals-rings	1	71-01	AE	K22950C
K7	O/H gasket set w/seals-rings	1	71-01	AE	K22950CS
K8	Kit, external seal	1	62-01	AE	K22950-2
K11	Gasket and seal kit	1	62-70	AE	K22950B-1
K11	Gasket and seal kit	1	71-01	AE	K22950C-1
K28	Kit, accumulator D-rings	1	78-01	AE	K12900-3
VALVE BODY KITS					
K15	NoYoYo® command service kit fix	1	62-01	SK® TF-SC	K22908
K15	Reprogramming Kit™	1	62-01	TF-2	TF-2
K15	Reprogramming Kit™ stick shift	1	62-01	TF-3	TF-3
K15	Shift Correction Package	1	62-01	KTF/TC	S22908
K15	Shift Improver Kit	1	66-70	10226	114-10226
K15	Shift Improver Kit	1	71-77	10225	114-10225
K15	Shift Improver Kit	1	78-79	10232	114-10232
K15	Transpak™	1	62-77	10228	114-10228
K15	Transpak™	1	78-79	10227	114-10227
K15	Manual Pak™	1	62-79	10219	114-10219
n/i	Spring, lock-up/TCC	1	78-01	MT8707	22981
GASKETS AND RUBBER COMPONENTS					
F1	Gasket, oil pan	1	62-01	2454324	3859LX
F1	Gasket, oil pan	1	62-01	2464324	3859D
A2	Seal, lathe cut	1	62-01	1942021	3857L
A3	Gasket	1	62-01	4028377	3856L
A4	Washer, coated	7	62-01	6023943	13268A
B5	Lip seal	1	62-71	2124820	3863L
B5	Lip seal	1	71-01	3410226	13310
B5	Lip seal	1	71-01	B28313	23522
B6	Lip seal	1	62-71	2124821	3272L
B6	Lip seal	1	71-01	3743237	13309
C7	Lip seal	1	62-01	1942054	3647L
C8	Lip seal	1	62-01	2124835	3391L
F9	Lip seal (viton)	1	64-01	4058741	3876L
E10	O'ring	1	62-65	1942259	3547L
E10	O'ring	1	66-01	6031370	3301AL
E11	Lip seal	1	62-65	2124328	3991AL
E11	Lip seal w/o spring	1	66-76	2538588	3991LS
E11	Lip seal w/spring	1	66-76	2538588HD	3991L
E11	Lip seal	1	77-01	4057047	3991AL

A727 (36RH)•727•TF8

A727•TF8

ILL	DESCRIPTION		QTY	YEAR	REFERENCE #	PART #
GASKETS AND RUBBER COMPONENTS (CONTINUED)						
E12	Washer (tapered)	A727 (neutral safety switch to case)	1	68-01	2908143	2627W
E12	O'ring	A727 (neutral safety switch to case)	1	62-67	1316849	13849
E13	Gasket	A727 (extension housing snap ring cover)	1	66-01	2801398	13254
E14	O'ring	filler tube to case	1	62-96	1316815	3291L
E14	Multi lip seal	A727 (filler tube to case)	1	97-01	52118629AB	13928
E15	Gasket	A727 (extension housing to case)	1	66-01	2466954	13253
F27	O'ring	kickdown servo piston (inner)	1	71-01	6028864	13332
E33	Lip seal	A727 (throttle shaft)	1	62-01	2466548	13207
E56	O'ring	reverse band lever shaft	1	62-01	3151160	13917
METAL CLAD SEALS						
A16	Seal, metal clad	front	1	62-01	3515137	22573A
E17	Seal, metal clad (w/boot)	A727 (extension housing)	1	65-01	3515383	16695C
E17	Seal, metal clad (w/flange w/o boot)	A727 (extension housing)	1	65-01	3515383NB	4743C
E17	Seal, metal clad	A727 (extension housing w/bolt-on yoke)	1	62-86	2205080	22978
E17	Seal, metal clad	A727 (extension housing w/bolt-on yoke)	1	87-01	4412507	22979
E18	Seal, metal clad 3/8" thick oversize	A727 (manual control lever closed type)	1	66-01	3878447HD	22575
E18	Seal, metal clad 1.254x.775x.254"	A727 (manual lever shaft)	1	66-01	3878447	22574
n/i	Seal, metal clad	A727 (adapter housing 4WD)	1	74-01	8132504	205-19236
SEALING RINGS						
K10	Kit, sealing ring	TF8/A727	1	62-70	AE	K22952A
K10	Kit, sealing ring	TF8/A727	1	71-01	AE	K22952B
K10	Kit, sealing ring	w/o servo and accumulator rings	1	71-01	AE	K22952S
B19	Ring, sealing	stator support	2	62-70	2124813	22550
B19	Ring, sealing	stator support	2	71-01	3515321	22550A
B19	Ring, sealing	stator support	2	78-01	3743689	22550C
B20	Ring, sealing	input shaft	2	62-66	1942041	22626
B20	Ring, sealing	input shaft	2	67-93	2801054	22626A
B20	Ring, sealing	input shaft	2	94-01	4741836	22627
B21	Ring, sealing	rear clutch retainer	1	78-01	4058443	22841
D22	Ring, sealing (butt joint)	governor support	2	62-01	1942109	12850
F23	Ring, sealing (butt joint)	intermediate servo piston (small)	1	62-01	2124851	22840
F24	Ring, sealing (butt joint)	inter servo piston (large)(servo guide)	2	62-01	1942123	22827
F25	Ring, sealing (metal)	accumulator piston (small)	1	62-01	1941831	12853L
F26	Ring, sealing (metal)	accumulator piston (large)	1	62-01	1315158	12770
CLUTCH PLATES						
B28	Friction .095" 6.700" od 62T (waffle)	direct clutch	3/4	62-01	4329846	22595B
B28	Friction .095" 6.700" od 62T	direct clutch (waffle)(green)	3/4	62-01	4329846	22595C
B28	Friction .061" 6.700" od 62T	direct clutch (high performance)	4/5	62-01	2801992HP	22642H
B28	Friction .095" 6.700" od 62T (high energy)	direct clutch	3/4	62-01	4617202	22595D
B29	Steel .068" 5.342" id 12T	direct clutch	3/4	62-01	2124826	22594
B29	Steel .088" 5.342" id 12T (oversized)	direct clutch	ar	62-01	21248260S	22594X
B29	Steel .068" 5.342" id 12T (Kolene®)	direct clutch	3/4	62-01	2124826	22594K
C29	Steel .068" 5.342" id 12T	forward clutch	3/4	62-01	2124826	22594
C29	Steel .088" 5.342" id 12T (oversized)	forward clutch	ar	62-01	21248260S	22594X
C29	Steel .068" 5.342" id 12T (Kolene®)	forward clutch	3/4	62-01	2124826	22594K
C30	Friction .061" 6.700" od 62T (smooth) 62T	forward clutch	4	62-01	2801992	22642A
C30	Friction .061" 6.700" od 62T	forward clutch (high performance)	4	62-01	2801992HP	22642H
PRESSURE PLATES						
B31	Pressure plate	direct clutch	1	62-01	2801961	22940-R
B31	Pressure plate (stepped plate)	direct clutch	ar	62-01	AE	22940S-R
C31	Pressure plate	forward clutch	1	62-01	2801961	22940-R
C31	Pressure plate (stepped plate)	forward clutch	ar	62-01	AE	22940S-R
C32	Pressure plate (beveled)	forward clutch (apply)	1	66-01	3466803	22760-R

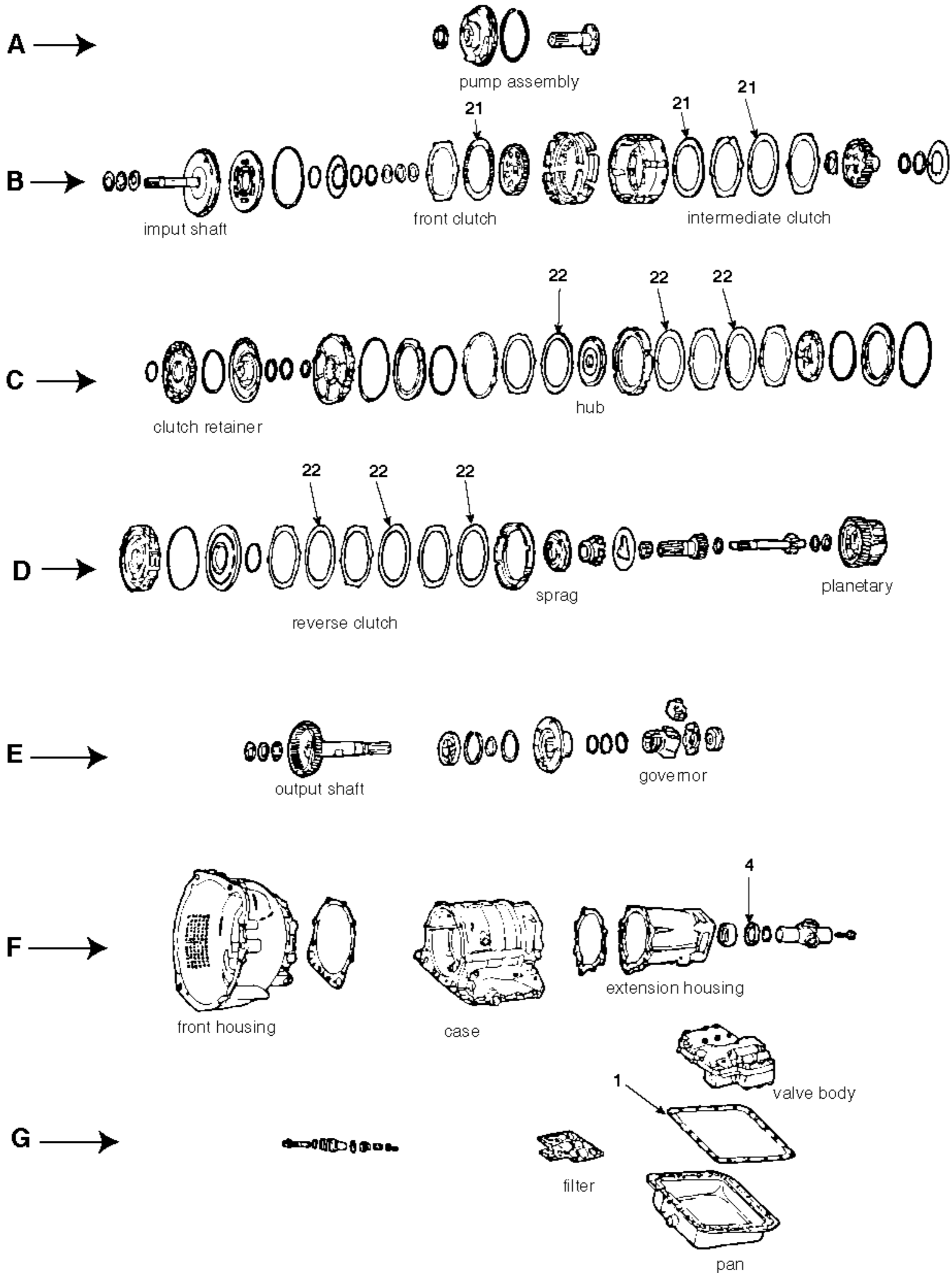
ILL	DESCRIPTION	QTY	YEAR	REFERENCE #	PART #
FILTERS					
K9	Kit, filter (small dacron) neoprene/cork	1	62-65	AE	FK8-12776A
K9	Kit, filter (small brass) neoprene/cork	1	62-65	AE	FK8-12776B
K9	Kit, filter neoprene/cork	1	66-01	AE	FK8-12776C
K9	Kit, filter neoprene/cork	1	66-01	AE	FK8-12776D
K9	Kit, filter (combo w/large dacron) neoprene/cork	1	66-01	AE	CFK-12776C
K9	Kit, filter (combo w/large dacron) Duraprene®	1	66-01	AE	CDK-12776C
K9	Kit, filter (small dacron) Duraprene®	1	62-65	AE	DK8-12776A
K9	Kit, filter (small brass) Duraprene®	1	62-65	AE	DK8-12776B
K9	Kit, filter Duraprene®	1	66-01	AE	DK8-12776C
K9	Kit, filter (large brass) Duraprene®	1	66-01	AE	DK8-12276D
F34	Filter (small dacron) TF8/A727	1	62-65	3621456	12776A
F34	Filter (small brass) TF8/A727	1	62-65	3410253	12776B
F34	Filter (large dacron) TF8/A727	1	66-01	3515996	12776C
F34	Filter (large brass) TF8/A727	1	66-01	3575996	12776D
n/i	Filter (in line assembly) TF8/A727	1	62-01	33243	22776
n/i	Screen, filter TF8/A727	1	62-01	5205839	48712
n/i	Screen, filter TF8/A727	1	69-01	3878313	48713
BANDS					
B35	Band, flex intermediate (kickdown)	1	62-01	3621491	22825F
D36	Band reverse (rear)	1	62-89	4443185	22900
D36	Band reverse (rear small diameter)	1	90-93	4505091	22900A
D36	Band reverse (rear large diameter)	1	91-01	4471456	22900B
BUSHINGS					
K13	Kit, bushing TF8/A727	1	62-70	AE	K22902
K13	Kit, bushing TF8/A727	1	71-01	AE	K22902A
A37	Bushing (babbit) front pump body	1	62-01	2205031	22003
A37	Bushing (bronze) front pump body	1	62-01	2466324	22003A
A37	Bushing (bronze w/dimples) front pump body	1	62-01	4531163	22003B
B38	Bushing direct drum (narrow)	1	62-70	2205241	22006
B38	Bushing (w/oil groove) direct drum	1	71-01	4058647	22006B
A39	Bushing (not in kits) stator support	1	62-66	2205240	22005
A39	Bushing stator support	1	67-93	2801348	22005A
A39	Bushing (not in kits) stator support	1	94-01	4617416	22005B
B40	Bushing input shaft	1	62-89	3681709	22001
C41	Bushing sun gear (front and rear)	2	62-01	1736520	22002
E42	Bushing, extension housing A727 (extension housing)	1	62-01	2801724	6023
n/i	Bushing (plastic) front ring gear	1	94-01	4617951	22025
WASHERS/BEARINGS/RACES/SHIMS					
K14	Kit, thrust washer w/3 tabs	1	62-65	AE	K22951
K14	Kit, thrust washer w/4 tabs	1	66-89	AE	K22951A
K14	Kit, thrust washer w/4 tabs	1	90-01	AE	K22951B
A43	Thrust washer .043" stator support to direct drum	sel	62-01	2204621	22449
A43	Thrust washer .061" stator support to direct drum	sel	62-01	2204622	22449A
A43	Thrust washer .084" stator support to direct drum	sel	62-01	2204623	22449C
A43	Thrust washer .102" stator support to direct drum	sel	62-01	2400284	22449D
B43	Thrust washer .061" stator support to direct drum	1	62-01	2204622	22449A
CD44	Thrust washer 3 tabs frt planet to frt rg gr to shell to rr plt	1/3	62-89	1942081	22700
CD44	Thrust washer 4 tabs frt planet to frt rg gr to shell to rr plt	2	89-01	2801060	22700A
CD44	Thrust washer 5 tabs frt planet to frt rg gr to shell to rr plt	2	96-01	4130518	22700B
C44	Thrust washer 6 tabs front ring gear to shell	1	96-01	4618000	22700C
D45	Thrust plate rear ring gear	1	65-01	2400580	22702
C46	Thrust washer (bronze) forward hub to race	1	62-79	2400843	22665
C46	Thrust washer 3 external tabs forward hub to race (oversize shaft)	1	77-89	3681688	22665X

A727 (36RH)•727•TF8

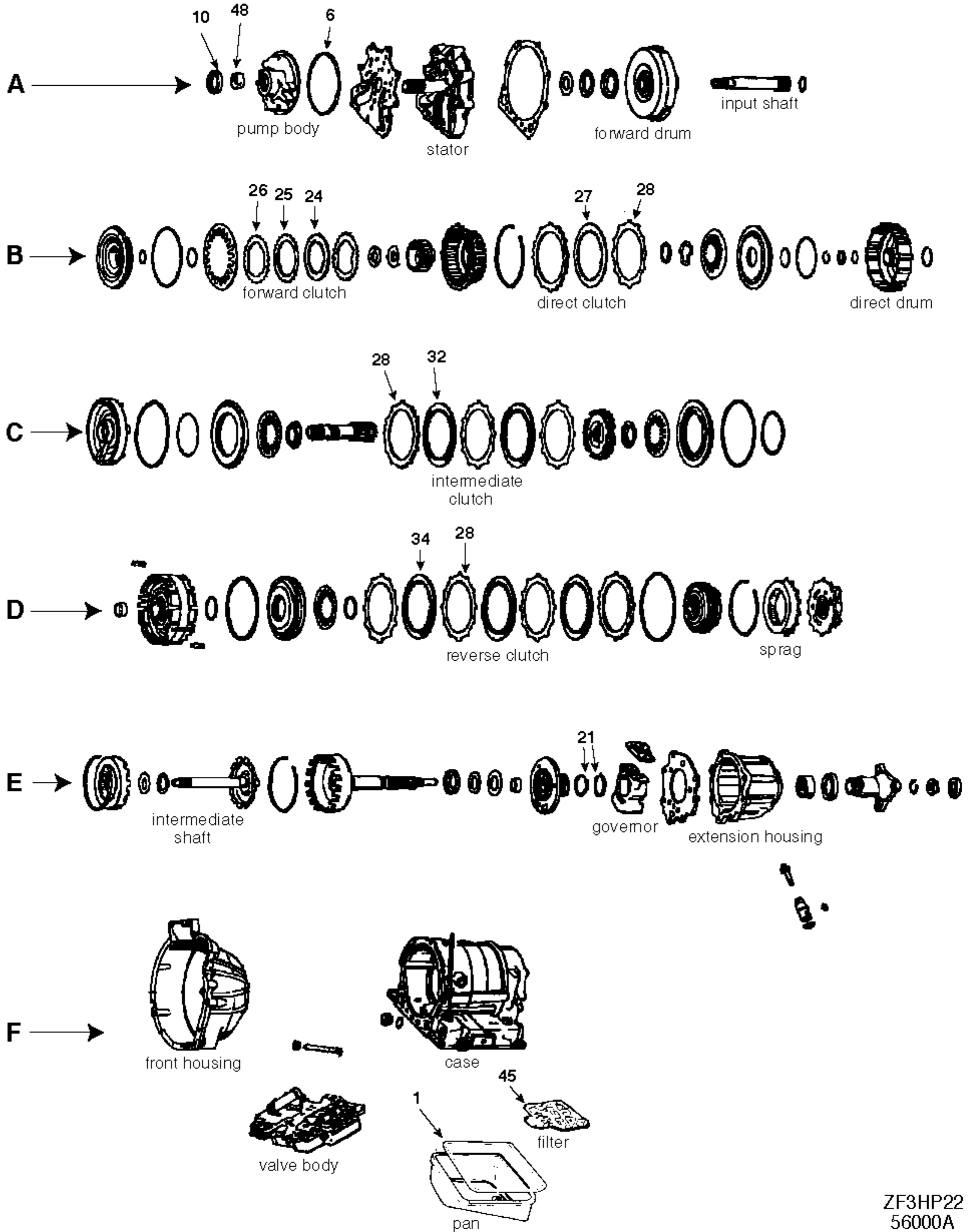
A727•TF8

ILL	DESCRIPTION	QTY	YEAR	REFERENCE #	PART #
WASHERS/BEARINGS/RACES/SHIMS (CONTINUED)					
C46	Thrust washer .052" 3 external tabs (gray) forward hub to race	sel	90-01	4505185	12706
C46	Thrust washer .068" 3 external tabs (red) forward hub to race	sel	90-01	4505186	12706A
C46	Thrust washer .083" 3 ext tabs (green) forward hub to race	sel	90-01	4505187	12706B
C47	Race thrust washer to output shaft	1	78-89	4329806	22665B
C47	Race thrust washer to output shaft	1	90-01	4505188	12707
D53	Thrust washer 2 tabs snap ring to reverse drum	1	89-01	52118059	22735
SNAP RINGS					
BC48	Snap ring .062" forward and direct clutch retainer	sel	62-01	1942063	22601
BC48	Snap ring .074" forward and direct clutch retainer	sel	62-01	1942064	22601A
BC48	Snap ring .088" forward and direct clutch retainer	sel	62-01	1942065	22601B
BC48	Snap ring .106" forward and direct clutch retainer	sel	62-01	2466811	22601C
PUMP PARTS AND PUMPS					
A49	Pump, front assembly - complete TF8/A727	1	67-70	AE	22200A-R
A49	Pump, front assembly - complete TF8/A727	1	71-77	AE	22200C-R
A49	Pump, assembly w/o lock-up	1	78-93	AE	22200D-R
A49	Pump, assembly w/lock-up	1	78-93	AE	22200E-R
A49	Pump, assembly w/o lock-up	1	94-01	AE	22200G-R
B51	Support, stator TF8/A727	1	71-77	3878343	22400C-R
B51	Support, stator w/o lock-up	1	78-93	4471445	22400D-R
B51	Support, stator w/lock-up	1	78-93	4471444	22400E-R
B51	Support, stator w/o lock-up	1	94-01	AE	22400G-R
A52	Gears, pump (rotor type) 14 lobes on inner 15 lobes on outer	1	62-93	3780239	K22201
A52	Gears, pump (rotor type) 11 lobes on inner 12 lobes on outer	1	94-01	AE	K22201C
HARD PARTS					
D55	Planetary, rear 3 pinions (aluminum) TF8/A727	1	62-01	2466539	22753-R
D55	Planetary, rear 4 pinions (aluminum) TF8/A727	1	74-01	2801061	22753A-R
D55	Planetary, rear 5 pinions TF8/A727	1	94-99	441438	22753B-R
D56	Gear, rear ring TF8/A727	1	66-01	4617779	22749-R
C57	Shell, drive w/sun gear 3 tab washer	1	66-93	AE	22728-R
C57	Shell, drive w/sun gear 6 tab washer	1	94-01	AE	22728A-R
C58	Spring, diaphragm .072" forward clutch return	1	62-01	3473621	22637A
C58	Spring, diaphragm .072" forward clutch return	1	62-01	3473621	22637A-R
C61	Spacer (plastic) forward clutch spring	1	67-01	3515077	22638
B67	Piston, direct clutch TF8/A727	1	62-02	AE	22751-R
C68	Piston, forward clutch TF8/A727	1	62-01	AE	22752-R
D69	Kit, w/bolt in cam (correct stripped case) w/o race and springs and roller	1	62-89	RK22961M	K22961X-R
D69	Kit, overrun clutch repair cam/race/springs and rollers	1	62-89	1942095	K22961-R
D71	Race, overrun clutch inner TF8/A727	1	62-89	3420100	22750-R
B72	Drum, direct 4 clutch (wide bushing) TF8/A727	1	71-01	4058648	22767-R
B72	Drum, direct 3 clutch (wide bushing) TF8/A727	1	71-01	4058437	22761-R
D74	Shaft, output 13 1/2" long 4WD Jeep TF8/A727	1	76-01	4130543	22168-R
D74	Shaft, output 17 1/2" long 4WD TF8/A727	1	74-79	4106597	22169-R
D74	Shaft, output 16" long 4WD TF8/A727	1	80-01	4746945	22172-R
D75	Support, output shaft TF8/A727	1	62-89	2466882	22754
D75	Support, output shaft TF8/A727	1	62-89	2466882	22754-R
D75	Support, output shaft TF8/A727	1	90-01	52118245	22754A
D75	Support, output shaft TF8/A727	1	90-01	52118245	22754A-R
D76	Bearing, ball output shaft	1	62-01	2466224	22976
D76	Bearing, ball 1.23" id output shaft	ar	90-01	4130537	22976A
C77	Planetary, front 3 pinions TF8/A727	1	76-01	5652675	22135-R
C77	Planetary, front 4 pinions (aluminum) TF8/A727	1	76-01	4428224	22136
C77	Planetary, front 4 pinions (aluminum) TF8/A727	1	76-01	4428224	22136-R
C77	Planetary, front 5 pinions (steel) TF8/A727	1	94-99	4617612	22137-R

ILL	DESCRIPTION	QTY	YEAR	REFERENCE #	PART #	
HARD PARTS (CONTINUED)						
C78	Gear, ring front (58T clutch)	TF8/A727	1	66-01	2892656	22140-R
D80	Drum, reverse	TF8/A727	1	62-89	4446112	22757-R
D80	Drum, reverse w/12 roller clutch	small band	1	90-93	4505095	22757A-R
D80	Drum, reverse w/14 roller clutch	TF8/A727	1	91-01	52118057	22757C
D80	Drum, reverse w/14 roller clutch	TF8/A727	1	91-01	52118057	22757C-R
C81	Shaft, input w/hub (w/o lock-up)	TF8/A727	1	78-93	4505179	22731-R
C81	Shaft, input w/hub (w/lock-up)	TF8/A727	1	78-93	4505178	22731A-R
C81	Shaft, input w/hub (w/o lock-up)	TF8/A727	1	94-01	AE	22731E-R
D108	Governor	TF8/A727	1	62-01	4740006	22410-R
n/i	Lever, detent w/insulator	rooster comb	1	69-01	3410484	22420-R
n/i	Piston, reverse servo (steel)	TF8/A727	1	62-01	K029	22528
n/i	Strut, front band (heavy duty)	TF8/A727	1	62-01	K031	22718
n/i	Piston, accumulator (aluminum)	A727 (in case)	1	65-01	3743650	12703-R
n/i	Piston, reverse servo 1.585" oh	TF8/A727	1	64-65	AE	22529-R
ELECTRICAL COMPONENTS						
n/i	Connector, case 1 prong	TF8/A727	1	86-01	4348945	5A-151
n/i	Solenoid, w/wiring 1 wire	A727	1	86-01	4348719	5A-150
n/i	Switch, neutral safety 3 prongs (long)	A727	1	69-86	2932820	15A-627B
n/i	Switch, neutral safety 3 prongs (short)	A727	1	86-01	4057750	15A-627C
SPRAGS						
D73	Kit, spring and roller w/12 rollers	TF8/A727	1	62-93	2808673	K22960
D73	Sprag w/14 rollers	low	1	91-01	4617199	K22962
SPEEDO GEARS						
n/i	Gear, speedo driven gear 24T	with metal shaft	1	65-01	n/a	03-402
n/i	Gear, speedo driven gear 25T	with metal shaft (light blue)	1	65-01	n/a	03-404
n/i	Gear, speedo driven gear 26T	with metal shaft (red)	1	65-01	n/a	03-406
n/i	Gear, speedo driven gear 27T	with metal shaft (natural)	1	65-01	n/a	03-408
n/i	Gear, speedo driven gear 28T	with metal shaft (light blue)	1	65-01	n/a	03-410
n/i	Gear, speedo driven gear 29T	with metal shaft (black)	1	65-01	n/a	03-412
n/i	Gear, speedo driven gear 30T	with metal shaft (yellow)	1	65-01	n/a	03-414
n/i	Gear, speedo driven gear 31T	with metal shaft (green)	1	65-01	n/a	03-416
n/i	Gear, speedo driven gear 32T	with metal shaft (black)	1	65-01	n/a	03-418
n/i	Gear, speedo driven gear 39T	with metal shaft (green)	1	65-01	n/a	03-420
n/i	Gear, speedo driven gear 40T	with metal shaft (orange)	1	65-01	n/a	03-422
n/i	Gear, speedo driven gear 45T	with metal shaft	1	65-01	n/a	03-424
n/i	Gear, speedo driven gear 25T	without metal shaft (blue)	1	80-01	n/a	03-426
n/i	Gear, speedo driven gear 30T	without metal shaft (yellow)	1	80-01	n/a	03-428
n/i	Gear, speedo driven gear 32T	without metal shaft	1	80-01	n/a	03-430
n/i	Gear, speedo driven gear 27T	without metal shaft (natural)	1	80-01	n/a	03-432
n/i	Gear, speedo driven gear 33T	without metal shaft	1	80-01	n/a	03-434
n/i	Gear, speedo driven gear 29T	without metal shaft (black)	1	80-01	n/a	03-436
n/i	Gear, speedo driven gear 31T	without metal shaft (green)	1	80-01	n/a	03-438
n/i	Gear, speedo driven gear 28T	without metal shaft (blue)	1	80-01	n/a	03-440
n/i	Gear, speedo driven gear 22T	without metal shaft (green)	1	80-01	n/a	03-442
n/i	Gear, speedo driven gear 35T	with metal shaft (orange)	1	65-01	n/a	03-444
n/i	Gear, speedo driven gear 29T	with metal shaft (orange)	1	65-01	n/a	03-446
n/i	Gear, speedo driven gear 37T	with metal shaft	1	65-01	n/a	03-448
n/i	Gear, speedo driven gear 38T	with metal shaft (blue)	1	65-01	n/a	03-450
n/i	Gear, speedo driven gear 22T	without metal shaft (green)	1	80-01	n/a	03-452
n/i	Gear, speedo driven gear 23T	without metal shaft (red)	1	80-01	n/a	03-454
n/i	Gear, speedo driven gear 24T	without metal shaft (natural)	1	80-01	n/a	03-456
n/i	Gear, speedo driven gear 26T	without metal shaft (red)	1	80-01	n/a	03-458

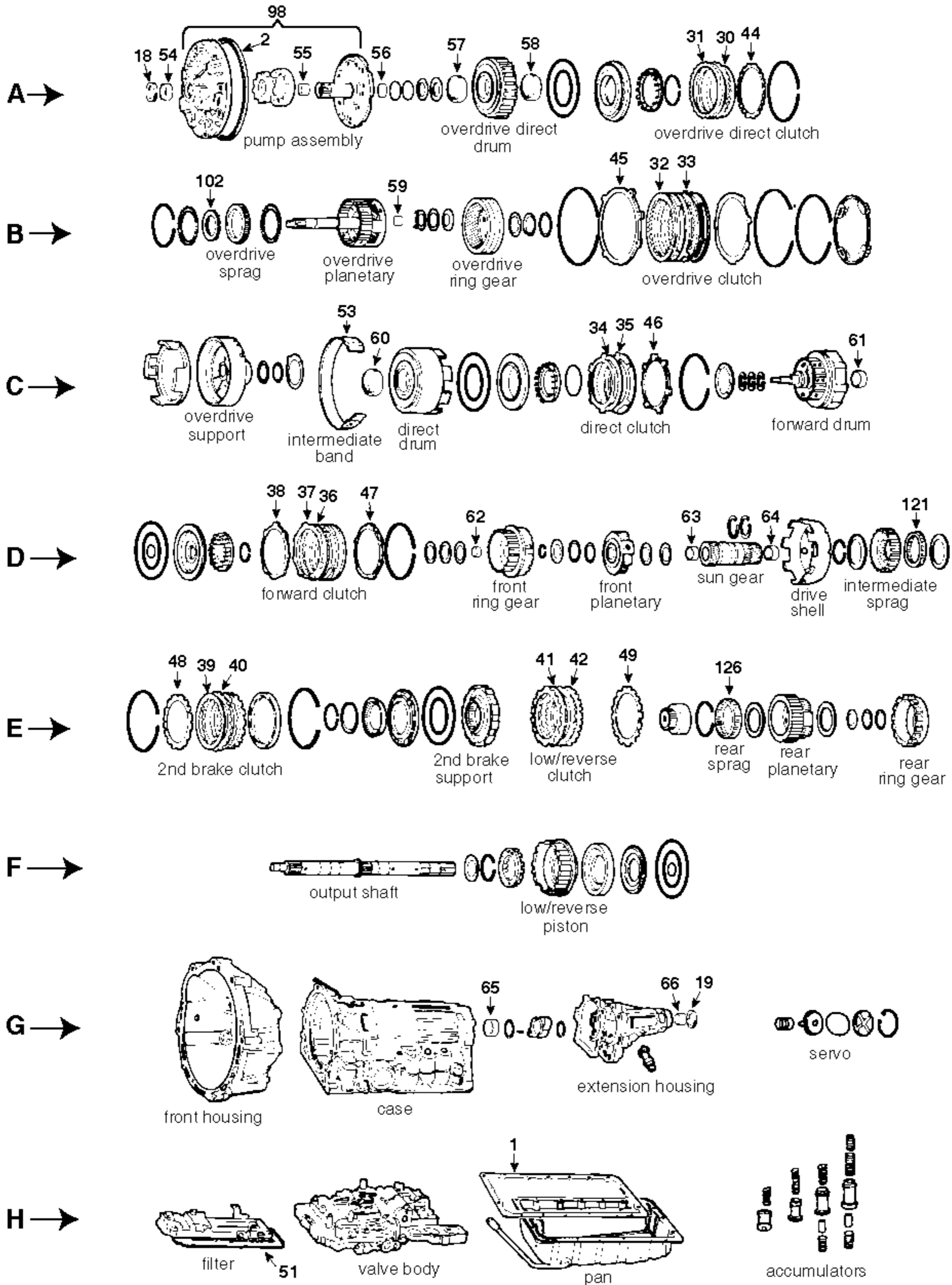


ZF3HP12/ZF3HP20
56000



ZF3HP22
56000A

ILL	DESCRIPTION	QTY	YEAR	REFERENCE #	PART #	
REBUILDER KITS						
K4	Master deluxe rebuild kit	ZF3HP22	1	76-84	AE	K5600A-R
K5	Master kit w/steels	ZF3HP22	1	76-84	AE	K5600A
K6	Master kit w/o steels	ZF3HP22	1	76-84	AE	K5600A-LS
K7	O/H gasket set w/seals-rings	ZF3HP22	1	76-84	AE	K56900A
GASKETS AND RUBBER COMPONENTS						
F1	Gasket, oil pan (molded rubber)	ZF3HP22	1	76-84	24-11-1-205-903	13620R
A6	O'ring	pump body	1	76-84	24-31-1-206-029	23058
n/i	Gasket, filter spacer to valve body	ZF3HP22	1	76-84	24-34-1-205-974	13640
METAL CLAD SEALS						
A10	Seal, metal clad 40x52x7mm	front	1	74-84	24-31-1-207-621	56200D
n/i	Seal, metal clad	extension housing	1	76-84	24-11-1-218-009	56201B
n/i	Seal, metal clad	shift shaft	1	76-84	24.34-1-207-430	56202
SEALING RINGS						
K10	Kit, sealing ring-complete	ZF3HP22	1	76-84	AE	K56300A
n/i	Sealing ring	input shaft	1	76-84	24-31-1-207-621	56307
n/i	Sealing ring	sun gear shaft	2	76-84	24.21-1-216-358	56304
E21	Sealing ring	governor support	2	76-84	24-32-1-205-972	56300
n/i	Sealing ring	direct clutch	1	76-84	24-23-1-215-840	56301
CLUTCH PLATES						
B24	Friction .061" 3.931" od 34T	forward clutch	4/5	76-84	1058-270-020	56103A
B25	Steel .071" 3.000" id 24T	forward clutch	5/6	76-84	1043-302-046	56100
B25	Steel .082" 3.000" id 24T	forward clutch	sel	76-84	1043-302-127	56100A
B25	Steel .060" 3.000" id 24T	forward clutch	sel	76-84	APC-53711	56100B
B25	Steel .047" 3.000" id 24T	forward clutch	sel	76-84	1043-302-123	56100C
B26	Steel .040" 3.000" id 24T (waved)	forward clutch	2	76-84	1043-302-001	56105
B27	Friction .061" 5.629" od 58T	direct clutch	4	76-84	1043-202-041	56102B
B28	Steel .071" 4.728" id 12T	direct clutch	4	76-84	0301-302-037	56101
C32	Friction .059" 5.629" od 24T	intermediate clutch	4	76-84	1043-202-041	56102A
C28	Steel .071" 4.728" id 12T	intermediate clutch	3/4	76-84	0301-302-037	56101
D34	Friction .063" 5.625" od 48T	reverse clutch	4/5	76-84	1056-210-053	56106A
D28	Steel .071" 4.690" id 12T	reverse clutch	3/4	76-84	0301-302-037	56101K
n/i	Steel .047" 4.690" id 12T	direct/intermediate/reverse clutch	sel	76-84	0301-317-013	56101C
n/i	Steel .047" 4.690" id 12T (waved)	direct/intermediate/reverse clutch	sel	76-84	1043-302-036	56101D
n/i	Steel .060" 4.690" id 12T	direct/intermediate/reverse clutch	sel	76-84	1043-302-020	56101E
n/i	Steel .082" 4.690" id 12T	direct/intermediate/reverse clutch	sel	76-84	1043-302-021	56101F
FILTERS						
K9	Kit, filter	ZF3HP22	1	76-84	AE	FK56800A
F45	Filter	ZF3HP22	1	76-84	1024-223-3002	56800A
BUSHINGS						
A48	Bushing .500"	pump body	1	76-84	0501-3114-526	56005
n/i	Bushing	1st housing/center support/governor	3	76-84	n/a	56003
PUMP PARTS AND PUMPS						
A	Shaft, stator (push-out)	ZF3HP22	1	76-84	n/a	56969
A	Body, pump w/gears	ZF3HP22	1	76-84	AE	56300-R
A	Support, pump w/shaft	ZF3HP22	1	76-84	AE	56400-R
HARD PARTS						
n/i	Valve body	ZF3HP22	1	76-84	AE	56285-R
SPRAGS						
n/i	Sprag, low	staked in low planetary	1	76-84	24-23-1-215-338	56503
NOTES						



A340•A341E•A343E•A350•AW4•AW30-40LE
54000/J/X/W

ILL	DESCRIPTION		QTY	YEAR	REFERENCE #	PART #
TECHNICAL MANUALS						
K53	Tech manual A340E Trooper/Rodeo	dis/assembly (diagnosis/troubleshooting)	1	85-10	83-3080LETM	010-410
K53	Tech manual A340H/A55 transfer case	dis/assembly (diagnosis/troubleshooting)	1	85-92	83-34055TM	010-705
REBUILDER KITS						
K5	Master kit w/steels	All pickups/4 Runner/Trooper	1	85-92	AE	K5400
K5	Master kit w/steels	Cresida/Supra (w/o turbo)	1	85-92	AE	K5400A
K5	Master kit w/steels	Pickup/4 Runner (with L/4)	1	93-95	AE	K5400B
K5	Master kit w/steels	PU/4 Runner/T100 (with V/6)	1	93-95	AE	K5400C
K5	Master kit w/steels	SC 300	1	92-95	AE	K5400C
K5	Master kit w/steels	Supra w/o turbo	1	93-98	AE	K5400C
K5	Master kit w/steels	Previa 2WD	1	93-97	AE	K5400C
K5	Master kit w/steels	Montero (wth V/6 3.0)L	1	94-95	AE	K5400E
K5	Master kit w/steels	T100/Tacoma (with L/4)	1	95-99	AE	K5400F
K5	Master kit w/steels	4 Runner (with L/4)	1	96-04	AE	K5400F
K5	Master kit w/steels	Montero Sport (with V/6 3.0L)	1	97-98	AE	K5400F
K5	Master kit w/steels	SC 300	1	96-99	AE	K5400G
K5	Master kit w/steels	Supra w/turbo	1	86-92	AE	K5400H
K5	Master kit w/steels	Previa AWD/Montero (with V/6 3.5L)	1	93-95	AE	K5400J
K5	Master kit w/steels	T100/Tacoma (with V/6)	1	95-99	AE	K5400K
K5	Master kit w/steels	4 Runner (with V/6)	1	96-04	AE	K5400K
K5	Master kit w/steels	Montero with V/6 3.5L	1	96-98	AE	K5400K
K5	Master kit w/steels	Supra w/turbo/LS 400/SC 400	1	93-98	AE	K5400L
K5	Master kit w/steels	LS 400 SC 400/GS 300	1	90-94	AE	K5400M
K5	Master kit w/steels	GS 300	1	93-94	AE	K5400N
K5	Master kit w/steels	GS 300	1	95-95	AE	K5400P
K5	Master kit w/steels	Volvo	1	92-98	AE	K5400R
K5	Master kit w/steels	Tacoma Regular Cab (A340/343E)	1	00-10	AE	K5400Y
K5	Master kit w/steels	LX 450/LX 470/Land Cruiser (A343F)	1	95-99	AE	K5400W
K5	Master kit w/steels	A350E (GS 300)	1	96-97	AE	K5400X
K5	Master kit w/steels	transfer case only	1	85-91	AE	K5400T
K6	Master kit w/o steels	PU/Runner	1	85-95	AE	K5400-LS
K6	Master kit w/o steels	Cresida/Supra w/o turbo	1	85-98	AE	K5400-LS
K6	Master kit w/o steels	Trooper	1	88-91	AE	K5400-LS
K6	Master kit w/o steels	SC 300	1	92-95	AE	K5400-LS
K6	Master kit w/o steels	T100	1	93-95	AE	K5400-LS
K6	Master kit w/o steels	Previa 2WD	1	93-97	AE	K5400-LS
K6	Master kit w/o steels	Montero/Sport (with V/6 3.0L)	1	94-98	AE	K5400D-LS
K6	Master kit w/o steels	T100/Tacoma/4 runner	1	96-04	AE	K5400D-LS
K6	Master kit w/o steels	SC 300	1	96-00	AE	K5400D-LS
K6	Master kit w/o steels	Supra w/turbo	1	86-92	AE	K5400H-LS
K6	Master kit w/o steels	Previa AWD	1	93-95	AE	K5400H-LS
K6	Master kit w/o steels	Montero (with V/6 3.5L)	1	94-98	AE	K5400H-LS
K6	Master kit w/o steels	T100/Tacoma/4 Runner (with V/6)	1	95-04	AE	K5400H-LS
K6	Master kit w/o steels	LS 400/SC 400	1	90-97	AE	K5400L-LS
K6	Master kit w/o steels	GS300	1	93-95	AE	K5400L-LS
K6	Master kit w/o steels	Supra w/turbo	1	93-98	AE	K5400L-LS
K6	Master kit w/o steels	GS 300	1	93-95	AE	K5400L-LS
K6	Master kit w/o steels	Volvo	1	92-98	AE	K5400L-LS
K6	Master kit w/o steels	LX 450/LX 470/Land Cruiser (A343F)	1	95-99	AE	K5400W-LS
K6	Master kit w/o steels	GS 300 (A350E)	1	96-97	AE	K5400X-LS
K6	Master kit w/o steels	Tacoma Regular Cab (A340/343E)	1	00-10	AE	K5400Y-LS
K6	Master kit w/o steels	transfer case only	1	85-94	AE	K5400T-LS
K7	O/H gasket set w/seals-rings	A340H/E	1	94-01	AE	K54900
K7	O/H gasket set w/seals-rings	A343F/A350E	1	95-99	AE	K54900W

A340•340•A341E•A343E•A350•AW30-40LE

A340•A341E•A343E•A350•AW30-40LE

ILL	DESCRIPTION		QTY	YEAR	REFERENCE #	PART #
REBUILDER KITS (CONTINUED)						
K7	O/H gasket set w/seals-rings	A340/343E	1	00-10	AE	K54900Y
K7	O/H gasket set w/seals-rings	transfer case only	1	85-99	AE	K54900T
GASKETS AND RUBBER COMPONENTS						
H1	Gasket, transmission oil pan	neoprene/cork	1	85-10		13810X
H1	Gasket, transmission oil pan	Duraprene®	1	85-10		13810D
n/i	Gasket, Transfer case pan	neoprene/cork	1	85-91	35178-30010	13820X
n/i	Gasket, Transfer case pan	Duraprene®	1	85-91	35178-30010f	13820D
n/i	Gasket, filter spacer	4WD	1	85-10	35336-60010	23004
n/i	Gasket, filter	2WD	1	85-10	35339-30070	23005
A2	O'ring	pump to case	1	85-10	90301-99033	1082
n/i	O'ring	filler tube	1	85-10	90301-09011	23009
n/i	O'ring	A350E (filler tube)	1	96-10	90301-09173	13103
METAL CLAD SEALS						
A18	Seal, metal clad	front	1	85-10	90311-38129	46200
G19	Seal, metal clad	except below (extension housing)	1	85-10	90311-40001	42201
G19	Seal, metal clad	Cressida (extension housing)	1	86-87	90311-38040	42201A
G19	Seal, metal clad 2.170" od (not in kit)	Lexus w/A341E/A350E (extension housing)	1	90-10	90311-42024	46201
G19	Seal, metal clad 2.170" od (not in kit)	Volvo (extension housing)	1	93-10	3549226-3	46201
n/i	Seal, metal clad (not in kit)	A340F (adapter housing)	1	90-94	90311-40007	54152
n/i	Seal, metal clad (not in kit)	A340F (adapter housing)	1	95-99	90311-48016	77203
n/i	Seal, metal clad	speedo driven gear (S type)	1	85-10	90310-09001	46203
n/i	Seal, metal clad 12x22x7mm	manual lever shaft	1/3	85-10	90311-12002	46202
n/i	Seal, metal clad	output flange transfer case (front/rear)	2	85-94	90316-40001	54154
n/i	Seal, metal clad	chain case (front and rear except V/6)	2	85-88	90316-58002	54156
n/i	Seal, metal clad	chain case (front/rear outer V/6 11/87)	1	89-10	90310-58001	54155
n/i	Seal, metal clad	chain case (front/rear outer V/6 11/87)	1	89-10	90310-77001	54157
n/i	Seal, metal clad	adapter housing	1	00-10	n/a	54158
n/i	Seal, metal clad	A350E (output shaft to prop shaft yoke)	1	96-97	90311-24001	54159
SEALING RINGS						
K10	Kit, sealing ring	A340H/E	1	85-10	AE	K54300
K10	Kit, sealing ring	A343F/A350E	1	95-10	AE	K54300W
CLUTCH PLATES						
A30	Friction .083" 4.973" od 32T	overdrive direct clutch	2	85-10	35633-30040	54101
A31	Steel .079" 4.127" id 24T	overdrive direct clutch	1/2	85-10	34616-30010	54107
A31	Steel .118" 4.127" id 24T	Lexus (overdrive direct clutch)	1	90-94	34616-50010	54112
A31	Steel .098" 4.127" id 24T	Volvo (overdrive direct clutch)	1	92-98	3549181-0	54107A
B32	Friction .081" 6.529" od 24T	overdrive clutch	3/5	85-10	35633-50010	54100
B33	Steel .079" 5.634" id 6T	small od overdrive clutch	3/4	85-10	34634-30030	54106
B33	Steel .078" 5.634" id 6T	Volvo (large od overdrive direct clutch)	3/4	92-98	34634-30021	54106A
C34	Friction .083" 5.178" od 40T (waved)	direct clutch	3/5	85-10	35677-50030	54102
C35	Steel .118" 4.127" id 6T	direct clutch	3/4	85-10	35647-14010	54108
C35	Steel .091" 4.127" id 6T	direct clutch	1/4	85-10	35647-30011	54124
C35	Steel .091" 4.127" id 24T	direct clutch	4	00-10	35647-22030	54136
C35	Steel .071" 4.127" id 6T	direct clutch	4	93-10	35634-32020	75137
D36	Friction .067" 4.973" od 40T	forward clutch	6	85-10	35677-14010	54103
D36	Friction .083" 4.973" od 40T	forward clutch	4/5	85-97	35677-30090	54103A
D36	Friction .075" 4.973" od 40T	forward clutch	6/7	90-98	35677-50010	54103B
D36	Friction .079" 4.973" od 40T	forward clutch	5	87-10	35677-30170	54103C
D37	Steel .079" 4.138" id 8T	forward clutch	5	85-10	35634-30100	54109
D37	Steel .071" 4.138" id 8T	forward clutch	6/7	85-10	35634-32020	75101
D37	Steel .091" 4.138" id 8T	forward clutch	4/6	92-10	35634-30110	54109A
D38	Steel, cushion plate	forward clutch	ar	85-10	35672-50010	54111
E39	Friction .081" 5.178" od 32T	2nd brake clutch	4/5	85-10	35667-50020	54104

ILL	DESCRIPTION	QTY	YEAR	REFERENCE #	PART #	
CLUTCH PLATES (CONTINUED)						
E40	Steel .071" 4.152" id 16T	2nd brake clutch	1	85-10	35647-30030	54110
E40	Steel .098" 4.152" id 16T	2nd brake clutch	4	85-10	35647-30020	54110A
E41	Friction .067" 5.092" od 32T	low/reverse clutch	6/7	85-10	35677-30110	54105
E42	Steel .071" 4.319" id 15T	low/reverse clutch	5/7	85-10	35648-30031	54114
n/i	Friction .067" 5.597" od 44T	transfer case (direct clutch)	5/7	85-91	35653-35020	54120
n/i	Steel .071" 4.580" id 29T	transfer case (direct clutch)	5/7	85-91	34656-35010	54122
n/i	Steel .100" 4.580" id 29T	transfer case (direct clutch)	ar	85-91	34656-35020	54122A
n/i	Friction .067" 6.808" od 53T	transfer case (low clutch)	4/7	85-91	35683-35020	54121
n/i	Steel .071" 5.954" id 8T	transfer case (low clutch)	4/6	85-91	34686-35010	54123
n/i	Steel, cushion plate	transfer case (low clutch)	1	85-91	34687-35010	54115
n/i	Friction .067" 5.597" od 44T	transfer case (front drive)	5/7	85-91	35653-35020	54120
n/i	Steel .071" 4.580" id 29T	transfer case (front drive)	6/7	85-91	34656-35010	54122
n/i	Steel .100" 4.580" id 29T	transfer case (front drive)	ar	85-91	35656-35020	54122A
PRESSURE PLATES						
A44	Pressure plate .122" 3.1mm	overdrive direct clutch	sel	85-10	34615-30070	54127-R
B45	Pressure plate .130" 3.3mm	overdrive brake clutch	sel	85-10	34625-30090	54130-R
B45	Pressure plate .138" 3.5mm	overdrive brake clutch	sel	85-10	34625-30080	54130A-R
B45	Pressure plate .142" 3.6mm	overdrive brake clutch	sel	85-10	34625-30070	54130B-R
B45	Pressure plate .146" 3.7mm	overdrive brake clutch	sel	85-10	34625-30060	54130C-R
B45	Pressure plate .150" 3.8mm	overdrive brake clutch	sel	85-10	34625-30050	54130D-R
B45	Pressure plate .154" 3.9mm	overdrive brake clutch	sel	85-10	34625-30040	54130E-R
B45	Pressure plate .159" 4.0mm	overdrive brake clutch	sel	85-10	34625-30100	54130F-R
C46	Pressure plate .110" 2.8mm	direct clutch	sel	85-10	35675-30111	75716A-R
D47	Pressure plate .118" 3.0mm	forward clutch	sel	85-10	35635-50030	75716B-R
E48	Pressure plate	2nd clutch	1	85-10	35676-30020	54128-R
E49	Pressure plate .158" 4.0mm	low/reverse clutch	sel	85-10	35676-50060	54129-R
E49	Pressure plate .166" 4.2mm	low/reverse clutch	sel	85-10	34676-50050	54129A-R
E49	Pressure plate .174" 4.4mm	low/reverse clutch	sel	85-10	35676-50040	54129B-R
n/i	Pressure plate	transfer case (direct)	sel	85-10	34655-35010	54131-R
n/i	Pressure plate	transfer case (front drive)	sel	85-10	34655-35010	54125-R
n/i	Pressure plate	transfer case (low spd brake apply/backing)	2	85-10	34685-35010	54126-R
FILTERS						
K9	Kit, filter	A340E (2WD)(neoprene/cork)	1	85-10	AE	FK54800
K9	Kit, filter	A340E (2WD)(Duraprene®)	1	85-10	AE	DK54800
K9	Kit, filter	A340H (4WD)(neoprene/cork)	1	85-10	AE	FK54800A
K9	Kit, filter	A340H (4WD)(Duraprene®)	1	85-10	AE	DK54800A
K9	Kit, filter (A341E)(neoprene/cork)	GS300/LS400/SC400/Supra w/turbo	1	96-10	AE	FK54800C
K9	Kit, filter (A341E)(Duraprene®)	GS300/LS400/SC400/Supra w/turbo	1	96-10	AE	DK54800C
K9	Kit, filter A340E	Lexus GS300 (neoprene/cork)	1	93-95	AE	FK54800G
K9	Kit, filter A340E	Lexus GS300 (Duraprene®)	1	93-95	AE	DK54800G
K9	Kit, filter A340F (4WD)	PU/4 Runner (neoprene/cork)	1	96-97	AE	FK54800F
K9	Kit, filter A340F (4WD)	PU/4 Runner (Duraprene®)	1	96-97	AE	DK54800F
K9	Kit, filter A340F (4WD)	T100/Tacoma (neoprene/cork)	1	95-10	AE	FK54800D
K9	Kit, filter A340F (4WD)	T100/Tacoma (Duraprene®)	1	95-10	AE	DK54800D
K9	Kit, filter A343F (4WD)(neoprene/cork)	Lexus/Land Cruiser/Tacoma/4 Runner	1	95-10	AE	FK54800E
K9	Kit, filter A343F (4WD)(Duraprene®)	Lexus/Land Cruiser/Tacoma/4 Runner	1	95-10	AE	DK54800E
K9	Kit, filter A340E/F (4WD)	Lexus/Land Cruiser/Tundra V8 (neop/cork)	1	98-10	AE	FK54800H
K9	Kit, filter A340E/F (4WD)	Lexus/Land Cruiser/Tundra V8 (Duraprene®)	1	98-10	AE	DK54800H
K9	Kit, filter A350E	Lexus GS300 (neoprene/cork)	1	96-10	AE	FK54800J
K9	Kit, filter A350E	Lexus GS300 Duraprene®	1	96-10	AE	DK54800J
H51	Filter, A340E (2WD)	Supra 2WD	1	85-10	35330-30011	54800
H51	Filter, A340H (4WD)	A340E	1	85-10	35303-35010	54800A
H51	Filter, A341E	Lexus GS 300/LS 400/SC 400/Supra w/turbo	1	96-10	35330-50010	54800C

A340•A341E•A343E•A350•AW30-40LE

A340•A341E•A343E•A350•AW30-40LE

ILL	DESCRIPTION	QTY	YEAR	REFERENCE #	PART #
FILTERS (CONTINUED)					
H51	Filter, A340E	1	93-95	35330-30020	54800G
H51	Filter, A340F (4WD)	1	96-97	35330-35020	54800F
H51	Filter, A340F (4WD)	1	95-10	35330-22010	54800D
H51	Filter, A343 (4WD)	1	95-10	35330-60020	54800E
H51	Filter, A340E/F/A343F (4WD)	1	98-10	35330-60030	54800H
H51	Filter, A350E	1	96-10	35330-30040	54800J
BANDS					
C53	Band	1	85-10	35810-30020	54700
BUSHINGS					
K13	Kit, bushing	1	85-10	AE	K54901
A54	Bushing	1	85-10		46001
A55	Bushing 17mm 21.561mm bore	1	85-10		46007A
A56	Bushing	1	85-10		54002
A57	Bushing	1	85-10		54003
A58	Bushing	1	85-10		54004
B59	Bushing	1	85-10		54005
C60	Bushing	1	85-10		54006
C61	Bushing	1	85-10		54007
D62	Bushing	1	85-10		54008
D63	Bushing	1	85-10		54009
D64	Bushing	1	85-10		54010
G65	Bushing (babbit) 38.113mm bore	1	85-10		12502
G66	Bushing w/38mm yoke	1	85-10		46006
G66	Bushing w/35mm yoke (not in kit)	1	85-10		46006A
G66	Bushing w/40mm yoke (not in kit)	1	85-10		54014
n/i	Bushing (not in kit)	1	85-10		54020
PUMP PARTS AND PUMPS					
A98	Pump, assembly (w/.420" thick pump gears)	1	85-10	35301-30040	54200A-R
HARD PARTS					
n/i	Planet, overdrive w/20 splines 8.750" oh	1	95-02	A/E	54936D-R
n/i	Gear, overdrive ring w/o hub 95T	1	95-02	A/E	54940D-R
n/i	Housing, overdrive w/31T sun gear	1	95-02	A/E	54941D-R
ELECTRICAL COMPONENTS					
n/i	Solenoid	1	85-05	52-0205	5A-173
n/i	Solenoid	1	90-02	52-0477	5A-173A
n/i	Solenoid	2	85-05	85420-22080	5A-172
n/i	Solenoid set	1	85-05	85420-32021	5A-178
n/i	Solenoid master kit (w/mounting bracket)	1	90-05	52-9002	25A-050
n/i	Solenoid master kit (w/bracket)(1 piece)	1	99-02	52-9021	25A-053
n/i	Solenoid	1	90-10	52-0399	5A-160
n/i	Solenoid	1	90-10	52-0400	5A-161
n/i	Solenoid	1	98-05	35290-60020	5A-162
n/i	Kit, solenoid (w/mounting brackets)	1	98-05	52-9029	25A-055
n/i	Kit, solenoid	1	90-10	52-9030	25A-056
n/i	Switch, neutral start (w/wire harness)	1	98-05	D97991A	16A-375
SPRAGS					
B102	Sprag	1	85-10	35791-30040	75929
D121	Sprag w/washers	1	85-10	35790-30030	54501
E126	Sprag w/washers	1	85-10	35792-30042	54503
NOTES					

MULTI-CLUTCH BILLET CONVERTERS

DACCO



Heavy duty applications available for GM, Dodge, and Ford Trucks.

CUSTOMER DRIVEN

QUALITY FOCUSED

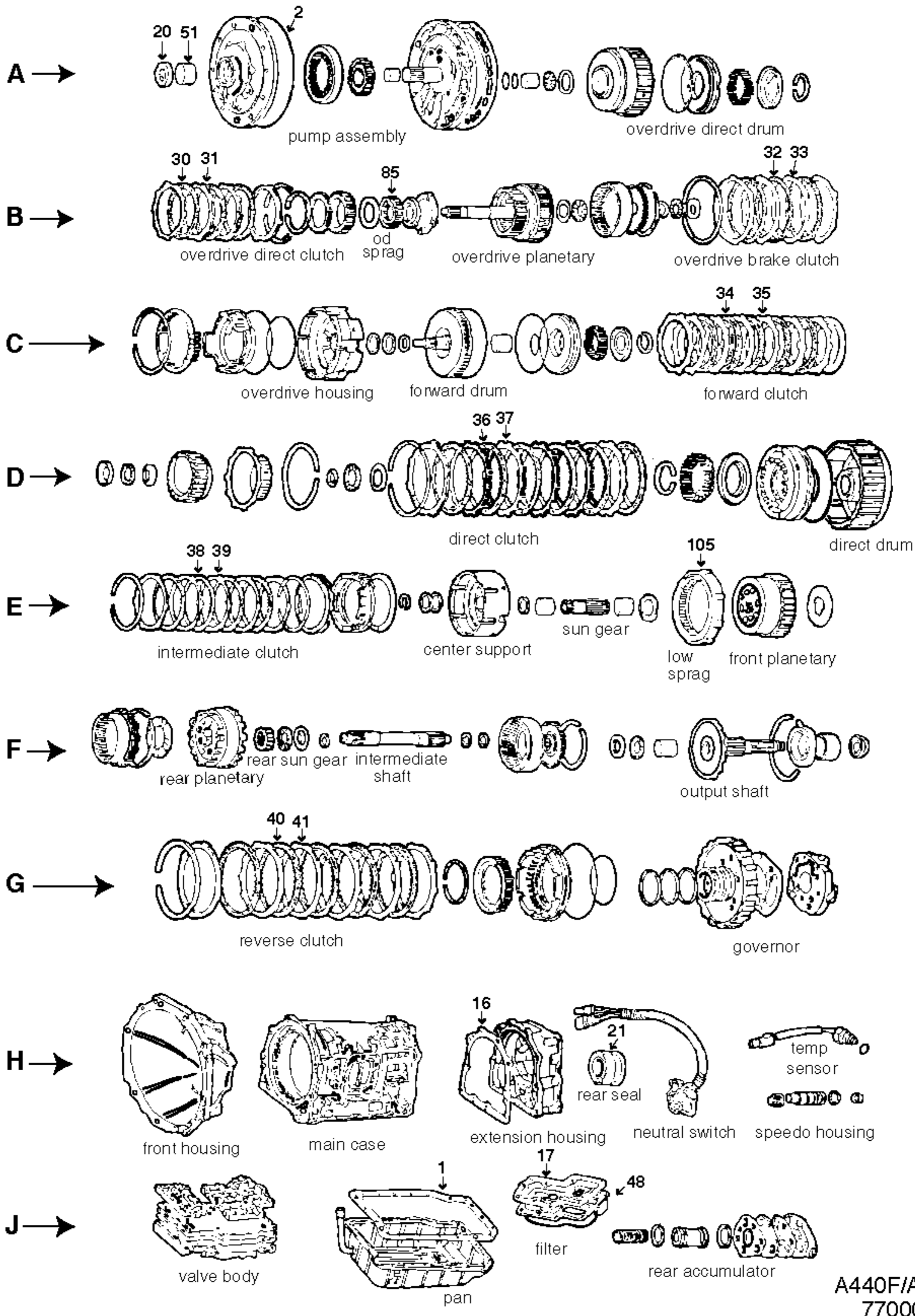
EMPLOYEE POWERED

Check out our website at:
www.daccoinc.com

DACCO
TRANSMISSION PARTS



facebook.com/DACCOTrans



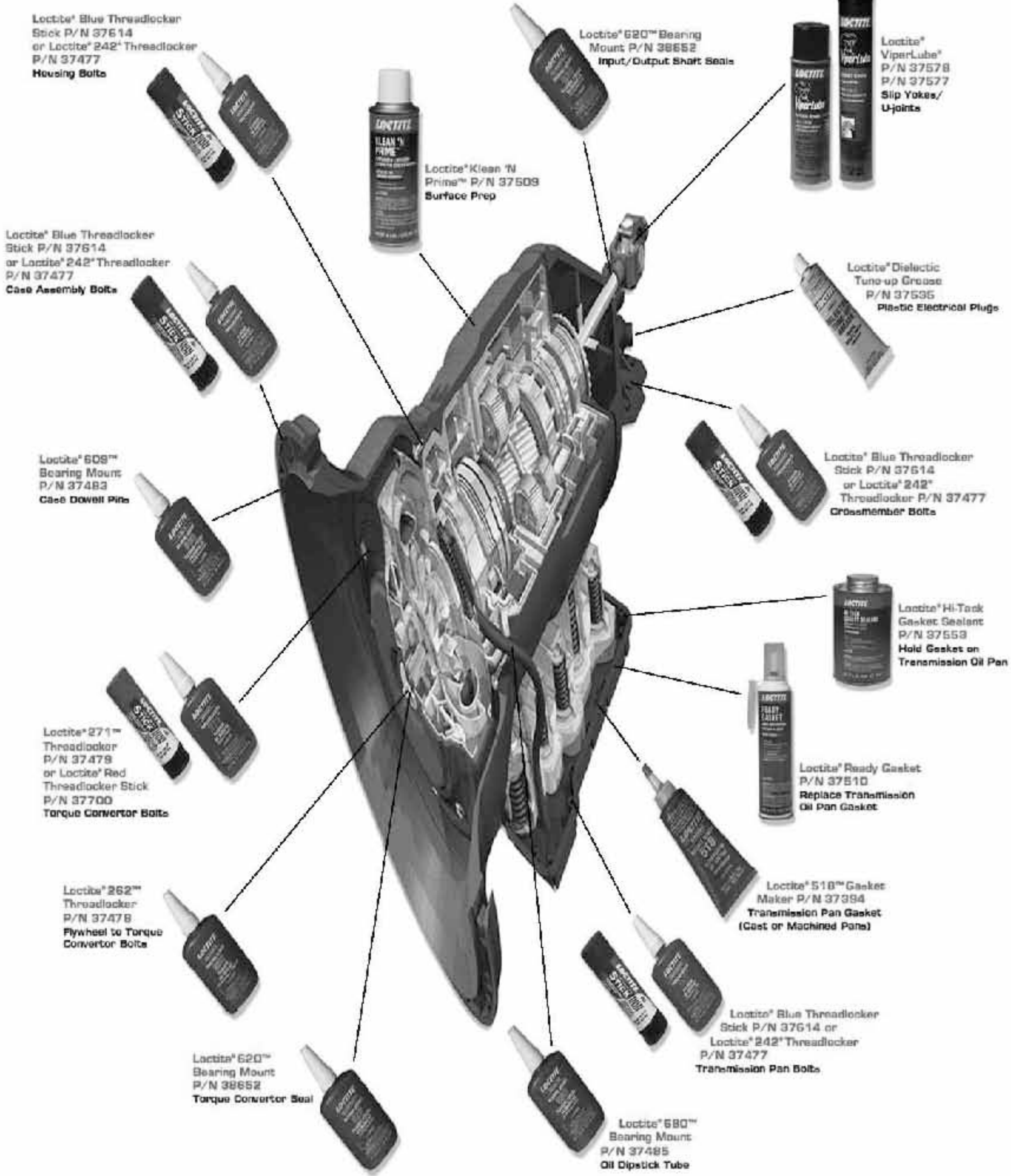
A440F/A442F
77000/B

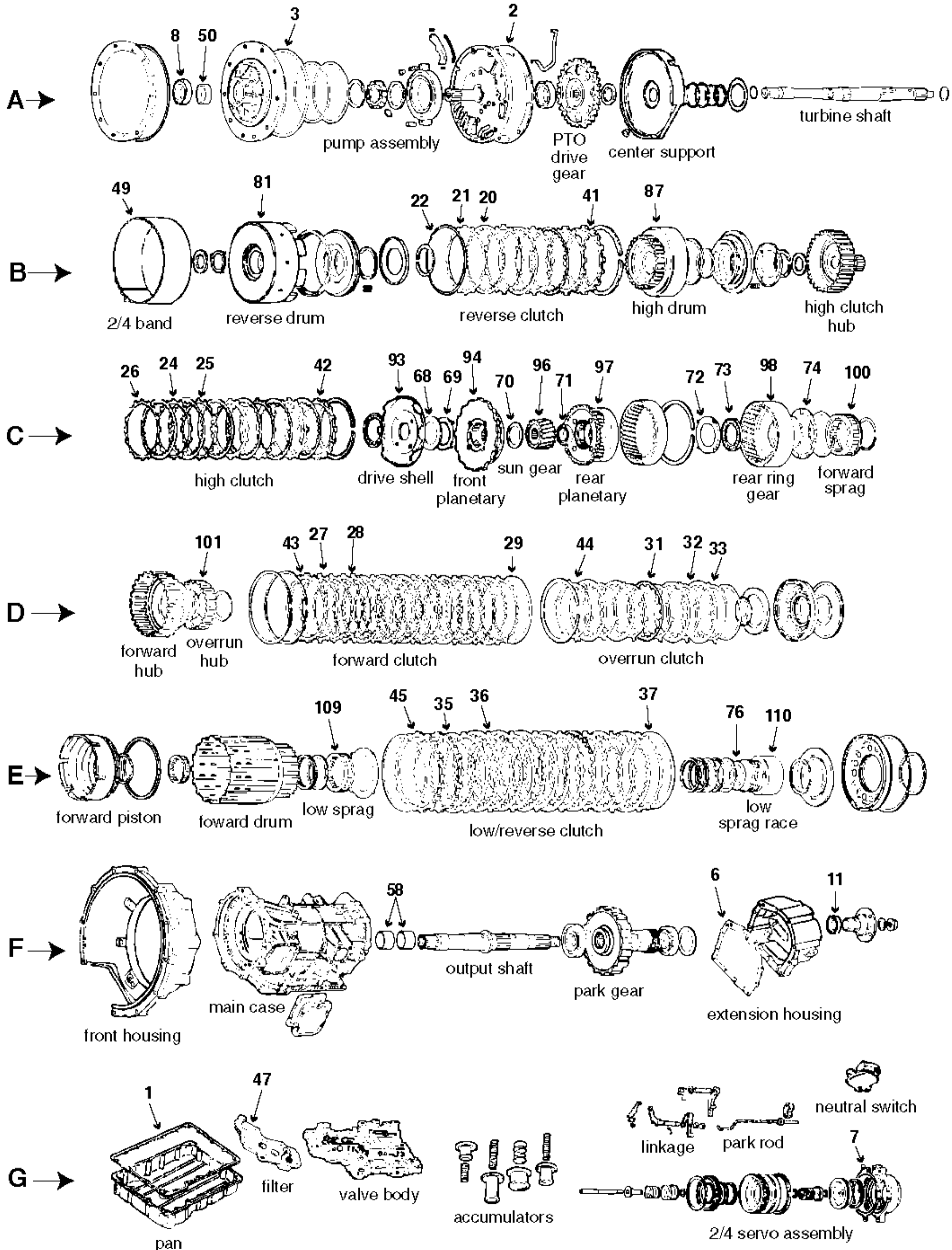
ILL	DESCRIPTION	QTY	YEAR	REFERENCE #	PART #
TECHNICAL MANUALS					
K53	Tech manual Toyota A440F dis/assembly diagnosis/troubleshooting	1	85-95	83-TOY440TM	010-409
REBUILDER KITS					
K5	Master kit w/steels A440F	1	85-89	AE	K7700
K5	Master kit w/steels A440F	1	90-92	AE	K7700A
K5	Master kit w/steels A442F	1	93-95	AE	K7700B
K6	Master kit w/o steels A440F	1	85-89	AE	K7700-LS
K6	Master kit w/o steels A440F	1	90-92	AE	K7700A-LS
K6	Master kit w/o steels A442F	1	93-95	AE	K7700B-LS
K7	O/H gasket set w/seals-rings A440F/A442F	1	85-95	AE	K77900
GASKETS AND RUBBER COMPONENTS					
J1	Gasket, oil pan neoprene/cork	1	85-95	35168-36010	13870X
J1	Gasket, oil pan Duraprene®	1	85-95	35168-36010F	13870D
A2	O'ring pump to case	1	85-95	90301-99029	13409
n/i	Gasket pump to case	1	85-95	35313-36010	23006
H16	Gasket extension housing to case	1	85-95	35182-36010	23007
J17	Gasket filter	1	85-95	35339-60020	13871
n/i	Seal valve body to case	4	85-95	35893-36010	23024
METAL CLAD SEALS					
A20	Seal, metal clad front	1	85-95	90311-42010	45200
H21	Seal, metal clad (not in kit) A440F/A442F (adaptor housing)	1	85-95	90311-48016	77203
n/i	Seal, metal clad 12x22x7mm manual lever shaft	2	85-95	90311-12002	46202
n/i	Seal, metal clad "S" type speedo gear	1	85-95	90310-09001	46203
n/i	Seal, metal clad output shaft retainer (transfer case)	1	85-95	90311-48010	77204
n/i	Seal, metal clad output shaft frt retainer (transfer case)	1	85-95	90316-48002	77205
SEALING RINGS					
K10	Kit, sealing ring A440F/A442F	1	85-95	AE	K77300
CLUTCH PLATES					
B30	Friction .083" 4.987" od 46T A440F/A442F (overdrive direct clutch)	3	85-95	35633-36020	77103
B31	Steel .071" 3.997" id 10T A440F/A442F (overdrive direct clutch)	3	85-95	35634-36010	77101
B32	Friction .083" 6.890" od 70T A440F (overdrive brake clutch)	3	85-92	35633-36010	77100
B32	Friction .083" 7.237" od 75T A442F (overdrive brake clutch)	3	93-95	35633-36050	77100A
B33	Steel .095" 5.995" id 6T A440F (overdrive brake clutch)	3	85-92	35632-36010	77105
B33	Steel .078" 5.995" id 6T A442F (overdrive brake clutch)	3	93-95	35632-60040	77105A
C34	Friction .083" 4.987" od 46T A440F/A442F (forward clutch)	6/7	85-95	35633-36020	77103
C35	Steel .071" 3.997" id 10T A440F/A442F (forward clutch)	6	85-95	35634-36010	77101
D36	Friction .083" 4.987" od 46T A440F/A442F (direct clutch)	5	85-95	35633-36020	77103
D37	Steel .071" 3.997" id 10T A440F/A442F (direct clutch)	5	85-95	35634-36010	77101
D37	Steel .079" 3.997" id 10T A440F/A442F (overdrive/forward/direct)	sel	85-95	35634-36040	77101A
D37	Steel .087" 3.997" id 10T A440F/A442F (overdrive/forward/direct)	sel	85-95	35634-36050	77101B
D37	Steel .095" 3.997" id 10T A440F/A442F (overdrive/forward/direct)	sel	85-95	35634-36020	77101C
E38	Friction .083" 6.890" od 70T A440F/A442F (intermediate clutch)	4/5	85-95	35633-36010	77100
E39	Steel .095" 5.995" id 6T A440F/A442F (intermediate clutch)	4/5	85-90	35632-36010	77105
E39	Steel .078" 5.995" id 6T A440F/A442F (intermediate clutch)	4/5	91-95	35632-60040	77105A
G40	Friction .067" 6.880" od 70T A440F/A442F (1st/reverse clutch)	6	85-95	35633-60030	77106
G41	Steel .071" 5.995" id 16T A440F/A442F (1st/reverse clutch)	6	85-92	35632-36020	77102
G41	Steel .095" 5.995" id 16T A440F/A442F (1st/reverse clutch)	6	93-95	35632-60030	77102A
FILTERS					
K9	Kit, filter 2" thick neoprene/cork	1	85-92	AE	FK77800
K9	Kit, filter 2" thick Duraprene®	1	85-92	AE	DK77800
K9	Kit, filter 5/8" thick neoprene/cork	1	85-92	AE	FK77800A
K9	Kit, filter 5/8" thick Duraprene®	1	85-92	AE	DK77800A
K9	Kit, filter A442F (neoprene/cork)	1	92-95	AE	FK77800B
K9	Kit, filter A442F (Duraprene®)	1	92-95	AE	DK77800B

LOCTITE®

TRANSMISSION APPLICATIONS

LOCTITE





JR403E/RG4R01A/RMK
33000

ILL	DESCRIPTION		QTY	YEAR	REFERENCE #	PART #
TECHNICAL MANUALS						
K53	Tech manual JR403E dis/assembly	diagnosis/troubleshooting	1	88-98	83-JR403ETM	010-443
REBUILDER KITS						
K5	Master kit w/steels	RG4R01A/JR403E	1	88-98	AE	K3300
K6	Master kit w/o steels	RG4R01A/JR403E	1	88-98	AE	K3300-LS
K7	O/H gasket set w/seals-rings	RG4R01A/JR403E	1	88-98	AE	K33900
VALVE BODY KITS						
K15	Shift Kit®	planet/clutch and band burn up	1	88-98	SK® RE4R01A	K78908
K15	Shift Correction Package	JR403E	1	88-98	KJR403E	S33908
GASKETS AND RUBBER COMPONENTS						
G1	Gasket, oil pan	neoprene/cork	1	88-98	31397-51X00	13138X
G1	Gasket, oil pan	Duraprene®	1	88-98	31397-51X00F	13138D
A2	Gasket, pump to case	RG4R01A/JR403E	1	88-98	94483318	23087
A3	O'ring	pump to case	1	88-98	31526-41X01	23061
F6	Gasket, extension housing	RG4R01A/JR403E	1	88-98	94483334	23088
G7	Gasket, servo cover	RG4R01A/JR403E	1	88-98	31623-51X00	23078
n/i	O'ring	filter to valve body	1	88-98	31526-41X07	23062
n/i	O'ring	case connector	1	88-98	31526-41X04	23082
n/i	O'ring	output speed sensor	1	88-98	31526-41X05	23083
n/i	Gasket	RG4R01A/JR403E	1	88-98	31716-41X01	23494
n/i	Gasket	RG4R01A/JR403E	1	88-98	31717-51X00	23495
n/i	Seal	center support to case	4	88-98	94483324	23467
METAL CLAD SEALS						
A8	Seal, metal clad	front	1	88-98	94483289	68200
F11	Seal, metal clad	Isuzu (extension housing)	1	88-98	94483329	33200
F11	Seal, metal clad	Nissan (extension housing)	1	88-98	32136-02T00	33201
n/i	Seal, metal clad	manual lever shaft	1	88-98	94483246	78210
SEALING RINGS						
K10	Kit, sealing ring	RG4R01A/JR403E	1	88-98	AE	K73300
CLUTCH PLATES						
B20	Friction .075" 6.12" od 64T	reverse clutch	3	88-98	94483445	73106
B21	Steel .079" 5.2" id 40T	reverse clutch	3	88-98	94483440	73107
B21	Steel .110" 5.2" id 40T	reverse clutch	ar	88-98	31536-51X06	73107A
B22	Steel, dished	reverse clutch (cushion)	1	88-98	31535-51X05	73126-R
C24	Friction .062" 6.12" od 64T	high clutch	6	88-98	94483419	73104
C25	Steel .118" 5.2" id 40T (not in kit)	high clutch	6	88-92	94483418	73107B
C25	Steel .079" 5.2" id 40T	high clutch	7	92-98	94483440	73107
C26	Steel, dished	high clutch (cushion)	1	88-98	31535-51X05	73126-R
D27	Friction .079" 6.6" od 50T	forward clutch	7/8	88-98	94483388	73101
D28	Steel .079" 6.1" id 36T	forward clutch	14	88-98	94483387	73100
D29	Steel, dished	forward clutch (cushion)	1	88-98	31535-51X01	73122-R
D31	Friction .079" 6.1" od 20T	overrun clutch	5	88-98	94483399	73103A
D32	Steel .079" 5.36" id 6T	overrun clutch	5	88-98	94483398	73113
D33	Steel, dished (not in kit)	overrun clutch (cushion)	1	88-98	31535-51X02	73123-R
E35	Friction .064" 6.12" od 33T	low/reverse clutch	8	88-98	94483263	73108
E36	Steel .079" 5.48" od 11T	low/reverse clutch	8	88-98	94483262	73114
E37	Steel, dished	low/reverse clutch (cushion)	1	88-98	31535-51X04	73124-R
PRESSURE PLATES						
B41	Pressure plate	reverse clutch	sel	88-98	31537-51X00	73717-R
C42	Pressure plate	high clutch	sel	88-98	31537-51X00	73717-R
D43	Pressure plate	forward clutch	sel	88-98	31537-51X05	73714-R
D44	Pressure plate	overrun clutch	sel	88-98	31537-51X11	73715-R
E45	Pressure plate	low/reverse clutch	sel	88-98	31667-51X00	73716-R



Enabling a better automotive world

Clutch Related Products

A Full Offering of Clutch Products for a Wide Range of Vehicles From Small Cars to Class 8 Trucks



Standard Clutch Kits

Conversion Clutch Kits

MD/HD Truck Clutch Kits



Performance Clutch Kits

Flywheels

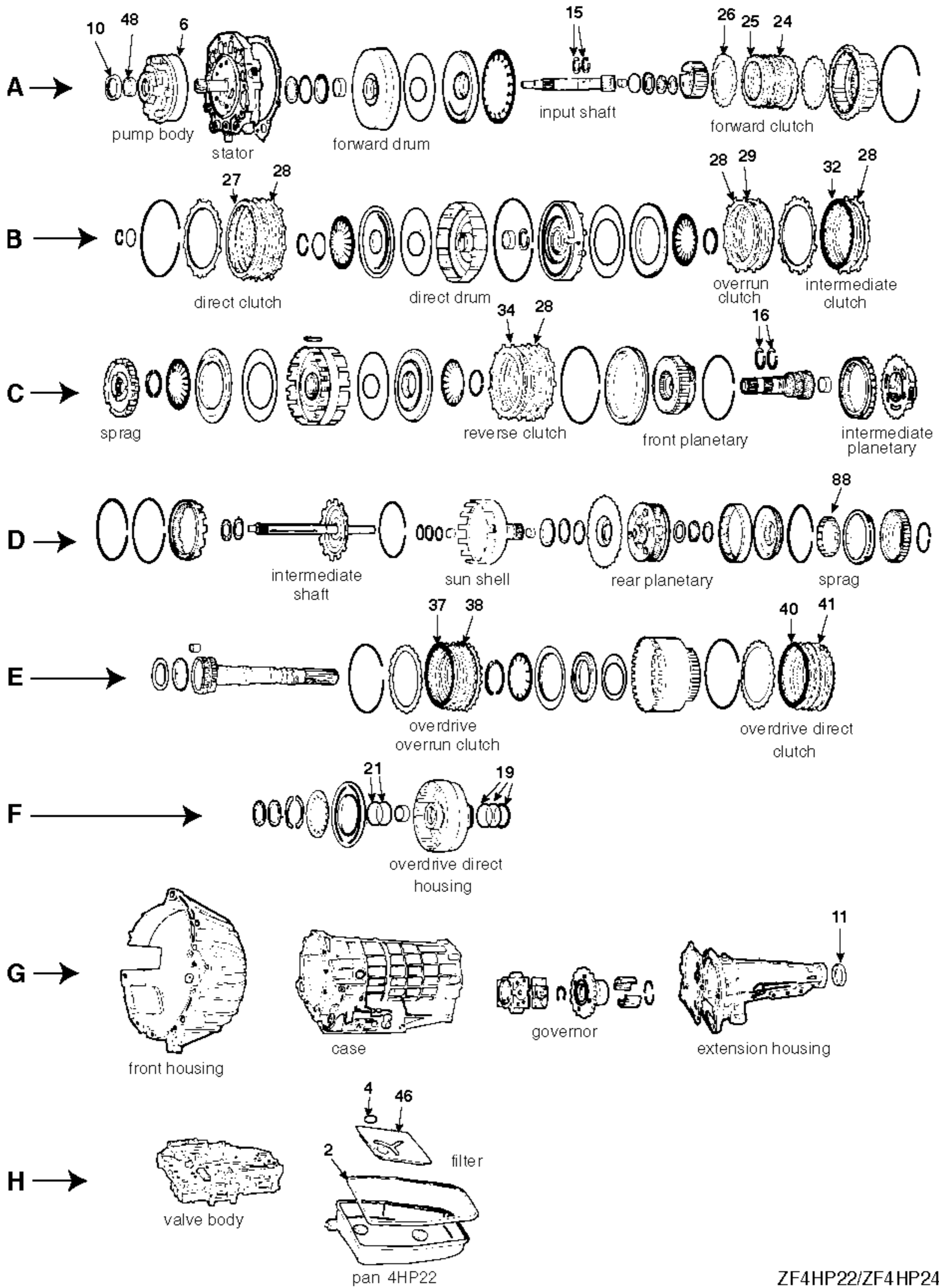
Hydraulics

OE Engineered... Aftermarket Delivered
The Winning Combination of Quality and Performance

www.valeoclutches.com

(888) 71-VALEO

valeo added



ZF4HP22/ZF4HP24-A
56000D/E/M

ILL	DESCRIPTION		QTY	YEAR	REFERENCE #	PART #
TECHNICAL MANUALS						
K53	Tech manual ZF4HP22 dis/assembly	diagnosis/troubleshooting	1	84-04	83-ZF4HP22TM	010-420
REBUILDER KITS						
K5	Master kit w/steels	4HP22	1	84-02	AE	K5600D
K5	Master kit w/steels	4HP24	1	88-04	AE	K5600E
K5	Master kit w/steels	Audi Quattro 4HP24A	1	89-94	AE	K5600M
K6	Master kit w/o steels	4HP22	1	84-02	AE	K5600D-LS
K6	Master kit w/o steels	BMW V12 850 series 4HP24	1	88-04	AE	K5600E-LS
K6	Master kit w/o steels	Audi Quattro 4HP24A	1	89-94	AE	K5600M-LS
K7	O/H gasket set w/seals-rings	4HP22/24	1	84-04	AE	K56900D
K7	O/H gasket set w/seals-rings	4HP24A	1	84-94	AE	K56900M
note	not in kits valve body gaskets for Volvo					
		740/760 fix add extra holes in gaskets				
VALVE BODY KITS						
K15	Shift Correction Package	4HP22 (forward clutch repair)	1	84-04	K4HP22	K56908A
GASKETS AND RUBBER COMPONENTS						
H2	Gasket, oil pan (molded rubber)	4HP22/24	1	84-04	24-11-1-215-488	13630R
A6	O'ring	4HP22/24 (pump)	1	84-04	24-31-1-217-133	23059
H4	O'ring	4HP22/24 (filter to valve body)	1	84-04	24-31-1-218-570	23076
METAL CLAD SEALS						
A10	Seal, metal clad 40x52x7mm	4HP22 (front)	1	84-04	24-31-1-207-621	56200D
G11	Seal, metal clad	4HP22/24 (extension housing)	1	84-04	24-11-1-207-426	56201B
G11	Seal, metal clad (w/o boot)	Lincoln 4HP22 (extension housing)	1	84-85	E2ZZ-7052-A	27695
n/i	Seal, metal clad	22/4HP22 (manual lever shaft)	1	84-04	24-34-1-207-430	56202
SEALING RINGS						
K10	Kit, sealing ring-complete	ZF4HP22/24	1	84-04	AE	K56300D
A15	Sealing ring	ZF4HP22 (input shaft)	2	84-04	24-21-1-216-345	56303
C16	Sealing ring	ZF4HP22 (sun gear shaft)	2	84-04	24-21-1-216-358	56304
n/i	Sealing ring	4HP22 (2nd gear planetary)	1	84-04	24-24-1-217-184	56306
F19	Sealing ring (viton rubber)	4HP22 (governor)	3	84-04	24-23-4-217-141	56305
F21	Sealing ring	overdrive direct drum	2	84-04	24-23-1-217-140	56302
n/i	Sealing ring	ZF4HP22 (direct clutch B drum)	1	84-04	24-23-1-215-840	56301
CLUTCH PLATES						
A24	Friction .061" 3.931" od 34T	ZF4HP22 (forward clutch)	4/5	84-04	1043-202-183	56103A
A24	Friction .061" 5.042" od 40T	ZF4HP24 (forward clutch)	4/5	84-04	1043-202-189	56104
A25	Steel .071" 3.000" id 24T	ZF4HP22 (forward clutch)	5/6	84-04	1043-302-046	56100
A25	Steel .083" 4.213" id 24T	ZF4HP24 (forward clutch)	4/6	84-04	24-23-1-215-453	56101B
A25	Steel .060" 3.000" id 24T	ZF4HP22 (forward clutch)	sel	84-04	1043-302-128	56100B
A25	Steel .047" 3.000" id 24T	ZF4HP22 (forward clutch)	sel	84-04	1043-302-123	56100C
A26	Steel .040" 3.000" id 24T (waved)	ZF4HP22 (forward clutch)	2	84-04	1043-302-001	56105
A26	Steel .055" 4.213" id 24T (waved)	ZF4HP24 (forward clutch)	2	84-04	1043-330-140	56105A
B27	Friction .059" 5.629" od 24T	ZF4HP24 (direct clutch)	4/5	84-04	1043-202-041	56102A
B28	Steel .071" 4.728" id 12T	Ford/Volvo/Peugeot (direct clutch)	3/4	84-04	0301-302-037	56101
B28	Steel .082" 4.690" id 12T	BMW/Rover/Jaguar (direct clutch)	4	84-04	1043-302-021	56101F
B28	Steel .047" 4.690" id 12T	ZF4HP22(direct clutch)	sel	84-04	0301-317-013	56101C
B28	Steel .047" 4.690" id 12T (waved)	ZF4HP22 (direct clutch)	sel	84-04	1043-302-036	56101D
B28	Steel .158" 120mm 12T	ZF4HP22 (direct clutch)	sel	84-04	24-23-1-217-334	56101G
B29	Friction .059" 5.629" od 24T	ZF4HP22 (intermediate clutch)	2	84-04	1043-202-041	56102A
B29	Friction .063" 5.625" od 48T	ZF4HP24 (intermediate clutch)	5	84-04	1043-217-009	56106A
B28	Steel .071" 4.728" id 12T	ZF4HP22/24 (intermediate clutch)	3/4	84-04	24-23-1-205-935	56101
B32	Friction .063" 5.625" od 48T	4HP22 (overrun clutch)	4/5	84-04	1043-217-009	56106A
B32	Friction .061" 5.629" od 58T	4HP24 (overrun clutch)	4/5	84-04	1043-217-015	56102B
B28	Steel .047" 4.690" id 12T	ZF4HP22 (overrun clutch)	sel	84-04	0301-317-013	56101C
B28	Steel .047" 4.690" id 12T (waved)	ZF4HP22 (overrun clutch)	sel	84-04	1043-302-036	56101D
B28	Steel .060" 4.690" id 12T	ZF4HP22 (overrun clutch)	sel	84-04	1043-302-020	56101E

ZF4HP22•ZF4HP24-A

ZF4HP22•24-A

ILL	DESCRIPTION		QTY	YEAR	REFERENCE #	PART #
CLUTCH PLATES (CONTINUED)						
B28	Steel .158" 120mm 12T	ZF4HP22 (overrun clutch)	sel	84-04	2423-1-217-334	56101G
B28	Steel .082" 4.690" id 12T	ZF4HP24 (overrun clutch)	sel	84-04	24-23-1-209-825	56101F
C34	Friction .063" 5.625" od 48T	ZF4HP22 (reverse clutch)	4/5	84-04	24-23-1-205-955	56106A
C34	Friction .061" 5.629" od 58T	ZF4HP24 (reverse clutch)	5/6	84-04	1043-217-015	56102B
C28	Steel .047" 4.690" id 12T	ZF4HP24 (reverse clutch)	6	84-04	1043-317-040	56101H
C28	Steel .059" 4.690" id 12T	ZF4HP24 (reverse clutch)	ar	84-04	1043-317-061	56101J
C28	Steel .071" 4.690" id 12T	ZF4HP24 (reverse clutch)	ar	84-04	1043-317-062	56101K
C28	Steel .083" 4.690" id 12T	ZF4HP24 (reverse clutch)	ar	87-04	1043-317-063	56101L
E37	Friction .061" 5.042" od 40T	4HP22/24 (overdrive overrun clutch)	4	84-04	24-23-1-215-441	56106B
E38	Steel .059" 5.629" od 24T	4HP22/24 (overdrive overrun clutch)	4	84-04	24-23-1-215-440	56101A
E40	Friction .061" 5.042" od 40T	4HP22/24 (overdrive direct clutch)	4	84-04	24-23-1-215-441	56106B
E41	Steel .083" 4.213" id 24T	4HP24 (overdrive direct clutch)	4	84-04	24-23-1-215-453	56101B
n/i	Friction .062" 4.680" od 18T	4HP24A (transfer case)	6	89-94	n/a	56109
n/i	Steel .082" 2.444" id 12T	4HP24A (transfer case)	6	89-94	n/a	56121
n/i	Steel .082" (holes in teeth)	4HP24A (transfer case bottom)	1	89-94	n/a	56123
FILTERS						
K9	Kit, filter	BMW/Lincoln ZF4HP22	1	84-92	AE	FK56800B
K9	Kit, filter	Range Rover ZF4HP22	1	88-04	AE	FK56800C
H46	Filter	BMW/Lincoln ZF4HP22	1	84-92	24-31-1-218-550	56800B
H46	Filter	Range Rover ZF4HP22	1	88-02	1043-226-037	56800C
H46	Filter (w/1" tube)	BMW ZF4HP24	1	89-04	24-31-1-218-204	56800E
H46	Filter	Porsche 911 tipronic	1	91-98	943-307-011-01	56800D
H46	Filter	Audi Quattro ZF4HP24A	1	89-94	1043-226-035	56800M
BUSHINGS						
A48	Bushing .750" (bronze)	4HP22/24 (pump body) lg 2500cc	1	94-04	0501-311-812	56005A
n/i	Bushing	Lincoln 4HP22 (extension housing)	1	84-86	D7FZ-7A034-A	16001A
PUMP PARTS AND PUMPS						
A	Body, pump w/gears	ZF4HP22 (bushing in body)	1	84-04	AE	56300A-R
A	Body, pump w/gears	ZF4HP22 (caged bearing in body)	1	84-04	AE	56300B-R
A	Support, pump w/shaft	ZF4HP22 (casting #103)	1	84-04	AE	56400A-R
A	Support, pump w/shaft	ZF4HP22 (casting #133)	1	84-04	AE	56400B-R
A	Support, pump w/shaft	ZF4HP22 (casting #158)	1	84-04	AE	56400C-R
A	Support, pump w/shaft	ZF4HP22 (casting #258)	1	84-04	AE	56400D-R
A	Support, pump w/shaft	ZF4HP22 (casting #205)	1	84-04	AE	56400E-R
A	Support, pump w/shaft	ZF4HP22 (casting #253)	1	84-04	AE	56400F-R
A	Support, pump w/shaft	ZF4HP22 (casting #255)	1	84-04	AE	56400G-R
A	Support, pump w/shaft	ZF4HP22 (casting #205)	1	84-04	AE	56400H-R
HARD PARTS						
n/i	Valve body	ZF4HP22	1	84-04	AE	56485-R
ELECTRICAL COMPONENTS						
n/i	Kit, solenoid master	4HP22	1	84-04	MS-ZFHP22	25A-040
n/i	Solenoid	4HP22 (shift)	1	84-04	501307869	5A-460
n/i	Solenoid	4HP22 (pressure control)	1	84-04	501206997	5A-461
SPRAGS						
D88	Sprag, overdrive	ZF4HP22/24	1	84-04	24-23-1-215-337	56502
n/i	Sprag, low	ZFHP22/24 (staked in low planetary)	1	84-04	24-23-1-215-338	56503
NOTES						

LINE CARD

A TO Z TOOLS

Transmission Tools

AC-DELCO

Hard Parts, Standard, Automatic, Switches

ALTO

Lined Clutches, Steels

ATEC TRANS-TOOL

Specialty Tools

AUTO CRAFT

Flywheels, Clutch Forks, Cables

AUTO GEAR

Standard Transmission Parts, Transfer Case Parts, Standard Transmission Assys., Transfer Case Assys.

AUTO TRANS GROUP

Electrical Parts

A.T.S.G.

Tech Manuals, Videos

B & M PRODUCTS

Performance Kit Products

BORG WARNER

Bands, Sprags, Frictions, Drive Chains

CR SEALS

Speedy Sleeves, Metal Clad Seals, Bearings

CROWN

Standard Parts

DACCO

Converters

DERALE

Coolers

DT COMPONENTS

Drive Train Products

G-TEC

Cleaning Chemicals

GABBERT AUTOMOTIVE

Electrical Connectors

KENTMORE

Transmission Tools

LIFE PRODUCTS

Additives, Cooler Flush

LONG MFG.

Coolers, Brackets

LOU FUSZ TOYOTA

Hard Parts

LOVE BOX

Boxes

LUBE GUARD

Additives

MERIDIAN IND.

Axle Savers, Hard Parts, Speciality Items

MIDWEST MFG.

Flywheels, Ring Gears

MIDWEST TRUCK

Standard Transmission Parts, Bearings, Gaskets

MILLER SPECIALTY TOOLS

Transmission Tools

MUSCLE PRODUCTS

Additives

NACHI TECHNICAL

Bearings

NEAPCO

U-Joints, Boots, CV Joints

NTP

Solenoids

OMEGA MACHINE

Transfer Case parts

OTC

Transmission Tools

PRAIRIE COMPONENTS

Pump Vanes/Sprags

PRECISION INT'L

Gasket Sets, Gaskets

QUIK SHIM

Washers, Equipment

R & B MOTORMITE

Dorman Products

RADIATOR SPECIALTY

Hoses, Clamps

RAYMARK INDUSTRIES

Clutch Disc (Lined), Plates (Steel), Bands

Parker (SAP) Hard Parts,

Solenoids

ROSTRA

Modulators, Solenoids, Test Equipment

SCHAFFER

Electronic Test Equipment, Pressure Risers

SEYMOUR PAINTS

Paints

SONNAX IND

Governor Gears, Governor Assys., Governor Covers, Speed Items, Automotive Specialty Products

SOUTHEAST

Mounts, Specialty Items

SPX - FILTRAN

Filters, Rings

SPX - MIAMI

Gasket Kits, Rings, Bushings, Seals, Steels, Frictions, Hard Parts

SUPERIOR

Shift Correction Kits, Pumps

TECK-PAK

Change Over Kits, Shims, Solenoids, Cables

TIC

Standard Parts

TRANSCO

Shift Kits, Performance Kits

TRANS LAB

Correction Kits

TRANSMOTIVE (Wade)

Standard Transmission Parts, Bearings, Gaskets

TRANSTEC

Gasket Sets, Seals

TRI-COMPONENT

Bushings, Washers, Pump Gears, Hard Parts

VALEO

Standard Clutch Sets

VENTURE PRODUCTS

Ring Gears, Flywheels

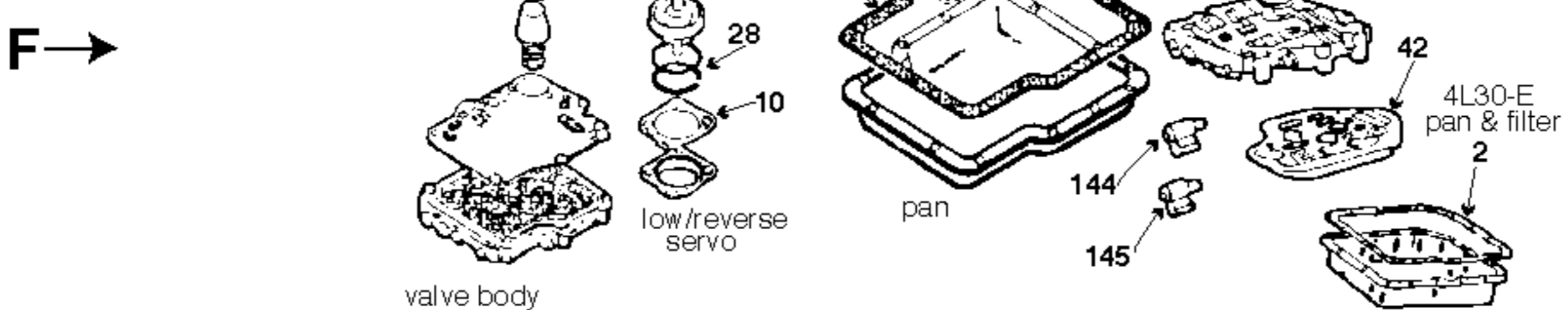
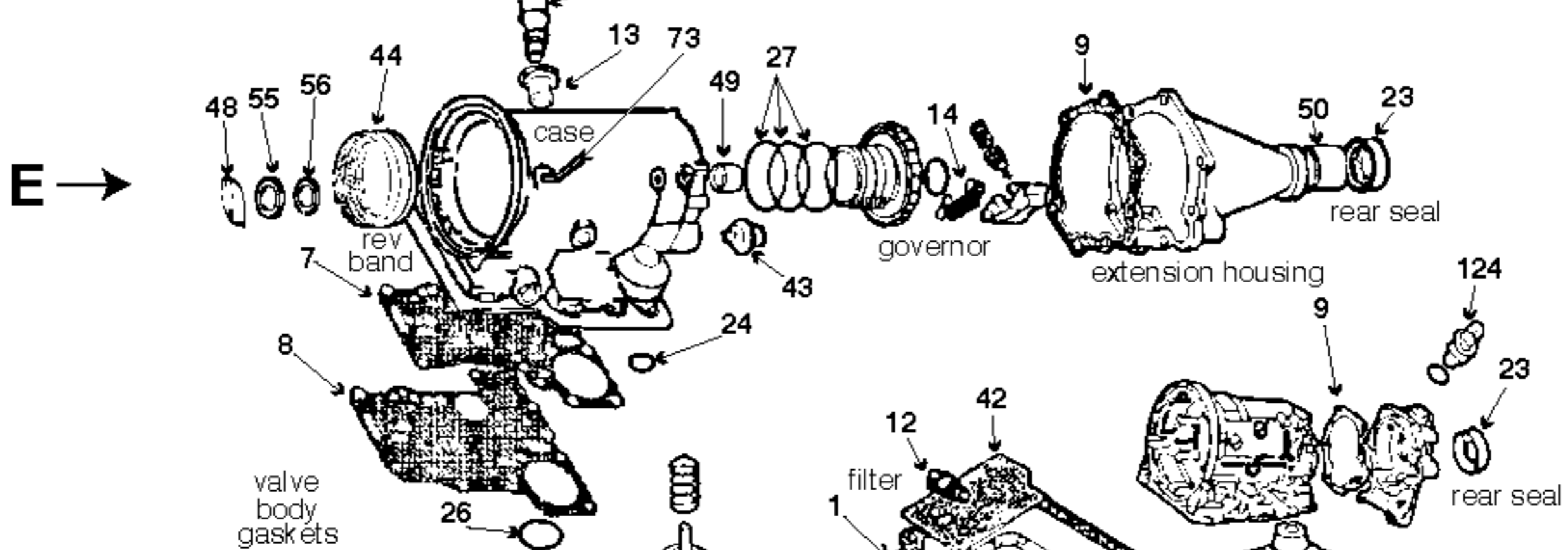
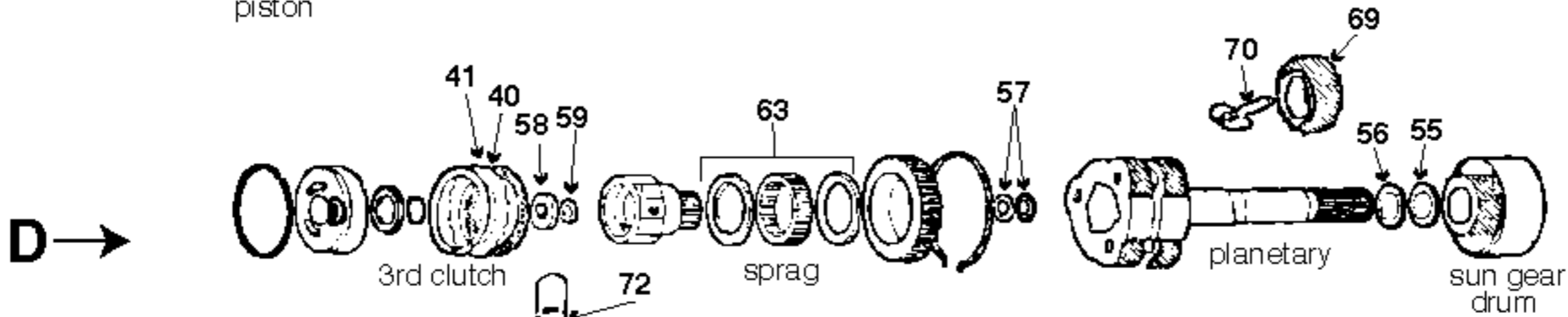
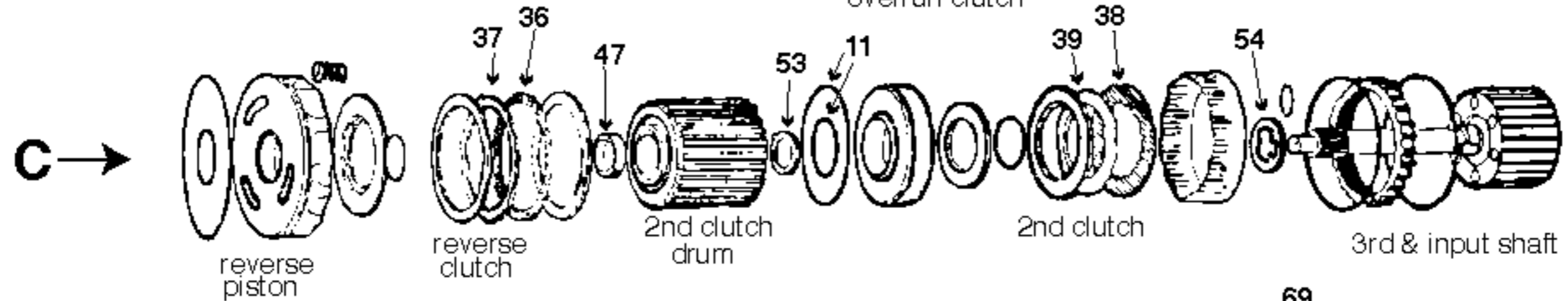
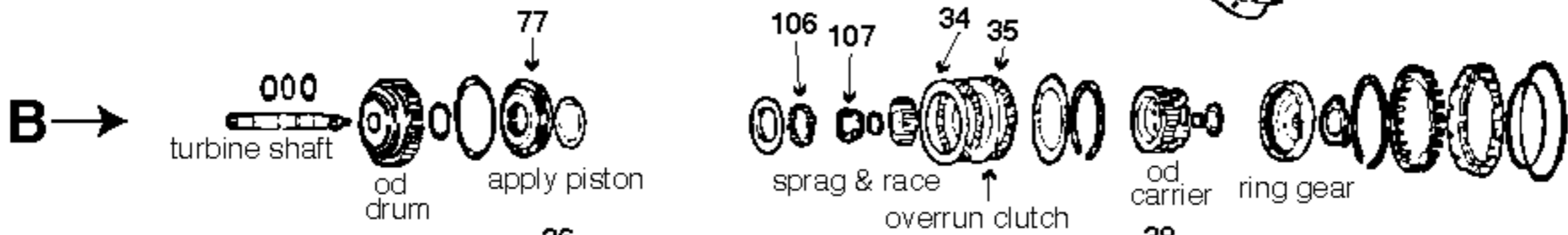
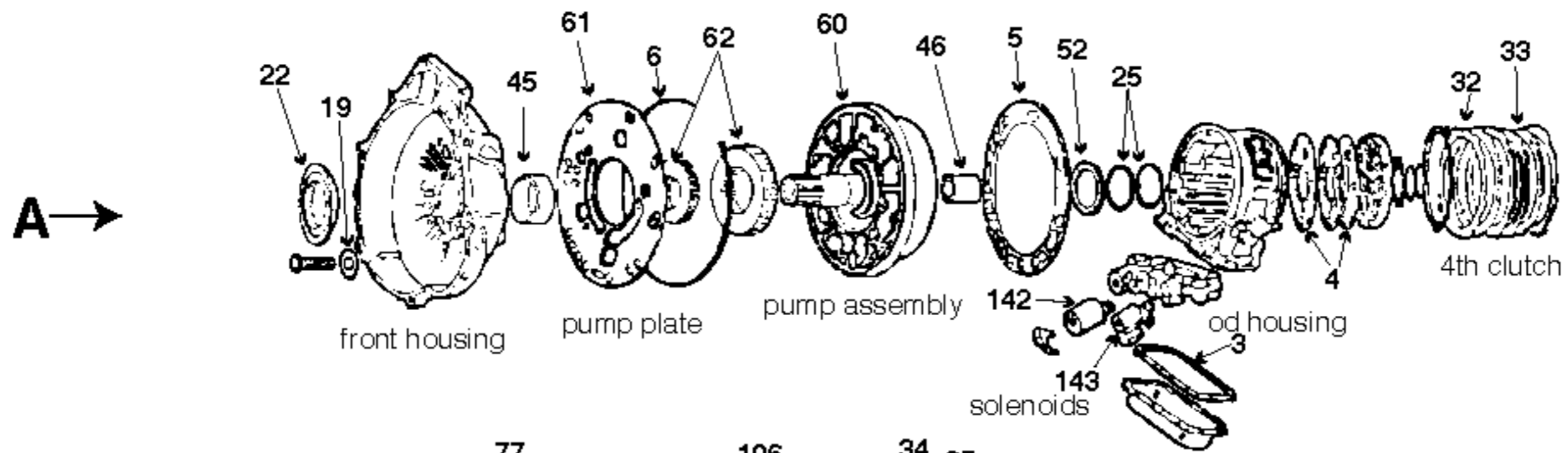
ZOOM

Transmission Testers

A & Reds
Transmission Parts
3737 W. 29th South
Wichita, KS 67217
Local (Wichita) 316-942-5300
Nat. Toll Free 1-800-835-1007
email:parts@areds.com

Ask the
IMPOSSIBLE,
we might
surprise You!

A & Reds Kansas City
2000 Indiana
Kansas City, MO 64127
Local (Kansas City) 816-483-7337
Fax: 816-483-3109
866-780-7337



TH180/4L30E
 41000/E

TH180 (MD3)•180•TH180C (MD2)•3L30•4L30-E•4L30E

ILL	DESCRIPTION	QTY	YEAR	REFERENCE #	PART #
TECHNICAL MANUALS					
K53	Tech manual 4L30E dis/assembly	1	91-05	83-4L30ETM	10-450
REBUILDER KITS					
K4	Master deluxe rebuild kit	1	69-98	AE	K4100-R
K5	Master kit w/steels	1	69-98	AE	K4100
K5	Master kit w/steels	1	90-99	AE	K4100E
K5	Master kit w/steels	1	98-05	AE	K4100F
K6	Master kit w/o steels	1	69-98	AE	K4100-LS
K6	Master kit w/o steels	1	90-99	AE	K4100E-LS
K6	Master kit w/o steels	1	98-05	AE	K4100F-LS
K7	O/H gasket set w/seals-rings	1	69-98	AE	K41900
K7	O/H gasket set w/seals-rings	1	90-05	AE	K41900E
K11	Gasket and seal kit	1	69-98	AE	K41900-1
VALVE BODY KITS					
K15	Shift Kit@ 4L30E	1	90-05	SK@ 4L30E	K41908E
K15	Valve body calibration Kit 4L30E	1	90-05	TL-4L30	G41908E
GASKETS AND RUBBER COMPONENTS					
F1	Gasket, oil pan	1	69-98	14050668	13600X
F1	Gasket, oil pan	1	69-98	90064106	13600D
F2	Gasket, oil pan	1	90-00	241M-218-850	13604X
F2	Gasket, oil pan	1	90-00	241M-218-850F	13604D
F2	Gasket, oil pan	1	90-05	8-9014-234-0	13605X
F2	Gasket, oil pan	1	90-05	8-9014-234-0F	13605D
A3	Gasket, adapter pan	1	90-05	8-9014-235-0	13606X
A3	Gasket, adapter pan	1	90-05	8-9014-235-0F	13606D
A4	Gasket, adapter plate	2	90-91	8-96015-772-0	13608
A4	Gasket, adapter plate	2	92-05	8-96016-514-0	13608A
A5	Gasket, pump	1	69-98	96013211	13601
A5	Gasket, pump	1	90-05	8-96014-973-0	13601E
A6	Seal, lathe cut	1/2	69-05	5258119	13602
E7	Gasket, valve body	1	69-98	5258155	13610
E7	Gasket, valve body (main)	1	90-05	96017202	13611
E8	Gasket, valve body	1	69-87	735057	13612
E8	Gasket, valve body	1	87-98	96040728	13612A
E8	Gasket, valve body (main)	1	90-05	96015417	13611A
E9	Gasket, extension housing	1	69-98	5258199/	13613
E9	Gasket, extension housing	1	90-05	96014417	13613A
F10	Gasket, servo cover	1	69-98	5258339	13614
F10	Gasket, servo cover	1	90-05	96014414	13614A
C11	Lip seal	1	69-05	5258041	13607
C11	Lip seal	1	69-05	5258043	13619
F12	Gasket, filter	1	69-98	5258245	13617
E13	Multi lip seal (boot)	1	79-05	1259475	13925
E14	Gasket, governor	1	69-98	5259657/5258520	13615A
A19	Washer, coated	12	69-05	5258938	13268A
n/i	O'ring	1	69-05	7430921	3410L
n/i	O'ring	1	89-05	96057733	3411L
n/i	O'ring	1	90-05	96041008	3412L
n/i	O'ring	1	90-02	9921100	3413L
n/i	O'ring	1	69-78	6264902	3291L
n/i	O'ring	1	69-98	5258404	3667L
n/i	Hose, vacuum (90° elbow)	1	69-98	C1AZ-7B087-E	13266
n/i	O'ring	1	69-98	11078101	13769
n/i	O'ring (teflon coated/green)	1	82-98	8662686	13766

TH180•C•4L30-E

TH180 (MD3)•180•TH180C (MD2)•3L30•4L30-E•4L30E

TH180•C•4L30-E

ILL	DESCRIPTION	QTY	YEAR	REFERENCE #	PART #
GASKETS AND RUBBER COMPONENTS (CONTINUED)					
n/i	Lip seal TH180/C/4L30E (3rd clutch outer)	1	69-05	96014296	13605
n/i	Lip seal TH180C (3rd clutch inner)	1	69-98	5258543	13606
n/i	Lip seal 4L30E (3rd clutch inner)	1	90-05	96014295	13606A
n/i	Seal, lathe cut TH180/C/4L30E (reverse clutch outer)	1	69-05	96014332	3774L
n/i	Seal, lathe cut TH180/C/4L30E (reverse clutch inner)	1	69-05	96014331	3775L
n/i	Lip seal w/spring speedo driven gear w/spring	1	69-05	25519078	3991L
n/i	Lip seal 4L30E (overdrive clutch outer)	1	90-94	96014320	13609
n/i	Lip seal 4L30E (overdrive clutch outer)	1	95-05	96017561	13609A
n/i	Seal, lathe cut 4L30E (overdrive clutch inner)	1	90-05	96014231	3776L
n/i	Gasket, auxiliary VB 4L30E (upper)(case to spacer plate)	1	90-05	96017400	13639
n/i	Gasket, auxiliary VB 4L30E (lower)(spacer plate to aux VB)	1	90-05	96017399	13639A
n/i	Seal, lathe cut 4L30E (3-4 accumulator)	1	90-05	96014062	3777L
n/i	O'ring 4L30E (filler tube extension)	1	90-05	96014673	3288L
n/i	O'ring 4L30E (accumulator cover)	2	90-05	96014317	3289L
n/i	O'ring 4L30E (low solenoid small)	3	90-05	24204409	13710
n/i	O'ring 4L30E (TCC solenoid large)	3	90-05	8634188	23071
n/i	Seal 4L30E (electrical connector)	2	90-05	n/a	13749
METAL CLAD SEALS					
A22	Seal, metal clad TH180 (front)	1	69-98	705216	38151A
A22	Seal, metal clad 4L30E (front)	1	90-05	96015187	41151
E23	Seal, metal clad 1.950" od (not in kit) Opel/Holden/Peugeot (extension housing)	1	69-05	235728-3	47201A
E23	Seal, metal clad Fiat (not in kit)(extension housing)	1	71-05	n/a	41204
E23	Seal, metal clad 60x38x12mm extension housing (2WD)(w/flange w/o boot)	1	69-05	1243402	8850B
E23	Seal, metal clad 4L30E (extension housing)	1	90-05	96014416	56201B
E23	Seal, metal clad (not in kit) Tracker (extension housing)	1	92-97	96040762	41204A
E24	Seal, metal clad TH180 (manual lever shaft)	1	69-98	8623056	38511
E24	Seal, metal clad 4L30E (manual lever shaft)	1	90-05	8644709	51202A
n/i	Seal, metal clad Tracker (speedo driven gear)	1	89-98	96057735	41206
n/i	Seal, metal clad Honda 4L30E (speedo driven gear)	1	94-05	97131328	91206
n/i	Seal, metal clad Tracker (4WD adapter housing)	1	89-98	96054039	75201M
SEALING RINGS					
K10	Kit, sealing ring TH180 (except Holden)	1	69-98	AE	K41300
K10	Kit, sealing ring 4L30E	1	90-05	AE	K41300E
A25	Ring, sealing TH180 (stator support)	2	69-05	5258106	41302
A25	Ring, sealing (teflon) 4L30E (stator support)	2	90-05	9617553	41304T
E26	Ring, sealing (cast iron) accumulator piston	1	69-05	8623653	34711
E27	Ring, sealing (not in kit) Holden TH180 (thick wall governor hub)	3	69-98	5258100	41300A
E27	Ring, sealing TH180 (thin wall/governor hub)	3	69-05	5258837	41300
F28	Ring, sealing low servo piston	1	69-05	5258159	41303
n/i	Ring, sealing (teflon)(scarf cut) 4L30E (turbine shaft)	2	90-05	96015717	41305T
n/i	Ring, sealing (teflon)(solid) 4L30E (turbine shaft)	1	90-05	8634598	32326T
n/i	Ring, sealing 4L30E (thin wall/park gear)	1	90-05	5258837	41300
CLUTCH PLATES					
A32	Friction .088" 6.710" od 36T 4L30E (4th clutch)	3	90-05	8-96014-459-0	41106
A33	Steel .083" 5.835" id 6T 4L30E (4th clutch)	4	90-05	8-96014-187-0	41107
B35	Friction .088" 5.090" od 40T 4L30E (overrun clutch)	2	90-05	8-96014-195-0	32108
B34	Steel .083" 3.954" id 36T 4L30E (overrun clutch)	2	90-05	96014194	32110
C36	Friction .098" 6.405" od 36T TH180/C/4L30E (reverse clutch)	2/5	69-05	5258017	41100
C37	Steel .070" 5.675" id 7T TH180/C/4L30E (reverse clutch)	ar	69-05	5258019	41101
C37	Steel .083" 5.675" id 7T TH180/C/4L30E (reverse clutch)	3/6	69-05	5258957	41101A
C38	Friction .098" 5.229" od 30T TH180/C/4L30E (2nd clutch)	2/5	69-05	5258025	41102
C39	Steel .070" 4.306" id 36T TH180/C/4L30E (2nd clutch)	3/6	69-05	5258057	41103
C39	Steel .080" 4.306" id 36T TH180/C/4L30E (2nd clutch)	3/6	69-05	960401183	41103A

TH180 (MD3)•180•TH180C (MD2)•3L30•4L30-E•4L30E

TH180•C•4L30-E

ILL	DESCRIPTION		QTY	YEAR	REFERENCE #	PART #
CLUTCH PLATES (CONTINUED)						
D40	Friction .098" 3.875" od 12T	TH180 (3rd clutch)	2/5	69-98	90064281	41104
D40	Friction .098" 3.875" od 12T	4L30E (3rd clutch)	4	90-97	96014946	41104
D40	Friction .063" 3.875" od 12T (high energy)	4L30E (3rd clutch)	6	98-05	8-96017-371-0	41104A
D41	Steel .070" 2.850" id 30T	TH180/C/4L30E (3rd clutch)	ar	69-05	5258086	41105
D41	Steel .080" 2.850" id 30T	TH180/C/4L30E (3rd clutch)	3/6	69-05	5258955	41105A
FILTERS						
K9	Kit, filter	TH180/C/3L30 (neoprene/cork)	1	69-98	AE	FK41800
K9	Kit, filter	TH180/C/3L30 (Duraprene®)	1	69-98	AE	DK41800
K9	Kit, filter	Isuzu/Amigo/Rodeo/Trooper II (4L30E)	1	90-05	AE	FK41800E
K9	Kit, filter	Isuzu/Amigo/Rodeo/Trooper II (4L30E)	1	90-05	AE	DK41800E
K9	Kit, filter	BMW (4L30E neoprene/cork)	1	91-00	AE	FK41800B
K9	Kit, filter	BMW (4L30E Duraprene®)	1	91-00	AE	DK41800B
F42	Filter	TH180/C/3L30	1	69-98	5258130/	41800
F42	Filter	BMW (4L30E)	1	91-00	24-11-1-218-899	41800B
F42	Filter	Isuzu/Amigo/Rodeo/Trooper II (4L30E)	1	90-05	8-96041-011-0	41800E
F42	Filter	Opel (4L30E 4 cyl.)	1	92-05	n/a	41800C
n/i	Screen, filter	TH180/C (governor)	1	69-98	5258383	26712
n/i	Screen, filter	4L30E (low solenoid)	1	90-05	96041012	41713
n/i	Screen, filter	4L30E (lock-up/TCC solenoid)	1	90-05	96014109	66714
MODULATORS						
E43	Modulator TH180/C (blue)	Opel/Holden 1969-74/GM1977-80/Fiat	1	69-80	8958947	41820
E43	Modulator (dual)(blue)	GM 1979-Up/Holden 1975-Up others	1	75-98	96013028	41820A
E43	Modulator TH180/C (dual)(green)	Opel 1975/others 1980-Up	1	80-98	96013169	41820B
E43	Modulator TH180/C (green)	10-11 eda 1.9 Opel 1975/GM 1980-Up various	1	80-98	90064071	41820C
E43	Modulator TH180/C (purple)	Geo Tracker/Suzuki	1	89-97	96040434	41820D
BANDS						
E44	Band	TH180/C/4L30E (low)	1	69-05	5463805	41700
BUSHINGS						
K13	Kit, bushing	TH180	1	69-98	AE	K41901
K13	Kit, bushing	4L30E	1	90-05	AE	K41901E
A45	Bushing (babbitt)	TH180/C/4L30E (pump body/bell hsg)	1	69-05	8958661	8005
A46	Bushing	TH180/C/4L30E (stator support rear)	1	69-05	8958621	41003
C47	Bushing	TH180/C/4L30E (2nd clutch drum)	1	69-05	5258128	41000
E48	Bushing	TH180/C/4L30E (input sun gear)	1	69-05	5258075	41009
E49	Bushing	TH180/C/4L30E (case)	1	69-05	5258191	41012
E50	Bushing (babbitt) 1.626" od	TH180/C/4L30E (extension housing)	1	69-05	6260048	8008A
n/i	Bushing (bronze)	TH180/C/4L30E (stator support front)	1	69-05	8628915	32006
WASHERS/BEARINGS/RACES/SHIMS						
K14	Kit, thrust washer	TH180/C	1	69-98	AE	K41907
A52	Thrust washer (plastic) .061" (yellow)	TH180/C/4L30E (pump)	sel	69-05	5258201	41208
A52	Thrust washer (plastic) .069" (red)	TH180/C/4L30E (pump)	sel	69-05	5258202	41208A
A52	Thrust washer (plastic) .077" (black)	TH180/C/4L30E (pump)	sel	69-05	5258203	41208B
A52	Thrust washer (plastic) .084" (white)	TH180/C/4L30E (pump)	sel	69-05	5258205	41208C
A52	Thrust washer (plastic) .092" (green)	TH180/C/4L30E (pump)	sel	69-05	5258206	41208D
A52	Thrust washer (plastic) .100" (blue)	TH180/C/4L30E (pump)	sel	69-05	5258207	41208E
C53	Thrust washer (metal)	2nd clutch drum to 3rd clutch drum	1	69-05	5258091	41702
C53	Thrust washer (plastic)	2nd clutch drum to 3rd clutch drum	1	69-05	96040241	41702A
C54	Thrust washer (metal)	TH180/C/4L30E (input shaft rear)	1	69-05	5258554	41703
D55	Bearing, thrust	TH180 (race to sun gear drum)	2	69-98	5686837	41704
D56	Race	TH180 (rear planet to bearing)	2	69-98	90064108	41705
D57	Race	TH180 (bearing to rear planetary)	1	69-98	5258555	41706
D57	Bearing, thrust	TH180 (race to sun gear)	1	69-98	96040078	41707
D58	Race	TH180 (input shaft to bearing)	1	69-98	90064108	41705

TH180 (MD3)•180•TH180C (MD2)•3L30•4L30-E•4L30E

TH180•C•4L30-E

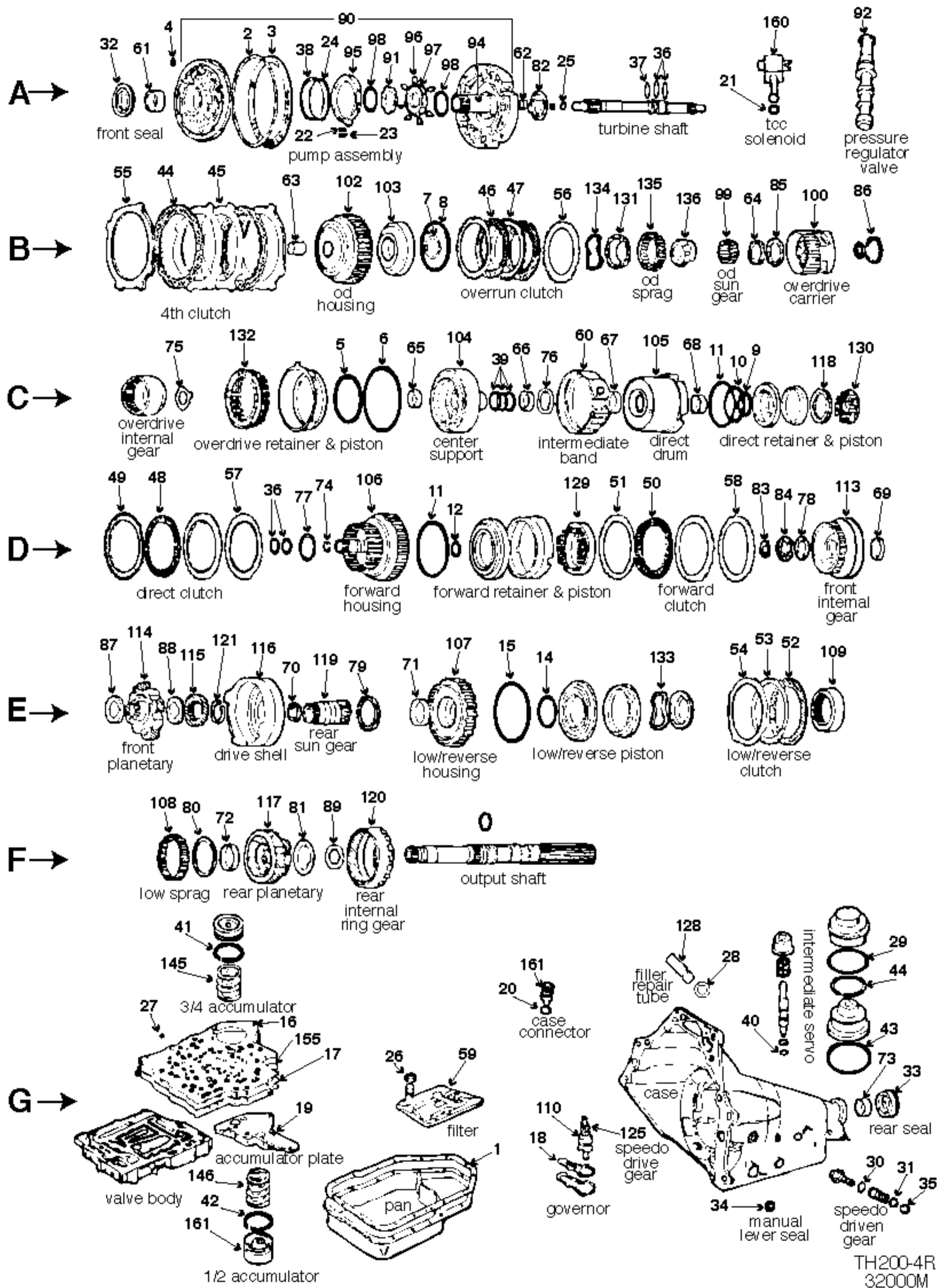
ILL	DESCRIPTION	QTY	YEAR	REFERENCE #	PART #
WASHERS/BEARINGS/RACES/SHIMS (CONTINUED)					
D59	Bearing, thrust	1	69-98	96040078	41707
PUMP PARTS AND PUMPS					
A60	Pump assembly	1	69-81	AE	41424-R
A60	Pump assembly	1	70-79	AE	41424A-R
A60	Pump assembly	1	81-81	AE	41424C-R
A60	Pump assembly (w/lock-up)	1	82-98	AE	41424B-R
A60	Pump assembly	1	90-05	8-96041-018-0	41424E-R
A60	Pump assembly	1	00-05		41424F-R
A61	Plate, wear pump	1	69-80	5258850	41202-R
A61	Plate, wear pump	1	81-81	96013269	41202B
A61	Plate, wear pump	1	77-87	96013212	41202A-R
A61	Plate, wear pump	1	90-05	8-96015-519-0	41202E
A62	Gear set, pump .626" thick	1	69-06	AE	K41201
A62	Gear set, pump .628" thick	1	69-06	AE	K41201A
HARD PARTS					
D69	Gear, speedo drive (7T black)	1	69-98	90064073	41227
D70	Clip, speedo (5/16" thin long)	1	69-98	1373122	35226
E72	Filler tube repair	1	69-00	n/a	96-140A
E73	Vent tube (plastic)	1	79-05	8640496	96-141
B107	Cam (inner race)	1	90-05	8-08634-038-0	32838-R
ELECTRICAL COMPONENTS					
F124	Sensor, speed	1	90-05	8-96014-442-0	16A-204
A142	Solenoid	1	90-05	8-96014-182-0	5A-400
A142	Solenoid	1	90-00	8677314	5A-400C
A143	Solenoid	1	90-99	8-96014-183-0	5A-333
A143	Solenoid (PWM)	1	00-05	8-96078-534-0	5A-392
F144	Solenoid	1	90-05	8-96014-593-0	5A-334
F145	Solenoid	1	90-05	8-96014-224-0	5A-335
n/i	Solenoid	1	82-98	96040316	5A-163
n/i	Connector, electrical (3 terminal square)	1	90-98	8634383	25A-103
n/i	Solenoid (PWM)	1	90-05	96014795	5A-395
n/i	Connector, electrical (4 terminal square)	1	90-05	8662395	25A-104
n/i	Connector, electrical (5 prongs round)	1	90-05	8649507	25A-105A
n/i	Connector, electrical (7 prongs round)	1	00-05	n/a	25A-107A
n/i	Harness, internal wiring (w/bolt-on TCC)	1	91-99	n/a	16A-270
n/i	Harness, internal wiring (w/bolt-on TCC)	1	00-04	8-96018-478-0	16A-273
n/i	Harness, internal wiring (w/push-on TCC)	1	00-05	n/a	16A-276
n/i	Harness, internal wiring (7 prongs)	1	00-04	8-96018-581-0	16A-274
SPRAGS					
D63	Sprag .700" 2.295" od (26 elements)	1	69-05	5258137	61725
B106	Roller clutch	1	90-05	8-08634-049-0	32849
BONDED PISTONS					
B77	Piston, bonded rubber	1	90-05	8-96017-401-0	41530
n/i	Cover, bonded rubber	1	90-05	96017095	41228
NOTES					

ENGINE CONVERSION CHART

CU. IN.	LITRE	CYL.	CU. IN.	LITRE	CYL.	CU. IN.	LITRE	CYL.
61	1.0L	3	204	3.3L	L6	350	5.7L	V8
67	1.1L	4	207	3.4L	V6	351	5.8L	V8
73	1.2L	4	215	3.5L	L6	352	5.8L	V8
85	1.4L	4	221	3.6L	V6	354	5.8L	V8
92	1.5L	4	223	3.7L	L6	359	5.9L	V8
96	1.5L	4	225	3.7L	L6	360	5.9L	6/V8
97	1.6L	4	229	3.8L	V6	361	5.9L	V8
98	1.6L	4	230	3.8L	V6	366	6.0L	V8
104	1.7L	4	231	3.8L	V6	368	6.0L	V8
105	1.7L	4	232	3.8L	V6	370	6.1L	V8
107	1.8L	4	239	3.9L	6/V6	379	6.2L	V8
109	1.8L	4	240	3.9L	L6	381	6.2L	V8
110	1.8L	4	241	4.0L	V8	383	6.3L	V8
112	1.8L	4	242	4.0L	L6	389	6.4L	V8
116	1.9L	4	243	4.0L	L6	390	6.4L	V8
119	1.9L	4	245	4.0L	V6	391	6.4L	V8
121	2.0L	4	250	4.1L	6/V6	392	6.4L	V8
122	2.0L	4	252	4.1L	L6	394	6.5L	V8
126	2.1L	4	255	4.2L	V8	396	6.5L	V8
132	2.2L	4	256	4.2L	V8	400	6.6L	V8
133	2.2L	4	258	4.2L	L6	401	6.6L	V8
134	2.2L	4	260	4.3L	V6/V8	402	6.6L	V8
135	2.2L	4	262	4.3L	6/V8	403	6.6L	V8
138	2.3L	4	265	4.3L	V8	406	6.7L	V8
140	2.3L	4	267	4.4L	V8	408	6.7L	V8
144	2.4L	L6	270	4.4L	V6	410	6.7L	V8
146	2.4L	L6	273	4.5L	V8	413	6.8L	V8
150	2.5L	4	280	4.6L	V8	420	6.9L	V8
151	2.5L	4	283	4.6L	V8	421	6.9L	V8
153	2.5L	4	289	4.7L	V8	425	7.0L	V8
156	2.6L	4	292	4.8L	L6	426	7.0L	V8
159	2.6L	4	300	4.9L	6/V8	427	7.0L	V8
170	2.8L	L6	301	4.9L	V8	428	7.0L	V8
171	2.8L	V6	302	5.0L	V8	429	7.0L	V8
173	2.8L	V6	304	5.0L	V8	430	7.0L	V8
177	2.9L	L6	305	5.0L	V8	432	7.1L	V8
179	2.9L	V6	307	5.0L	V8	440	7.2L	V8
181	3.0L	V6	312	5.1L	V8	446	7.3L	V8
183	3.0L	L6	318	5.2L	V8	454	7.4L	V8
189	3.1L	L6	326	5.3L	V8	455	7.5L	V8
190	3.1L	L6	327	5.3L	V8	460	7.5L	V8
194	3.2L	L6	330	5.4L	V8	472	7.7L	V8
195	3.2L	V6	331	5.4L	V8	475	7.8L	V8
196	3.2L	V6	332	5.4L	V8	477	7.8L	V8
198	3.2L	L6	340	5.6L	V8	500	8.2L	V8
200	3.3L	6/V6	341	5.6L	V8			
201	3.3L	L6	348	5.7L	V8			

NOTE: For any engine not listed above, use the following multipliers for proper conversion:

CC to CU. IN. - Multiply by .061395
 CU. IN. to CC - Multiply by 16.38703
 CU. IN. to LITERS - Multiply by .016395
 LITERS to CU. IN. - Multiply by 61.025



TH200-4R
32000M

ILL	DESCRIPTION		QTY	YEAR	REFERENCE #	PART #
TECHNICAL MANUALS						
K53	Tech manual TH200-4R dis/assembly	diagnosis/troubleshooting	1	81-90	83-2004RTM	010-304
REBUILDER KITS						
K4	Master deluxe rebuild kit	w/servo lip seals	1	81-90	AE	K3200M-R
K5	Master kit w/steels	w/servo lip seals	1	81-90	AE	K3200M
K6	Master kit w/o steels	w/servo lip seals	1	81-90	AE	K3200M-LS
K7	O/H gasket set w/seals-rings	w/servo lip seals	1	81-90	AE	K32900M
K8	External seal kit		1	81-90	AE	K32900M-2
K11	Gasket and seal kit	w/servo lip seals	1	81-90	AE	K32900M-1
K28	Kit, lip seal	servo	1	84-90	AE	K32900-3
VALVE BODY KITS						
K15	Shift Kit®	correct 3-2 cut loose/soft shifts	1	81-90	SK® 200-4R	K32908M
K15	Shift Improver Kit	TH200-4R	1	81-90	35265	114-35265
K15	Transpak™	TH200-4R	1	81-90	35229	114-35229
K15	Reprogramming Kit™	TH200-4R	1	81-90	2004R-HD2	2004R-3
K15	Shift Correction Package	TH200-4R	1	81-90	K200-4R	S32908M
K15	Shift Correction Package	high performance	1	81-90	K200-4R-HP	K200-4R-HP
K15	High gear lock-up package	TH200-4R	1	81-90	K013	K013
GASKETS AND RUBBER COMPONENTS						
G1	Gasket, oil pan	neoprene/cork	1	81-90	8634198	13910X
G1	Gasket, oil pan	Duraprene®	1	81-90	8657387	13910D
F2	Seal, lathe cut	pump to case	1	81-90	8634046	13980
F3	Gasket	pump to case	1	81-90	8634047	13981
F4	Washer, coated	pump bolts	6	81-90	8626281	13268A
C5	Lip seal	4th clutch (inner)	1	81-90	8635562	13972
C6	Lip seal	4th clutch (outer)	1	81-90	8634024	13973
B7	Lip seal	overrun clutch (inner)	1	81-90	8634054	13974
B8	Lip seal	overrun clutch (outer)	1	81-90	8634053	13975
C9	Lip seal	direct clutch (inner)	1	79-85	8628079	13963
C10	Lip seal	direct clutch (center)	1	81-90	8630295	13959
CD11	Lip seal	direct/forward clutch (outer)	2	81-90	8628078	13961
D12	Lip seal	forward clutch (inner)	1	81-90	8630102	13962
E14	Lip seal	low/reverse clutch (inner)	1	81-90	8628246	13960
E15	Lip seal	low/reverse clutch (outer)	1	81-90	8628364	13964
G16	Gasket, valve body	spacer plate to case (upper)	1	81-90	8639029	13976
G17	Gasket, valve body	spacer plate to valve body (lower)	1	81-90	8639022	13977
G18	Gasket	governor cover	1	81-90	8634477	13978
G19	Gasket, accumulator housing	TH200-4R	1	81-90	8634166	13979
G20	O'ring	case connector	1	81-90	10054241	3410L
A21	O'ring	lock-up/TCC solenoid	1	81-90	8634188	3665
A22	Seal (teflon)	pump slide	1	81-90	8631877	13768
A23	Seal (rubber)	pump slide	1	81-90	8631283	13762
A24	O'ring	pump slide	1	81-90	8634088	13982
A25	O'ring	input shaft	1	81-90	8630049	13917
A25	O'ring (teflon coated/green)	input shaft	1	81-90	8662686	13766
G26	Multi lip seal	filter (retro w/late filter)	1	81-06	8657767	13745
G27	Ball, check .250" od (viton)	valve body	5	81-90	6261179	13924
G28	Multi lip seal (boot)	filler tube	1	81-90	1259475	13925
G29	O'ring	intermediate servo cover	1	81-90	8628136	13920
G30	O'ring	speedo housing	1	81-90	8622076	3718L
G31	Lip seal w/spring	with spring	1	81-90	1240382HD	3991L
G31	Lip seal w/o spring	w/o spring	1	81-90	1240382	3991LS
n/i	Seal, lathe cut (beveled)	1-2/3-4 accumulator piston	1	81-90	8635568	13965
n/i	Cup, plug	parking pawl	1	81-90	8620318	13970

TH200-4R•200-4R

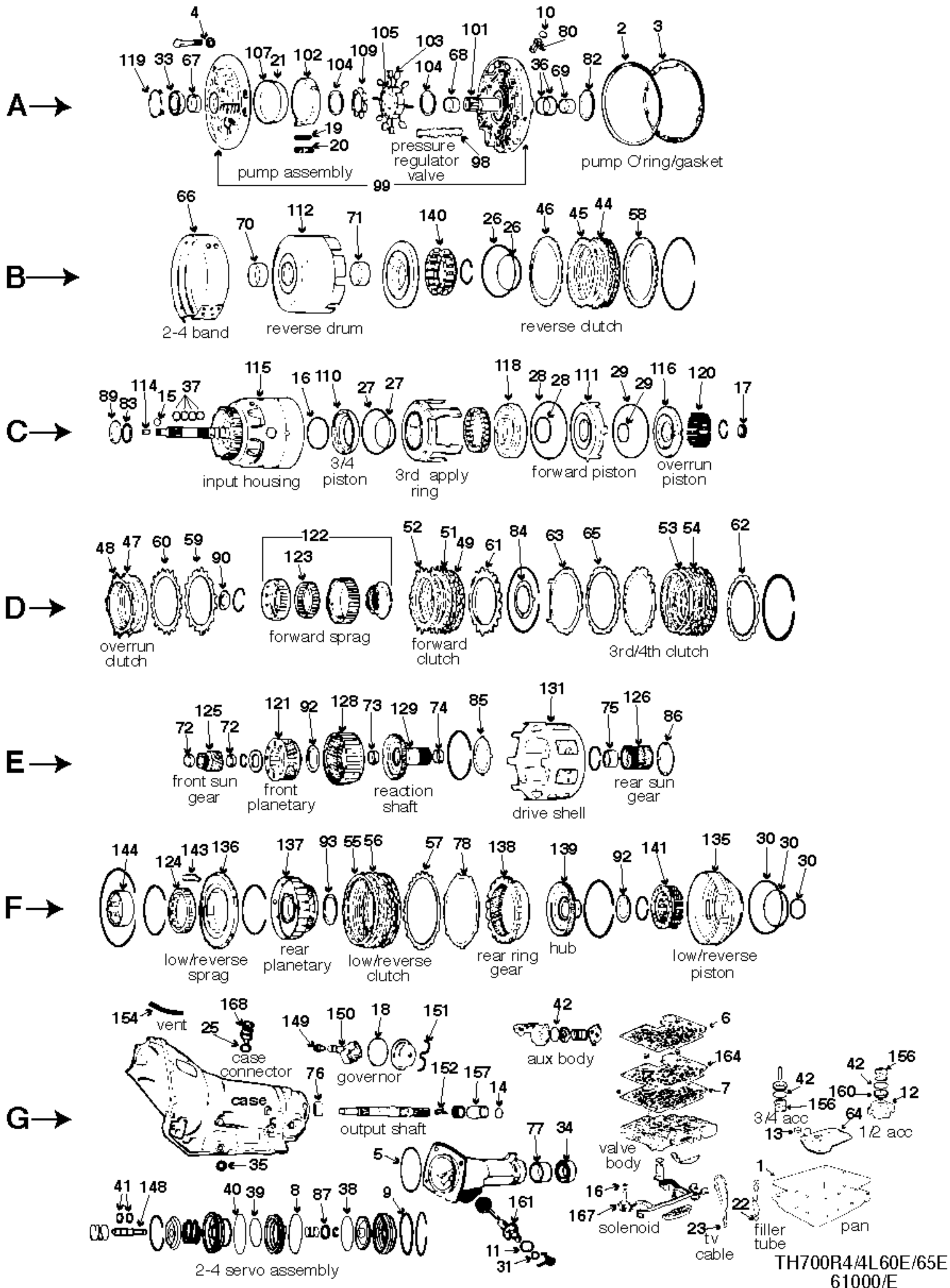
TH200-4R

ILL	DESCRIPTION	QTY	YEAR	REFERENCE #	PART #
GASKETS AND RUBBER COMPONENTS (CONTINUED)					
n/i	Multi lip seal (boot) detent cable	1	81-90	25518260	13581
METAL CLAD SEALS					
A32	Seal, metal clad front	1	81-90	8657116	61151A
G33	Seal, metal clad 60x38x12mm extension housing	1	81-06	1243402	8850B
G34	Seal, metal clad manual lever shaft	1	81-90	8623056	38511
G35	Seal, metal clad speedo driven gear/small metal housing	1	81-90	2558260	38511X
n/i	Retainer, seal front	1	81-90	8654491	61991
SEALING RINGS					
K10	Kit, sealing ring metal	1	81-90	AE	K32903M
K10	Kit, sealing ring teflon	1	81-90	AE	K32903MT
AD36	Ring, sealing (metal) 1.063" od turbine shaft to forward housing shaft	4	81-90	8628090	32301
AD36	Ring, sealing (teflon) 1.063" od turbine shaft to forward housing shaft	4	81-90	8628090	32301T
A37	Ring, sealing (teflon)(solid) turbine shaft	1	81-90	8634598	32326T
A38	Ring, sealing (solid)(not in kit) pump slide to pump body	1	81-90	8634079	32320
C39	Ring, sealing center support	3	81-90	8634156	32321
G40	Ring, sealing intermediate band apply pin	2	81-90	8630120	32323T
G41	Ring, sealing (teflon) 1.998" od 3-4 accumulator piston	1	81-90	8628275	32302T
G42	Ring, sealing (teflon) 1-2 accumulator piston	1	81-90	8634390	32325T
G42	Ring, sealing (metal) 1-2 accumulator piston	1	81-90	8634390	32325
G43	Ring, sealing (teflon) intermediate servo (inner)	1	81-90	8628123	32303T
G44	Ring, sealing (teflon) 2.360" od intermediate servo (outer)	1	81-90	862897	32306T
n/i	Ring, sealing (teflon) governor shaft	1	81-90	8632588	32315T
n/i	Ring, sealing (teflon) 1.96" od intermediate servo (inner piston)	1	81-84	8630568	32311T
CLUTCH PLATES					
B44	Friction .080" 6.890" od 36T 4th clutch (overdrive)	2	81-90	8657170	32107
B45	Steel .080" 5.845" id 6T 4th clutch (overdrive)	3	81-90	8634026	32109
B45	Steel .080" 5.845" id 6T (Kolene®) 4th clutch (overdrive)	3	81-90	8634026	32109K
B46	Friction .088" 5.090" od 40T overrun clutch	2	81-90	8657031	32108
B47	Steel .083" 3.954" id 36T overrun clutch	2	81-90	8634050	32110
B47	Steel .080" 3.954" id 36T (Kolene®) overrun clutch	2	81-90	8634050	32110K
D48	Friction .078" 5.225" od 30T direct clutch	4/5	81-90	8648350	32103
D48	Friction .078" 5.225" od 30T direct clutch	ar	81-90	8648350HP	32103H
D49	Steel .090" 4.342" id 30T direct clutch	5/6	81-90	8628484	32104
D49	Steel .090" 4.342" id 30T (Kolene®) direct clutch	5/6	81-90	8628484	32104K
D49	Steel .100" 4.342" id 30T direct clutch	ar	81-85	86284840S	32104X
D50	Friction .078" 5.225" od 30T forward clutch	4/5	81-90	8648350	32103
D50	Friction .078" 5.225" od 30T forward clutch	4/5	81-90	8648350HP	32103H
D51	Steel .078" 4.342" id 30T forward clutch	5/6	81-90	8628448	32100
E52	Friction .075" 5.525" od 44T low/reverse clutch	4/6	81-90	8648351	32102A
E52	Friction .075" 5.525" od 44T low/reverse clutch	4/6	81-90	8628225HP	32102H
E53	Steel .078" 4.691" id 44T low/reverse clutch	6	81-90	8628224	32101
E53	Steel .078" 4.691" id 44T (Kolene®) low/reverse clutch	6	81-90	8628224	32101K
E53	Steel .088" 4.691" id 44T low/reverse clutch	ar	81-90	86282240S	32101X
n/i	Steel, waved .062" 4.342" id 30T forward clutch (cushion)	ar	81-90	8628085	32105
n/i	Steel, waved .078" 4.691" id 44T low/reverse clutch (cushion)	ar	81-90	8633371	32101A
PRESSURE PLATES					
B55	Pressure plate .198" 5.02mm 4th clutch	1	81-90	8634866	32714C-R
B56	Pressure plate .198" 5.02mm overrun clutch	1	81-90	8634052	32714B-R
D57	Pressure plate .180" 4.55mm direct clutch	1	81-90	8632570	32714A-R
D58	Pressure plate .250" 6.25mm forward clutch	1	81-90	8628088	32714-R
FILTERS					
K9	Kit, filter neoprene/cork	1	81-90	AE	FK32710M
K9	Kit, filter Duraprene®	1	81-90	AE	DK32710M

ILL	DESCRIPTION	QTY	YEAR	REFERENCE #	PART #
FILTERS (CONTINUED)					
G59	Filter TH200-4R	1	81-90	8634223	32710M
n/i	Screen, filter lock-up/TCC solenoid	1	81-90	8627509	34713
BANDS					
C60	Band, flex intermediate	1	81-90	8628098	32700F
BUSHINGS					
K13	Kit, bushing 12 pieces	1	81-90	AE	K32901M
A61	Bushing (babbit) pump body	1	81-90	8628913S	61005
A61	Bushing (knurled special) pump body	1	81-90	M70401	61005A
A61	Bushing (Duralife ®) pump body	1	81-90	79015	61005B
A61	Bushing (seal-sure) pump body	1	81-90	65005SS	61005X
A62	Bushing (bronze) stator shaft (front)	1	81-90	8628915	32006
B63	Bushing overrun clutch housing	1	81-90	8634908	32017
B64	Bushing overdrive carrier (planetary)	1	81-90	8631905	51011
C65	Bushing 29.8mm od center support (front)	1	81-90	8634907	32019
C66	Bushing 33.8mm od center support (rear)	1	81-90	8634913	32020
C67	Bushing 58.0mm od direct clutch drum (front)	1	81-90	8634919	32000A
C68	Bushing 1.886" od 47.64mm direct clutch drum (rear)	1	81-90	88634918	32001
D69	Bushing front internal gear (long)	1	81-90	8630990	32002A
E70	Bushing rear sun gear	1	81-90	8628928	32007
E71	Bushing low/reverse clutch housing	1	81-90	8628929	32008
F72	Bushing rear planetary	1	81-90	8628947	32004
G73	Bushing (babbit) 1.626" od extension housing	1	81-90	6260048	8008A
G73	Bushing (bronze w/dimples) extension housing (w/27 spline output)	1	81-90	6260048	8008
D74	Bushing forward clutch housing	1	81-90	8634925	32015
WASHERS/BEARINGS/RACES/SHIMS					
K12	Kit, bearing TH200-4R	1	81-90	AE	K32906M
K14	Kit, thrust washer inc 1 selective per group	1	81-90	AE	K32907M
K14	Kit, thrust washer TH200-4R	2	81-90	AE	K51442
K14	Kit, planetary carrier washer 1 each selective	1	81-90	AE	K32907B
K14	Kit, planetary carrier washer 1 each selective	1	81-90	AE	K32907A
C75	Thrust washer internal gear to center support	1	81-90	8634146	32420
C76	Thrust washer center support to direct drum	1	81-90	8634157	32421
D77	Thrust washer direct drum to forward housing	1	81-90	8628091	32402
D78	Thrust washer selective washer to front internal gear	1	76-87	8628765	32403
E79	Washer, thrust (metal) .060" (4 tabs) drive shell to low/reverse housing	1	81-90	8628549	32406
E79	Washer, thrust (plastic) .060" (4 tabs) drive shell to low/reverse housing	1	81-90	8628766	32406A
E79	Thrust washer (plastic) .080" drive shell to low/reverse housing (thick)	ar	81-90	86287660S	32406X
F80	Thrust washer (plastic) low roller clutch race to rear planetary	1	81-90	8628182	32408
F80	TB, rear carrier to low race low roller clutch race to rear planetary	1	84-90	8648389	32408A
F81	Thrust washer (metal) rear planetary to rear internal gear	1	81-90	8628188	32409
A82	TW (plastic) .169" (scarlet #1) overdrive housing to pump	sel	81-90	8634120	32600
A82	TW (plastic) .174" (white #2) overdrive housing to pump	sel	81-90	8634121	32600A
A82	TW (plastic) .178" (brown #3) overdrive housing to pump	sel	81-90	8634122	32600B
A82	TW (plastic) .184" (gray #4) overdrive housing to pump	sel	81-90	8634123	32600C
A82	TW (plastic) .188" (yellow #5) overdrive housing to pump	sel	81-90	8634124	32600D
A82	TW (plastic) .193" (blue #6) overdrive housing to pump	sel	81-90	8634125	32600E
A82	TW (plastic) .198" (purple/pink #7) overdrive housing to pump	sel	81-90	8634386	32600F
A82	TW (plastic) .202" (orange/black #8) overdrive housing to pump	sel	81-90	8634387	32600G
A82	TW (plastic) .207" 5.20mm (green #9) overdrive housing to pump	sel	81-90	8634388	32600H
D83	TW (plastic) .068" (white #1) forward housing to output shaft	sel	76-90	8639291	32400
D83	TW (plastic) .073" (neutral #2) forward housing to output shaft	1	81-90	8639292	32400A
D83	TW (plastic) .078" (black #3) forward housing to output shaft	1	81-90	8639293	32400B
D83	TW (plastic) .083" (green #4) forward housing to output shaft	1	81-90	8639294	32400C

ILL	DESCRIPTION		QTY	YEAR	REFERENCE #	PART #
WASHERS/BEARINGS/RACES/SHIMS (CONTINUED)						
D83	TW (plastic) .088" (red #5)	forward housing to output shaft	1	81-90	8639295	32400D
D83	TW (plastic) .093" (purple #6)	forward housing to output shaft	1	81-90	8639296	32400E
D83	TW (plastic) .098" (brown #7)	forward housing to output shaft	1	81-90	8639297	32400F
D83	TW (plastic) .103" (orange #8)	forward housing to output shaft	1	81-90	8639298	32400G
D83	TW (plastic) .108" (yellow #9)	forward housing to output shaft	1	81-90	8639299	32400H
D83	TW (plastic) .113" (lt blue #10)	forward housing to output shaft	1	81-90	8639300	32400J
D83	TW (plastic) .118" (lt tan #11)	forward housing to output shaft	1	81-90	8639301	32400K
D83	TW (plastic) .123" (tan #12)	forward housing to output shaft	1	81-90	8639302	32400L
D83	TW (plastic) .128" (rose #13)	forward housing to output shaft	1	81-90	8639303	32400M
D83	TW (plastic) .133" (lt green #14)	forward housing to output shaft	1	81-90	8639304	32400N
D83	TW (plastic) .138" (smoke #15)	forward housing to output shaft	1	81-90	8639305	32400P
D84	TW (metal) .117" (orange #1)	output shaft snap ring to brass TW	1	81-90	8628161	32212
D84	TW (metal) .124" (white #2)	output shaft snap ring to brass TW	1	81-90	8628162	32212A
D84	TW (metal) .131" (yellow #3)	output shaft snap ring to brass TW	1	81-90	8628163	32212B
D84	TW (metal) .138" (yellow #4)	output shaft snap ring to brass TW	1	81-90	8628164	32212C
D84	TW (metal) .145" (red #5)	output shaft snap ring to brass TW	1	81-90	8628165	32212D
D84	TW (metal) .152" (brown #6)	output shaft snap ring to brass TW	1	81-90	8628166	32212E
D84	TW (metal) .159" (green #7)	output shaft snap ring to brass TW	1	81-90	8628167	32212F
D84	TW (metal) .166" (black #8)	output shaft snap ring to brass TW	1	81-90	8628168	32212G
D84	TW (metal) .173" (pink #9)	output shaft snap ring to brass TW	1	81-90	8628169	32212H
D84	TW (metal) .100" (gold #10)	output shaft snap ring to brass TW	1	81-90	8630911	32212J
B85	Bearing, thrust	overdrive sun gear to overdrive planetary	1	81-90	8634035	32425B
B86	Bearing, thrust	overdrive planetary to od internal gear	1	81-90	8634035	32425B
E87	Bearing, thrust	front internal gear to front planetary	1	81-90	8628202	32404
E88	Bearing, thrust	front planetary to front sun gear	1	81-90	8633875	32405
F89	Bearing, thrust	rear planetary to rear internal gear	1	81-90	8628962	32409A
SNAP RINGS						
E121	Snap ring	drive shell to sun gear	1	81-90	8623105	32733-R
PUMP PARTS AND PUMPS						
K10	NoYoYo® pump ring kit	up to 5500 RPM	1	81-90	700-PK™	K32804
K10	NoYoYo® pump ring kit	high rev 5500 and over	1	81-90	700-PKH™	K32804H
K10	Pump ring kit	TH200-4R	1	81-90	K77877	S32804
K38	Kit, pump springs	TH200-4R	1	81-90	AE	32879
K43	Kit, vane and ring (7 vane)	TH200-4R	1	81-86	8634904	K32801
K43	Kit, vane and ring (10 vanes)	TH200-4R	1	81-90	8631280	K32801A
K43	Kit, rotor slide, guide (10 vanes)	TH200-4R	1	81-90	AE	K32800A
A90	Pump assembly	TH200-4R	1	81-90	AE	32200C-R
A91	Guide, rotor (7 vane type)	TH200-4R	1	81-86	8654733	32422
A91	Guide, rotor (10 vane type)	will retro w/later rotor	1	87-90	12337830	32422A
A92	Valve, pressure regulator	TH200-4R	1	81-90	8637546	61964
A94	Shaft, stator (heat treated)	TH200-4R	1	81-90	65917S	32969M
A95	Slide, pump .709"-.710"	TH200-4R	1	81-90	8634083	32803
A96	Vane, pump	TH200-4R	7/10	81-90	8631280	32800
A96	Rotor, pump (10 vane)	will retro w/late guide	1	81-90	8654389	32802A
F98	Ring, pump vane (solid)	cast iron	2	81-90	8634086	32322
F98	Ring, pump vane (solid)	harden steel	2	81-90	8634086SP	32322SP
HARD PARTS						
B99	Gear, sun	overdrive	1	81-90	8634033	32833-R
B100	Planetary	overdrive	1	81-90	8678912	32817-R
B102	Housing, overdrive clutch	TH200-4R	1	81-90	8634107	32723M-R
B103	Piston	overdrive clutch	1	81-90	8634110	32724M-R
C104	Support, center	TH200-4R	1	81-90	8634140	32748M-R
C105	Housing, direct clutch	TH200-4R	1	81-90	8634916	32726M-R

ILL	DESCRIPTION	QTY	YEAR	REFERENCE #	PART #
HARD PARTS (CONTINUED)					
D106	Housing, forward clutch	1	81-90	8634926	32725M-R
E107	Housing, low/reverse	1	81-90	8628212	32727-R
E109	Race, inner	1	81-90	8628184	32430-R
G110	Governor, assembly	1	81-90	8634927	32827-R
D113	Gear, front internal	1	81-90	8639947	32748-R
E114	Planetary	1	81-90	8628174	32747-R
E115	Gear, sun	1	81-90	8628190	32728A-R
E116	Shell, drive	1	81-90	8648484	32729
E116	Shell, drive	1	81-90	8648484	32729-R
F117	Planetary	1	81-90	8657064	32730A-R
C118	Guide, for retainer w/springs	1	81-90	8630195	32751-R
E119	Gear, sun	1	81-90	8628206	32728B-R
F120	Gear, rear internal	1	81-90	8628196	32749-R
G128	Filler tube repair	1	81-90	M99100A	96-140A
D129	Retainer, w/springs	1	81-90	8628492	32751A-R
C130	Guide, for retainer w/springs	1	81-90	8630096	32751-R
B131	Retainer, spring	1	81-90	8634061	32961-R
C132	Retainer, w/springs	1	81-90	8634022	32751C-R
E133	Spring, waved	1	81-90	8628222	32551-R
B134	Spring, waved	1	81-90	8634116	32551A-R
B136	Cam (inner race)	1	81-90	8634038	32838-R
G145	Spring (purple)	1	81-90	8634163	61706
G145	Spring (red)	1	81-90	8634703	61706C
G146	Spring	1	81-85	8634391	32891
G161	Piston, (w/seal)(lg pin)	1	81-90	8635909	K61985
G155	Valve body spacer plate	1	81-87	8639139	8639139
G155	Valve body spacer plate	1	81-90	8657010	8657010
G156	Cable, detent	1	77-90	K65940U	63-399
n/i	Check valve w/ball	1	81-90	8633748	32764
n/i	Pin, servo extendo	1	81-90	65786E	32708E
n/i	Pin, throttle valve boost	1	81-90	M12712	51966
n/i	Super servo	1	81-90	K014	32986
ELECTRICAL COMPONENTS					
A160	Solenoid (PT, IG1)	1	82-90	8634967	5A-118
A160	Solenoid (PT,EG,W/4)	1	82-90	8634960	5A-119
A160	Solenoid (w/diode posi-lock connectors)	1	82-90	K-77929U	5A-144
A160	Solenoid (PT, 1G2, W/GR)	1	84-87	8634961	5A-120
A160	Solenoid (PT, EG, W/4, W/GR)	1	84-90	8639900	5A-122
A160	Solenoid	1	84-90	8639901	5A-121
G161	Connector, electrical (3 terminal square)	1	81-90	8634383	25A-103
G161	Connector, electrical (4 terminal square)	1	82-90	8635152	25A-104
n/i	Switch, pressure (1 terminal)	1	81-90	8634475	15A-112
n/i	Switch, pressure (2 terminals)	1	81-90	8634333	15A-111
n/i	Switch (w/tube)	1	81-90	8634463	15A-116
n/i	Switch (w/tube 2 prongs)	1	82-90	8634853	15A-117
n/i	Switch, pressure (non-grounding)	1	82-90	15A-133	15A-133
SPRAGS					
F108	Sprag, roller clutch	1	81-90	8628183	32502
B135	Roller clutch	1	81-90	8634049	32849
SPEEDO GEARS					
G125	Gear, speedo 13T (plastic)	1	81-90	8634934	02-256
G125	Gear, speedo 12T (plastic)	1	81-90	8634935	02-258
G125	Gear, speedo 14T (plastic)	1	81-90	8634965	02-260



TH700-R4•700-R4•4L60•4L60E•4L65E•4L70E•4L75E

TH700-R4•4L60•E•65E•70E•75E

ILL	DESCRIPTION	QTY	YEAR	REFERENCE #	PART #
TECHNICAL MANUALS					
K53	Tech manual TH700-R4 4L60 dis/assembly	1	82-86	83-700RTM	010-309
K53	Update handbook changes, parts	1	87-88	83-700RTM-U1	010-311
K53	Tech manual 4L60 dis/assembly	1	87-93	4L60TM	010-320
K53	Tech manual 4L60-E dis/assembly	1	93-03	83-4L60ETM	010-316
K53	Update handbook changes, parts	1	93-03	83-4L60ETM-U1	010-326
K53	Diagnostic code book	1	91-07	ANEWGMCBTM	010-327
REBUILDER KITS					
K4	Master deluxe rebuild kit	1	82-84	AE	K6100-R
K4	Master deluxe rebuild kit	1	84-87	AE	K6100A-R
K4	Master deluxe rebuild kit	1	87-92	AE	K6100B-R
K4	Master deluxe rebuild kit (w/o pistons)	1	93-96	AE	K6100C-R
K4	Master deluxe rebuild kit (w/o pistons)	1	97-06	AE	K6100D-R
K4	Master deluxe rebuild kit (w/o pistons)	1	01-03	AE	K6100E-R
K4	Master deluxe rebuild kit (w/o pistons)	1	04-06	AE	K6100F-R
K4	Master deluxe rebuild kit	1	82-92	AE	H6100-R
K5	Master kit w/steels	1	82-84	AE	K6100
K5	Master kit w/steels	1	84-87	AE	K6100A
K5	Master kit w/steels	1	87-92	AE	K6100B
K5	Master kit w/steels (w/o pistons)	1	93-96	AE	K6100C
K5	Master kit w/steels (w/o pistons)	1	97-06	AE	K6100D
K5	Master kit w/steels (w/o pistons)	1	01-03	AE	K6100E
K5	Master kit w/steels (w/o pistons)	1	04-06	AE	K6100F
K6	Master kit w/o steels	1	82-84	AE	K6100-LS
K6	Master kit w/o steels	1	84-87	AE	K6100A-LS
K6	Master kit w/o steels	1	87-92	AE	K6100B-LS
K6	Master kit w/o steels (w/o pistons)	1	93-00	AE	K6100C-LS
K6	Master kit w/o steels (w/o pistons)	1	01-03	AE	K6100E-LS
K6	Master kit w/o steels (w/o pistons)	1	04-06	AE	K6100F-LS
K7	O/H gasket set w/seals-rings	1	82-92	AE	K61900
K7	O/H gasket set w/seals-rings	1	93-03	AE	K61900A
K7	O/H gasket set w/seals-rings	1	04-06	AE	K61900F
K8	External seal kit	1	82-10	AE	K61900-2
K11	Gasket and seal kit (w/combo VB gaskets)	1	82-92	AE	K61900-1
K11	Gasket and seal kit	1	93-10	AE	K61900A-1
K28	Kit, 2-4 servo O-rings	1	82-10	AE	K61900-3
VALVE BODY KITS					
K15	Shift Kit® system kit-servo/accm/gov/PR	1	82-92	SK® 700	K61908
K15	Shift Kit®-Jr fix sticking TV/3-4 cl fail	1	82-92	SK® 700-Jr	K61908A
K15	Shift Improving Kit® fix slide bump 1-2	1	93-04	SK® 4L60E	K61908E
K15	Heavy duty and high-performance	1	82-92	700-2+3	700-3
K15	Heavy duty and high-performance	1	93-05	4L60E-HD2	4L60E-HD2
K15	Pressure control vacuum kit	1	93-05	46-MOD	K61908M
K15	700 max throttle 4th shift valve	1	82-88	7-4-V	K61989
K15	Converter conversion valve	1	82-92	7-CCV	K61973
K15	Converter conversion valve	1	93-04	4L6-CCV	K61973A
K15	Shift Improver Kit	1	82-92	70239	114-70239
K15	Shift Improver Kit	1	93-01	70360	114-70360
K15	Shift Improver Kit (light truck)	1	93-01	10023	114-10023
K15	Transpak™	1	82-92	70235	114-70235
K15	Transpak™	1	93-01	70365	114-70365
K15	Shift Correction Package	1	82-92	K700-R4	S61908
K15	Shift Correction Package	1	93-97	K4L60-E	S61908E
K15	Shift Correction Package	1	98-05	K4L60E-L	S61908F

TH700-R4•700-R4•4L60•4L60E•4L65E•4L70E•4L75E

TH700-R4•4L60•E•65E•70E•75E

ILL	DESCRIPTION	QTY	YEAR	REFERENCE #	PART #	
VALVE BODY KITS (CONTINUED)						
K15	Shift Correction Package	high performance	1	82-92	K700-R4-HP	K700-R4-HP
K15	Shift point package	governor calibration	1	82-92	K018	34964
K15	High gear lock-up package	TH700-R4/4L60	1	82-92	K013	K013
GASKETS AND RUBBER COMPONENTS						
G1	Gasket, oil pan	TH700-R4/4L60E (neoprene/cork)	1	82-10	8642360	13960X
G1	Gasket, oil pan	TH700-R4/4L60E (Duraprene®)	1	82-10	8654799	13960D
A2	Seal, lathe cut	TH700-R4/4L60E (pump body to case)	1	82-04	8654716	3877L
A2	Seal, stamped steel molded rubber	4L60E/65E/70E (pump to case)(wedge type)	1	04-10	24226315	61532
A3	Gasket, pump	TH700-R4/4L60E (pump to case)	1	82-10	8654143	13360
A4	Washer, coated	TH700-R4 (pump bolts)	7	82-86	3884683	13268A
A4	O'ring	TH700-R4/4L60E/65E/70E (pump bolts)	7	86-10	8654341	13268B
G5	Seal, lathe cut	TH700-R4/4L60E (extension housing)	1	82-97	1358899	3896L
G5	Seal, lathe cut	4L60E/65E/70E (extension housing)	1	96-10	24203287	3899L
G6	Gasket, valve body (upper)	TH700-R4 (spacer plate to case)	1	82-86	8647542	13361A
G6	Gasket, valve body (upper)	TH700-R4 (spacer plate to case)	1	87-92	8681339	13361B
G6	Gasket, valve body (upper)	4L60E (spacer plate to case)	1	93-00	24211921	13361C
G6	Gasket, valve body (upper)	4L60E (spacer plate to case)	1	01-06	24211921	13361D
G6	Gasket, valve body (upper)	4L60E/4L65E/4L70E (spacer plate to case)	1	06-09	BB36484	13361E
G7	Gasket, valve body (lower)	TH700-R4 (spacer plate to VB)	1	82-86	8647064	13362A
G7	Gasket, valve body (lower)	TH700-R4 (spacer plate to VB)	1	87-92	8681351	13362B
G7	Gasket, valve body (lower)	4L60E/65E (spacer plate to VB)	1	93-00	24211920	13362C
G7	Gasket, valve body (lower)	4L60E/65E (spacer plate to VB)	1	01-06	24211920	13362D
G7	Gasket, valve body (lower)	4L60E/4L65E/4L70E (spacer plate to case)	1	06-09	B36483	13362E
G8	O'ring (w/teflon coating)	TH700/4L60E/65E/70E (2-4 servo piston)	1	82-10	8642112	13363
G9	O'ring (w/teflon coating)	TH700/4L60E/65E/70E (2-4 servo cover)	1	82-10	8647351	13579
A10	O'ring	700/4L60E/65E/70E (pump screen)(filter)	1	82-10	8642581	23015
G11	O'ring (2 1/8" dia)	TH700-R4/4L60E (speedo gear housing)	1	82-92	25501478	13582
G11	O'ring .970"	4L60E/65E (speed sensor except Corvette)	1	93-10	B17888	1025
G12	Gasket	TH700-R4 (accm housing to spacer plate)	1	82-82	8642129	13365
G13	O'ring	TH700-R4 (filter)	1	82-87	6264903	3410L
G13	Multi lip seal	TH700-R4 (retro w/late filter)	1	88-92	8657767	13745
G13	Multi-lip seal (boot)	4L60E/65E (filter to press in pump)	1	93-10	8685775	13746
G14	O'ring	TH700/4L60E (output shaft yoke to sleeve)	1	82-10	3764601	13538
C15	O'ring	TH700/4L60E (input shaft and TCC solenoid)	1/2	82-10	8630049	13917
C15	O'ring (teflon coated/green)	TH700/4L60E (input shaft 2.2L/2.5L/2.8L)	1	82-04	8662686	13766
C15	O'ring (teflon coated)	4L60E/65E(input shaft to 300m converter)	1	98-10	24212987	13917A
C16	O'ring	input hsg to forward clutch hsg	1	82-10	8673104	13349
C17	Seal, w/external splines (plastic)	TH700-R4 (input housing to output shaft)	1	82-92	8642178	13598
C17	Seal, w/external splines (viton)	input housing to output shaft	1	93-10	8677268	13599
G18	Seal, lathe cut	TH700-R4 (governor cover)	1	82-92	1241734	13515
A19	Seal (rubber)	TH700-R4/4L60E/65E/70E (pump slide)	1	82-10	8631283	13762
A20	Seal (teflon)	TH700-R4/4L60E/65E/70E (pump slide)	1	82-10	8631877	13768
A21	O'ring	TH700-R4/4L60E/65E/70E (pump slide)	1	82-10	8634088	13982
G22	Multi lip seal (boot)	TH700-R4/4L60E/65E/70E (filler tube)	1	82-10	1259475	13925
G23	Multi lip seal (boot)	TH700-R4 (detent cable)	1	82-92	25518260	13581
G25	O'ring	TH700-R4 (case connector)	1	82-93	6264903	3410L
G25	O'ring	4L60E (case connector)	1	93-10	B15742	1024
B26	Lip seal	TH700-R4 (reverse piston steel outer long)	1	82-87	8642057	13347
B26	Lip seal	4L60/E (reverse piston alum outer long)	1	87-10	8663073	13347A
B26	Lip seal	TH700-R4/4L60E (reverse piston inner long)	1	82-10	8642058	13348
C27	Lip seal	TH700/4L60E (3rd/4th piston inner long)	1	82-94	8634134	13344
C27	Lip seal	TH700/4L60E (3rd/4th piston outer long)	1	82-94	8642138	13343
C28	Lip seal	TH700/4L60E (forward clutch inner long)	1	82-97	8642147	13342

TH700-R4•700-R4•4L60•4L60E•4L65E•4L70E•4L75E

TH700-R4•4L60•E•65E•70E•75E

ILL	DESCRIPTION	QTY	YEAR	REFERENCE #	PART #
GASKETS AND RUBBER COMPONENTS (CONTINUED)					
C28	Lip seal TH700/4L60E (forward clutch outer long)	1	82-97	8642146	13341
C29	Lip seal TH700/4L60E (overrun clutch inner long)	1	82-97	8642152	13346
C29	Lip seal TH700/4L60E (overrun clutch outer long)	1	82-97	8642151	13345
F30	Seal, lathe cut low/reverse piston center	1	82-10	8663772	13536
F30	Seal, lathe cut TH700/4L60E/65E (low/reverse piston inner)	1	82-10	3812830	3773L
F30	Seal, lathe cut TH700/4L60E/65E (low/reverse piston outer)	1	82-10	8663771	3774L
G31	Lip seal w/o spring TH700-R4 (speedo driven gear w/o spring)	1	82-92	1240382	3991LS
G31	Lip seal w/spring TH700-R4 (speedo driven gear w/spring)	1	82-92	1240382HD	3991L
G42	Seal, lathe cut (beveled) 4L60/E (1-2/3-4 accm and aux VB piston)	3	87-10	24206509	13965
G42	Seal, lathe cut 4L60E/65E/70E (forward accumulator)	1	93-10	24206508	13965A
n/i	Ball, check (1/4" steel) TH700-R4/4L60E/65E/70E	9	82-10	147485	13924S
n/i	O'ring 3/8" line 4L60E (cooler line fittings)	2	93-97	6034493	1077
METAL CLAD SEALS					
A33	Seal, metal clad TH700-R4/4L60E/65E/70E (front)	1	82-10	8657116	61151A
G34	Seal, metal clad 60x38x12mm TH700-R4/4L60E/65E (extension housing)	1	82-06	1243402	8850B
G34	Seal, metal clad 4L60E/65E (adapter housing) 4WD	1	06-10	97287358	22978
G35	Seal, metal clad TH700-R4/4L60E/65E (manual lever shaft)	1	82-06	8623056	38511
A119	Retainer, seal TH700-R4/4L60E/65E/70E (front)	1	82-10	8654491	61991
n/i	Seal, metal clad 4L60E/65E/70E (Corvette only/rear case)	1	97-10	24207010	61152
SEALING RINGS					
K10	Kit, sealing ring (teflon) TH700-R4/4L60E/65E/70E (combo)	1	82-10	AE	K61903T
K10	Kit, sealing ring (metal) TH700-R4	1	82-92	AE	K61903
A36	Ring, sealing (teflon) TH700-R4 (pump stator)	2	82-10	8628055	32300T
A36	Ring, sealing (teflon)(solid) 4L60E/65E/70E (pump stator)	2	92-10	8681292	61300T
C37	Ring, sealing (metal)(not included) TH700-R4 (input shaft/step joint)	4	82-92	8667035	61301
C37	Ring, sealing (teflon)(solid) TH700-R4/4L60E/65E (input shaft)	4	82-10	8667035	61301T
G38	Ring, sealing (teflon) 4th apply piston outer	1	82-10	8642480	61302T
G38	Ring, sealing (metal)(not included) 4th apply piston outer	1	82-10	8642480	61302
G39	Ring, sealing (teflon) 2nd apply piston inner	1	82-10	8642084	61305T
G39	Ring, sealing (metal)(not included) 2nd apply piston inner	1	82-10	8642084	61305
G39	Ring, sealing (teflon) 2nd apply piston inner	1	82-10	8642458	61303T
G39	Ring, sealing (metal)(not included) 2nd apply piston inner	1	82-10	8642458	61303
G39	Ring, sealing (teflon) 2nd apply piston inner	1	82-10	8642459	61306T
G39	Ring, sealing (metal)(not included) 2nd apply piston inner	1	82-10	8642459	61306
G40	Ring, sealing (teflon) 2nd apply piston outer	1	82-10	8642081	61304T
G41	Ring, sealing TH700-R4 (band apply pin)	2	82-92	8630120	32323T
G42	Ring, sealing (teflon) 1.998" od TH700-R4 (1-2/3-4 accm piston)	2	82-86	8634161	32302T
CLUTCH PLATES					
B44	Friction .078" 6.040" od 41T TH700-R4 (reverse clutch)	4	82-87	8654306	61100
B44	Friction .068" 6.040" od 41T reverse clutch	4	87-10	8663079	61100A
B44	Friction .078" 6.040" od 41T high performance (reverse clutch)	4	82-10	8642063HP	61100H
B45	Steel .078" 5.085" id 36T reverse clutch	3/4	82-10	8642061	61101
B45	Steel .078" 5.085" id 36T (Kolene®) reverse clutch	3/4	82-10	8673601	61101K
B45	Steel .090" 5.085" id 36T reverse clutch	sel	82-10	8663080	61101D
B45	Steel .078" 5.085" id 36T (w/6 holes) reverse clutch	4	97-10	24205267	61101E
B46	Steel, waved .088" 5.085" id reverse clutch (cushion)	1	82-84	8642060	61101A
B46	Steel, waved .080" 5.085" id reverse clutch (cushion)	1	84-87	8647067	61101C
B46	Steel, dished .088" 5.085" id reverse clutch (cushion)	1	87-10	8663074	61101B
D47	Friction .078" 5.037" od 36T overrun clutch	2	82-10	8673253	61102
D47	Friction .078" 5.037" od 36T high performance (overrun clutch)	2	82-10	8673253HP	61102H
D48	Steel .092" 4.262" id 10T overrun clutch	2	82-10	8642154	61103
D49	Friction .078" 5.3.15" od 41T TH700-R4 (forward clutch)	5	82-84	8647350	61104
D49	Friction .069" 5.3.15" od 41T forward clutch	5	85-10	8673254	61104A

TH700-R4•700-R4•4L60•4L60E•4L65E•4L70E•4L75E

TH700-R4•4L60•E•65E•70E•75E

ILL	DESCRIPTION		QTY	YEAR	REFERENCE #	PART #
CLUTCH PLATES (CONTINUED)						
D49	Friction .078" 5.3.15" od 41T	high performance (forward clutch)	5	82-10	8654324HP	61104H
D51	Steel .079" 4.255" id 20T	forward clutch	4	82-84	8642711	61105
D51	Steel .079" 4.255" id 20T (Kolene®)	forward clutch	4	82-84	8642167	61105K
D51	Steel .090" 4.255" id 20T	forward clutch	4	85-10	8654325	61105D
D51	Steel .090" 4.255" id 20T (Kolene®)	forward clutch	4	85-10	8654325	61105DK
D52	Steel, waved .070" 4.255" id 20T	forward clutch (cushion)	1	82-92	8647058	61105A
D52	Steel, waved .050" 4.255" id 12T	forward clutch (cushion)	1	93-10	8686010	61105F-R
D53	Friction .080" 5.745" od 20T	3/4 clutch	6	82-96	8679390	61108
D53	Friction .080" 5.745" od 20T (high energy)	3/4 clutch	6	97-10	24207605	61108A
D53	Friction .066" 5.745" od 20T (high energy)	3/4 clutch	7	01-10	24216932	61108B
D53	Friction .062" 5.745" od 20T	high performance (3/4 clutch)	7	82-10	8654145RHP	61108H
D53	Friction .062" 5.745" od 20T (commercial)	3/4 clutch	ar	82-96	8654145COM	61108X
D53	Friction .062" 5.745" od 20T (high energy)	3/4 clutch (commercial)	ar	97-10	24207605COM	61108AX
D53	Kit, friction and steel	3/4-9 friction-8 steel-1-pressure plate	1	82-10	57757B	K61108
D54	Steel .076" 4.998" id 20T	3/4 clutch	5	82-92	8678053	61109
D54	Steel .076" 4.998" id 20T (Kolene®)	3/4 clutch	6	82-92	8678053	61109K
D54	Steel .060" 4.998" id 20T (commercial)	3/4 clutch	ar	82-10	8663633COM	61109X
D54	Steel .108" 4.998" id 20T	3/4 clutch	5	93-10	8685045	61109E
D54	Steel .108" 4.998" id 20T (Kolene®)	3/4 clutch	5	93-10	8685045	61109EK
D54	Steel .095" 4.998" id 20T	3/4 clutch	6	01-10	24216939	61109F
F55	Friction .087" 6.463" od 25T	low/reverse clutch	4/5	82-10	8641698	35109
F55	Friction .087" 6.463" od 25T	low/reverse clutch (high performance)	5	82-10	8641698HP	35109H
F56	Steel .068" 5.725" id 17T	low/reverse clutch	5	82-10	6261120	35101
F56	Steel .070" 5.725" id (w/4 holes)	low/reverse clutch	5	97-10	24205268	35101E
F56	Steel .089" 5.725" id (w/4 holes)	low/reverse clutch	ar	97-10	24205270	35101F
F56	Steel .049" 5.725" id (w/4 holes)	low/reverse clutch	ar	97-10	24205269	35101G
F56	Steel .068" 5.725" id 17T (Kolene®)	low/reverse clutch	5	82-10	6261120K	35101K
F57	Steel .097" 5.725" id 17T	low/reverse clutch	1	87-10	8667584	61716
F57	Steel .125" 5.725" id 17T	low/reverse clutch	1	87-10	8667585	61716A
F57	Steel .049" 5.725" id 17T	low/reverse clutch	1	90-10	8673548	61716B
F57	Steel .089" 5.725" id 17T	low/reverse clutch	1	90-10	8673549	61716C
D63	Retainer, w/tangs .052"	3/4 clutch	1	82-92	8642171	61107A-R
F78	Steel, waved .095" 5.725" id 17T	low/reverse clutch (cushion)	1	87-10	8676362	61716D
PRESSURE PLATES						
B58	Pressure plate .250" 6.35mm	reverse clutch	sel	82-87	8663654	61714D-R
B58	Pressure plate .240" 6.00-6.15mm	reverse clutch	sel	87-10	8663078	61714-R
B58	Pressure plate .260" 6.62-6.77mm	reverse clutch	sel	87-10	8663077	61714A-R
B58	Pressure plate .290" 7.24-7.39mm	reverse clutch	sel	87-10	8682864	61714B
B58	Pressure plate .310" 7.86-8.01mm	reverse clutch	sel	87-10	8682863	61714C
D59	Spacer, aluminum	forward clutch	sel	82-86	8642164	61105B-R
D60	Pressure plate .255" 6.44mm	forward apply	1	82-86	8642163	61106-R
D60	Pressure plate .169" 4.30mm	forward apply	1	87-92	24212462	61106B-R
D60	Pressure plate .142" 3.60mm	forward apply	1	93-10	n/a	61106C-R
D61	Pressure plate .267" 6.75mm	forward backing	1	82-86	8642169	61105C-R
D61	Pressure plate .207" 5.24mm (stamped D)	forward backing	sel	87-10	24212467	61715-R
D61	Pressure plate .230" 5.85mm (stamped C)	forward backing	sel	87-10	24212468	61715A-R
D61	Pressure plate .251" 6.46mm (stamped B)	forward backing	sel	87-10	24212469	61715B
D61	Pressure plate .277" 7.07mm (stamped A)	forward backing	sel	87-10	24212470	61715C
D61	Pressure plate .185" 4.60mm	TH700/4L60E/65E/70E (forward backing)	sel	87-10	24212466	61715D
D62	Pressure plate .165" 4.00-4.25mm (#4)	3/4 backing	sel	82-86	8663659	61109D-R
D62	Pressure plate .205" 5.00-5.25mm (#3)	3/4 backing	sel	82-86	24213591	61109C-R
D62	Pressure plate .243" 6.00-6.25mm (#2)	3/4 backing	sel	82-86	8663657	61109B
D62	Pressure plate .280" 7.00-7.25mm (#1)	3/4 backing	sel	82-86	8663656	61109A-R

TH700-R4•700-R4•4L60•4L60E•4L65E•4L70E•4L75E

TH700-R4•4L60•E•65E•70E•75E

ILL	DESCRIPTION	QTY	YEAR	REFERENCE #	PART #	
PRESSURE PLATES (CONTINUED)						
D62	Pressure plate .160" 3.90-4.10mm	4L60/E (3/4 backing)	1	87-10	24212459	61721
D62	Pressure plate .193" 4.79-4.99mm	4L60/E (3/4 backing)	1	87-10	24212460	61721A
D62	Pressure plate .220" 5.50-5.65mm	4L60/E (3/4 backing)	1	87-10	24217516	61721B
D62	Pressure plate .230" 5.68-5.88mm	4L60/E (3/4 backing)	1	87-10	24212461	61721C
D62	Pressure plate .240" 6.05-6.15mm	4L60/E (3/4 backing)	1	87-10	24217517	61721D
D65	Pressure plate .130" 3.30mm	3/4 apply	1	82-89	8642172	61107
D65	Pressure plate .130" 3.30mm (stepped)	3/4 apply	1	87-92	8676379	61107B-R
D65	Pressure plate .215" 5.51mm (flat w/tangs)	3/4 apply	1	93-10	8685044	61107C
D65	Pressure plate .160" 4.06mm (stepped)	3/4 apply	1	93-10	n/a	61107D-R
FILTERS						
K9	Kit, filter, dacron will retro	Duraprene®	1	82-92	AE	DK61710
K9	Kit, filter, will retro	neoprene/cork	1	82-92	AE	FK61710
K9	Kit, filter	4L60E (Duraprene®)	1	93-97	AE	DK61710A
K9	Kit, filter	4L60E (neoprene/cork)	1	93-97	AE	FK61710A
K9	Kit, filter	Corvette 4L60E/65E (Duraprene®)	1	98-05	AE	DK61710B
K9	Kit, filter	Corvette 4L60E/65E (neoprene/cork)	1	98-05	AE	FK61710B
K9	Kit, filter (deep pan)	4L60E (Duraprene®)	1	98-03	AE	DK61710C
K9	Kit, filter (deep pan)	4L60E (neoprene/cork)	1	98-03	AE	FK61710C
K9	Kit, filter (w/"s" on filter)	4L60E HP (Duraprene®)	1	98-06	AE	DK61710D
K9	Kit, filter (w/"s" on filter)	4L60E HP (neoprene/cork)	1	98-06	AE	FK61710D
K9	Kit, filter (deep pan)	4L60E/65E/70E (Duraprene®)	1	04-10	AE	DK61710E
K9	Kit, filter (deep pan)	4L60E/65E/70E (neoprene/cork)	1	04-10	AE	FK61710E
K9	Kit, filter (stepped filter)	4L60E/65E/70E (Duraprene®)	1	04-10	AE	DK61710F
K9	Kit, filter (stepped filter)	4L60E/65E (neoprene/cork)	1	04-10	AE	FK61710F
G64	Filter	TH700-R4 (200-4R type)	1	82-86	8642933	32710M
G64	Filter, dacron (will retro)	TH700-R4	1	82-92	8667689	61710
G64	Filter	4L60E/65E	1	93-10	8681082	61710A
G64	Filter	Corvette (4L60E/65E)	1	98-06	24208149	61710B
G64	Filter	4L60E (deep pan)	1	98-03	24208465	61710C
G64	Filter (w/"s" on filter)	4L60E (will retrofit 61710A)	1	98-10	24208148	61710D
G64	Filter	4L60E (deep pan)	1	04-10	24208813	61710E
G64	Filter (stepped)	4L60E/65E	1	04-10	24226101	61710F
A80	Screen, filter (plastic)	TH700-R4/4L60E/65E/70E (pump stator)	1	82-10	8642036	61712
n/i	Screen, filter (plastic)(lg rectangle)	force motor goes in spacer plate	1	93-10	24209145	61717
n/i	Screen, filter (plastic)(sm rectangle)	shift solenoid goes in spacer plate	1	93-10	824209144	61718
n/i	Screen, filter (plastic)	TH700-R4/4L60E (case)	1/2	82-97	12338044	35712
n/i	Screen, filter (plastic)	inside lock-up/TCC solenoid snout	1	98-10	FDB87143	61719
n/i	Filter, auxiliary pump	4L65E	1	05-07	n/a	61711
BANDS						
B66	Band, 2nd and 4th	TH700-R4/4L60E	1	82-92	8654144	61700
B66	Band, 2nd and 4th (high performance)	TH700-R4/4L60E/65E/70E	1	82-10	8642076HP	61700HP
B66	Band, 2nd and 4th (high energy)	4L60E/65E/70E	1	92-10	24201131	61700A
BUSHINGS						
K13	Kit, bushing	TH700-R4 (W/27 spline input)	1	82-84	AE	K61901
K13	Kit, bushing	TH700-R4 (W/30 spline input)	1	85-10	AE	K61901A
A67	Bushing (babbit)	TH700-R4/4L60E (pump body)	1	82-92	8628913	61005
A67	Bushing (knurled special)	TH700-R4/4L60E (pump body)	1	82-10	M70401	61005A
A67	Bushing (Duralife ®)	4L60E (pump body)	1	82-10	79015	61005B
A67	Bushing (seal-sure)	4L60E (pump body)	1	82-10	65005SS	61005X
A68	Bushing (bronze)	TH700 (stator support front sm)	1	82-84	8628915	32006
A68	Bushing (bronze)	TH700 (stator support front lg)	1	84-10	8647954	35007A
A69	Bushing (bronze)(narrow)	TH700 (stator shaft rear)	1	82-92	8642904	61003
A69	Bushing (bronze)(wide)	TH700/4L60E/65E (stator shaft rear)	1	92-10	8682887	61003A

TH700-R4•700-R4•4L60•4L60E•4L65E•4L70E•4L75E

TH700-R4•4L60•E•65E•70E•75E

ILL	DESCRIPTION	QTY	YEAR	REFERENCE #	PART #
BUSHINGS (CONTINUED)					
B70	Bushing (bronze) TH700/4L60E/65E (reverse drum front)	1	82-10	8642905	61006
B71	Bushing 1.886" od 47.64mm TH700/4L60E/65E (reverse drum rear)	1	82-10	8628917	32001
E72	Bushing input sun gear front and rear	2	82-10	8642906	61008
E73	Bushing TH700/4L60E/65E (reaction shaft front)	1	82-10	8642908	61009
E74	Bushing TH700/4L60E/65E (reaction shaft rear)	1	82-10	8642907	61010
E75	Bushing TH700/4L60E/65E (reaction sun gear)	1	82-10	8642909	61011
E75	Bushing (wide) TH700/4L60E/65E (reaction sun gear)	1	82-10	8642909W	61011A
G76	Bushing TH700/4L60E/65E (case)	1	82-10	8641118	35012
G77	Bushing (babbitt) 1.626" od TH700/4L60E/65E (extension housing)	1	82-10	6260048	8008A
G77	Bushing (bronze w/dimples) TH700/4L60E/65E (extension housing)	1	82-10	6260048	8008
n/i	Bushing (not in kit) TH700 (governor bore use tool T-107)	1	82-92	30104A	30104A
WASHERS/BEARINGS/RACES/SHIMS					
K12	Kit, thrust bearing TH700-R4/4L60E	1	82-03	AE	K61906
K14	Kit, thrust washer TH700-R4/4L60E (w/popular selectives)	1	82-03	AE	K61907
K14	Kit, washer front and rear planetary	1	82-10	AE	K61441
K14	Kit, washer .025" (batwing type) front and rear planetary	1	82-10	AE	K61442
K14	Kit, washer .030" (batwing type) front and rear planetary	1	82-10	AE	K61443
A82	Thrust washer pump stator to rev drum	1	82-10	12338134	61401
C83	Washer .074"-.078" 1.87-1.97mm (#67) input hsg to thrust brg	sel	82-10	8642067	61400
C83	Washer .080"-.084" 2.04-2.14mm (#68) input hsg to thrust brg	sel	82-10	8642068	61400A
C83	Washer .087"-.091" 2.21-2.31mm (#69) input hsg to thrust brg	sel	82-10	8642069	61400B
C83	Washer .094"-.098" 2.38-2.48mm (#70) input hsg to thrust brg	sel	82-10	8642070	61400C
C83	Washer .101"-.105" 2.55-2.65mm (#71) input hsg to thrust brg	sel	82-10	8642071	61400D
C83	Washer .107"-.111" 2.72-2.82mm (#72) input hsg to thrust brg	sel	82-10	8642072	61400E
C83	Washer .114"-.118" 2.89-2.99mm (#73) input hsg to thrust brg	sel	82-10	8642073	61400F
C83	Washer .121"-.125" 3.06-3.16mm (#74) input hsg to thrust brg	sel	82-10	8642074	61400G
D84	Thrust washer (plastic) 2 tabs TH700-R4 (front planetary to outer race)	1	82-86	8647095	61402A
E85	Thrust washer (metal) 4 tabs drive shell to reaction shaft	1	82-04	8642202	61403
E85	Bearing, thrust 73.7mm id 91mm od 4L65E (drive shell to reaction shaft)	1	01-10	24217328	61403B
E86	Thrust washer (plastic) 4 tabs TH700-R4/4L60E (inner race to drive shell)	1	82-10	8642331	35406A
E86	Thrust washer (plastic) 4 round tabs inner race to beast drive shell	1	82-10	n/a	61406A
G87	Washer servo apply pin to return spring	1	82-10	8642107	61405
C89	Bearing, thrust stator shaft to sel washer	1	82-10	8642066	61466
D90	Bearing, thrust input housing to sun gear	1	82-10	8642162	61462
E92	Bearing, thrust input carrier to reaction shaft	1	82-06	8642191	61491
E92	TB (thicker w/lip on outer diameter) 4L60E/65 (input carrier to reaction shaft)	1	07-10	24236092	61491A
F93	Bearing, thrust rear planetary to ring gear hub	1	82-10	8642215	61415
F94	Bearing, thrust rear ring gear hub to case	1	82-10	8642191	61491
PUMP PARTS AND PUMPS					
K10	NoYoYo® pump ring kit TH700-R4/4L60E/65E (up to 5500 RPM)	1	82-10	700-PK™	K32804
K10	NoYoYo® pump ring kit high rev 5500 and over	1	82-10	700-PKH™	K32804H
K10	Pump ring kit TH700-R4	1	82-92	K77877	S32804
K10	Pump ring kit 4L60E/65E/70E	1	93-10	K77878	S61804
K38	Kit, pump respring TH700-R4	1	82-92	M170713K	61972
K43	Kit, rotor slide, guide (10 vanes) TH700-R4	1	82-97	AE	K32800A
K43	Kit, rotor slide, guide (13 vanes) 4L60E/65E/70E	1	97-10	AE	K32800B
K43	Kit, vane and ring (10 vanes) TH700-R4/4L60E	1	82-97	8631280	K32801A
K43	Kit, vane and ring (13 vanes) 4L60E/65E/70E	1	97-10	n/a	K32801B
A98	Valve, pressure regulator TH700-R4	1	82-92	8637546	61964
A99	Pump assembly TH700-R4 (w/27 splines input shaft)	1	82-84	AE	61200-R
A99	Pump assembly (non/aux) TH700-R4 (w/30 splines input shaft)	1	84-87	AE	61200B-R
A99	Pump assembly (aux) TH700-R4 (VB pipe hole w/30 spl input)	1	87-92	AE	61200E-R
A99	Pump assembly (non/PWM) 4L60E	1	93-95	AE	61200F-R

TH700-R4•700-R4•4L60•4L60E•4L65E•4L70E•4L75E

TH700-R4•4L60•E•65E•70E•75E

ILL	DESCRIPTION	QTY	YEAR	REFERENCE #	PART #	
PUMP PARTS AND PUMPS (CONTINUED)						
A99	Pump assembly (PWM)	4L60E	1	95-99	AE	61200G-R
A99	Pump assembly (13 vane)	4L60E (w/bolt on bell housing)	1	98-02	AE	61200J-R
A99	Pump assembly (13 vane)	4L60E (w/1/4" longer stator shaft)	1	98-02	AE	61200H-R
A99	Pump assembly (LCS .090" from edge)	4L60E (w/1/4" longer stator shaft)	1	02-04	AE	61200K-R
A99	Pump assembly (LCS .090" from edge)	4L60E	1	02-04	AE	61200L-R
A99	Pump assembly (molded seal type)	4L60E (w/1/4" longer stator shaft)	1	04-06	AE	61200M-R
A99	Pump assembly (molded seal type)	4L60E/65E	1	04-06	AE	61200N-R
A99	Pump assy (molded seal type)(ISS type)	4L60E/65E/70E (w/1/4" longer stator shaft)	1	05-10	AE	61200P-R
A99	Pump assy (molded seal type)(ISS type)	4L60E/65E/70E (reluctor on input shaft)	1	05-10	AE	61200Q-R
A101	Shaft, stator	TH700/4L60E/65E	1	82-05	77918S-K	61969A
A101	Shaft, stator	4L60E/65E (300mm converter 1/4" longer)	1	98-05	SON-77918S-1K	61969B
A101	Shaft, stator (ISS type)	300mm convt 1/4" longer 7.300" ol	1	05-10	700-472DN	61969C
A101	Shaft, stator (ISS type)	4L60E/65E/70E 6.830" ol	1	07-10	700-472EN	61969D
A102	Slide, pump .709"-.710"	TH700-R4/4L60E/65E/70E	1	82-10	8634083	32803
E103	Vane, pump	TH700-R4/4L60E/65E/70E	7/13	82-10	8631280	32800
A104	Ring, pump vane (solid)	cast iron	2	82-10	8634086	32322
A104	Ring, pump vane (solid)	harden steel	2	82-10	8634086SP	32322SP
A105	Rotor, pump (10 vane)	TH700-R4/4L60E	1	87-97	8654389	32802A
A105	Rotor, pump (13 vane)	4L60E/65E/70E	1	97-10	24205400	32802B
A107	Ring, sealing (solid)(not in kit)	TH700-R4/4L60E/65E/70E	1	82-10	8634079	32320
A109	Guide, rotor (7 vane type)	TH700-R4	1	82-86	8654733	32422
A109	Guide, rotor (10 vane type)	TH700-R4/4L60E	1	87-97	8654734	32422A
A109	Guide, rotor (13 vane type)	4L60E/65E/70E	1	97-10	24205410	32422B
A119	Retainer, seal	TH700-R4/4L60E/65E/70E	1	82-10	8654491	61991
n/i	Spring, pressure regulator	TH700-R4 (diesel)(1.75" long)(pink)	1	82-92	8642751	61965A
n/i	Spring, pressure regulator	TH700-R4 (gas)(1.98" long)(white)	1	82-92	8642494	61965
n/i	Spring, outer pump slide (plain)	TH700-R4/4L60E/65E/70E	1	82-10	M70713P	61701
n/i	Spring, inner pump slide (orange)	TH700-R4/4L60E/65E/70E	1	82-10	M70713R	61702
HARD PARTS						
B112	Drum, reverse (sm hole)	TH700-R4 (metal piston)	1	82-86	8690907	61923
B112	Drum, reverse (sm hole)	TH700-R4 (metal piston)	1	82-86	8690907	61923-R
B112	Drum, reverse (lg hole)	TH700-R4/4L60E/65E (alum piston)	1	87-10	8663068	D61923A
B112	Drum, reverse (lg hole)	TH700-R4/4L60E/65E (alum piston)	1	87-10	8663068	61923A
B112	Drum, reverse (lg hole)	TH700-R4/4L60E/65E (alum piston)	1	87-10	8663068	61923A-R
C114	Capsule, w/ball	TH700-R4/4L60E/65E (input shaft)	1	82-10	8647037	61926
C115	Housing, input w/shaft	TH700-R4 (27 spl V/8)	1	82-84	8647963	61971-R
C115	Housing, input w/shaft 27 splines	2.5/2.8L (O'ring behind splines)	1	82-84	8647965	61971A-R
C115	Housing, input w/shaft (non/aux)	TH700-R4 (27 spl 2.5/2.8L 4 cyl/V6)	1	84-87	8657902	61971C-R
C115	Housing, input w/shaft (non/aux)	TH700-R4 (30 spl V8)	1	85-87	8654156	61971B-R
C115	Housing, input w/shaft 27 splines	2.5/2.8L 4 cyl/V6)(O'ring behind splines)	1	87-92	8654753	61971D-R
C115	Housing, input w/shaft (aux)	TH700-R4 (30 spl 4.3L/V6 V8)	1	87-92	8677034	61971F-R
C115	Housing, input w/shaft	4L60E (4 cyl 3.4L/3.8L V6)	1	95-02	24200902	61971G-R
C115	Housing, input w/shaft	4L60E (V6-V8)	1	95-05	24200901	61971H
C115	Housing, input w/shaft	4L60E (V6-V8)	1	95-05	24200901	61971H-R
C115	Housing, input w/shaft (1/4" longer)	4L60E/65E (w/300mm converter)	1	98-05	17803687	D61971J
C115	Housing, input w/shaft (1/4" longer)	4L60E/65E (w/300mm converter)	1	98-05	24209840	61971J
C115	Housing, input w/shaft (1/4" longer)	4L60E/65E (w/300mm converter)	1	98-05	24209840	61971J-R
C115	Housing, input w/shaft (w/reluctor)	w/300mm conv (rings .190" closer to drum)	1	05-07	24230653	61971K
C115	Housing, input w/shaft (w/reluctor)	w/300mm conv (rings .190" closer to drum)	1	05-07	24230653	61971K-R
C115	Housing, input w/shaft (w/o reluctor)	w/300mm conv (rings .190" closer to drum)	1	05-06	AE	61971L
C115	Housing, input w/shaft (w/o reluctor)	w/300mm conv (rings .190" closer to drum)	1	05-06	AE	61971L-R
C118	Piston, forward	TH700-R4	1	82-92	8654326	61941-R
C118	Piston, forward	4L60E	1	93-96	24201472	61941A-R

TH700-R4•700-R4•4L60•4L60E•4L65E•4L70E•4L75E

TH700-R4•4L60•E•65E•70E•75E

ILL	DESCRIPTION	QTY	YEAR	REFERENCE #	PART #
HARD PARTS (CONTINUED)					
C120	Retainer w/springs, overrun clutch	1	82-96	8642153	61953-R
C120	Retainer w/springs, overrun clutch	1	97-10	24206085	61953A-R
E121	Planetary, front	1	82-10	8654134	61982
E121	Planetary, front (spec w or w/o holes)	1	82-10	8654329	61982-R
E121	Planetary, front (5 pinions)	1	03-10	24243874	61982A
E125	Gear, sun 1.995" height	1	82-98	8647093	61993-R
E125	Gear, sun (w/groove for tabs)	1	99-10	n/a	61993A-R
E126	Gear, sun	1	82-10	8642204	61997
E126	Gear, sun	1	82-10	8642204	61997-R
E128	Gear, ring 1 3/8" outer spline	1	82-10	8663639	61994-R
E129	Shaft, reaction	1	82-06	8654259	61996-R
E129	Shaft, reaction	1	03-06	24217157	61996A
E129	Shaft, reaction	1	03-06	24217157	61996A-R
E129	Shaft, reaction	1	07-10	24241255	61996B
E131	Shell, drive	1	82-10	8663641	D61903
E131	Shell, drive	1	82-10	8663641	61903
E131	Shell, drive	1	82-10	8663641	61903-R
E131	Shell, drive	1	03-10	24217145	61903A
E131	Shell, drive	1	03-10	24217145	61903A-R
E131	Shell, drive (the beast)	1	82-10	42298B	61903H
F135	Piston, low/reverse	1	82-86	n/a	61922-R
F135	Piston, low/reverse	1	82-86	n/a	61921-R
F135	Piston, low/reverse	1	93-10	8685549	61920-R
F136	Support, low/rev clutch	1	82-85	8647411	35727-R
F136	Support, low/rev clutch (wide)	1	85-10	8673544	K61955-R
F136	Support, case repair (heavy duty)	1	82-10	K77701S	K35995
F137	Planetary, rear	1	82-10	24241240	D61730
F137	Planetary, rear	1	82-10	8654132	61730
F137	Planetary, rear	1	82-10	8654200	61730-R
F137	Planetary, rear (heavy duty)	1	03-10	24227591	61730A
F137	Planetary, rear (heavy duty)	1	03-10	24227591	61730A-R
F138	Gear, ring	1	82-84	8667055	61916-R
F138	Gear, ring (hardened)	1	82-10	8667055	61916A-R
F139	Hub (rear ring gear)	1	82-10	8681491	61918
F139	Hub (rear ring gear)	1	82-10	8681491	61918-R
B140	Retainer w/springs	1	82-10	8647284	61984-R
F141	Retainer w/springs	1	82-10	8642227	61927-R
F143	Spring, anti clunk	1	82-10	6261415	61915-R
F144	Race, low/reverse sprag (inner)	1	82-10	8643300	35530-R
G148	Pin, apply 5.065" (2 rings)	1	82-10	8680500	61957
G148	Pin, apply 5.015" (1 ring)	1	82-10	8680499	61957A
G148	Pin, apply 5.120" (no ring)	1	82-10	8680501	61957B
G148	Pin, apply extra long	1	82-11	APC-057301	61957C
G148	Pin, extendo-pin .150" (2-4 servo)	1	82-10	77605E	61957E
G148	Pin, extendo-pin .289" (2-4 servo)	1	82-10	77605G	61957F
G149	Kit, governor gear	1	82-92	8642928	K61411
G150	Governor assembly	1	82-92	8642731	61931
G150	Governor assembly	1	82-92	8642729	61931A
G150	Governor assembly	1	82-92	8642730	61931B
G151	Clip, governor cover	1	82-92	6260040	61956-R
G152	Clip, speedo (5/16" thin long)	1	82-92	8626089	35226
G154	Vent tube (plastic)	1	82-92	8633408	96-189
G156	Spring (purple)	1	82-06	8634163	61706

TH700-R4•700-R4•4L60•4L60E•4L65E•4L70E•4L75E

TH700-R4•4L60•E•65E•70E•75E

ILL	DESCRIPTION	QTY	YEAR	REFERENCE #	PART #
HARD PARTS (CONTINUED)					
G156	Spring (white)			TH700-R4/4L60E (1-2/3-4 accumulator)	1 82-06 8654183 61706A
G156	Spring (green)			TH700-R4/4L60E (1-2/3-4 accumulator)	1 82-06 8654554 61706B
G156	Spring (red)			3-4 accumulator	1 82-06 8634703 61706C
G156	Spring (plain)			1-2/3-4 acc (replaces orange w/o taper)	1 87-06 8673387 61706D
G156	Spring (orange w/taper)			TH700-R4/4L60E	1 87-06 8663385 61706E
G157	Sleeve, output (long)			TH700-R4/4L60E	1 87-06 8654063 61930A
G157	Sleeve, output (short)			TH700-R4/4L60E	1 87-06 6261062 61930-R
G160	Piston, (w/seal)(lg pin)			TH700-R4/4L60E/65E (1-2/3-4 acc)	1/2 82-06 K79878 K61985
G160	Piston, (small pin)			4L60E (1-2 accumulator)	1 93-06 79879-1 61985A
G160	Piston			4L65E (1-2 accumulator)	1 03-06 4L65-ZACUS 61985B
G160	Piston, (aluminum)			4L60E (forward accumulator)	1 93-10 24200126 61983
G164	Valve body spacer plate (stamped S)			TH700-R4 (obsolete)	1 82-86 8654483 8654483
G164	Valve body spacer plate (stamped A/R)			TH700-R4	1 82-86 8654481 8654481
G164	Valve body spacer plate (stamped P)			TH700-R4	1 82-86 8654482 8654482
G164	Valve body spacer plate (stamped T)			TH700-R4	1 84-86 8654484 8654484
G164	Valve body spacer plate (stamped AD)			TH700-R4 (obsolete)	1 87-88 8663587 8663587
G164	Valve body spacer plate (stamped AF)			TH700-R4 (obsolete)	1 87-88 8663589 8663589
G164	Valve body spacer plate (stamped AH)			TH700-R4 (obsolete)	1 87-88 8663591 8663591
G164	Valve body spacer plate (stamped AM)			TH700-R4	1 87-88 8663595 8663595
G164	Valve body spacer plate (stamped ZH)			TH700-R4	1 88-88 8667225 8667225
G164	Valve body spacer plate (stamped ZD)			TH700-R4	1 88-88 8667229 8667229
G164	Valve body spacer plate (stamped ZF)			TH700-R4	1 88-88 8667230 8667230
G164	Valve body spacer plate (stamped ZM)			TH700-R4 (obsolete)	1 88-88 8667231 8667231
G164	Valve body spacer plate (stamped BD)			TH700-R4	1 88-88 8667355 8667355
G164	Valve body spacer plate (stamped BF)			TH700-R4	1 88-88 8667356 8667356
G164	Valve body spacer plate (stamped BM)			TH700-R4	1 88-88 8667357 8667357
G164	Valve body spacer plate (stamped BU)			TH700-R4 (obsolete)	1 88-89 8667475 8667475
G164	Valve body spacer plate (stamped BK)			TH700-R4 (obsolete)	1 88-88 8673110 8673110
G164	Valve body spacer plate (stamped BP)			TH700-R4	1 89-89 8673137 8673137
G164	Valve body spacer plate (stamped BY)			TH700-R4	1 89-89 8673138 8673138
G164	Valve body spacer plate (stamped BV)			TH700-R4	1 89-89 8673139 8673139
G164	Valve body spacer plate (improved)			TH700-R4 (non-aux and aux)	1 82-93 700-P 61749
G164	Valve body spacer plate (improved)			4L60E (w/o PWM)	1 93-94 46-PLT-94 61750
G164	Valve body spacer plate (improved)			4L60E (1st design PWM)	1 95-95 46-PLT-95 61751
G164	Valve body spacer plate (improved)			4L60E (2nd design PWM)	1 96-06 46-PLT-96 61752
G164	Valve body spacer plate			with V/8 engine bonded plate	1 06-10 B10102 61753
G164	Valve body spacer plate			Corvette only	1 05-05 46-PLT-05V 61754
G164	Valve body spacer plate			except Hybrid	1 07-10 46-PLT-07 61755
G164	Valve body spacer plate			4L60E	1 09-10 46-PLT-09 61756
G164	Valve body spacer plate (stamped GJ)			4L60E (obsolete)	1 93-93 8681278 8681278
G164	Valve body spacer plate			4L60E (obsolete)	1 93-93 8682261 8682261
G164	Valve body spacer plate (stamped JV)			4L60E	1 93-93 8684122 8684122
G164	Valve body spacer plate (stamped JW)			4L60E	1 93-93 8684123 8684123
G164	Valve body spacer plate (stamped JX)			4L60E (obsolete)	1 93-93 8684124 8684124
G164	Valve body spacer plate (stamped JY)			4L60E	1 93-93 8684125 8684125
G164	Valve body spacer plate (stamped JZ)			4L60E (obsolete)	1 93-93 8684126 8684126
G164	Valve body spacer plate (stamped KO)			4L60E	1 94-94 8686011 8686011
G164	Valve body spacer plate (stamped KP)			4L60E	1 94-94 8686012 8686012
G164	Valve body spacer plate (stamped KS)			4L60E	1 94-94 8686013 8686013
G164	Valve body spacer plate (stamped KT)			4L60E	1 94-94 8686037 8686037
G164	Valve body spacer plate (stamped KU)			4L60E	1 94-94 8686038 8686038
G164	Valve body spacer plate (stamped KV)			4L60E	1 94-94 8686039 8686039
G164	Valve body spacer plate (stamped KW)			4L60E	1 94-94 8686040 8686040

TH700-R4•700-R4•4L60•4L60E•4L65E•4L70E•4L75E

TH700-R4•4L60•E•65E•70E•75E

ILL	DESCRIPTION	QTY	YEAR	REFERENCE #	PART #
HARD PARTS (CONTINUED)					
G164	Valve body spacer plate (stamped KX) 4L60E (obsolete)	1	94-94	8686041	8686041
G164	Valve body spacer plate (stamped KY) 4L60E	1	94-94	8686042	8686042
G164	Valve body spacer plate (stamped KZ) 4L60E	1	94-94	8686043	8686043
G164	Valve body spacer plate (stamped LA) 4L60E	1	94-94	8686044	8686044
G164	Valve body spacer plate (stamped LB) 4L60E	1	94-94	8686045	8686045
G164	Valve body spacer plate (stamped LC) 4L60E	1	94-94	24200361	24200361
G164	Valve body spacer plate (stamped LD) 4L60E	1	94-94	24200608	24200608
G164	Valve body spacer plate (stamped LE) 4L60E	1	94-94	24200609	24200609
G164	Valve body spacer plate (stamped LL) 4L60E (obsolete)	1	94-94	24201477	24201477
G164	Valve body spacer plate (stamped LM) 4L60E (obsolete)	1	94-94	24201478	24201478
G164	Valve body spacer plate (stamped LN) 4L60E	1	94-94	24201479	24201479
G164	Valve body spacer plate (stamped LO) 4L60E (obsolete)	1	94-94	24201480	24201480
G164	Valve body spacer plate (stamped KA) 4L60E	1	94-94	24202371	24202371
G164	Valve body spacer plate (stamped KB) 4L60E (obsolete)	1	94-94	24202372	24202372
G164	Valve body spacer plate (stamped MP) 4L60E	1	95-95	24201484	24201484
G164	Valve body spacer plate (stamped MS) 4L60E	1	95-95	24201485	24201485
G164	Valve body spacer plate (stamped MT) 4L60E	1	95-95	24201486	24201486
G164	Valve body spacer plate (stamped MU) 4L60E	1	95-95	24201487	24201487
G164	Valve body spacer plate (stamped MV) 4L60E	1	95-95	24201488	24201488
G164	Valve body spacer plate (stamped MW) 4L60E	1	95-95	24201489	24201489
G164	Valve body spacer plate (stamped MX) 4L60E	1	95-95	24201490	24201490
G164	Valve body spacer plate (stamped MY) 4L60E	1	95-95	24201491	24201491
G164	Valve body spacer plate (stamped MZ) 4L60E	1	95-95	24201492	24201492
G164	Valve body spacer plate (stamped NA) 4L60E	1	95-95	24201493	24201493
G164	Valve body spacer plate (stamped NB) 4L60E	1	95-95	24201494	24201494
G164	Valve body spacer plate (stamped NC) 4L60E	1	95-95	24202313	24202313
G164	Valve body spacer plate (stamped ND) 4L60E	1	95-95	24202314	24202314
G164	Valve body spacer plate (stamped NE) 4L60E	1	95-95	24202813	24202813
G164	Valve body spacer plate (stamped NG) 4L60E	1	95-95	24203084	24203084
G164	Valve body spacer plate (stamped PG) 4L60E	1	96-99	24203283	24203283
G164	Valve body spacer plate (stamped NH) 4L60E	1	95-95	24203918	24203918
G164	Valve body spacer plate (stamped PW) 4L60E	1	96-96	24203946	24203946
G164	Valve body spacer plate (stamped PL) 4L60E	1	96-96	24203947	24203947
G164	Valve body spacer plate (stamped PM) 4L60E	1	96-96	24203948	24203948
G164	Valve body spacer plate (stamped PN) 4L60E	1	96-96	24203949	24203949
G164	Valve body spacer plate (stamped PC) 4L60E	1	96-99	24221136	24221136
G164	Valve body spacer plate (stamped PP) 4L60E	1	96-96	24203950	24203950
G164	Valve body spacer plate (stamped PS) 4L60E	1	96-00	24203951	24203951
G164	Valve body spacer plate (stamped PA) 4L60E	1	96-99	24203222	24204435
G164	Valve body spacer plate (stamped PT) 4L60E	1	96-96	24203952	24203952
G164	Valve body spacer plate (stamped PU) 4L60E	1	96-00	24203953	24203953
G164	Valve body spacer plate (stamped PD) 4L60E	1	96-99	24203225	24203225
G164	Valve body spacer plate (stamped PY) 4L60E	1	96-97	24204438	24204438
G164	Valve body spacer plate (stamped SC) 4L60E	1	96-00	24205978	24205978
G164	Valve body spacer plate (stamped SD) 4L60E	1	96-99	24205979	24205979
G164	Valve body spacer plate (stamped PZ) 4L60E	1	96-97	24207492	24207492
G164	Valve body spacer plate (stamped SE) 4L60E	1	97-00	24207864	24207864
G164	Valve body spacer plate (stamped TC) 4L60E	1	99-00	24210523	24210523
G164	Valve body spacer plate (stamped TB) 4L60E	1	98-00	24210565	24210565
G164	Valve body spacer plate (stamped IPA) 4L60E	1	01-03	24218156	24218156
G164	Valve body spacer plate (stamped IPC) 4L60E	1	01-01	24218157	24218157
G164	Valve body spacer plate (stamped IPG) 4L60E	1	01-06	24218158	24218158
G164	Valve body spacer plate (stamped ISE) 4L60E	1	01-02	24218159	24218159

TH700-R4•700-R4•4L60•4L60E•4L65E•4L70E•4L75E

TH700-R4•4L60•E•65E•70E•75E

ILL	DESCRIPTION	QTY	YEAR	REFERENCE #	PART #
HARD PARTS (CONTINUED)					
G164	Valve body spacer plate (stamped IPS) 4L60E	1	01-02	24218160	24218160
G164	Valve body spacer plate (stamped IPU) 4L60E/65E	1	01-06	24218161	24218161
G164	Valve body spacer plate (stamped ITA) 4L60E	1	01-10	24218162	24218162
G164	Valve body spacer plate (stamped ITC) 4L60E	1	01-07	24218163	24218163
G164	Valve body spacer plate (stamped ITJ) 4L60E	1	02-07	24220200	24220200
G164	Valve body spacer plate (stamped TM) 4L60E	1	04-07	24220980	24220980
G164	Valve body spacer plate (stamped PA/PX) 4L60E	1	96-99	224221135	24221135
G164	Valve body spacer plate (stamped TA) 4L60E	1	98-00	24221141	24221141
G164	Valve body spacer plate (stamped IPC) 4L60E	1	02-04	24221142	24221142
G164	Valve body spacer plate (stamped TP) 4L60E	1	05-10	24230162	24230162
G164	Valve body spacer plate (stamped PM) 4L60E	1	06-10	24230163	24230163
G164	Valve body spacer plate (stamped TT) 4L60E	1	06-10	24233900	24233900
G164	Valve body spacer plate (stamped PH) 4L60E	1	07-10	24235177	24235177
G164	Valve body spacer plate (stamped 2SL) 4L60E	1	09-10	24238166	24238166
G164	Valve body spacer plate 4L60E/65E	1	05-10	24223421	24223421
G164	Valve body spacer plate (stamped 2SK) 4L60E	1	09-10	24238223	24238223
G164	Valve body spacer plate (stamped PO) 4L60E	1	07-10	24238646	24238646
G164	Valve body spacer plate (stamped TB) 4L60E	1	08-10	24239053	24239053
G164	Valve body spacer plate (stamped PV) 4L60E	1	08-10	24240307	24240307
G164	Valve body spacer plate (stamped IHV) 4L60E (w/bonded gaskets)	1	08-10	24241778	24241778
G164	Valve body spacer plate (stamped IHO) 4L60E (w/bonded gaskets)	1	08-10	24241779	24241779
G164	Valve body spacer plate (stamped IHH) 4L60E (w/bonded gaskets)	1	07-10	24241780	24241780
G164	Valve body spacer plate (stamped IHP) 4L60E (w/bonded gaskets)	1	07-10	24241781	24241781
G164	Valve body spacer plate (stamped IHJ) 4L60E (w/bonded gaskets)	1	07-07	24241782	24241782
G164	Valve body spacer plate (stamped IHC) 4L60E (w/bonded gaskets)	1	07-07	24241783	24241783
G164	Valve body spacer plate (stamped IHA) 4L60E (w/bonded gaskets)	1	07-10	24241784	24241784
G164	Valve body spacer plate (stamped IHA) 4L60E (w/bonded gaskets)	1	07-10	24241785	24241785
G164	Valve body spacer plate (stamped IHT) 4L60E (w/bonded gaskets)	1	07-07	24241786	24241786
G164	Valve body spacer plate (stamped IHM) 4L60E (w/bonded gaskets)	1	08-10	24243215	24243215
G164	Valve body spacer plate (stamped IHK) 4L60E (w/bonded gaskets)	1	08-10	24243216	24243216
G164	Valve body spacer plate (stamped 2SY) 4L60E (w/bonded gaskets)	1	09-10	24245346	24245346
G164	Valve body spacer plate (stamped 2SS) 4L60E (w/bonded gaskets)	1	09-10	24245348	24245348
n/i	Wire, manual link TH700-R4 (2nd design)	1	82-92	8654113	61935-R
n/i	Filler tube repair TH700-R4/4L60E/65E/70E	1	82-10	M99100A	96-140A
n/i	Wire, manual link 4L60E	1	93-10	8680731	61935A
n/i	Kit, converter clutch throttle valve TH700-R4 (lock-up in 4th only)	1	82-92	8642970	61970
n/i	Valve, converter clutch shift TH700-R4	1	82-92	M70712	61970A
n/i	Kit, hydraulic lockup TH700-R4 (lock-up and 3-4 shift timing)	1	82-92	700-LU Kit	K61970
n/i	Kit, converter clutch lock-up TH700-R4 (offers 5 lock-up speed choices)	1	82-92	K-017	S61970
n/i	Spring (silver) TH700-R4 (throttle valve)	ar	82-92	MF701	6242CS
n/i	Spring (heavy duty) TH700-R4 (throttle valve)	1	82-92	75909SA	6242HD
n/i	Tube/check ball assembly TH700-R4 (bullet 3-4 accumulator)	1	82-10	8634400	61978
n/i	Wire, throttle lever/cable TH700-R4	1	82-92	8642290	61958
n/i	Kit, servo piston Corvette	1	82-10	K79895	K61986
n/i	Super servo (largest apply area available) TH700-R4 (quicker 4-3 dn shift/firmer 1-2)	1	82-06	K-012	S61986
n/i	Spring, servo apply TH700-R4/4L60E (2-4 band pin)	1	82-10	K-004	61703
n/i	Spring, load release TH700-R4/4L60E (3-4 helper spring)	5	87-10	8667424	61705
n/i	Spring, load release replacement TH700-R4/4L60E (individual springs)	1	87-10	AE	61707
n/i	Kit, boost valve and sleeve .500" od 4L60E (gives up to 236 psi forward)	1	93-04	4L60E-Boost	K61988H
n/i	Kit, boost valve and sleeve .472" od fits both early long and late short style	1	93-10	4L60E-Boost-472	K61988A
n/i	Kit, GM/SRTA lock-up upgrade (oversized) 4L60E	1	93-04	4L6-ISO-3	K61912
n/i	Plate, accumulator repair TH700-R4	1	82-92	77754HD	61904
n/i	Capsule, TCC orifice feed (qty 5) 4L60E	1	96-06	77831	096-004

TH700-R4•700-R4•4L60•4L60E•4L65E•4L70E•4L75E

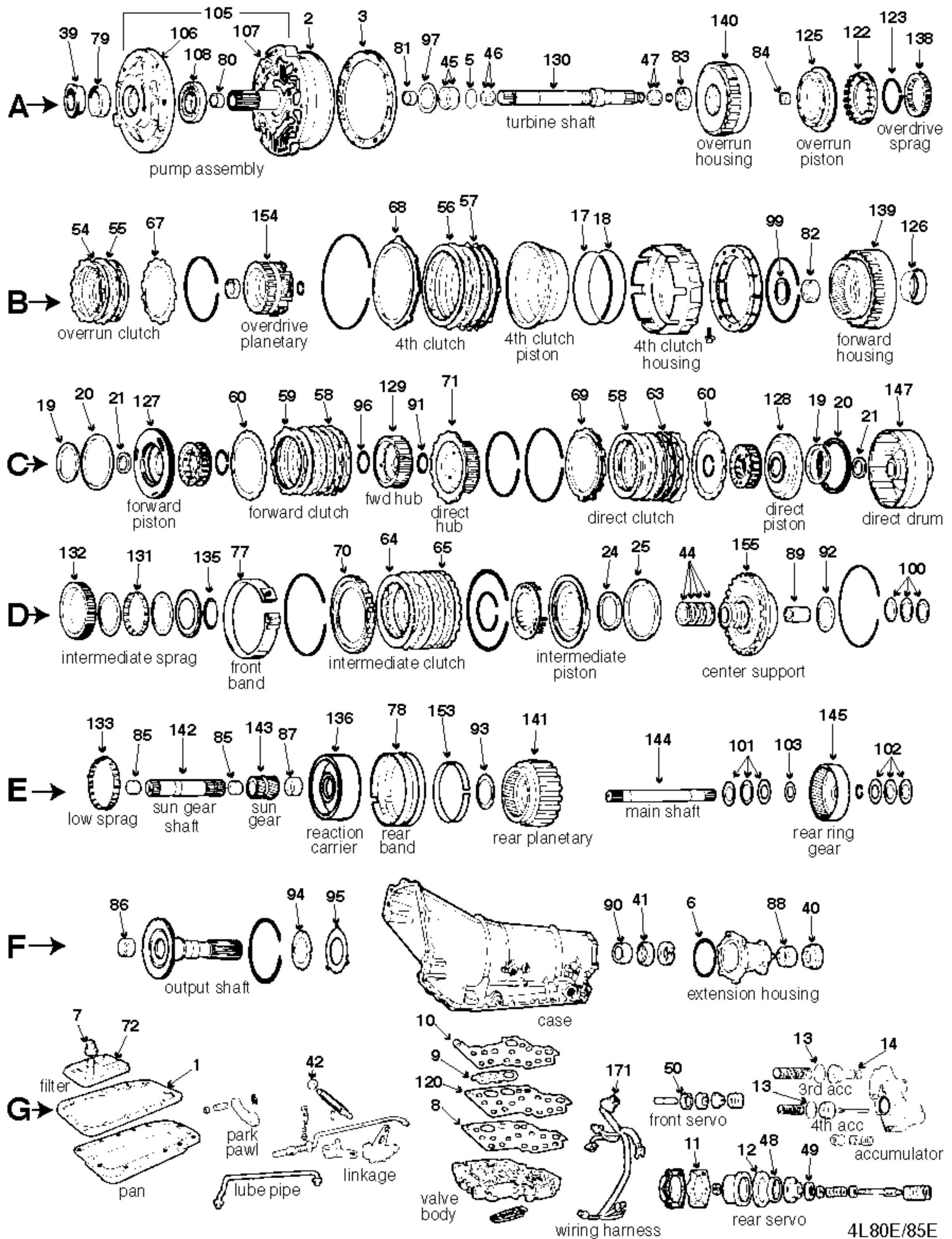
TH700-R4•4L60•E•65E•70E•75E

ILL	DESCRIPTION	QTY	YEAR	REFERENCE #	PART #
HARD PARTS (CONTINUED)					
n/i	Yoke, seal (fixes leaky drive shaft yoke)	1	82-10	35746YS	96-107
n/i	Capsule, reverse piston	1	87-10	77761C	96-401
n/i	Case (w/neutral switch/cable bracket)	1	93-98	24212401	61917
n/i	Case (w/neutral switch/cable bracket)	1	95-97	24212157	61917A
n/i	Case (4.3 V/6)	1	93-96	24212151	61917B
n/i	Capsule, w/ball-low/reverse	1	87-10	8663890	8663890
n/i	Bolt, bell housing (torx)	8	98-10	24203265	24203265
n/i	Clip, cooler line retaining	2	93-10	24205103	61704
n/i	Fitting, cooler line 1/4"-18 ext	2	06-06	24205102	24205102
n/i	Fitting, cooler line 1/4"-18x25.4mm long	2	05-05	24233366	24233366
n/i	Bracket, force motor update	1	93-10	8684217	8684217
n/i	Housing, adapter (4x4)	1	96-06	15005474	61998
n/i	Housing, adapter (4x4)	1	96-06	15724744	61999
n/i	Housing, adapter (4x4)	1	96-06	15726252	61992
n/i	Housing, adapter (4x4)	1	97-06	15963697	61990
n/i	Housing, adapter (4x4)	1	06-10	24231140	61998A
ELECTRICAL COMPONENTS					
G167	Solenoid, TCC w/internal harness	1	82-92	8654121	5A-131
G167	Solenoid, TCC w/internal harness	1	82-92	8654122	5A-132
G167	Solenoid, TCC w/internal harness	1	82-92	8654123	5A-133
G167	Solenoid, TCC w/internal harness	1	82-92	8654124	5A-134
G167	Solenoid, TCC w/internal harness	1	82-92	8654125	5A-135
G167	Solenoid, TCC w/internal harness	1	86-90	8654126	5A-136
G167	Solenoid, TCC w/internal harness	1	83-92	8654127	5A-137
G167	Solenoid, TCC w/internal harness	1	82-92	8654128	5A-138
G167	Solenoid, TCC w/internal harness	1	83-91	8654129	5A-139
G167	Solenoid, TCC w/internal harness	1	82-88	8654130	5A-140
G167	Solenoid, TCC w/internal harness	1	87-92	8654415	5A-141
G167	Solenoid, TCC w/internal harness	1	88-88	8667706	5A-147
G167	Solenoid, TCC w/internal harness	1	89-91	10478100	5A-148
G167	Solenoid, TCC w/internal harness	1	89-91	10478101	5A-149
G167	Solenoid (w/diode posi-lock connectors)	1	82-10	K-77929U	5A-144
G167	Solenoid, TCC (universal lock-up)	1	82-10	52-0203	5A-145
G168	Connector, electrical (3 terminal square)	1	82-92	12015026	25A-103
G168	Connector, electrical (4 terminal square)	1	82-92	12015027	25A-104
n/i	Switch, pressure (2 terminals)	1	82-86	8643710	15A-111
n/i	Switch, pressure (1 terminal)	1	82-92	8683502	15A-112
n/i	Switch, pressure (1 terminal n.o.)	1	82-92	8642473	15A-118
n/i	Switch, 4/3 pulse (2 terminals n.c.)	1	82-92	8642346	15A-119
n/i	Switch, temperature	1	87-92	25037142	15A-121
n/i	Switch, pressure (non-grounding)	1	82-92	15A-133	15A-133
n/i	Solenoid, master kit	1	93-95	MS-4L60E	25A-001
n/i	Solenoid, master kit	1	96-02	MS-4L60E-96	25A-001A
n/i	Solenoid	2	93-10	10478131	5A-390
n/i	Solenoid	1	96-06	24209121	5A-392A
n/i	Solenoid (PWM)	1/2	93-06	24227792	5A-393
n/i	Solenoid	1	93-02	24220158	5A-400
n/i	Kit, repair EPC solenoid (w/reamer)	1	93-02	4L6-SOL-KIT	5A-400-RKR
n/i	Refill, repair kit-EPC solenoid	1	93-02	4L6-SOL-4	5A-400-RK
n/i	Solenoid	1	03-06	24224905	5A-400A
n/i	Switch, manifold pressure	1	93-06	24219581	15A-206
n/i	Solenoid, TCC w/internal harness	1	93-02	350-0020	16A-101
n/i	Solenoid, TCC w/internal harness	1	03-06	24222 891	16A-101A

TH700-R4•700-R4•4L60•4L60E•4L65E•4L70E•4L75E

ILL	DESCRIPTION	QTY	YEAR	REFERENCE #	PART #	
ELECTRICAL COMPONENTS (CONTINUED)						
n/i	Solenoid, TCC w/internal harness	4L60E/65E (w/input speed sensor)	1	05-10	24234138	16A-101B
n/i	Solenoid w/internal harness	lock-up/TCC (w/o input speed sensor)	1	03-05	24234280	24234280
n/i	Solenoid w/interl harness 17 pins con	lock-up/TCC (w/internal mode switch)	1	09-10	24237980	24237980
n/i	Switch, manual lever position	4L60E	1	95-03	12450016	5A-97
n/i	Switch, PRNDL/MPLS (NSUB switch)	4L60E (4.3L only tan w/seal)	1	00-03	29540479	5A-98
n/i	Switch, manual lever position	4L65E (single plug)	1	04-10	24221125	5A-97A
n/i	Harness, wiring repair (MLPS)(7 wires)	4L60E	1	95-10	15305887	16A-157
n/i	Harness, wiring repair (MLPS)(4 wires)	4L60E	1	95-06	15305925	16A-158
n/i	Switch, internal mode (MLPS)	4L65E/70E	1	09-10	24235261	24235261
n/i	Harness, wiring repair (external)	4L60E	1	93-10	350-0014	16A-103
n/i	Harness, wiring repair (ECM)	4L60E	1	93-10	350-0063	16A-140
n/i	Harness, wiring repair (PRNDL)	4L60E	1	93-10	350-0077	16A-156
n/i	Harness, wiring repair (VSS)	TH700-R4/4L60E	1	88-06	12101899	16A-159
n/i	Sensor, vehicle speed 2.080" od	TH700-R4/4L60E	1	88-96	8673299	05-106
n/i	Sensor, vehicle speed .920" od	4L60E/65E/70E	1	96-10	10456194	05-107
n/i	Sensor, input speed	4L60E/65E/70E	1	05-07	24237866	15A-194
SWITCH KITS						
n/i	Switch kit, TH700-R4 to TH350	4WD	1	82-92	7-35A	7-35A
n/i	Switch kit, TH700-R4 to TH350	2WD (pickups/passenger cars)	1	82-92	7-35B	7-35B
n/i	Switch kit, TH700-R4 to TH350 Corvette	Corvette	1	82-92	7-35C	7-35C
n/i	Switch kit, TH700-R4 to TH350	S10/S15 4WD (w/converter)	1	82-92	7S-35A	7S-35A
n/i	Switch kit, TH700-R4 to TH350	S10/S15 2WD (w/converter)	1	82-92	7S-35B	7S-35B
n/i	Switch kit, TH700-R4 to TH400	4WD	1	82-84	7-40A	7-40A
n/i	Switch kit, TH700-R4 to TH400	2WD	1	82-92	7-40B	7-40B
n/i	Switch kit, TH700-R4 to TH400	4WD	1	85-92	7-40C	7-40C
n/i	Switch kit, TH700-R4 to TH350	4WD block only	1	82-92	7Q35A	7Q35A
n/i	Switch kit, TH700-R4 to TH350	2WD block only	1	82-92	7Q35B	7Q35B
n/i	Switch kit, TH700-R4 to TH350	2Wd	1	82-92	S-350-2	S-350-2
n/i	Switch kit, TH700-R4 to TH350	4WD	1	82-92	S-350-4	S-350-4
SPRAGS						
D122	Sprag, assembly (26 elements)	TH700-R4 (forward)	1	82-86	AE	K61725-R
D122	Sprag, assembly (28 elements)	TH700-R4/4L60E (forward)	1	82-10	8657929	K61725A
D122	Sprag, assembly (28 elements)	TH700-R4/4L60E (forward)	1	82-10	8657929	K61725A-R
D122	Sprag, (26 elements)	TH700-R4 (forward)	1	82-86	8647084R	61725-R
D123	Sprag .700" 2.295" od (26 elements)	TH700-R4 (forward)	1	82-86	8663774/8647084	61725
D123	Sprag, (29 elements)	TH700-R4/4L60E (forward)(3rd design)	1	87-10	8663773/8654441	61725A
D123	Sprag, (28/29 elements)	TH700-R4/4L60E (forward)(rebuilt)	1	87-10	8654441R	61725A-R
F124	Roller clutch	TH700-R4 (low/reverse)(narrow)	1	82-85	6261305	35503
F124	Roller clutch (wide)	TH700-R4/4L60E (low/reverse)	1	86-10	8663094	61503
BONDED PISTONS						
K43	Kit, bonded piston (bonded rubber)	4L60E/65E	1	93-10	A/E	K61585
C110	Piston, bonded rubber	4L60E/65E (3-4)	1	94-10	24200290	61538
C111	Piston, bonded rubber	4L60E/65E (forward)	1	97-10	24205272	61534
C116	Piston, bonded rubber	4L60E/65E (overrun)	1	97-10	24205273	61530
NOTES						

TH700-R4•4L60•E•65E•70E•75E



4L80E/85E
34000E

ILL	DESCRIPTION	QTY	YEAR	REFERENCE #	PART #
TECHNICAL MANUALS					
K53	Tech manual 4L80-E dis/assembly	1	91-07	83-4L80ETM	010-314
K53	Diagnostic code book	1	96-07	ANEWGMCBTM	010-327
REBUILDER KITS					
K4	Master deluxe rebuild kit	1	91-96	AE	K3400E-R
K4	Master deluxe rebuild kit	1	97-09	AE	K3400F-R
K5	Master kit w/steels	1	91-96	AE	K3400E
K5	Master kit w/steels	1	97-09	AE	K3400F
K6	Master kit w/o steels	1	91-96	AE	K3400E-LS
K6	Master kit w/o steels	1	97-09	AE	K3400F-LS
K7	O/H gasket set w/seals-rings	1	91-09	AE	K34900E
K11	Gasket and seal kit	1	91-09	AE	K34900E-1
VALVE BODY KITS					
K15	Shift Kit® corrects direct clutch burn up	1	91-05	SK® 4L80E	K34908E
K15	Reprogramming Kit™ ends dir clutch burn up	1	91-07	4L80E-HD2	4L80E-HD2
K15	Reprogramming Kit™ includes 48-MOD	1	91-07	4L80E-3	4L80E-3
K15	Vacuum controlled line pressure kit	1	91-03	48-MOD	K34908M
K15	Correction Package eliminate high press	1	91-96	K4L80E	S34908E
K15	Shift Improver Kit performance	1	91-96	10024	114-10024
K15	Transpak™ performance	1	91-96	10054	114-10054
K15	Kit, actuator limit valve repair (5 sets)	1	91-04	48-ACT-TL	K34912
K15	Refills, actuator limit valve	1	91-04	48-ACT-4L6	K34910
GASKETS AND RUBBER COMPONENTS					
G1	Gasket, oil pan	1	91-09	8677743D	13998D
G1	Gasket, oil pan	1	91-09	8677743	13998X
G1	Gasket, oil pan	1	93-09	JLM010975	13998AD
A2	Seal, lathe cut	1	91-09	8654716	1001
A3	Gasket	1	91-09	8677782	1002
A5	O'ring	1	91-09	8661760	1023
F6	Seal, lathe cut	1	91-09	8681168	1003
G7	Multi-lip seal	1	91-09	8656613	13987
G8	Gasket, valve body	1	91-09	8680583	1004
G9	Gasket	1	91-09	8661829	1005
G10	Gasket, valve body	1	91-09	8680593	1006
G11	Gasket (metal)	1	91-09	8675728	1007
G12	Seal, lathe cut	1	91-09	8623430	3921L
G13	Seal, lathe cut	2	91-09	8661647	1071
G14	Seal, lathe cut	1	91-09	8661639	1072
B17	Lip seal	1	91-09	24202358	1008
B18	Lip seal	1	91-09	24202357	1009
C19	Lip seal	1	91-09	8677584	3284L
C19	Lip seal	1	91-96	24202359	3284AL
C20	Lip seal	2	91-09	8677583	3643L
C21	Lip seal	2	91-09	8677582	3956L
D24	Lip seal	1	91-09	8675636	3963L
D25	Lip seal	1	91-09	8675637	3962L
G48	Seal, lathe cut	1	91-06	8661890	1073
G49	Seal, lathe cut	1	91-06	8678294	1074
n/i	O'ring	7	91-09	8655281	13268C
n/i	Ball, check (1/4" steel)	1	91-09	104918	13924S
n/i	O'ring	1	91-09	8616504	3267L
n/i	Multi lip seal (boot)	1	91-09	1259475	13925
n/i	O'ring	1	91-09	15742	1024
n/i	O'ring .970"	1/2	91-09	15116	1025

4L80E•4L85E

4L80E•4L85E

ILL	DESCRIPTION	QTY	YEAR	REFERENCE #	PART #	
GASKETS AND RUBBER COMPONENTS (CONTINUED)						
n/i	O'ring 3/8" line	4L80E (cooler line fittings)	1	97-09	17012	1077
n/i	O'ring	4L80E (cooler line fittings)	1	97-09	8680235	1078
METAL CLAD SEALS						
A39	Seal, metal clad	4L80E (front)	1	91-09	8661602	34151
F40	Seal, metal clad (w/flange)	4L80E (w/brake drum)	1	91-09	8655032	205-21111
F40	Seal, metal clad (w/flange)	4L80E (extension housing w/o boot)	1	91-06	8675730	34743D
F40	Seal, metal clad (w/boot)	4L80E (extension housing)	1	91-09	8677463	34743G
F41	Seal, metal clad	4L80E (rear lube/fits in case)	1	91-09	8675517	34730
G42	Seal, metal clad	4L80E (manual lever shaft)	1	91-09	8657163	38511
n/i	Seal, metal clad	center support lube to case under VB	1	97-09	24203511	34511
SEALING RINGS						
K10	Kit, sealing ring complete	4L80E	1	91-09	AE	K34901E
K10	Kit, heavy duty hi-temp rings	4L80E	1	91-09	4L80E-HTRK	K34901E-HD
D44	Ring, sealing (teflon)	4L80E (center support)	4	91-09	8675729	34713T
E45	Ring, sealing (teflon)	4L80E (pump stator)	2	91-09	8661789	34714T
A46	Ring, sealing (teflon)	4L80E (turbine shaft to stator)	2	91-09	8661894	34715T
A47	Ring, sealing (teflon)	4L80E (turbine shaft to forward housing)	2	91-09	8661893	34716T
G48	Ring, sealing (teflon)	4L80E (1/2 accumulator piston outer)	1	91-09	8627153	34712T
G49	Ring, sealing (teflon)	4L80E (1/2 accumulator piston inner)	1	91-09	8623671	34710AT
G50	Ring, sealing (cast iron)	4L80E (front servo piston)	1	91-09	8623131	34711
G50	Ring, sealing (teflon)	4L80E (front servo piston)	1	91-09	8623131T	34711T
CLUTCH PLATES						
B54	Friction .080" 5.374" od 45T	4L80E (overrun clutch)	3	91-09	8661571	34102
B55	Steel .099" 4.520" id 14T	4L80E (overrun clutch)	3	91-96	8661569	34101
B55	Steel .099" 4.520" id 14T (w/7 holes)	4L80E (overrun clutch)	3	97-09	24204287	34101A
B56	Friction .080" 7.299" od 60T	4L80E (4th clutch) (overdrive)	4	91-09	88661590	34103
B57	Steel .099" 6.300" id 8T	4L80E (4th clutch) (overdrive)	4	91-96	8661579	34104
B57	Steel .099" 6.300" id 8T (w/4 holes)	4L80E (4th clutch) (overdrive)	4	97-09	24204283	34104A
C58	Friction .080" 5.901" od 42T	4L80E (forward/direct clutch)	5/10	91-95	8655619	34304
C58	Friction .080" (high energy)	4L80E (forward/direct clutch)	5/10	96-09	24202646	34304C
C58	Friction .080" 5.901" od 42T	4L80E (forward/direct clutch)	5/10	91-09	8655619HP	34304H
C58	Friction .061" 5.901" od 42T	4L80E (forward/direct clutch)	ar	91-09	n/a	34304X
C59	Steel .077" 4.585" id 12T	4L80E (forward clutch)	4	91-09	8623849	34305A
C59	Steel .077" 4.585" id 12T (Kolene®)	4L80E (forward clutch)	4	91-09	8623849	34305AK
C59	Steel .060" .090" 4.585" id 12T	4L80E (forward/direct clutch)	ar	91-09	n/a	34305
C60	Steel, dished .055"	4L80E (forward/direct clutch)(cushion)	2	91-09	8625196	34305D
C63	Steel .090" 4.585" id 12T	4L80E (direct clutch)	5	91-09	8628197	34305C
C63	Steel .090" 4.585" id 12T (Kolene®)	4L80E (direct clutch)	5	91-09	8625197	34305CK
D64	Friction .080" 6.561" od 47T	4L80E (intermediate clutch)	4	91-95	8675521	34404C
D64	Friction .080" 6.561" od 47T (high energy)	4L80E (intermediate clutch)	4	91-96	86675521	34404B
D64	Friction .072" 6.561" od 47T (high energy)	4L80E (intermediate clutch)	4	96-09	24202966	34404D
D64	Friction .080" 6.561" od 47T	intermediate clutch (high performance)	4	91-09	8655620HP	34404H
D65	Steel .076" 6.561" od 47T	4L80E (intermediate clutch)	4	91-09	8675522	34405E
PRESSURE PLATES						
B67	Pressure plate	4L80E (overrun clutch)	1	91-09	8661573	34423-R
B68	Pressure plate	4L80E (4th clutch)	1	91-99	8661582	34429-R
B68	Pressure plate	4L80E (4th clutch)	1	00-09	8661582	34429A-R
D69	Pressure plate	4L80E (direct clutch)	1	91-09	8675557	34421-R
D70	Pressure plate .370"	4L80E (intermediate clutch)	1	91-98	8675519	34422A-R
D70	Pressure plate .275"	4L80E (intermediate clutch)	1	99-09	24205827	34422B-R
C71	Pressure plate	forward clutch and direct clutch hub	1	91-09	8661837	34416-R

ILL	DESCRIPTION	QTY	YEAR	REFERENCE #	PART #
FILTERS					
K9	Kit, filter 4L80E (elasomeric)	1	91-96	AE	FK34661E
K9	Kit, filter 4L80E (Duraprene®)	1	91-96	AE	DK34661E
K9	Kit, filter 4L80E (elasomeric)	1	97-09	AE	FK34661F
K9	Kit, filter 4L80E (Duraprene®)	1	97-09	AE	DK34661F
G72	Filter 4L80E	1	91-96	8678757	34661E
G72	Filter 4L80E	1	97-09	24210956	34661F
n/i	Screen, filter 4L80E (lock-up/TCC solenoid)	1	91-09	8661834	34714
n/i	Screen, filter 4L80E (PCS)	1	91-09	8685041	34715
n/i	Screen, filter (not in kits) 4L80E (actuator feed)	1	91-09	8661709	34716
BANDS					
D77	Band 1" wide 4L80E (front)	1	91-09	24202631	34325
D77	Band 1 1/4" w (high energy)(not in kit) 4L80E (front)	1	99-09	24210080	34325A
D77	Band (heavy duty) 4L80E (front)	1	91-09	8675578	34325HD
E78	Band (double wrap) 4L80E (rear)	1	91-09	24200468	34510
BUSHINGS					
K13	Kit, bushing 4L80E	1	91-96	AE	K34903E
K13	Kit, bushing 4L80E	1	97-09	AE	K34903F
A79	Bushing 4L80E (pump body)	1	91-96	8682195	34001
A79	Bushing 4L80E (pump body)	1	97-09	24205783	34001A
A80	Bushing 4L80E (stator support front)	1	91-09	8683008	34016
A81	Bushing 4L80E (stator support rear)	1	91-09	8661614	34017
B82	Bushing 4L80E (forward housing)	1	91-09	8661284	34013
A83	Bushing 4L80E (overrun clutch housing front)	1	91-09	8661604	34002E
A84	Bushing (not in kit) 4L80E (overrun clutch housing rear)	1	91-09	8623944	34002
E85	Bushing (not in kit) 4L80E (sun gear shaft)	2	91-96	8623944	34002
E85	Bushing w/4 id oil grooves 4L80E (sun gear shaft)	2	97-09	27207201	34002A
F86	Bushing 4L80E (output shaft)	1	91-09	8653985	34004A
E87	Bushing 4L80E (reaction carrier)	1	91-09	8623192	34008
F88	Bushing 4L80E (extension housing)	1	91-04	8623966	34005C
F88	Bushing 4L80E (extension housing)	1	04-09	34066EX	34005D
D89	Bushing 4L80E (center support)	1	91-96	8655622	34003A
D89	Bushing 4L80E (center support)	1	97-09	24203510	34003B
F90	Bushing 4L80E (case rear)	1	91-09	8677221	34006A
WASHERS/BEARINGS/RACES/SHIMS					
K12	Kit, thrust bearing 4L80E	1	91-09	AE	K34907A
K14	Kit, thrust washer 4L80E (w/popular front selective)	1	91-09	AE	K34907E
C91	Thrust washer (metal) 4L80E (forward clutch hub to direct drum)	1	91-09	8624781	34301
D92	Washer, thrust (metal) 4L80E (center support to reaction carrier)	1	91-09	8623211	34401
E93	Washer, thrust (metal) .060" (4 tabs) 4L80E (reaction carrier to rear planetary)	1	91-01	8626372	32406
E93	Thrust washer 4L80E (reaction carrier to rear planetary)	1	02-09	24214809	34501B
F94	Washer, thrust (metal) .060" (4 tabs) 4L80E (output shaft to thrust washer)	1	91-09	8626372	32406
F95	Washer, thrust (metal) .075"-.078" 4L80E (thrust washer to case)	sel	91-09	8625401	34601
F95	Washer, thrust (metal) .082"-.086" 4L80E (thrust washer to case)	sel	91-09	8625402	34601A
F95	Washer, thrust (metal) .090"-.094" 4L80E (thrust washer to case)	sel	91-09	8625403	34601B
F95	Washer, thrust (metal) .098"-.102" 4L80E (thrust washer to case)	sel	91-09	8625404	34601C
F95	Washer, thrust (metal) .106"-.110" 4L80E (thrust washer to case)	sel	91-09	8625405	34601D
F95	Washer, thrust (metal) .114"-.118" 4L80E (thrust washer to case)	sel	91-09	8625406	34601E
F95	Washer, thrust (case saver) 4L80E (thrust washer to case)	1	91-09	34270T	34601X
C96	Washer, thrust (metal) forward housing to forward clutch hub	1	91-09	8624196	34339
A97	Thrust washer .059" 4L80E (pump stator to overrun housing)	sel	91-09	8677571	34206
A97	Thrust washer .075" 4L80E (pump stator to overrun housing)	sel	91-09	8677572	34206A
A97	Thrust washer .091" 4L80E (pump stator to overrun housing)	sel	91-09	8677573	34206B
A97	Thrust washer .107" 4L80E (pump stator to overrun housing)	sel	91-09	8677374	34206C

4L80E•4L85E

4L80E•4L85E

ILL	DESCRIPTION	QTY	YEAR	REFERENCE #	PART #	
WASHERS/BEARINGS/RACES/SHIMS (CONTINUED)						
A97	Thrust washer .123"	4L80E (pump stator to overrun housing)	sel	91-09	8677575	34206D
C99	Bearing, thrust	4L80E (forward drum to overdrive carrier)	1	91-09	8628202	32404
D100	Bearing, thrust (3 piece)	4L80E (center support to sun gear)	1	91-09	8623920	34920
E101	Bearing, thrust (3 piece)	4L80E (rear planetary to rear ring gear)	1	91-09	24208848	34921
E102	Bearing, thrust (3 piece)	4L80E (rear ring gear to output shaft)	1	91-09	8623922	34922
E103	Shim .041"	4L80E (rear ring gear)	1	99-09	24211821	34340
SNAP RINGS						
A123	Snap ring	4L80E (overrun spring retainer)	1	91-01	8661568	34600
A123	Snap ring	4L80E (overrun spring retainer)	1	02-09	24216149	34602
D135	Snap ring (spiral)	4L80E (intermediate)	1	91-06	n/a	34418SR
PUMP PARTS AND PUMPS						
A105	Pump assembly	4L80E	1	91-96	AE	34200E-R
A105	Pump assembly	4L80E	1	97-03	AE	34200F-R
A105	Pump assembly	4L80E	1	04-09	AE	34200G-R
A105	Pump assembly	4L80E	1	04-09	24230111	34200G
A106	Body, pump w/gears	4L80E	1	91-96	8080908	34300E
A106	Body, pump w/gears	4L80E	1	97-09	24204303	34300F
A107	Stator, pump (cover support)	4L80E	1	91-96	8682038	34400E
A107	Stator, pump (cover support)	4L80E	1	97-03	24204303	34400F
A107	Stator, pump (cover support)	4L80E	1	04-09	AE	34400G-R
A108	Gear set, pump	4L80E	1	91-09	AE	K34201E
n/i	Sleeve, stator repair	4L80E	1	91-09	4L8SS	34641
n/i	Plug, aluminum	converts 2nd design stator to 3rd design	1	04-09	24232333	34643
HARD PARTS						
G120	Valve body spacer plate (improved)	universal 4L80E	1	91-04	48-PLT-01	34750
G120	Valve body spacer plate w/5.7	* 1 4L80E	1	91-91	8680654	8680654
G120	Valve body spacer plate w/6.2 diesel	* 1 w/5.7 1992-93 and 7.4 1500 series	1	91-93	8685689	8685689
G120	Valve body spacer plate	* 1 4L80E	1	91-92	8685690	8685690
G120	Valve body spacer plate w/7.4	* 1 2500/3500 series	1	91-93	8685691	8685691
G120	Valve body spacer plate w/4.3	* 1 4L80E	1	91-93	8685688	8685688
G120	Valve body spacer plate w/6.2 diesel	* 1 4L80E	1	94-94	24200437	24200437
G120	Valve body spacer plate w/4.3	* 1 4L80E	1	94-94	8684223	8684223
G120	Valve body spacer plate w/5.7 and 7.4	* 1 4L80E	1	94-94	8684225	8684225
G120	Valve body spacer plate w/6.2 diesel	* 1 4L80E	1	95-95	24200732	24200732
G120	Valve body spacer plate	* 1 4L80E (w/4.3/5.7/7.4)	1	95-95	24200731	24200731
G120	Valve body spacer plate	* 1 4L80E (w/4.3/6.2 diesel)	1	97-03	24204270	24204270
G120	Valve body spacer plate	* 1 4L80E (w/5.7)	1	97-03	24204272	24204272
G120	Valve body spacer plate	* 1 4L80E (w/7.4)	1	97-03	24204269	24204269
G120	Valve body spacer plate	* 1 4L80E	1	04-07	24226081	24226081
G120	Valve body spacer plate	* 1 4L80E	1	04-07	24226217	24226217
note	* 1# on plate is last 4 digits of OEM #	note				
A122	Retainer and spring assembly	4L80E (overrun)	1	91-01	8661629	34981
A122	Retainer and spring assembly	4L80E (overrun)	1	02-09	24216366	34982
C127	Piston, aluminum	4L80E (forward clutch)	1	91-96	8675508	34535
C128	Piston, aluminum	4L80E (direct clutch)	1	91-96	8675511	34533
C129	Hub (cast)	4L80E (forward clutch)	1	91-06	8677091	34870A-R
C129	Hub (steel)	4L80E (forward clutch)	1	91-06	21202	34870B
A130	Shaft, turbine	4L80E	1	91-06	24200128	34731
A130	Shaft, turbine	4L80E	1	91-06	24200128	34731-R
D132	Race, (outer)	4L80E (intermediate clutch)	1	91-06	8675520	34839A-R
E136	Carrier, reaction	4L80E (front planetary)	1	91-98	24205551	34875A-R
E136	Carrier, reaction (straight cut)	4L80E (front planetary)	1	91-98	24205552	34875B-R
E136	Carrier, reaction	4L80E (front planetary)	1	99-06	24202051	34875C

ILL	DESCRIPTION	QTY	YEAR	REFERENCE #	PART #	
HARD PARTS (CONTINUED)						
E136	Carrier, reaction	4L80E (front planetary)	1	99-06	24202051	34875C-R
E136	Carrier, reaction (straight cut)	4L80E (front planetary)	1	99-06	n/a	34875D-R
B139	Housing, forward clutch	4L80E	1	91-96	8680917	34725
B139	Housing, forward clutch	4L80E	1	91-96	8680917	34725-R
B139	Housing, forward clutch	4L80E (use w/34531 inner sleeve)	1	97-06	24208850	34725A
B139	Housing, forward clutch	4L80E	1	97-07	24334155	D34725A
B139	Housing, forward clutch	4L80E	1	97-06	24208850	34725A-R
A140	Housing, overrun clutch	4L80E	1	91-01	8680918	34727
A140	Housing, overrun clutch	4L80E	1	02-06	n/a	34727A-R
E141	Carrier, output (heli cut gears)	4L80E (rear planetary)	1	91-98	8675611	34880E
E141	Carrier, output (heli cut gears)	4L80E (rear planetary)	1	91-98	8675611	34880E-R
E141	Carrier, output (straight cut gears)	4L80E (rear planetary)	1	91-06	8675612	34880F
E141	Carrier, output (straight cut gears)	4L80E (rear planetary)	1	91-06	8675612	34880F-R
E141	Carrier, output (heli cut gears)	4L80E (rear planetary)	1	99-06	24202052	34880G
E141	Carrier, output (heli cut gears)	4L80E (rear planetary)	1	99-01	24202052	34880G-R
E141	Carrier, output (straight cut gears)	4L80E (rear planetary)	1	99-01	n/a	34880H-R
E141	Carrier, output (RWD w/2 washer holes)	4L80E (rear planetary)	1	02-06	24214966	34880J-R
E141	Carrier, output (4x4 w/2 washer holes)	4L80E (rear planetary)	1	02-06	24215388	34880K-R
E142	Shaft, sun gear	4L80E	1	91-96	8661708	34872A-R
E142	Shaft, sun gear	4L80E	1	97-98	24207247	34872B
E142	Shaft, sun gear	4L80E	1	97-98	24207247	34872B-R
E142	Shaft, sun gear	4L80E	1	99-06	24207264	34872C-R
E143	Gear, sun	4L80E	1	91-96	8626807	34873A-R
E143	Gear, sun (straight cut)	4L80E	1	91-96	8627130	34873B-R
E143	Gear, sun	4L80E	1	97-06	24209475	34873C-R
E143	Gear, sun (straight cut)	4L80E	1	97-06	AE	34873D-R
E144	Mainshaft	4L80E	1	91-96	8661613	34871-R
E144	Mainshaft	4L80E	1	97-06	24203400	34871A-R
E145	Gear, rear ring	4L80E	1	91-96	8683770	34874-R
E145	Gear, rear ring (straight cut)	4L80E	1	91-96	8683771	34874B-R
E145	Gear, rear ring	4L80E	1	97-06	24203398	34874C-R
E145	Gear, rear ring (straight cut)	4L80E	1	97-06	n/a	34874D-R
C147	Housing, direct clutch	4L80E	1	91-06	8680924	34726
C147	Housing, direct clutch	4L80E	1	91-06	8680924	34726-R
E153	Silencer, ring (plastic)	4L80E	1	91-09	8626112	34999
B154	Carrier, overdrive	4L80E (w/o turbine shaft)	1	91-01	8661601	34747
B154	Carrier, overdrive	4L80E (w/o turbine shaft)	1	91-01	8661601	34747-R
B154	Carrier, overdrive	4L80E (w/o turbine shaft)	1	02-06		34747A
B154	Carrier, overdrive	4L80E (w/o turbine shaft)	1	02-06	AE	34747A-R
B154	Carrier, overdrive	4L80E (w/turbine shaft)	1	91-01	24200130	K34747
D155	Support, center	4L80E	1	91-96	8661865	34846B-R
D155	Support, center	4L80E	1	97-98	24208849	34846C
D155	Support, center	4L80E	1	97-98	24208849	34846C-R
D155	Support, center (w/.041" recess)	4L80E	1	99-06	24217454	34846D
D155	Support, center (w/.041" recess)	4L80E	1	99-06	24217454	34846D-R
n/i	Clip, cooler line retaining	4L80E	2	96-06	24205103	61704
n/i	Bracket, force motor update	4L80E	1	91-06	8684217	8684217
n/i	Housing, adapter (4WD)	4L80E	1	95-06	15724745	34990
n/i	Accumulator housing	4L80E	1	91-96	8684220	34940

ILL	DESCRIPTION		QTY	YEAR	REFERENCE #	PART #
ELECTRICAL COMPONENTS						
G171	Harness, internal complete (late design)	4L80E (* 2)	1	94-03	24222798	16A-110
G171	Harness, internal complete	4L80E	1	04-09	24224906	16A-117
note	* 2 will retro fit early harnesses	w/16A-109 and 15A-211 (1991-93)				
n/i	Harness, repair external	4L80E (late design)	1	94-09	34986	16A-109
n/i	Kit, harness repair	4L80E (internal and external)	1	91-03	24200161	16A-120
n/i	Harness, wiring repair (ECM)	4L80E	1	91-09	350-0063	16A-140
n/i	Harness, wiring repair (PRNDL)	4L80E	1	91-09	350-0077	16A-156
n/i	Harness, wiring repair (VSS)	4L80E (external)	1	91-09	12101899	16A-159
n/i	Harness, wiring repair (MLPS)(7 wires)	4L80E	1	95-08	15305887	16A-157
n/i	Harness, wiring repair (MLPS)(4 wires)	4L80E	1	95-06	15305925	16A-158
n/i	Kit, solenoid	4L80E	1	91-03	MS-4L80E	25A-010
n/i	Solenoid	4L80E (1-2, 2-3 shift)	2	91-09	52-0211	5A-391
n/i	Solenoid (PWM)	4L80E (lock-up/TCC)	1	91-09	24210864	5A-392
n/i	Solenoid	4L80E (1-2 shift)	1	91-09	824201004	5A-397
n/i	Solenoid	4L80E (2-3 shift)	1	91-09	24201005	5A-398
n/i	Solenoid	4L80E (force motor EPC)	1	91-03	24220158	5A-400
n/i	Solenoid (white connector)	4L80E (force motor Holley)	1	04-09	24225320	5A-400B
n/i	Kit, repair EPC solenoid (w/reamer)	4L80E	1	91-03	4L6-SOL-KIT	5A-400-RKR
n/i	Refill, repair kit-EPC solenoid	4L80E (qty 4)	1	91-03	4L6-SOL-4	5A-400-RK
n/i	Switch, manifold pressure	4L80E	1	91-09	24222077	15A-211
n/i	Sensor, temperature	4L80E	1	91-03	8661818	15A-212
n/i	Sensor, temperature	4L80E	1	94-09	12129691	16A-201
n/i	Sensor	4L80E (input/output speed)	2	91-09	24203876	05-101
n/i	Switch, manual lever position	4L80E	1	95-03	112450016	5A-97
SPRAGS						
D131	Sprag (cage type)(heavy duty 34 elements)	4L80E (intermediate)	1	91-06	8623116	34418X
E133	Sprag (roller type)	4L80E (low)	1	91-96	930679	34402A
E133	Sprag (roller type)	4L80E (low)	1	97-06	7471009	34402B
A138	Sprag (roller type)	4L80E (overdrive)	1	91-01	7471001	34849
A138	Sprag (roller type)	4L80E (overdrive)	1	02-06	12431003	34849A
BONDED PISTONS						
A125	Piston, bonded rubber	4L80E (overrun clutch)	1	91-09	8661567	34530
B126	Piston, inner sleeve bonded rubber	4L80E (forward clutch)	1	97-09	24204960	34531
C127	Piston, bonded rubber	4L80E (forward clutch)	1	97-09	24204957	34532
C128	Piston, bonded rubber	4L80E (direct clutch)	1	97-09	24204961	34534
NOTES						

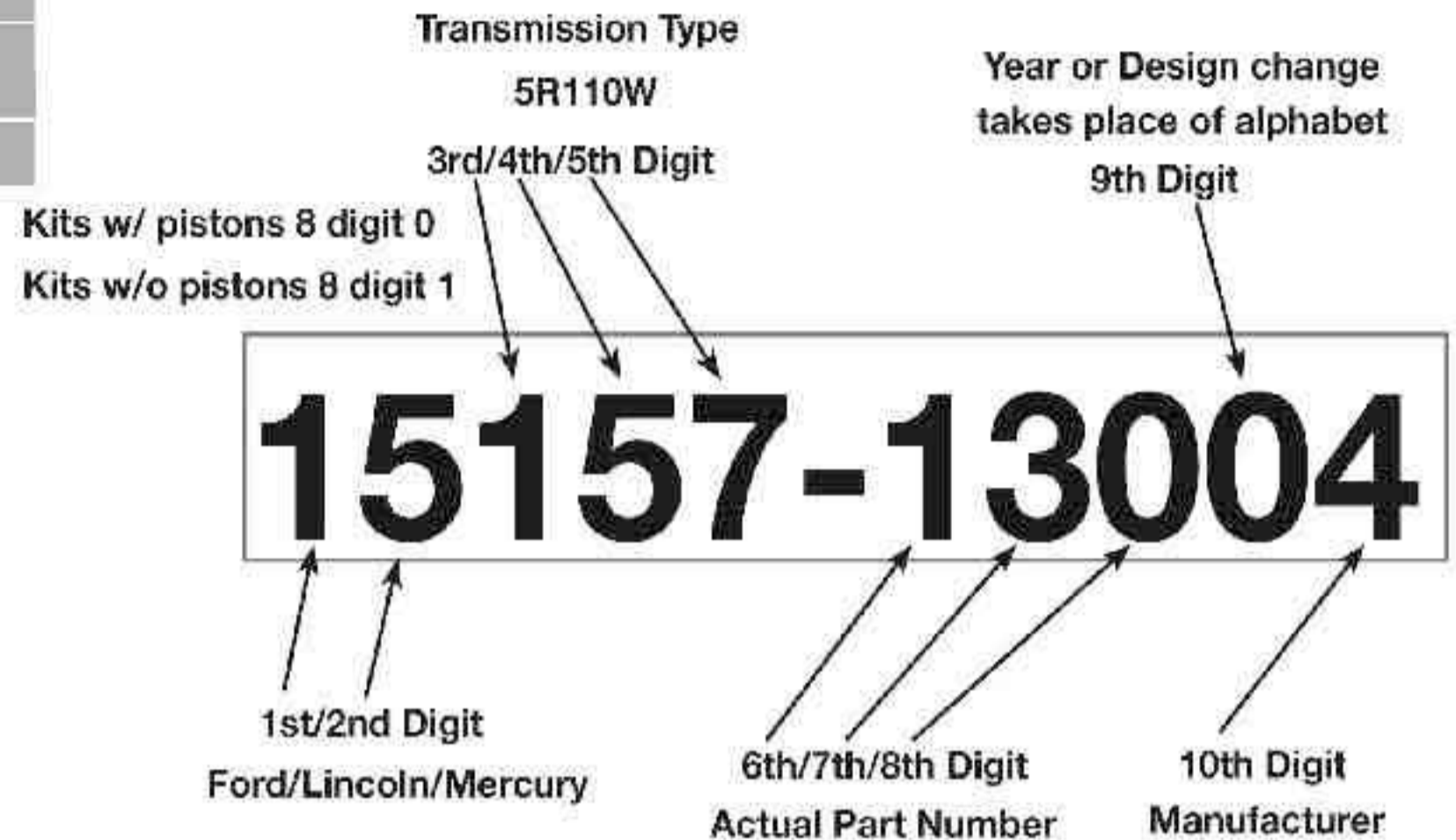


Automatic transmission

10 Digit Numbering System

1st/2nd Digit	Vehicle Make
3rd/4th/5th Digit	Transmission Type
6th/7th/8th Digit	Actual Part Number
9th Digit	Year or Design Change
10th Digit	Manufacturer/Vendor

This is what a typical number looks like, this one is an O/H gasket set w/seals-rings w/pistons (5R110W)



6th/7th/8th Digit	
K4 Master deluxe rebuild kits	100-101
K5 Master kit w/steels	110-119
K6 Master kit w/o steels	120-129
K7 O/H gasket set w/seals-rings	130-139
K8 External seal kits	140-149
K11 Gaskets & seals kits	150-159
K13 Valve body gasket sets	160-167
K28 Accumulator D ring kits	168-169
K15 Valve body kits	170-179
Pan gaskets neoprene/cork	180-189
Pan gaskets Duraprene®	190-199
Pan gaskets molded rubber	200-209
O-rings/D rings	210-245
Lip seals	246-279
Gaskets	280-299
Metal clad seals	300-314
K10 Sealing ring kits	315-319
K10 Sealing ring kits (metal)	320-330
K10 Sealing ring kits (Teflon/plastic)	331-350
Friction (lined disc)	351-374
Steel/waved plates	375-410
Pressure plates	411-434
K9 Filter kits neoprene/cork	435-439
K9 Filter kits Duraprene®	440-444
K9 Filter kits molded rubber	445-449
Filters	450-464
Modulator	465-474
Bands	475-484
K13 Bushing kits	500-505
Bushings	506-540
K14 Thrust washer kits	545-550
K12 Thrust bearing kits	551-555
K14 Shim kits	556-560
Thrust washers	561-620
Thrust bearing races	561-620
Snap rings	621-669
Pump/pump parts	670-710
Hard parts	721-849
Electrical	850-939
Sprags	940-960
Pistons, bonded rubber	961-994
Bonded piston kits	995-999

Kits w/ pistons 8 digit 0
Kits w/o pistons 8 digit 1

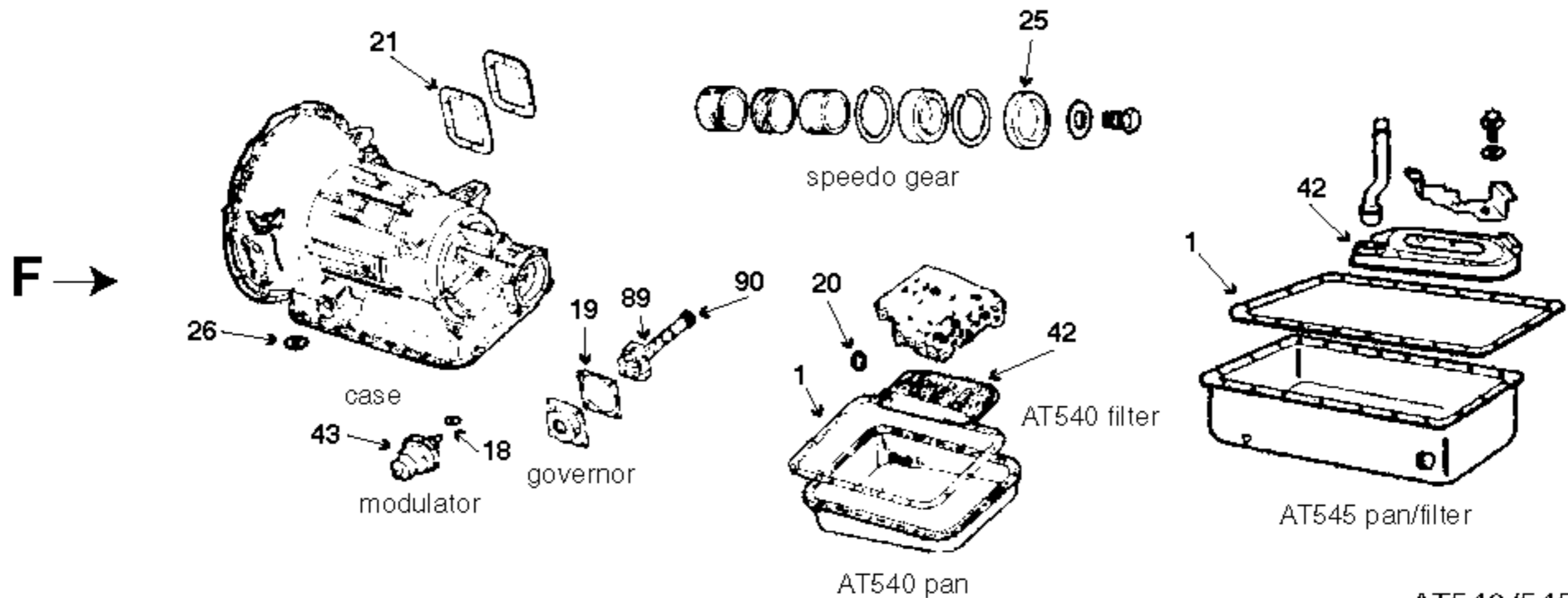
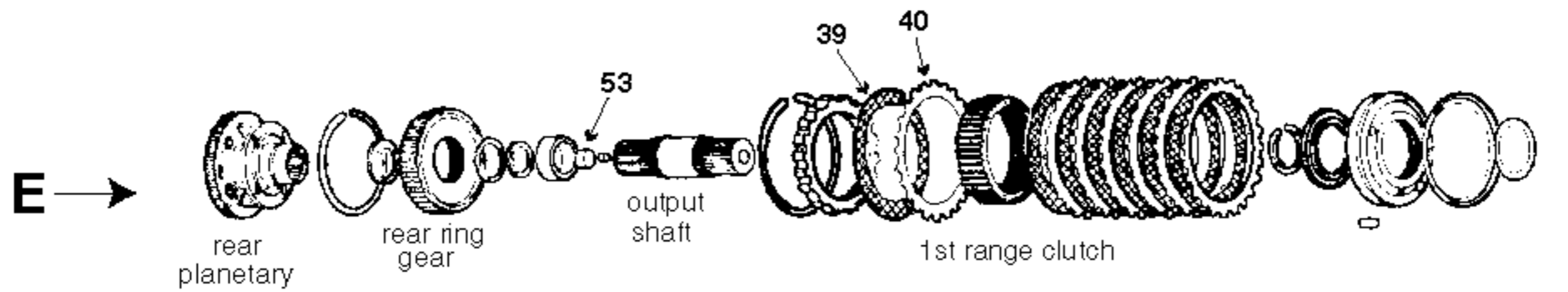
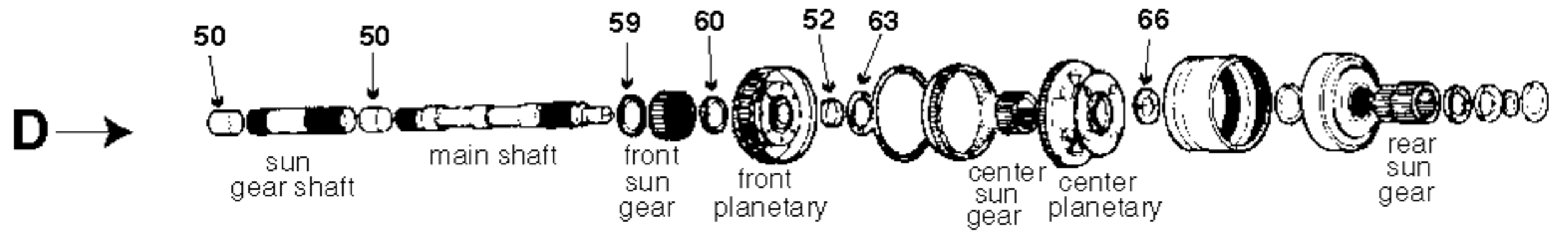
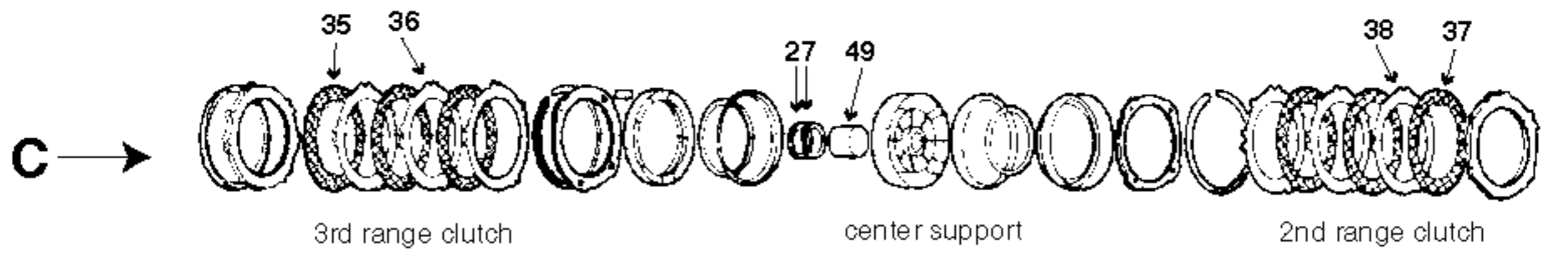
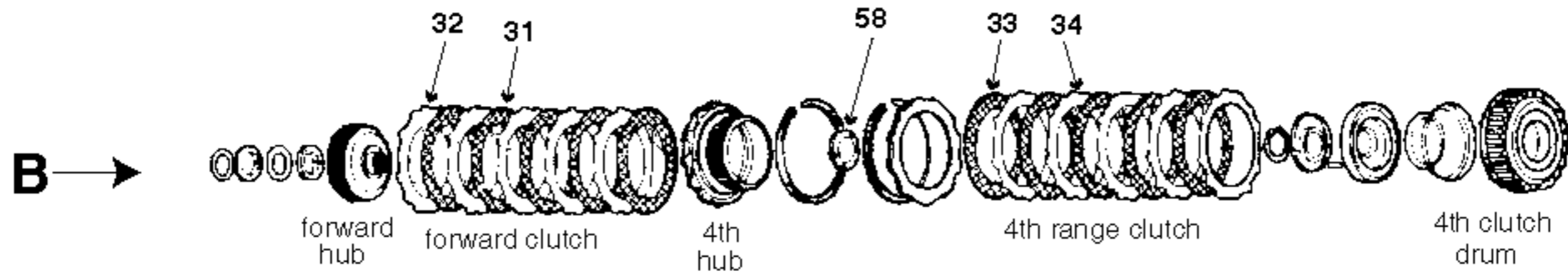
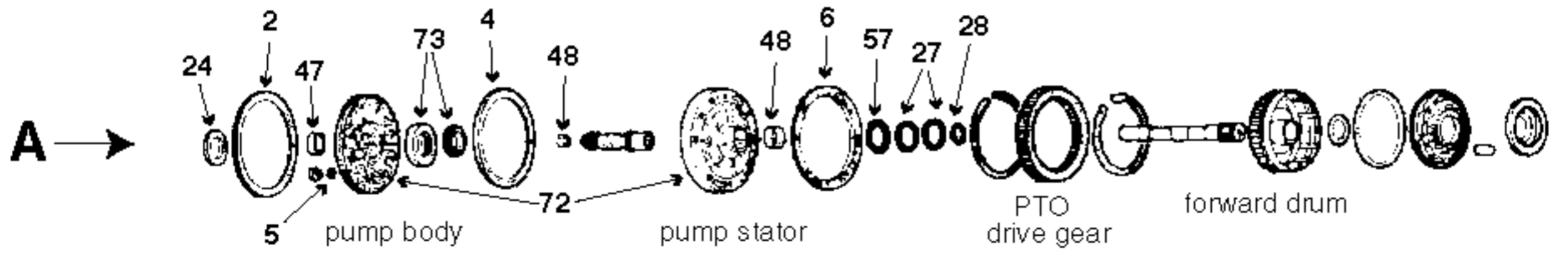
Vehicle Make

10 General Motors	74 Lexus
15 Ford/Lincoln/Mercury	75 Mazda
20 Chrysler/Dodge/Jeep/Eagle	78 Mercedes
25 Acura	80 Mitsubishi
30 Alfa Romeo	82 Nissan/Datsun
40 Audi	83 Opel
45 BMW	84 Peugeot
50 Daewoo	85 Porsche
52 Fiat	86 Renault
55 Daihatsu	87 Saab
56 GEO	90 Saturn
60 Honda	91 Sterling
65 Hyundai	92 Subaru
68 Infiniti	93 Suzuki
70 Isuzu	94 Smart
71 Jaguar	95 Toyota
72 Kia	96 Volkswagen
73 Land Rover	97 Volvo

- 670 Pump assemblies
- 681 Pump gears
- 685 Pump stators
- 675 Pump bodies w/gears

98 Scion
1st/2nd Digit Vehicle Make
3rd/4th/5th Digit Transmission Type
6th/7th/8th Digit Actual Part
9th Digit Year or Design Change

- 10th Digit
- 0 OEM
 - 1 Borg/Warner
 - 2 Raybestos
 - 3 Rebuilt/Good Used
 - 4 Aftermarket
 - 5 Superior
 - 6 SPX
 - 7 Transtec
 - 8 Hi-Performance
 - 9 Transgo®



AT540/545
11000

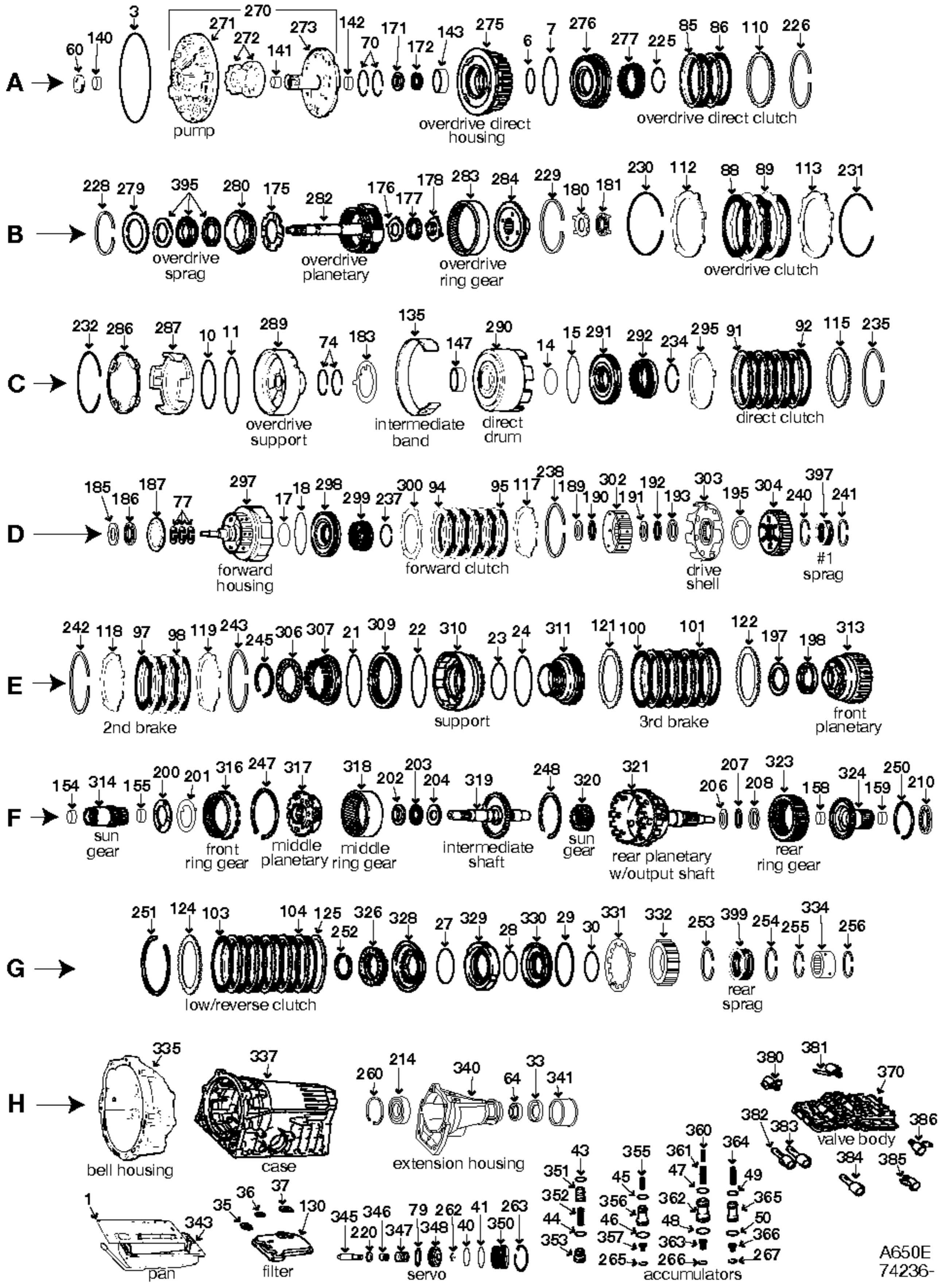
ILL	DESCRIPTION	QTY	YEAR	REFERENCE #	PART #
REBUILDER KITS					
K5	Master kit w/steels	1	70-99	AE	K1100
K6	Master kit w/o steels	1	70-99	AE	K1100-LS
K7	O/H gasket set w/seals-rings	1	70-99	AE	K11900
GASKETS AND RUBBER COMPONENTS					
F1	Gasket, oil pan	1	70-99	6885423	13540X
F1	Gasket, oil pan	1	70-99	23016682	13540D
A2	Seal, lathe cut	1	70-99	23016599	3877L
A4	Seal, lathe cut	1	70-99	23016600	13152
A5	Washer, coated	17	70-99	8626281	13268A
A6	Gasket, charging pump to case	1	70-99	23015883	13403
F18	O'ring	1	70-99	10054241	3410L
F19	Gasket	1	70-99	23011670	3914L
F20	O'ring	1	70-99	1363951	3547L
F21	Gasket, power take off cover	1	70-99	23016683	3915L
METAL CLAD SEALS					
A24	Seal, metal clad	1	70-99	23015975	38151A
F25	Seal, metal clad	1	70-99	6778050	11850
F26	Seal, metal clad	1	70-99	23010610	38511
SEALING RINGS					
K10	Kit, sealing ring	1	70-99	AE	K11901
A27	Ring, sealing	2	70-99	8621075	11302
C27	Ring, sealing	2	70-99	8621075	11302
A28	Ring, sealing	1	70-99	8616052	11301
CLUTCH PLATES					
B31	Friction .080" 5.890" od 42T	5	70-99	23042197	11103
B32	Steel .090" 4.585" id 12T	5	70-99	29530330	34305C
B33	Friction .080" 5.890" od 42T	5	70-99	23042197	11103
B34	Steel .090" 4.585" id 12T	5	70-99	29530330	34305C
C35	Friction .100" 9.100" od 80T	3	70-99	23042199	11104
C36	Steel .098" 7.250" id 9T	3	70-99	23045554	11105
C37	Friction .100" 9.100" od 80T	3	70-99	23042199	11104
C38	Steel .098" 7.250" id 9T	3	70-99	23045554	11105
E39	Friction .097" 8.150" od 60T	7	70-99	23041097	11106
E40	Steel .098" 6.500" id 30T	7	70-99	6831705	11107
FILTERS					
K9	Kit, filter (metal screen)	1	70-99	AE	FK11800
K9	Kit, filter (w/large filter)	1	70-99	AE	FK21800
F42	Filter (2nd type brass flat)	1	70-99	6437741	34661S
F42	Filter (large type)	1	70-99	6883044	21800
MODULATORS					
F43	Modulator	1	70-99	3039092	11820A
BUSHINGS					
A47	Bushing (babbitt)	1	70-99	23018806	8005
A47	Bushing (bronze)	1	70-99	6880917	11005
A48	Bushing (not in kit)	2	70-99	6836272	34002
C49	Bushing	1	70-99	23012990	11000
D50	Bushing (not in kit)	2	70-99	6836272	34002
D52	Bushing	1	70-99	6831689	11001
E53	Bushing	1	70-99	8622947	11002

AT540•AT545

AT540•AT545

ILL	DESCRIPTION		QTY	YEAR	REFERENCE #	PART #
WASHERS/BEARINGS/RACES/SHIMS						
A57	Thrust washer .056-.060" #0	pump	sel	70-99	6831620	11407
A57	Thrust washer .072"-.076" #1	pump	sel	70-99	6831621	11407A
A57	Thrust washer .089"-.093" #2	pump	sel	70-99	6831622	11407B
A57	Thrust washer .105"-.109" #3	pump	sel	70-99	6831623	11407C
A57	Thrust washer .121"-.125" #4	pump	sel	70-99	6831624	11407D
A57	Thrust washer .138"-.142" #5	pump	sel	70-99	6831625	11407E
B58	Thrust washer (metal)	forward hub to 4th clutch drum	1	70-99	8624781	34301
D59	Thrust washer	front sun gear (front)	1	70-99	6831658	11411
D60	Thrust washer .064-.068"	front sun gear (rear)	sel	70-99	23013451	11412
D60	Thrust washer .083-.087"	front sun gear (rear)	sel	70-99	23013452	11412A
D60	Thrust washer .102-.106"	front sun gear (rear)	sel	70-99	23013453	11412B
D63	Thrust washer	AT540 (front planetary rear)	1	70-99	6831673	11415
D66	Thrust washer	AT540 (center planetary rear)	1	70-99	6831692	11418
n/i	Spacer .015" gold	turbine	sel	70-99	6837429	11403
n/i	Spacer .030" silver	turbine	sel	70-99	6837430	11403A
n/i	Spacer .042" plain	turbine	sel	70-99	6837431	11403B
n/i	Spacer .060" black	turbine	sel	70-99	6837432	11403C
n/i	Spacer .075" copper	turbine	sel	70-99	6837433	11403D
n/i	Thrust washer (bronze)	front planetary (pinion)	8	70-99	6839514	11413
n/i	Thrust washer (steel)	front planetary (pinion)	8	70-99	6833991	11414
n/i	Thrust washer (bronze)	center and rear planetary (pinion)	8+8	70-99	6839376	11416
n/i	Thrust washer (steel)	center and rear planetary (pinion)	8+8	70-99	6831680	11417
n/i	Washer	AT540 (center support bolt)	1	70-99	23014094	11422
n/i	Washer, drain plug	AT540/545	1	70-99	8922349	11423
PUMP PARTS AND PUMPS						
A72	Pump assembly	specify (exchange)	1	70-99	AE	11200-R
A73	Gear set, pump .727"	.727" thickness	1	70-99	n/a	K35201B
HARD PARTS						
F89	Governor assembly	ID #463	1	70-99	n/a	11410C
F89	Governor assembly	ID #465	1	70-99	n/a	11410D
F89	Governor assembly	ID #460	1	70-99	6881466	11410
F89	Governor assembly	ID #461	1	70-99	6885570	11410A
F89	Governor assembly	ID #462	1	70-99	6885571	11410B
F90	Kit, governor gear	AT540/545	1	70-99	8624939	K34411A
ELECTRICAL COMPONENTS						
n/i	Switch, reverse signal, backup light	AT540/545	1	70-99	AS36-033	11426
NOTES						

ITEM	DESCRIPTION	PART #
	SEYMOUR PAINT PRODUCTS	
CAST BLAST	CAST BLAST - CAST IRON GRAY - 12 oz. CAN	16-048
SPRAY PAINT	STAINLESS STEEL SPRAY - 13 oz. CAN	16-054
ALUMINUM BLAST	ALUMINUM BLAST -12 oz. CAN	16-055
ENAMEL PAINT	GLOSS BLACK ENAMEL - 12 oz. CAN	16-115
ENAMEL PAINT	DULL ALUMINUM METALLIC ENAMEL - 12 oz. CAN	16-132
ENAMEL PAINT	FLAT BLACK ENAMEL - 12 oz. CAN	16-133
PRIMER	WHITE PRIMER - 12 oz. CAN	16-805
LACQUER	GLOSS BLACK LACQUER - 12 oz. CAN	16-815
PRIMER	BLACK PRIMER	16-828
PRIMER	LIGHT GRAY PRIMER	16-831
LACQUER	SEMI-GLOSS BLACK LACQUER - 12 oz. CAN	16-838
HOT SPOT PAINT	ALUMINUM HOT SPOT - 12 oz. CAN	16-1201
HOT SPOT PAINT	WHITE HOT SPOT - 12 oz. CAN	16-1202
HOT SPOT PAINT	BLACK HOT SPOT - 12 oz. CAN	16-1203
CAST BLAST	CAST BLAST - 1200 DEGREES F	16-2668
CLEANER	INDUSTRIAL GLASS CLEANER - 16 oz. CAN	20-20
UNDERCOAT	QUIET SEAL AUTOBODY UNDERCOAT - 18oz.	20-006
UNDERCOAT	QUIET SEAL RUBBERIZED UNDERCOAT - 24 oz. CAN	20-046
PAINT REMOVER	GRAFFITI/PAINT REMOVER - 12.5 oz. CAN	20-047
CEILING PAINT	CEILING TILE PAINT - OLD WHITE - 16 oz. CAN	20-052
LUBRICANT	SILICONE LUBRICANT - 13 oz. CAN	620-1500
VARNISH	RED INSULATING VARNISH - 16 oz. CAN	620-1525
DEGREASER	NON-FLAMMABLE ELECT. DEGREASER	620-1526
SEALER	TINTED IGNITION SEALER - 11.5 oz. CAN	620-1529
CLEANER	CARB PCV VALVE & CHOKE CLEANER	620-1536
ADHESIVE	ALL PURPOSE ADHESIVE - 14 oz. CAN	620-1539
BRAKE CLEANER	NON-CHLORINATED BRAKE CLEANER - 13 oz. CAN	620-1548
CUTTING OIL	MACHINE TOOL CUTTING OIL 14 oz. CAN	620-1557
LAYOUT INK	TOOLMAKER'S LAYOUT BLUE INK - 15 oz. CAN	620-1558
INK REMOVER	TOOLMAKER'S LAYOUT INK REMOVER - 16 oz. CAN	620-1559
CLEANER	MULTI-PURPOSE CLEANER/DEGREASER - 15 oz. CAN	620-1568
ENGINE PAINT	CHROME ALUMINUM HI-TECH ENGINE PAINT - 12 oz. CAN	EN-41
ENGINE PAINT	UNIVERSAL BLACK HI-TECH ENGINE PAINT - 12 oz. CAN	EN-42
ENGINE PAINT	FORD GRAY HI-TECH ENGINE PAINT 12 oz. CAN	EN-43
ENGINE PAINT	FORD/CHRYSLER RED HI-TECH ENGINE PAINT - 12 oz. CAN	EN-44
ENGINE PAINT	FORD BLUE HI-TECH ENGINE PAINT - 12 oz. CAN	EN-46
ENGINE PAINT	CHEVY ORANGE HI-TECH ENGINE PAINT - 12 oz. CAN	EN-48
ENGINE PAINT	PONTIAC BLUE METALLIC -HI TECH ENGINE PAINT - 12 oz. CAN	EN-57
ENGINE PAINT	AMC BLUE HI-TECH ENGINE PAINT - 12 oz. CAN	EN-66
ENGINE PAINT	GM BLUE HI-TECH ENGINE PAINT - 12 oz. CAN	EN-67
ENGINE PAINT	DULL ALUMINUM HI-TECH ENGINE PAINT 12 oz. CAN	EN-71
EPOXY PAINT	APPLIANCE WHITE EPOXY PAINT - 12 oz. CAN	EP-502
EPOXY PAINT	APPLIANCE ALMOND EPOXY PAINT - 12 oz. CAN	EP-522



A650E
74236-

ILL	DESCRIPTION	QTY	YEAR	REFERENCE #	PART #
TECHNICAL MANUALS					
K53	Tech manual-covers A650E dis/assembly diagnosis & troubleshooting	1	98-05	n/a	010-490
REBUILDER KITS					
K4	Master deluxe rebuild kit A650E	1	98-05	AE	74236-10104
K5	Master kit w/steels A650E	1	98-05	AE	74236-11104
K6	Master kit w/o steels A650E	1	98-05	AE	74236-12104
K7	O/H gasket set w/seals-rings A650E	1	98-05	2355	74236-13104
K13	Kit, valve body gasket A650E 3.0L/4.0L engine	1	98-05	4989	74236-16104
K13	Kit, valve body gasket A650E 4.3L engine	1	01-05	4765	74236-16304
VALVE BODY KITS					
K15	Kit, valve body repair A650E	1	98-05	n/a	74236-17009
GASKETS AND RUBBER COMPONENTS					
H1	Gasket, oil pan (cork) A650E	1	98-05	n/a	74236-18104
H1	Gasket, oil pan (Duraprene®) A650E	1	98-05	FDB-11348	74236-19104
A3	O'ring A650E (pump to case)	1	98-05	90301-99033	1082
H33	Seal, metal clad A650E output yoke	1	98-05	90312-27001	74236-31004
n/i	Gasket, main valve body (upper) A650E	1	98-05	35406-30220	74236-28604
n/i	Gasket, main valve body (lower) A650E	1	98-05	35406-30220	74236-28804
n/i	Gasket, sub valve body (upper) A650E	1	98-05	35404-30020	74236-28904
n/i	Gasket, sub valve body (lower) A650E	1	98-05	35404-30020	74236-29004
n/i	O'ring A650E (filler tube)	1	98-05	90301-09011	23009
n/i	O'ring A650E (speed sensors)	1	98-05	90301-11008	13767
METAL CLAD SEALS					
A60	Seal, metal clad A650E front seal	1	98-05	90311-38077	46200
H64	Seal, metal clad A650E extension housing	1	98-05	90311-42024	74236-30804
SEALING RINGS					
K10	Kit, sealing ring A650E	1	98-05	FDB-3457	74236-31604
A70	Sealing ring A650E (stator support overdrive brake)	2	98-05	35617-30020	74236-33204
C74	Sealing ring A650E (center support direct clutch)	2	98-05	35617-30020	74236-33704
D77	Sealing ring A650E (forward housing)	3	98-05	35712-30020	74236-33804
H79	Sealing ring A650E (2nd clutch servo overrun band)	1	98-05	35865-30010	74236-34004
CLUTCH PLATES					
A85	Steel .079" 4.127" id 24T overdrive direct clutch	2	98-05	34616-30010	54107
A85	Steel .098" 4.127" id 24T overdrive direct clutch	1	98-05	34616-50010	54107A
A86	Friction .083" 4.973" od 32T overdrive direct clutch	2	98-05	35633-30040	54101
B88	Friction .081" 6.529" od 24T overdrive brake clutch	4	98-05	3466-60010	54100
B89	Steel .078" 5.634" id 6T overdrive brake clutch	3	98-05	34634-30050	54106A
C91	Steel .071" 4.155" id 24T direct clutch	5	98-05	APC-142705-180	74236-37604
C92	Friction .067" 5.178" od 40T direct clutch	5	98-05	APC-142704-170	74236-35204
D94	Steel .071" 4.138" id 8T forward clutch	4	98-05	35634-32010	75101
D94	Steel .055" 4.138" id 8T forward clutch	1	98-05	35634-33020	75132
D95	Friction .075" 4.973" od 40T forward clutch	5	98-05	35677-30150	54103B
E97	Friction .071" 5.940" od 36T 2nd brake clutch	5	98-05	APC-142706-180	74236-35504
E98	Steel .106" 5.175" id 8T 2nd brake clutch	4	98-05	APC-142707-200	74236-37804
E98	Steel .078" 5.175" id 8T 2nd brake clutch	1	98-05	APC-142707-200	74236-37904
E100	Friction .087" 5.575" od 35T 3rd brake clutch	5	98-05	APC-142708-220	74236-35704
E101	Steel .114" 4.861" id 23T 3rd brake clutch	5	98-05	APC-142709-290	74236-38104
G103	Friction .067" 5.420" od 44T low/reverse clutch	6	98-05	35683-30010	74236-35904
G104	Steel .071" 4.872" id 18T low/reverse clutch	5	98-05	35693-30020	74236-38304
PRESSURE PLATES					
A110	Pressure plate overdrive direct clutch	sel	98-05	AE	74236-41103
B112	Pressure plate overdrive brake clutch	sel	98-05	AE	74236-41403
B113	Pressure plate (apply) overdrive brake clutch	1	98-05	AE	74236-41803
C115	Pressure plate direct clutch	sel	98-05	AE	74236-42003

ILL	DESCRIPTION		QTY	YEAR	REFERENCE #	PART #
PRESSURE PLATES (CONTINUED)						
D117	Pressure plate	forward clutch	sel	98-05	AE	74236-42303
E118	Pressure plate	2nd brake clutch	sel	98-05	AE	74236-42503
E119	Pressure plate (apply)	2nd brake clutch	1	98-05	AE	74236-42703
E121	Pressure plate (apply)	3rd brake clutch	1	98-05	AE	74236-42903
E122	Pressure plate	3rd brake clutch	sel	98-05	AE	74236-43104
G124	Pressure plate	low/reverse clutch	sel	98-05	AE	74236-43203
G125	Pressure plate (apply)	low/reverse clutch	1	98-05	AE	74236-43403
FILTERS						
K9	Kit, filter (cork)	A650E	1	98-06	AE	74236-43604
K9	Kit, filter (Duraprene®)	A650E	1	98-06	AE	74236-44104
H130	Filter, main suction	A650E	1	98-06	35330-30050	74236-45004
H130	Filter, main suction	Lexus IS200 (A650E)	1	01-05	35330-22032	74236-45104
BANDS						
C135	Band	intermediate	1	98-05	35810-30020	54700
BUSHINGS						
K13	Kit, bushing	A650E	1	98-05	AE	74236-50104
A140	Bushing	pump body	1	98-05	n/a	46001
A141	Bushing 17mm 21.561mm bore	pump support (front)	1	98-05	n/a	46007A
A142	Bushing	pump support (rear)	1	98-05	n/a	54002
A143	Bushing	overdrive direct housing	1	98-05	n/a	74236-51004
C147	Bushing	direct drum	1	98-05	n/a	74236-51504
F154	Bushing	sun gear (front)	1	98-05	n/a	74236-51904
F155	Bushing	sun gear (rear)	1	98-05	n/a	74236-51904
F158	Bushing	output hub (front)	1	98-05	n/a	74236-52304
F159	Bushing	output hub (rear)	1	98-05	n/a	74236-52304
WASHERS/BEARINGS/RACES/SHIMS						
A171	Race, thrust	pump support	1	98-05	n/a	74236-56104
A172	Bearing, thrust	pump support	1	98-05	n/a	74236-56204
B175	Washer, thrust	sprag in planetary	1	98-05	n/a	74236-56404
B176	Race, thrust (4-tabs)	overdrive planetary to ring gear hub	1	98-05	n/a	74236-56504
B177	Bearing, thrust	overdrive planetary to ring gear hub	1	98-05	n/a	74236-56604
B178	Race, thrust (4-tabs)	overdrive planetary to ring gear hub	1	98-05	n/a	74236-56704
B180	Race, thrust (4-tabs)	ring gear hub to support	1	98-05	n/a	74236-56904
B181	Bearing, thrust	ring gear hub to support	1	98-05	n/a	74236-56804
C183	Washer, thrust	support to direct drum	1	98-05	n/a	74236-57004
D185	Race, thrust	direct drum to forward housing	1	98-05	n/a	74236-57204
D186	Bearing, thrust	direct drum to forward housing	1	98-05	n/a	74236-57304
D187	Washer, thrust	direct drum to forward housing	1	98-05	n/a	74236-57104
D189	Race, thrust	forward hub to forward housing	1	98-05	n/a	74236-57904
D190	Bearing, thrust	forward hub to forward housing	1	98-05	n/a	74236-58004
D191	Race, thrust	forward hub to shell	1	98-05	n/a	74236-58104
D192	Bearing, thrust	forward hub to shell	1	98-05	n/a	74236-58204
D193	Race, thrust	forward hub to shell	1	98-05	n/a	74236-58304
D195	Washer, thrust	shell to 2nd clutch hub	1	98-05	n/a	74236-58404
E197	Washer, thrust	front planetary to support	1	98-05	n/a	74236-58604
E198	Washer, thrust	front planetary to support	1	98-05	n/a	74236-58904
F200	Washer, thrust	front planetary to rear planetary	1	98-05	n/a	74236-59004
F201	Washer, thrust	front planetary to rear planetary	1	98-05	n/a	74236-59104
F202	Race, thrust	rear planetary to rear hub	1	98-05	n/a	74236-59204
F203	Bearing, thrust	rear planetary to rear hub	1	98-05	n/a	74236-59304
F204	Race, thrust	rear planetary to rear hub	1	98-05	n/a	74236-59404
F206	Race, thrust	output shaft to rear hub	1	98-05	n/a	74236-59504
F207	Bearing, thrust	output shaft to rear hub	1	98-05	n/a	74236-59604

ILL	DESCRIPTION	QTY	YEAR	REFERENCE #	PART #
WASHERS/BEARINGS/RACES/SHIMS (CONTINUED)					
F208	Race, thrust output shaft to rear hub	1	98-05	n/a	74236-59704
F210	Bearing, thrust rear hub to sprag race	1	98-05	n/a	74236-59904
H214	Bearing, ball rear extension housing	1	98-05	n/a	74236-61504
SNAP RINGS					
A225	Snap ring overdrive direct clutch retainer	1	98-05	AE	74236-62103
A226	Snap ring overdrive direct clutch pressure plate	1	98-05	AE	74236-62203
B228	Snap ring sprag retainer plate	1	98-05	AE	74236-62403
B229	Snap ring overdrive ring gear hub	1	98-05	AE	74236-62603
B230	Snap ring overdrive clutch pressure plate	1	98-05	AE	74236-62803
B231	Snap ring overdrive clutch retainer	1	98-05	AE	74236-63003
C232	Snap ring center support	1	98-05	AE	74236-63203
C234	Snap ring direct clutch retainer	1	98-05	AE	74236-63303
C235	Snap ring direct clutch pressure plate	1	98-05	AE	74236-63503
D237	Snap ring forward clutch retainer	1	98-05	AE	74236-63803
D238	Snap ring forward clutch pressure plate	1	98-05	AE	74236-64003
D240	Snap ring sprag in hub	1	98-05	AE	74236-64103
D241	Snap ring sprag in hub	1	98-05	AE	74236-64103
E242	Snap ring 2nd clutch pressure plate	1	98-05	AE	74236-64203
E243	Snap ring support	1	98-05	AE	74236-64303
E245	Snap ring 2nd clutch retainer	1	98-05	AE	74236-64403
F247	Snap ring middle planetary to ring gear	1	98-05	AE	74236-64503
F248	Snap ring intermediate shaft to ring gear	1	98-05	AE	74236-64703
F250	Snap ring ring gear to hub	1	98-05	AE	74236-64903
G251	Snap ring low/reverse clutch pressure plate	1	98-05	AE	74236-65103
G252	Snap ring low/reverse retainer	1	98-05	AE	74236-65303
G253	Snap ring sprag in outer race	1	98-05	AE	74236-65503
G254	Snap ring sprag in outer race	1	98-05	AE	74236-65503
G255	Snap ring inner sprag race	1	98-05	AE	74236-65603
G256	Snap ring inner sprag race	1	98-05	AE	74236-65703
H260	Snap ring bearing in extension housing	1	98-05	AE	74236-65903
H263	Snap ring intermediate servo cover	1	98-05	AE	74236-66103
PUMP PARTS AND PUMPS					
A270	Pump assembly A650E	1	98-05	AE	74236-67003
HARD PARTS					
A275	Housing, overdrive direct A650E	1	98-05	AE	74236-72103
A276	Piston, overdrive direct housing A650E	1	98-05	AE	74236-72303
A277	Retainer, w/springs overdrive direct clutch	1	98-05	AE	74236-72503
B279	Plate, overdrive sprag A650E	1	98-05	AE	74236-72403
B282	Planetary, overdrive A650E	1	98-05	AE	74236-72803
B283	Gear, overdrive ring A650E	1	98-05	AE	74236-73003
B284	Hub, overdrive ring gear A650E	1	98-05	AE	74236-73103
C286	Retainer, w/springs overdrive clutch	1	98-05	AE	74236-73203
C287	Piston, overdrive direct clutch A650E	1	98-05	AE	74236-73403
C289	Support, overdrive A650E	1	98-05	AE	74236-73603
C290	Drum, direct clutch A650E	1	98-05	AE	74236-73903
C291	Piston, direct clutch A650E	1	98-05	AE	74236-74103
C292	Retainer, w/springs direct clutch	1	98-05	AE	74236-74203
C295	Plate, direct clutch spring A650E	1	98-05	AE	74236-74303
D297	Housing, forward clutch A650E	1	98-05	AE	74236-74503
D298	Piston, forward clutch A650E	1	98-05	AE	74236-74803
D299	Retainer, w/springs forward clutch	1	98-05	AE	74236-74903
D300	Plate, forward clutch spring A650E	1	98-05	AE	74236-75003
D302	Hub, forward clutch A650E	1	98-05	AE	74236-75203

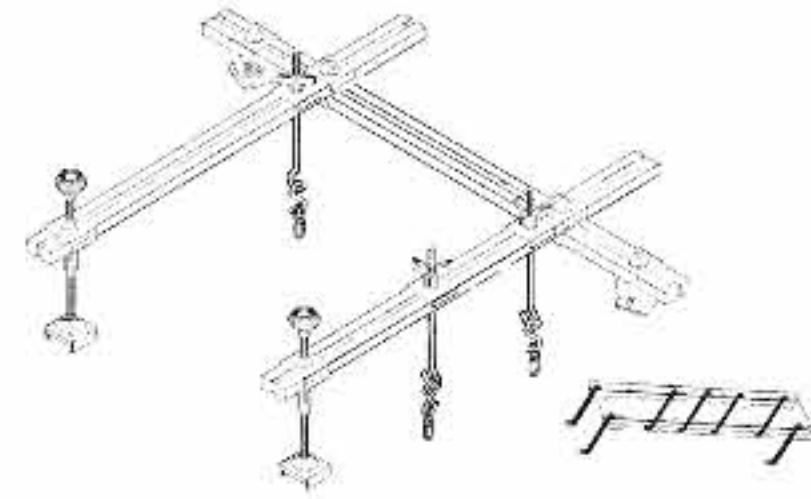
A650E•650

A650E

ILL	DESCRIPTION	QTY	YEAR	REFERENCE #	PART #	
HARD PARTS (CONTINUED)						
D303	Shell, drive	A650E	1	98-05	AE	74236-75503
D304	Hub, 2nd brake clutch	A650E	1	98-05	AE	74236-75803
E306	Retainer, 2nd brake clutch	A650E	1	98-05	AE	74236-76003
E307	Retainer, w/springs	2nd brake clutch	1	98-05	AE	74236-76103
E309	Piston, 2nd brake clutch	A650E	1	98-05	AE	74236-76203
E310	Housing, 2nd brake clutch	A650E	1	98-05	AE	74236-76403
E311	Piston, 3rd brake clutch	A650E	1	98-05	AE	74236-76603
E313	Planetary, front	A650E	1	98-05	AE	74236-76903
E314	Gear, sun	A650E (front/rear planetary)	1	98-05	AE	74236-77103
F316	Gear, front ring	A650E	1	98-05	AE	74236-77303
F317	Planetary, rear	A650E	1	98-05	AE	74236-77503
F318	Gear, rear ring	A650E	1	98-05	AE	74236-77703
F319	Shaft, intermediate	A650E	1	98-05	AE	74236-78103
F320	Gear, output planetary sun	A650E	1	98-05	AE	74236-78403
F321	Planetary, rear output shaft	A650E	1	98-05	AE	74236-78703
F323	Gear, output ring	A650E	1	98-05	AE	74236-78903
F324	Hub, output ring gear	A650E	1	98-05	AE	74236-79103
G326	Retainer, w/springs	low/reverse clutch	1	98-05	AE	74236-79303
G328	Piston, low/reverse clutch	A650E	1	98-05	AE	74236-79403
G329	Piston, low/reverse clutch	A650E (middle)	1	98-05	AE	74236-79503
G330	Piston, low/reverse clutch	A650E (inner)	1	98-05	AE	74236-79603
G331	Spring, diaphragm	low/reverse clutch	1	98-05	AE	74236-79703
G332	Race, outer sprag	A650E	1	98-05	AE	74236-79803
G334	Race, inner sprag	A650E	1	98-05	AE	74236-79903
H335	Housing, front	A650E	1	98-05	AE	74236-80503
H337	Housing, main case	A650E	1	98-05	AE	74236-80603
H340	Housing, rear extension	A650E	1	98-05	AE	74236-83503
H348	Piston, intermediate	A650E	1	98-05	AE	74236-81503
H370	Valve body w/solenoids	A650E	1	98-05	AE	74236-82003
n/i	Shaft, shift	A650E	1	98-05	AE	74236-80703
n/i	Cone, rooster	A650E	1	98-05	AE	74236-80903
n/i	Rod, park	A650E	1	98-05	AE	74236-81003
n/i	Spring, park pawl	A650E	1	98-05	AE	74236-81103
n/i	Pawl, park	A650E	1	98-05	AE	74236-81203
n/i	Pin, park pawl	A650E	1	98-05	AE	74236-81303
n/i	Yoke, rear	A650E	1	98-05	AE	74236-84003
n/i	Nut, rear yoke	A650E	1	98-05	AE	74236-84203
ELECTRICAL COMPONENTS						
H380	Solenoid, shift	(S4)	1	98-05	n/a	74236-86004
H381	Solenoid, shift	(S2)	1	98-05	n/a	74236-86104
H382	Solenoid, shift	(SLT)	1	98-05	n/a	74236-85504
H383	Solenoid, shift	(SLU)	1	98-05	n/a	74236-85704
H384	Solenoid, shift	(SLN)	1	98-05	n/a	74236-85604
H385	Solenoid, shift	shift (S3)	1	98-05	n/a	74236-85804
H386	Solenoid, shift	shift (S1)	1	98-05	n/a	74236-85904
SPRAGS						
B395	Sprag, overdrive	A650E	1	98-05	n/a	74236-94004
D397	Sprag, #1	A650E	1	98-05	n/a	74236-94104
G399	Sprag, rear	A650E	1	98-05	n/a	74236-94204
NOTES						

T-1256 Parts List

The Ultimate Engine Hanger



012-128 front leg (2)



012-127 2-link chain (3)



012-115 bottom bracket w/nut (2)



012-116 shock tower bracket (2)



012-120 s-hook (3)



012-118 j-hook (3)



012-019 shock tower adapter (2)



012-111 3" 1/2" thread bolt (2)



012-112 2" 1/2" thread bolt (2)



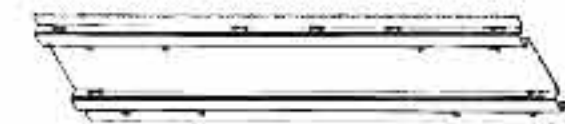
012-126 top support bracket (9)



012-125 lower front leg bracket (2)



012-124 thrust bearing (3)



012-121 wall hanger (1)



012-109 square poly plug (12)



012-110 1/2" flat washer (6)



012-123 front leg rubber pad (2)



012-114 1/2" jam nut (2)



012-108 wall hanger peg (7)



012-117 j-hook handle (3)



012-113 1/2" hex nut (2)



012-106 side cross bar (2)

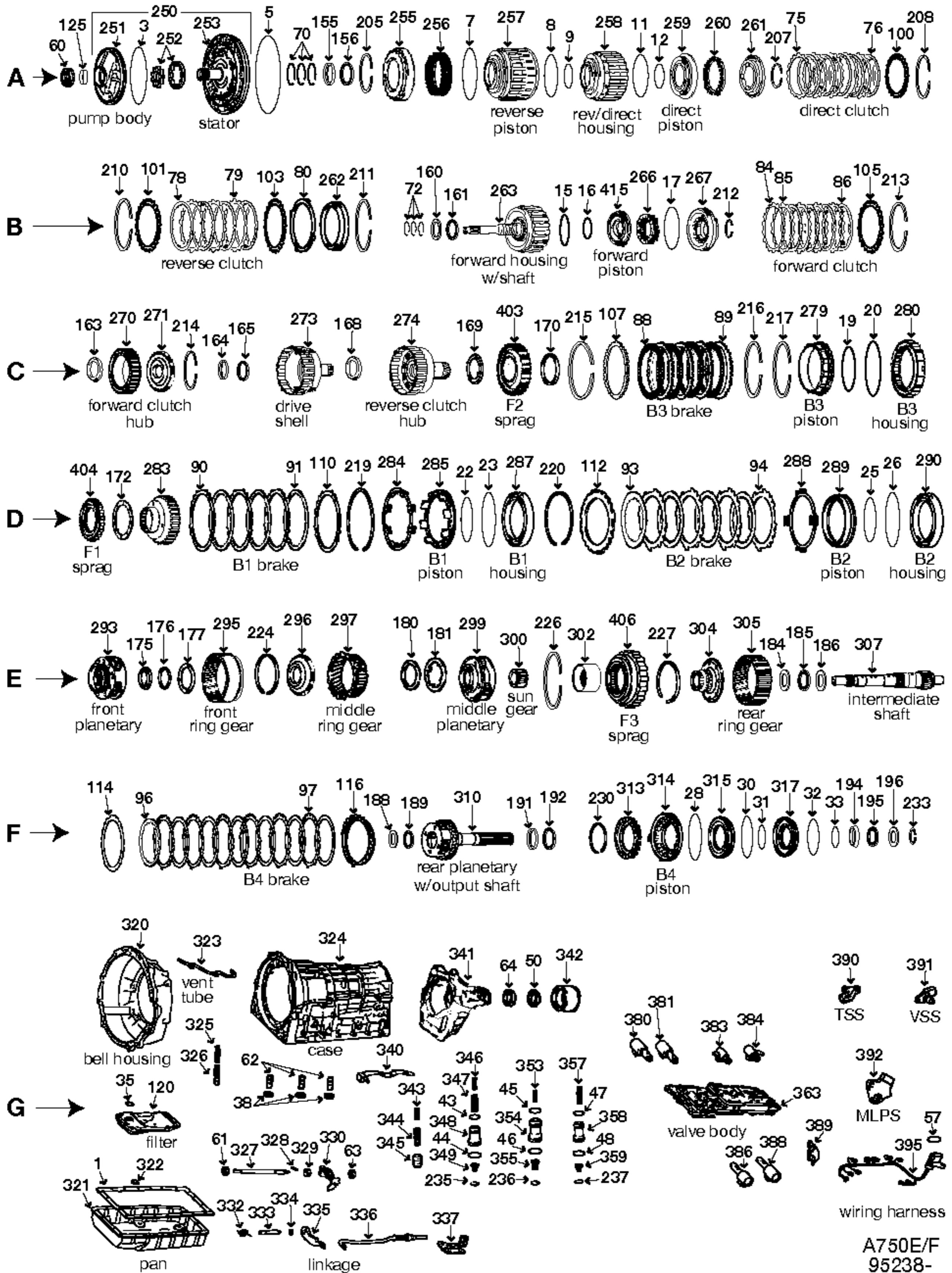


012-122 front leg handle (2)



012-107 cross bar (1)

all parts are sold separately



A750E/F
95238-

ILL	DESCRIPTION	QTY	YEAR	REFERENCE #	PART #
TECHNICAL MANUALS					
K53	Tech manual-covers A750E dis/assembly diagnosis & troubleshooting	51	03-11	A750ETM	010-491
REBUILDER KITS					
K4	Master deluxe rebuild kit A750E	1	03-11	AE	95238-10104
K5	Master kit w/steels A750E	1	03-11	AE	95238-11104
K6	Master kit w/o steels A750E	1	03-11	AE	95238-12104
K7	O/H gasket set w/seals-rings A750E	1	03-11	DP/2443	95238-13104
VALVE BODY KITS					
K15	Kit, valve body repair A750E	1	03-11	n/a	95238-17009
GASKETS AND RUBBER COMPONENTS					
G1	Gasket, pan (cork/rubber) A750E	1	03-11	35168-60010	95238-18104
G1	Gasket, pan Duraprene® A750E	1	03-11	35168-60010	95238-19104
A3	O'ring pump body to support	1	03-11	90301-99148	95238-21104
A5	O'ring pump support to case	1	03-11	90301-99139	95238-21204
G35	O'ring filter to valve body	1	03-11	90301-31014	95238-24004
G57	O'ring electrical connector	1	03-11	90301-21009	13822
n/i	Gasket, valve body upper A750E (yellow stripe)	1	03-11	FDB36263	95238-28704
n/i	Gasket, valve body lower A750E (blue stripe)	1	03-11	FDB36264	95238-28904
METAL CLAD SEALS					
A60	Seal, metal clad front seal	1	03-11	90311-38083	46200
G61	Seal, metal clad 12x22x7mm shift shaft	1	03-11	90311-12002	46202
G64	Seal, metal clad rear extension housing	1	03-11	90311-40001	42201
G64	Seal, metal clad Lexus LX470/Landcruiser	1	03-11	90311-48011	54158
n/i	Seal, metal clad case to adapter	1	03-11	90311-48010	77204
n/i	Seal, metal clad case to adapter	1	07-11	90311-51008	84210
n/i	Seal, metal clad case to adapter	1	03-11	90311-43007	95238-30604
SEALING RINGS					
K10	Kit, sealing ring A750E/A761E	1	03-11	FDB3491	95238-31604
A70	Sealing ring stator to front clutch	3	03-11	35617-60020	95238-33504
B72	Sealing ring input shaft	4	03-11	35712-60010	74236-33804
CLUTCH PLATES					
A75	Steel .071" 5.866" id 24T direct clutch (C2)	5	03-11	APC-173740-150	95238-37604
A76	Friction .059" 6.372" od 36T direct clutch (C2)	5	03-11	35667-60020	95238-35104
B78	Friction .059" 6.372" od 40T reverse clutch (C3)	5	03-11	35677-60010	95238-35204
B79	Steel .095" 5.866" id 24T reverse clutch (C3)	4	03-11	35648-60010	95238-37704
B80	Steel, waved plate reverse clutch	1	03-11	n/a	95238-40204
B84	Steel, waved plate forward clutch (C1)	1	03-11	n/a	95238-40304
B85	Steel .071" 4.173" id 24T forward clutch (C1)	5	03-11	35634-60020	95238-37904
B86	Friction .075" 4.712" od 30T forward clutch (C1)	6	03-11	35633-60070	95238-35404
C88	Friction .074" 6.439" od 40T intermediate clutch (B3)	4	03-11	35693-60010	95238-35604
C89	Steel .079" 5.194" id 16T intermediate clutch (B3)	4	03-11	35683-60010	95238-38104
D90	Steel .094" 5.527" id 13T underdrive clutch (B1)	3	03-11	35691-60010	95238-38304
D91	Friction .072" 6.233" od 40T underdrive clutch (B1)	3	03-11	35681-60010	95238-35804
D93	Friction .061" 5.444" od 40T overdrive clutch (B2)	3	03-11	35682-60010	95238-36004
D94	Steel .079" 4.530" id 13T overdrive clutch (B2)	3	03-11	35692-60010	95238-38504
F96	Friction .061" 5.528" od 48T low/reverse clutch (B4)	8	03-11	35684-60010	95238-36204
F97	Steel .071" 4.922" id 13T low/reverse clutch (B4)	7	03-11	35694-60010	95238-38704
PRESSURE PLATES					
A100	Pressure plate direct clutch (C2)	1	03-11	AE	95238-41103
B101	Pressure plate reverse clutch (C3)	1	03-11	AE	95238-41303
B103	Pressure plate (apply) reverse clutch (C3)	1	03-11	AE	95238-41403
B105	Pressure plate forward clutch (C1)	1	03-11	AE	95238-41603
C107	Pressure plate intermediate clutch (B3)	1	03-11	AE	95238-41903
D110	Pressure plate underdrive clutch (B1)	1	03-11	AE	95238-42303

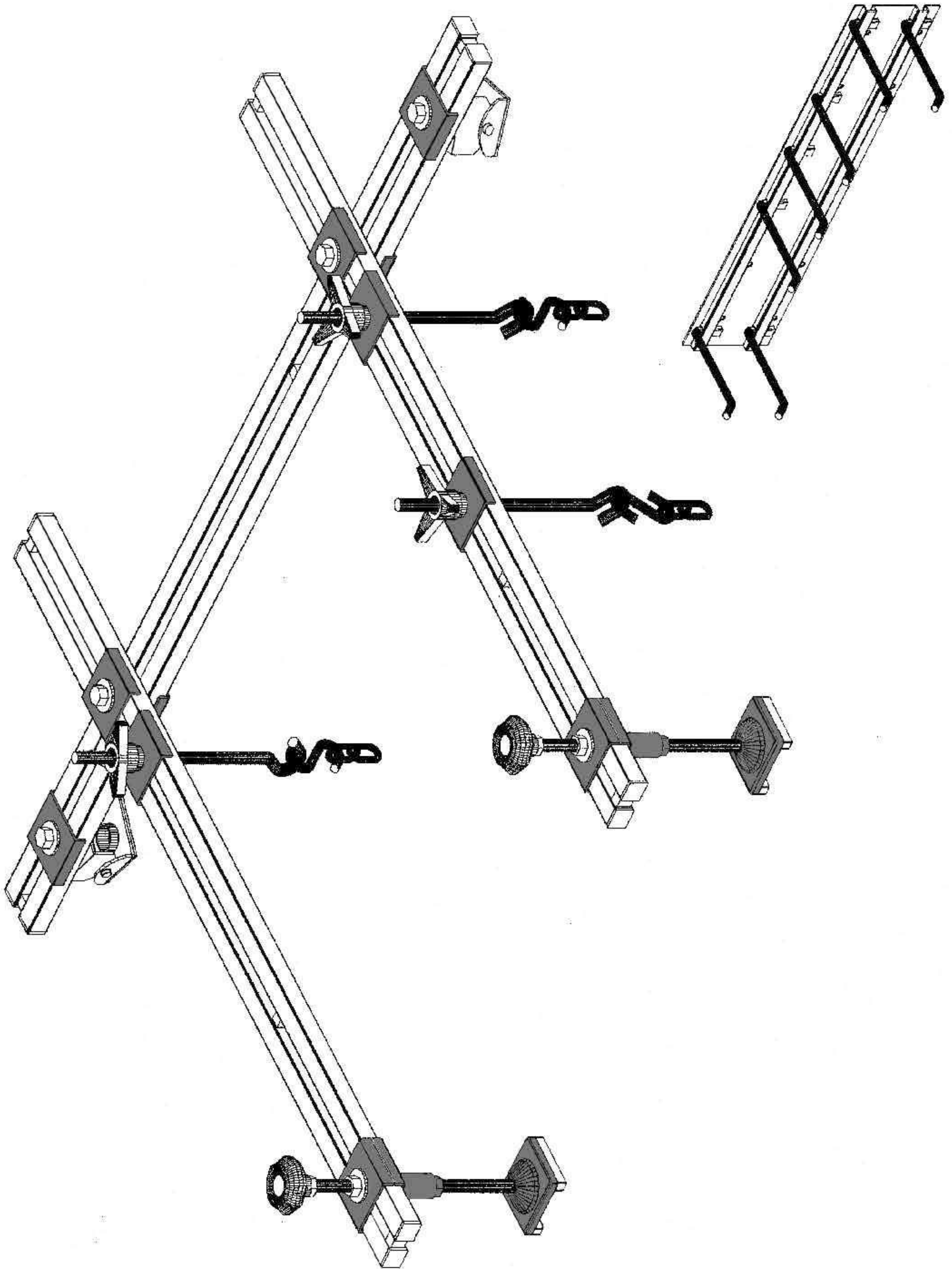
ILL	DESCRIPTION		QTY	YEAR	REFERENCE #	PART #
PRESSURE PLATES (CONTINUED)						
D112	Pressure plate	overdrive clutch (B2)	1	03-11	AE	95238-42603
F114	Pressure plate	low/reverse clutch (B4)	1	03-11	AE	95238-43003
F116	Pressure plate (apply)	low/reverse clutch (B4)	1	03-11	AE	95238-43203
FILTERS						
K9	Kit, filter	A750E/F	1	03-11	AE	95238-43504
K9	Kit, filter w/@Durprene	A750E/F	1	03-11	AE	95238-44004
G120	Filter, oil screen	A750E/F	1	03-11	35330-60050	95238-45104
BUSHINGS						
A125	Bushing	pump body	1	03-11	n/a	46001
WASHERS/BEARINGS/RACES/SHIMS						
A155	Race, thrust	stator to reverse housing	1	03-11	n/a	95238-56204
A156	Bearing, thrust	stator to reverse housing	1	03-11	n/a	95238-56304
B160	Race, thrust	forward housing to direct housing	1	03-11	n/a	95238-56604
B161	Bearing, thrust	forward housing to direct housing	1	03-11	n/a	95238-56704
C163	Bearing, thrust	forward housing to hub	1	03-11	n/a	95238-56904
C164	Race, thrust	hub to shell	1	03-11	n/a	95238-57104
C165	Bearing, thrust	hub to shell	1	03-11	n/a	95238-57304
C168	Bearing, thrust	shell to reverse hub	1	03-11	n/a	95238-57504
C169	Washer, thrust	reverse hub to F2 sprag	1	03-11	n/a	95238-57704
C170	Washer, thrust	F2 sprag to F1 sprag	1	03-11	n/a	95238-57704
D172	Washer, thrust	F1 sprag to B1 hub	1	03-11	n/a	95238-57904
E175	Race, thrust	front planetary to sun gear	1	03-11	n/a	95238-58104
E176	Bearing, thrust	front planetary to sun gear	1	03-11	n/a	95238-58204
E177	Washer, thrust	front planetary to hub	1	03-11	n/a	95238-58304
E180	Bearing, thrust	middle planetary to ring gear hub	1	03-11	n/a	95238-58504
E181	Washer, thrust	middle planetary to ring gear hub	1	03-11	n/a	95238-58604
E184	Race, thrust	rear hub to intermediate shaft	1	03-11	n/a	95238-58704
E185	Bearing, thrust	rear hub to intermediate shaft	1	03-11	n/a	95238-58804
E186	Race, thrust	rear hub to intermediate shaft	1	03-11	n/a	95238-58904
F188	Race, thrust	rear planetary to sun gear	1	03-11	n/a	95238-59204
F189	Bearing, thrust	rear planetary to sun gear	1	03-11	n/a	95238-59304
F191	Race, thrust	rear planetary	1	03-11	n/a	95238-59404
F192	Bearing, thrust	rear planetary	1	03-11	n/a	95238-59504
F194	Race, spacer (sleeve)	output shaft	1	03-11	n/a	95238-59604
F195	Bearing, thrust	output shaft	1	03-11	n/a	95238-59704
F196	Race, thrust	output shaft	1	03-11	n/a	95238-59804
SNAP RINGS						
A205	Snap ring	reverse clutch retainer	1	03-11	AE	95238-62203
A207	Snap ring	direct clutch retainer	1	03-11	AE	95238-62303
A208	Snap ring	direct clutch pressure plate	1	03-11	AE	95238-62403
B210	Snap ring	reverse clutch pressure plate	1	03-11	AE	95238-62803
B211	Snap ring	reverse piston in housing	1	03-11	AE	95238-63003
C212	Snap ring	forward clutch retainer	1	03-11	AE	95238-63203
B213	Snap ring	forward clutch pressure plate	1	03-11	AE	95238-63303
C214	Snap ring	forward clutch hub	1	03-11	AE	95238-63503
C215	Snap ring	intermediate clutch (B3) pressure plate	1	03-11	AE	95238-63603
C216	Snap ring	intermediate clutch (B3) piston	1	03-11	AE	95238-63803
C217	Snap ring	intermediate clutch (B3) housing	1	03-11	AE	95238-64003
D219	Snap ring	underdrive clutch pressure plate	1	03-11	AE	95238-64203
D220	Snap ring	underdrive clutch retainer	1	03-11	AE	95238-64503
E224	Snap ring	front ring gear hub	1	03-11	AE	95238-64703
E226	Snap ring	F3 sprag	1	03-11	AE	95238-64803
E227	Snap ring	rear ring gear hub	1	03-11	AE	95238-65103

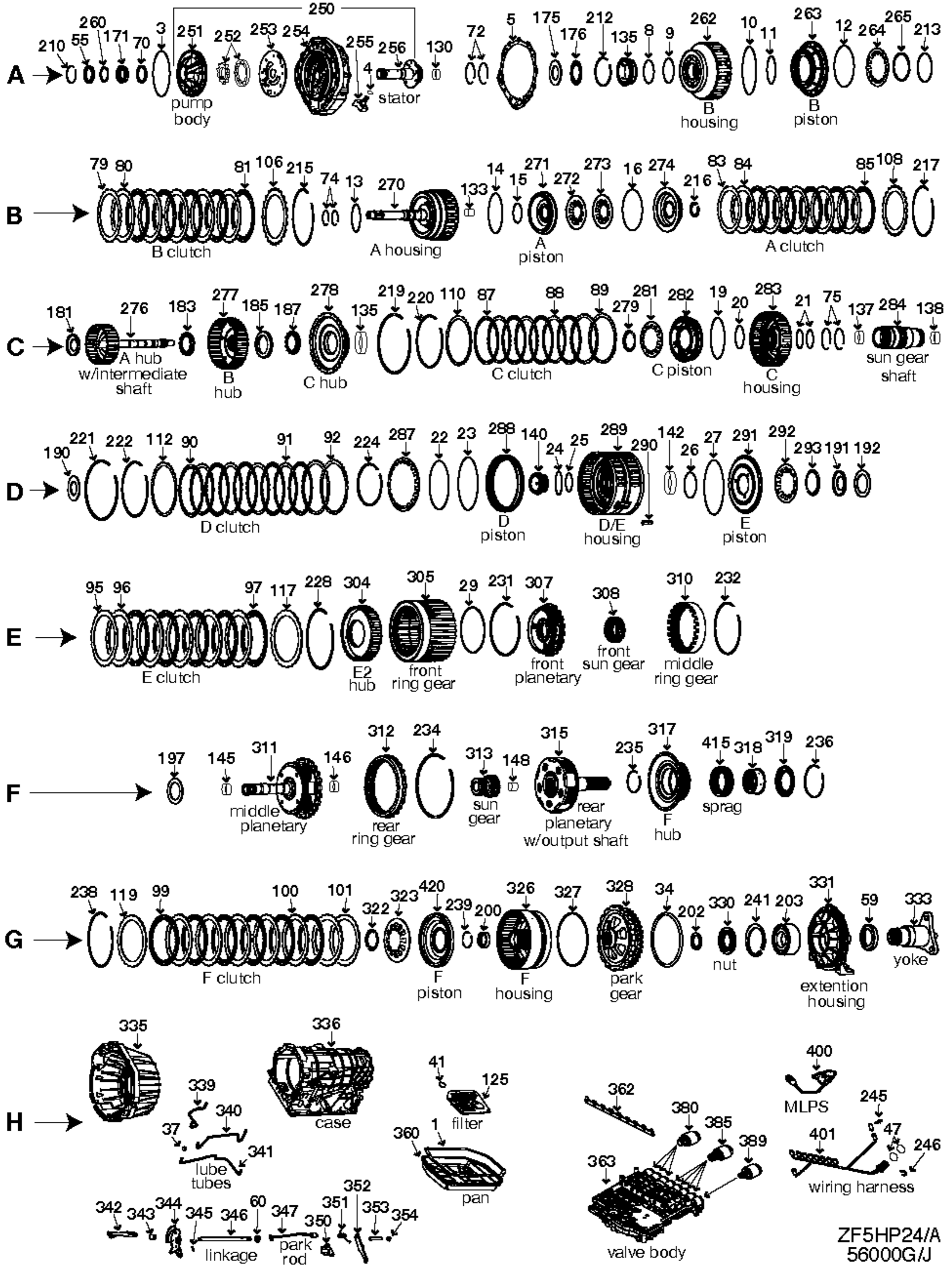
ILL	DESCRIPTION	QTY	YEAR	REFERENCE #	PART #
SNAP RINGS (CONTINUED)					
F230	Snap ring low/reverse clutch (B4) retainer	1	03-11	AE	95238-65503
F233	Snap ring output shaft	1	03-11	AE	95238-65703
PUMP PARTS AND PUMPS					
A250	Pump assembly A750E/F	1	03-11	AE	95238-67003
A251	Body, pump w/gears A750E/F	1	03-11	AE	95238-67503
A252	Gears, pump (inner/outer) A750E/F	1	03-11	n/a	95238-68104
A253	Stator, pump w/shaft A750E/F	1	03-11	AE	95238-68503
HARD PARTS					
A255	Retainer, reverse clutch A750E/F	1	03-11	AE	95238-72103
A256	Retainer, w/springs reverse clutch	1	03-11	AE	95238-72203
A257	Piston, reverse clutch A750E/F	1	03-11	AE	95238-72303
A258	Housing, reverse/direct clutch A750E/F	1	03-11	AE	95238-72603
A259	Piston, direct clutch A750E/F	1	03-11	AE	95238-72903
A260	Retainer, w/springs direct clutch	1	03-11	AE	95238-73003
A261	Retainer, direct clutch A750E/F	1	03-11	AE	95238-73103
B262	Spacer, reverse clutch A750E/F	1	03-11	AE	95238-73403
B263	Housing, forward clutch w/shaft A750E/F	1	03-11	AE	95238-73503
B266	Retainer, w/springs forward clutch	1	03-11	AE	95238-73803
B267	Piston, forward clutch A750E/F	1	03-11	AE	95238-73903
C270	Hub, forward clutch A750E/F	1	03-11	AE	95238-74203
C271	Hub, forward A750E/F	1	03-11	AE	95238-74303
C273	Shell, drive A750E/F	1	03-11	AE	95238-74503
C274	Hub, reverse clutch A750E/F	1	03-11	AE	95238-74603
C279	Piston, intermediate clutch (B3) A750E/F	1	03-11	AE	95238-74903
C280	Housing, intermediate clutch (B3) A750E/F	1	03-11	AE	95238-75003
D283	Hub, underdrive clutch (B1) A750E/F	1	03-11	AE	95238-75303
D284	Retainer, w/springs underdrive clutch (B1)	1	03-11	AE	95238-75503
D285	Piston, underdrive clutch (B1) A750E/F	1	03-11	AE	95238-75603
D287	Housing, underdrive clutch (B1) A750E/F	1	03-11	AE	95238-75703
D288	Retainer, w/springs overdrive clutch (B2)	1	03-11	AE	95238-75803
D289	Piston, overdrive clutch (B2) A750E/F	1	03-11	AE	95238-75903
D290	Housing, overdrive clutch (B2) A750E/F	1	03-11	AE	95238-76003
E293	Planetary, front A750E/F	1	03-11	AE	95238-76203
E295	Gear, front ring A750E/F	1	03-11	AE	95238-76503
E296	Hub, front ring gear A750E/F	1	03-11	AE	95238-76803
E297	Gear, middle ring A750E/F	1	03-11	AE	95238-77003
E299	Planetary, middle A750E/F	1	03-11	AE	95238-77303
E300	Gear, sun A750E/F	1	03-11	AE	95238-77603
E302	Race, inner sprag (F3) A750E/F	1	03-11	AE	95238-77703
E304	Hub, rear ring gear A750E/F	1	03-11	AE	95238-77803
E305	Gear, rear ring A750E/F	1	03-11	AE	95238-78003
E307	Shaft, intermediate A750E/F	1	03-11	AE	95238-78303
F310	Shaft, output w/planetary (slip yoke) A750E/F (2WD)	1	03-11	AE	95238-78503
F310	Shaft, output w/planetary A750E/F (4WD)	1	03-11	AE	95238-78603
F310	Shaft, output w/planetary (bolt on yoke) A750E/F (2WD)	1	03-11	AE	95238-78703
F313	Retainer, w/springs low/reverse clutch (B4)	1	03-11	AE	95238-78803
F314	Piston, low/reverse clutch (B4) A750E/F (outer)	1	03-11	AE	95238-78903
F315	Piston, low/reverse clutch (B4) A750E/F (middle)	1	03-11	AE	95238-79104
F317	Piston, low/reverse clutch (B4) A750E/F (inner)	1	03-11	AE	95238-79204
F320	Housing, front A750E/F	1	03-11	AE	95238-80103
G321	Pan, bottom A750E/F	1	05-11	AE	95238-80503
F324	Housing, main case A750E/F	1	03-11	AE	95238-81003
G327	Shaft, shift A750E/F	1	03-11	AE	95238-81603

A750E•A750F•750

A750E•F

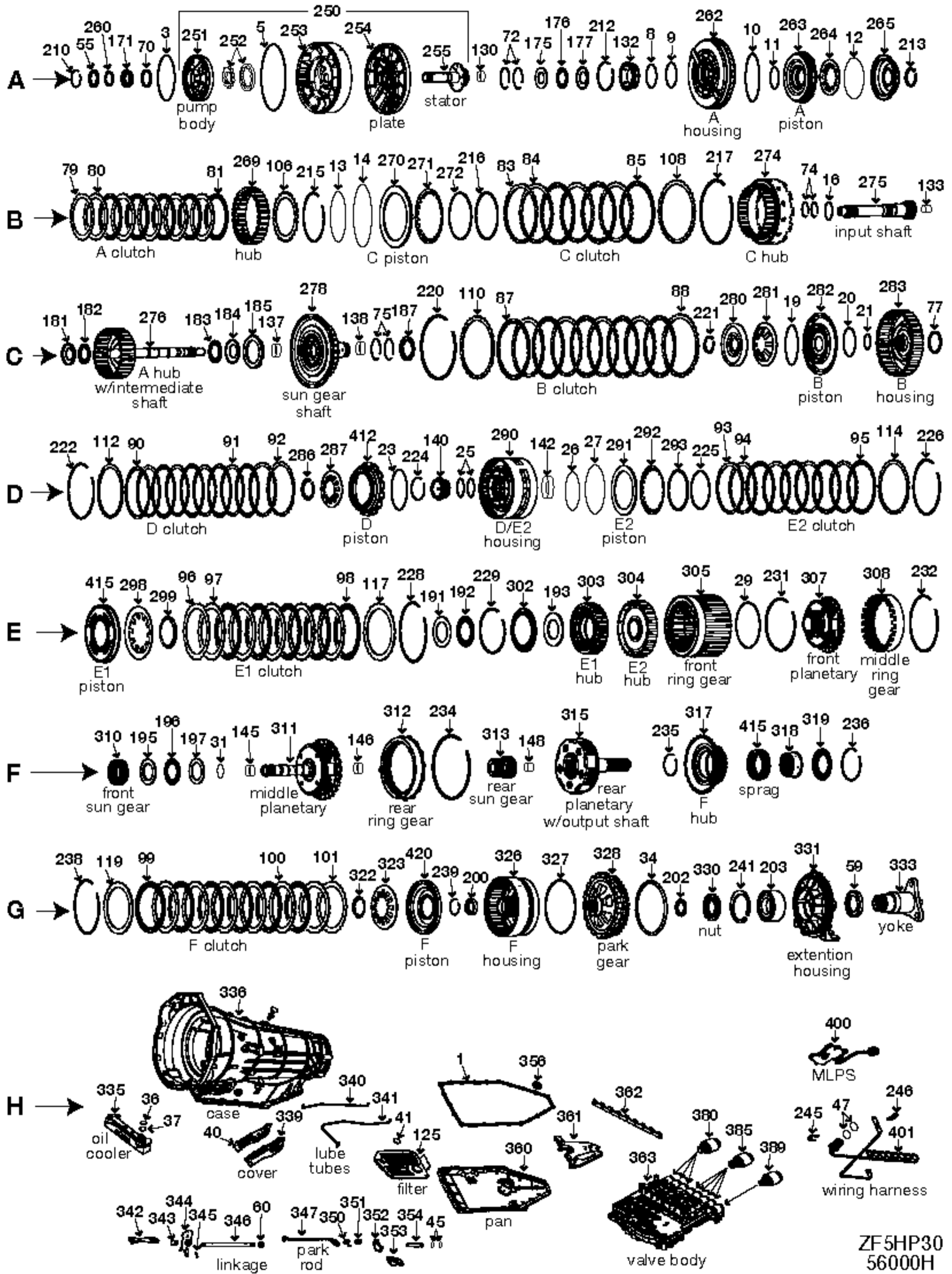
ILL	DESCRIPTION		QTY	YEAR	REFERENCE #	PART #
HARD PARTS (CONTINUED)						
G332	Spring, park pawl	A750E/F	1	03-11	AE	95238-82003
G333	Pin, park pawl	A750E/F	1	03-11	AE	95238-82103
G335	Pawl, park	A750E/F	1	05-11	AE	95238-82203
G336	Rod, park	A750E/F	1	03-11	AE	95238-82303
G341	Housing, extension (w/slip yoke)	A750E/F (2WD)	1	03-11	AE	95238-83003
G341	Housing, extension (adapter)	A750E/F (4WD)	0	03-11	AE	95238-83103
G341	Housing, extension (w/bolt on yoke)	A750E/F (2WD)	1	03-11	AE	95238-83203
G363	Valve body w/solenoids	A750E/F	1	03-11	AE	95238-84003
ELECTRICAL COMPONENTS						
G380	Solenoid	A750E/F	1	03-11	n/a	95238-85504
G381	Solenoid	A750E/F	1	03-11	n/a	95238-85604
G383	Solenoid	A750E/F	1	03-11	n/a	95238-85704
G384	Solenoid	A750E/F	1	03-11	n/a	95238-85804
G386	Solenoid	A750E/F	1	03-11	n/a	95238-85904
G388	Solenoid	A750E/F	1	03-11	n/a	95238-86004
G389	Solenoid	A750E/F	1	03-11	n/a	95238-86104
G390	Sensor, turbine speed (TSS)	A750E/F	1	03-11	n/a	95238-86204
G391	Sensor, vehicle speed (VSS)	A750E/F	1	03-11	n/a	95238-86304
G392	Switch, neutral start (MLPS)	A750E/F	1	03-11	n/a	95238-86404
G395	Harness, wiring (internal)	A750E/F	1	03-11	n/a	95238-86504
SPRAGS						
C403	Sprag, F2	A750E/F	1	03-11	n/a	95238-94004
C403	Sprag, F2	A750E/F	1	03-11	AE	95238-94003
D404	Sprag, F1	A750E/F	1	03-11	n/a	95238-94104
D404	Sprag, F1	A750E/F	1	03-11	AE	95238-94103
E406	Sprag, F3	A750E/F	1	03-11	n/a	95238-94204
E406	Sprag, F3	A750E/F	1	03-11	AE	95238-94203
BONDED PISTONS						
B415	Piston, bonded rubber	forward clutch (balance)	1	03-11	n/a	95238-96504
NOTES						





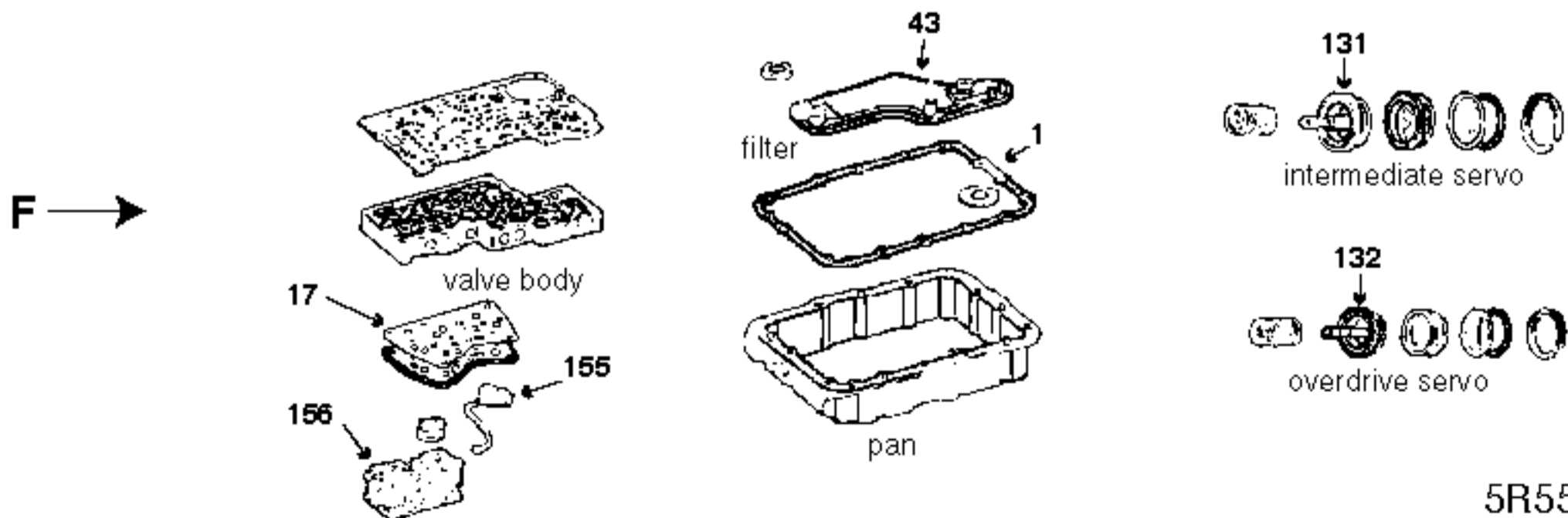
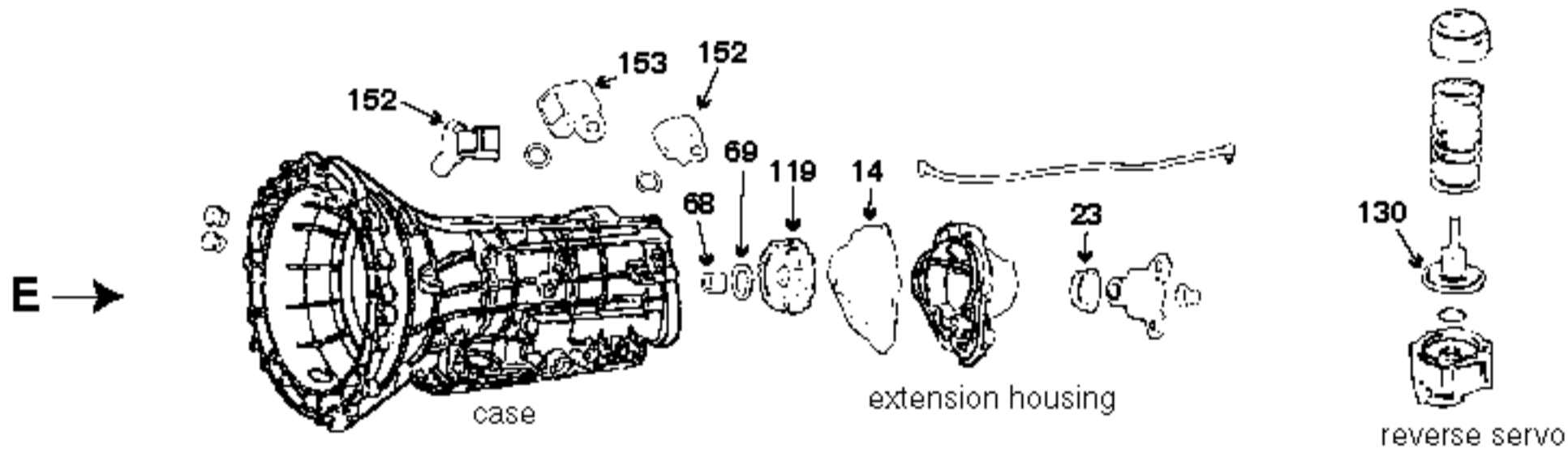
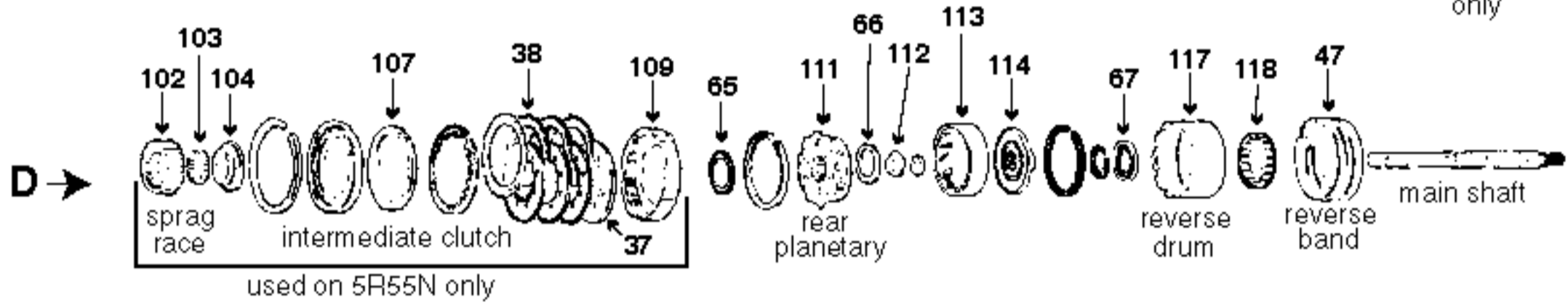
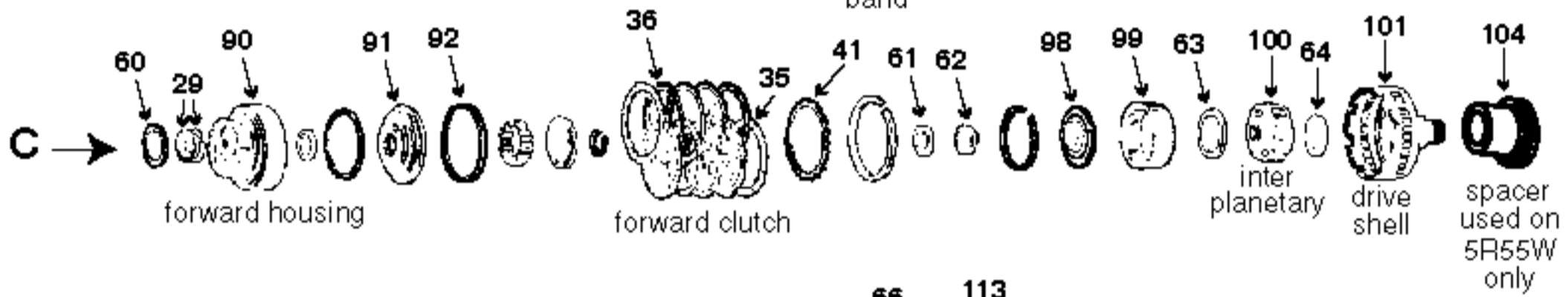
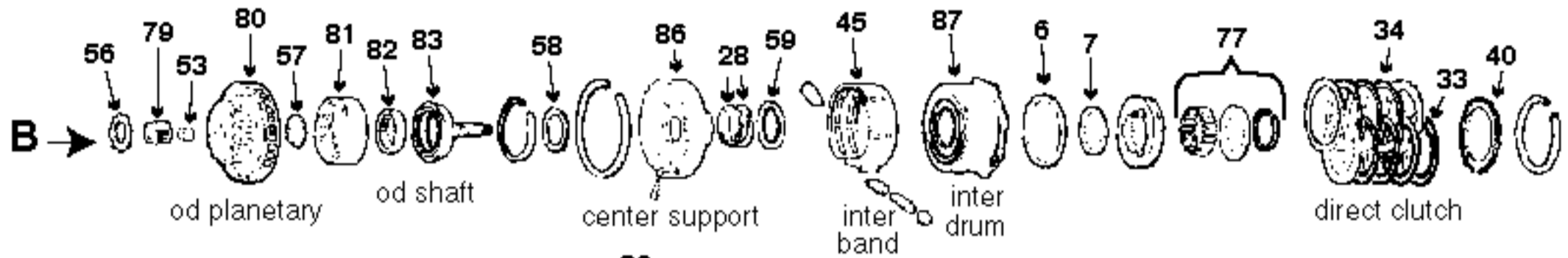
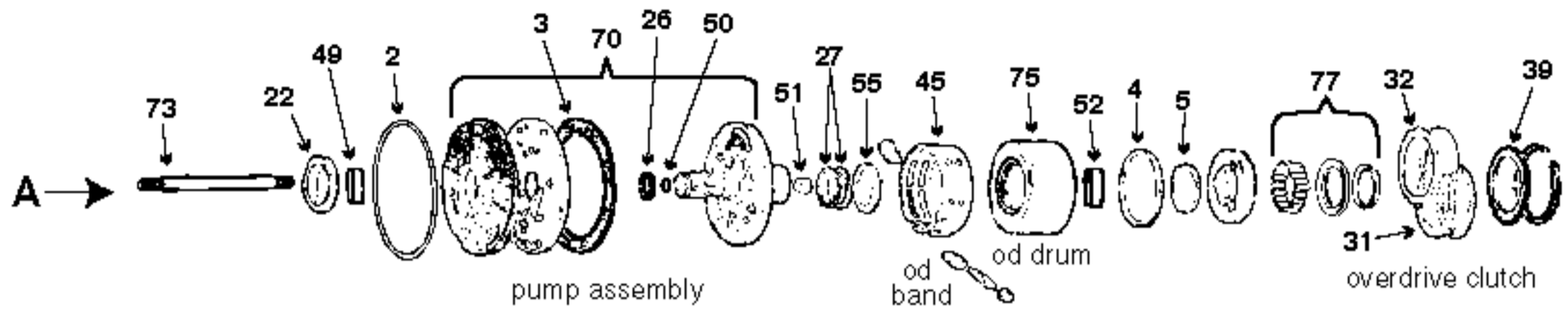
ZF5HP24/A
56000G/J

ILL	DESCRIPTION	QTY	YEAR	REFERENCE #	PART #	
REBUILDER KITS						
K5	Master kit w/steels	5HP24/A/22 w/o piston	1	95-04	AE	K5600G
K5	Master kit w/steels	5HP24/A/22 w/piston	1	95-04	AE	K5600J
K6	Master kit w/o steels	5HP24/A/22 w/o piston	1	95-04	AE	K5600G-LS
K6	Master kit w/o steels	5HP24/A/22 w/piston	1	95-04	AE	K5600J-LS
K7	O/H gasket set w/seals-rings	5HP24/A/22 w/o piston	1	95-04	AE	K56900G
K7	O/H gasket set w/seals-rings	5HP24/A/22 w/piston	1	95-04	AE	K56900J
GASKETS AND RUBBER COMPONENTS						
H1	Gasket, oil pan	RWD	1	95-04	24-11-1-422-676	13665
H1	Gasket, oil pan	AWD	1	95-04	1058-303-015	13670
H41	O'ring	ZF5HP24A	1	95-04	0734-313-181	23067
METAL CLAD SEALS						
A55	Seal, metal clad 40x52x7mm	front	1	95-04	0750-111-254	56200D
G59	Seal, metal clad	BMW/Jaguar (extension housing (2WD)	1	98-03	0750-11-243	56205
G59	Seal, metal clad	left outer extension (4WD)	1	55-04	0734-310-342	56206
G59	Seal, metal clad	right inner extension (4WD)	1	95-04	0734-319-604	56207
G59	Seal, metal clad	right inner extension (4WD)	1	95-04	0734-319-419	56209
n/i	Seal, metal clad	front differential (4WD)	1	95-04	0734-319-529	56210
n/i	Seal, metal clad	rear output (4WD)	1	95-04	0734-319-399	56211
n/i	Seal, metal clad	adapter housing (4WD)	1	95-04	0734-319-547	56212
n/i	Seal, metal clad	adapter housing (4WD)	1	02-04	0734-319-520	56213
n/i	Seal, metal clad	Range Rover (front input)	1	95-04	0734-319-520	56213
SEALING RINGS						
K10	Kit, sealing ring	ZF5HP24	1	95-04	n/a	K56300G
CLUTCH PLATES						
B80	Steel .118" 6.100" id 30T	(B) clutch	6	95-04	1058-370-050	56111
B81	Friction .061" 7.025" od 30T	(B) clutch	6	95-04	1058-270-025	56106C
B85	Friction .061" 5.042" od 40T	(A) clutch	6	95-04	1043-230-009	56106B
B84	Steel .082" 4.212" id 24T	(A) clutch	6	95-04	1058-370-053	56110
C87	Friction .061" 5.042" od 40T	(C) clutch	4	95-04	1043-230-009	56106B
C88	Steel .082" 4.212" id 24T	(C) clutch	4	95-04	1058-370-053	56110
D90	Friction .061" 7.025" od 30T	(D) clutch	6	95-04	1058-270-025	56106C
D91	Steel .118" 6.100" id 30T	(D) clutch	1	95-04	1058-370-050	56111
E96	Steel .118" 6.100" id 30T	(E) clutch	5	95-04	1058-370-050	56111
E97	Friction .061" 7.025" od 30T	(E) clutch	5	95-04	1058-270-025	56106C
G99	Friction .062" 5.627" od 30T	(F) clutch	6	95-06	1055-270-072	56106D
G100	Steel .071" 4.685" id 24T	(F) clutch	6	95-06	1055-374-030	56114
n/i	Steel .083" 6.100" id 30T	(B)/(D)/(E) clutch	sel	95-06	1058-370-050-083	56112
n/i	Steel .095" 6.100" id 30T	(B)/(D)/(E) clutch	sel	95-06	1058-370-050-095	56113
FILTERS						
K9	Kit, filter	ZF5HP24	1	95-04	AE	FK56800K
K9	Kit, filter	ZF5HP24A	1	95-04	AE	FK56800L
H125	Filter, oil	ZF5HP24	1	95-04	24-34-1-422-673	56800K
H125	Filter, oil	ZF5HP24A	1	95-04	01L-325-429	56800L
PUMP PARTS AND PUMPS						
A250	Pump assembly	ZF5HP24	1	95-04	AE	56200G-R
A250	Pump assembly	ZF5HP24A	1	99-04	AE	56200J-R
HARD PARTS						
H363	Valve body w/solenoids	ZF5HP24	1	95-04	AE	56785-R
BONDED PISTONS						
G420	Piston, bonded rubber	(F) clutch	1	95-04	n/a	87501
NOTES						



ZF5HP30
56000H

ILL	DESCRIPTION		QTY	YEAR	REFERENCE #	PART #
REBUILDER KITS						
K5	Master kit w/steels	5HP30 (w/o pistons)	1	91-01	AE	K5600H
K6	Master kit w/o steels	5HP30 (w/o pistons)	1	91-01	AE	K5600H-LS
K7	O/H gasket set w/seals-rings	5HP30 (w/o pistons)	1	91-01	AE	K56900H
GASKETS AND RUBBER COMPONENTS						
H1	Gasket, pan	fiber	1	91-01	24-11-1-211-400	13672
H41	O'ring	filter	1	91-01	0734-313-181	23067
METAL CLAD SEALS						
A55	Seal, metal clad 40x52x7mm	front	1	91-01	24-31-1-207-433	56200D
G59	Seal, metal clad	extension housing	1	91-01	n/a	56205
H60	Seal, metal clad	shift shaft	1	91-01	n/a	56208
SEALING RINGS						
K10	Kit, sealing ring	ZF5HP30	1	91-01	n/a	K56300H
CLUTCH PLATES						
B79	Steel .032" 5.905" id 24T (waved)	(A) clutch forward	1	91-01	1055-370-088	56117
B80	Steel .120" 4.690" id 24T	(A) clutch forward	5	91-01	1055-370-003	56115
B81	Friction .063" 5.627" od 30T	(A) clutch forward	5	91-01	1055-270-030	56106E
B83	Steel .035" 5.905" id 24T (waved)	(C) intermediate clutch	1	91-01	1055-372-008	56119
B84	Steel .120" 7.170" id 32T	(C) intermediate clutch	3	91-01	1055-371-003	56118
B85	Friction .063" 8.007" od 30T	(C) intermediate clutch	3	91-01	1055-271-025	56106F
C87	Friction .063" 8.007" od 30T	(B) direct clutch	5/6	91-01	1055-271-025	56106F
C88	Steel .120" 7.170" id 32T	(B) direct clutch	6/7	91-01	1055-371-003	56118
D90	Friction .063" 8.007" od 30T	(D) clutch	5	91-01	1055-271-025	56106F
D91	Steel .120" 7.170" id 32T	(D) clutch	5/6	91-01	1055-371-003	56118
D92	Steel .035" 5.905" id 24T (waved)	(D) clutch	1	91-01	1055-372-008	56119
D93	Steel .035" 5.905" id 24T (waved)	(E2) clutch	1	91-01	1055-372-008	56119
D94	Steel .120" 7.170" id 32T	(E2) clutch	4	91-01	1055-371-003	56118
D95	Friction .063" 8.007" od 30T	(E2) clutch	4	91-01	1055-271-025	56106F
E96	Steel .032" 5.905" id 24T (waved)	(E1) clutch	1	91-01	1055-370-088	56117
E97	Steel .071" 4.685" id 24T	(E1) clutch	5/6	91-01	1055-374-001	56114
E98	Friction .063" 5.627" od 30T	(E1) clutch	5/6	91-01	1055-270-030	56106E
G99	Friction .063" 5.627" od 30T	(F) overdrive clutch	6	91-01	1055-270-030	56106E
G100	Steel .071" 4.685" id 24T	(F) overdrive clutch	6	91-01	1055-374-001	56114
G101	Steel .032" 5.905" id 24T (waved)	(F) overdrive clutch	1	91-01	1055-370-088	56117
FILTERS						
K9	Kit, filter	ZF5HP30	1	91-01	AE	FK56800H
H125	Filter, oil	ZF5HP30	1	91-01	24-34-1-432-200	56800H
PUMP PARTS AND PUMPS						
A250	Pump assembly	ZF5HP30	1	91-01	AE	56200H-R
HARD PARTS						
H363	Valve body w/solenoids	ZF5HP30	1	91-01	AE	56985-R
BONDED PISTONS						
E412	Piston, bonded rubber	(D) clutch	1	91-01	0750-132-082	56505
E415	Piston, bonded rubber	(E1) clutch	1	91-01	0750-132-086	56506
G420	Piston, bonded rubber	(F) overdrive clutch	1	91-01	0750-132-072	56507
NOTES						



5R55N/W/S
17000/A

ILL	DESCRIPTION	QTY	YEAR	REFERENCE #	PART #	
TECHNICAL MANUALS						
K53	Tech manual 5R55N dis/assembly	diagnosis/troubleshooting	1	99-02	5R55N-TM	010-224
K53	Tech manual 5R55S/W dis/assembly	diagnosis/troubleshooting	1	02-06	5R55W/S-TM	010-225
REBUILDER KITS						
K4	Master deluxe rebuild kit	5R55N	1	99-02	AE	K1700-R
K4	Master deluxe rebuild kit	5R55W/S	1	02-10	AE	K1700A-R
K5	Master kit w/steels	5R55N	1	99-02	AE	K1700
K5	Master kit w/steels	5R55W/S	1	02-10	AE	K1700A
K6	Master kit w/o steels	5R55N	1	99-02	AE	K1700-LS
K6	Master kit w/o steels	5R55W/S	1	02-10	AE	K1700A-LS
K7	O/H gasket set w/seals-rings	5R55N	1	99-02	AE	K17900
K7	O/H gasket set w/seals-rings	5R55W/S	1	02-10	AE	K17900A
VALVE BODY KITS						
K15	Shift Kit®	fix lockup complaint/won't move/noise cold	1	99-04	SK® 5R55W	K17908
K15	Reprogramming Kit™ fix won't move	W/S only (pump noise/no TCC-slip hot/1740)	1	02-07	5R55W-HD2	5R55W-HD2
GASKETS AND RUBBER COMPONENTS						
F1	Gasket, oil pan	5R55N/S/W (elasomeric)	1	99-10	XW4Z-7A191-CA	13005R
A2	Seal, lathe cut	5R55N/S/W (pump to case)	1	99-10	XW4Z-7A248-AA	13941
A3	Gasket	5R55N/S/W (pump to case)	1	99-10	XW4Z-7A136-AA	13942
A4	Lip seal	5R55N/S/W (overdrive clutch outer)	1	99-10	D4ZZ-7D404-A	13713
A5	Lip seal	5R55N/S/W (overdrive clutch inner)	1	99-10	F0TZ-7A548-A	13714B
B6	Lip seal	5R55N/S/W (direct clutch outer)	1	99-10	D4ZZ-7D404-A	13713
B7	Lip seal	5R55N/S/W (direct clutch inner)	1	99-10	F0TZ-7A548-A	13714B
E14	Gasket	5R55N/S/W (extension housing)	1	99-10	XW4Z-7086-AA	13943
F17	Gasket, valve body	5R55N only (valve body to cover plate)	1	99-02	XW4Z-7H173-AA	13944
C92	Rubber cushion	5R55N (forward clutch)	1	99-02	XW4Z-7B070-AA	17531
n/i	Gasket, valve body	5R55N (case to spacer plate upper)	1	99-02	XW4P-7D100-BE	13945
n/i	Gasket, valve body	5R55N (spacer plate to valve body lower)	1	99-02	XW4P-7D100-AF	13946
n/i	Gasket, valve body	5R55W/S (case to spacer plate upper)	1	02-10	3W4Z-7Z490-AA	13945A
n/i	Gasket, valve body	5R55W/S (spacer plate to valve body lower)	1	02-10	3W4Z-7Z490-AA	13946A
n/i	Gasket (w/screens)	5R55N (solenoid assembly to case)	1	99-02	n/a	13947
n/i	Gasket (w/screens)	5R55W/S (solenoid assembly to case)	1	02-10	n/a	13951
n/i	Gasket, valve body (bonded not in kit)	5R55N	1	99-02	XW4Z-7Z490-AD	13948
n/i	Gasket, valve body (bonded not in kit)	5R55W/S	1	04-10	4L2Z-7Z490-AA	13949
n/i	O'ring	5R55N/W/S (pump gear to converter)	1	99-10	W701431-S300	13725
n/i	Seal (w/spring)	5R55N (intermediate clutch feed)	1	99-02	XW4Z-7H003-CB	17697
n/i	Gasket	4WD adapter housing to transfer case	1	02-10	4L2Z-2086-AA	13597
n/i	Washer (rubber coated)	5R55W/S pump	8	02-10	B31564	13268D
METAL CLAD SEALS						
A22	Seal, metal clad (rubber coated)	5R55N/W/S (front)	1	99-10	F77Z-7A248-AA	27601C
E23	Seal, metal clad	5R55N (extension housing 2WD)	1	99-02	XW4Z-7052-AA	17695
E23	Seal, metal clad	5R55W/S (extension housing 2WD)	1	02-10	F6UZ-7052-A	17694
n/i	Seal, metal clad	5R55W/S (extension housing 4WD)	1	02-10	1L2Z-7052-BA	17696
n/i	Seal, metal clad	5R55N/W/S (manual lever shaft)	1	99-10	D5AZ-7B498-A	6507A
SEALING RINGS						
K10	Kit, sealing ring	5R55N/W/S	1	99-10	AE	K17901
A26	Ring, sealing (teflon/butt cut)	5R55N/W/S	1	99-10	IL2Z-7L323-AA	27230AT
A27	Ring, sealing (teflon)	5R55N/W/S (pump/stator to overdrive drum)	2	99-10	E5TZ-7D025-A	27229T
B28	Ring, sealing (plastic)	5R55N/W/S (center support to direct drum)	2	99-10	B21467	27228A
C29	Ring, sealing (brass)	5R55N/W/S (forward clutch)	2	99-10	n/a	27227A
C29	Ring, sealing (plastic)	5R55N/W/S (forward clutch)	2	99-10	B21899	27227B
n/i	Ring, sealing (teflon)	5R55N/W/S (output hub to case)	1	99-10	XW4Z-7D019-BA	17229T

ILL	DESCRIPTION		QTY	YEAR	REFERENCE #	PART #
CLUTCH PLATES						
A31	Friction .069" 4.891" od 16T (directional)	od/coast clutch (helical groove)	2	99-10	F7ZZ-7B164-CA	27504D
A32	Steel .065" 3.969" id 20T	overdrive/coast clutch	2	99-10	F0TZ-7B442-B	27305B
B33	Friction .081" 4.893" od 48T	direct clutch (1 sided w/internal teeth)	4/5	99-10	XW4Z-7B164-BA	17304
B34	Friction .081" 3.970" id 20T	direct clutch (1 sided w/external teeth)	4/5	99-10	XW4Z-7B442-BA	17305
C35	Friction .068" 5.231" od 89T	forward clutch	5	99-10	XW4Z-7B164-AA	17306
C36	Steel .067" 4.638" id 27T	forward clutch	5	99-10	XW4Z-7B442-AB	17307
D37	Friction .096" 5.708" od 24T	inter clutch (1 sided w/internal teeth)	3/4	99-10	XW4Z-7B164-CA	17310
D38	Friction .096" 4.323" id 33T	inter clutch (1 sided w/external teeth)	3/4	99-10	XW4Z-7B442-CA	17311
PRESSURE PLATES						
A39	Pressure plate .199" 20T	overdrive/coast clutch	1	99-10	F0TZ-7B066-B	27307B-R
B40	Pressure plate .199" 20T	direct clutch	1	99-10	F0TZ-7B066-B	27307B-R
C41	Pressure plate .154" 27T	forward clutch	1	99-10	XW4Z-7B066-B	17309-R
FILTERS						
K9	Kit, filter	5R55N	1	99-02	AE	FK17800
K9	Kit, filter	5R55W	1	02-03	AE	FK17800A
K9	Kit, filter	5R55S	1	03-10	AE	FK17800B
F43	Filter .300" pickup tube length	5R55N	1	99-02	XW4Z-7A098-BB	17800
F43	Filter 2.400" pickup tube length	5R55W	1	02-03	1L2Z-7A098-AC	17800A
F43	Filter 1.300" pickup tube length	5R55S	1	03-10	1L2Z-7A098-AC	17800B
BANDS						
A45	Band (flex)	5R55N (overdrive)	1	99-02	XW4Z-7D034-BA	17320
A45	Band (high energy)	5R55W/S (overdrive)	1	02-10	1L2Z-7D034-AA	17320A
B45	Band (flex)	5R55N (intermediate)	1	99-02	XW4Z-7D034-BA	17320
B45	Band (high energy)	5R55W/S (intermediate)	1	02-10	1L2Z-7D034-AA	17320A
D47	Band (double wrap)	5R55N/W/S (low/reverse)	1	99-10	XW4Z-7D095-AA	17520
n/i	Nut, band adjusting (w/seal)	5R55N/W/S	2	99-10	W705582-S300	26610
BUSHINGS						
K13	Kit, bushing	5R55N/W/S	1	99-10	AE	K17905
A49	Bushing (bronze)	5R55N/W/S (pump cover)	1	99-10	n/a	27001A
A49	Bushing (babbitt)	5R55N/W/S (pump cover)	1	99-10	n/a	27001B
A50	Bushing	5R55N/W/S (pump/stator front)	1	99-10	n/a	27009
A51	Bushing	5R55N/W/S (pump/stator rear)	1	99-10	n/a	27000A
A52	Bushing	5R55N/W/S (overdrive/coast)	1	99-10	90DT-7D046-AA	27002
B53	Bushing	5R55N/W/S (overdrive sun gear)	1	99-10	n/a	27000
WASHERS/BEARINGS/RACES/SHIMS						
K12	Kit, thrust bearing	5R55N/W/S	1	99-10	AE	K17906
K14	Kit, thrust washer	5R55N/W/S	1	99-10	AE	K17951
A55	Thrust washer .069"	5R55N/W/S (pump to overdrive drum)	sel	99-10	XW4Z-7D014-XA	17209A
A55	Thrust washer .075"	5R55N/W/S (pump to overdrive drum)	sel	99-10	XW4Z-7D014-NA	17209B
A55	Thrust washer .082"	5R55N/W/S (pump to overdrive drum)	sel	99-10	XW4Z-7D014-RA	17209C
A55	Thrust washer .089"	5R55N/W/S (pump to overdrive drum)	sel	99-10	XW4Z-7D014-YA	17209D
A55	Thrust washer .096"	5R55N/W/S (pump to overdrive drum)	sel	99-10	XW4Z-7D014-ZA	17209E
B56	Washer .420" 24T (8 lugs)	overdrive drum to overdrive sun gear	1	99-02	XW4Z-7660-AA	17227
B56	Washer .295" 24T (8 lugs)	overdrive drum to overdrive sun gear	1	02-10	YW4Z-7660-AA	17228
B56	Washer .312" 38T (8 lugs)	overdrive drum to overdrive sun gear	1	02-10	2L2P-7660-AB	17228A
B57	Bearing, thrust (flat/open faced)	od planetary to overdrive shaft/hub	1	99-10	E5TZ-7L495-A	27222
B58	Bearing, thrust	overdrive shaft/hub to center support	1	99-10	F77Z-7M153-EB	17220
B59	Bearing, thrust .110"	center support to direct drum	sel	99-10	XW4Z-7D014-CA	17221
C60	Bearing, thrust	direct drum to forward drum	1	99-10	F77Z-7M153-EB	17220
C61	Bearing, thrust	forward hub/planetary to forward drum	1	99-01	F0TZ-7D090-A	27235
C61	Bearing, thrust	forward hub/planetary to forward drum	1	02-10	1L2Z-7D234-AA	27235A
C62	Thrust washer (cup type)	bearing to forward planetary/hub	1	99-10	F0TZ-7D090-A	27011A
C63	Bearing, thrust	forward hub to forward planetary	1	99-10	XW4Z-7F374-AA	17223

ILL	DESCRIPTION	QTY	YEAR	REFERENCE #	PART #		
WASHERS/BEARINGS/RACES/SHIMS (CONTINUED)							
C64	Thrust washer		fwd planetary to drive shell w/sun gear	1	99-10	n/a	17219
D65	Bearing, thrust		low/reverse spacer to rear planetary	1	02-10	F77Z-7M153-EB	17220
D65	Bearing, thrust		low/reverse spacer to rear planetary	1	99-02	F77Z-7M153-EB	17220
D66	Bearing, thrust		5R55N/W/S (rear planetary to rear hub)	1	99-10	F77Z-7M153-EB	17220
D67	Bearing, thrust		5R55N/W/S (rear hub to case)	1	99-10	F3RZ-7H027-A	17224
E68	Bearing, caged needle		5R55N/W (rear case to output shaft)	1	99-02	F77Z-7R205-AA	17222
E69	Thrust washer		5R55N (park gear to case)	1	99-02	XW4Z-7B368-AA	17225
E69	Thrust washer		5R55W/S (park gear to case)	1	02-10	1L2Z-7B368-AA	17226
PUMP PARTS AND PUMPS							
A70	Pump assembly		5R55N	1	99-01	YW4Z-7A103-AA	17200-R
A70	Pump assembly		5R55W/S	1	02-10	3W4Z-7A103-AA	17200A-R
HARD PARTS							
A73	Shaft		5R55N (input)	1	99-02	n/a	27411D-R
A73	Shaft 10 1/4"		5R55W/S (input)	1	02-10	XW4Z-7017-AA	17411-R
A75	Drum, overdrive/coast clutch		5R55N	1	99-02	XW4Z-7L669-AA	17420-R
A75	Drum, overdrive/coast clutch		5R55W/S	1	02-10	YW4P-7L669-AA	17421-R
A77	Set, retainer w/springs		5R55N/W/S (overdrive/coast)	1	99-10	n/a	K27301
B77	Set, retainer w/springs		5R55N/W/S (direct clutch)	1	99-10	n/a	K27301
B79	Gear, sun 24T		5R55N (overdrive)	1	99-02	F7RZ-7D063-AA	27728D-R
B79	Gear, sun 38T		5R55W/S (overdrive)	1	02-10	2L2Z-7D063-AA	17728
B79	Gear, sun 38T		5R55W/S (overdrive)	1	02-10	AE	17728-R
B80	Planetary 25T pinion		5R55N (overdrive)	1	99-02	XW4Z-7B446-BA	17413
B80	Planetary 25T pinion (exchange)		5R55N (overdrive)	1	99-02	XW4Z-7B446-BA	17413-R
B80	Planetary 28T pinion		5R55W/S (overdrive)	1	02-10	2L2Z-7B446-AA	17413A
B80	Planetary 28T pinion (exchange)		5R55W/S (overdrive)	1	02-10	AE	17413A-R
B81	Gear, ring 72T		5R55N (overdrive)	1	99-02	AE	27449-R
B81	Gear, ring 94T		5R55W/S (overdrive)	1	00-10	2L2Z-7B446-AA	17449-R
B83	Shaft/hub 72T		5R55N (overdrive)	1	99-02	AE	17450-R
B83	Shaft/hub 94T		5R55W/S (overdrive)	1	02-10	AE	17450A-R
B86	Support, center		5R55N/W/S	1	99-10	XW4Z-7A130-DA	17454-R
B87	Drum, direct (4 clutch)		5R55N	1	99-02	XW4Z-7D044-AB	17460-R
B87	Drum, direct (5 clutch)		5R55W/S	1	02-10	1L2Z-7D044-CA	17460A-R
C90	Drum, forward clutch		5R55N/W/S	1	99-10	1L2P-7A511-AA	17465-R
C98	Hub, forward planetary		5R55N	1	99-02	AE	17452-R
C98	Hub, forward planetary		5R55W/S	1	02-10	AE	17453-R
C99	Gear, ring 85T		5R55N (forward planetary)	1	99-02	YW4Z-7D392-AA	17455-R
C99	Gear, ring 101T		5R55W/S (forward planetary)	1	02-10	AE	17456-R
C100	Planetary 6 pinion 19T		5R55N (forward)(exchange)	1	99-02	YW4Z-7A398-AA	17457-R
C100	Planetary 6 pinion 23T		5R55W/S (forward)(exchange)	1	02-10	1L2Z-7A398-FA	17458-R
C101	Drive shell w/sun gear 47T 27T		5R55N	1	99-02	AE	17459-R
C101	Drive shell w/sun gear 55T 27T		5R55W/S	1	02-10	AE	17461-R
D102	Race, outer sprag		5R55N (only)(intermediate)	1	99-02	XW4Z-7H324-BC	17469-R
D104	Spacer		5R55N (low/reverse)	1	99-02	XW4Z-7C167-AA	17480-R
D104	Spacer		5R55W/S (low/reverse)	1	02-10	AE	17481-R
D109	Housing, intermediate clutch		5R55N	1	99-02	XW4Z-7F340-AA	17470-R
D111	Planetary 5 pinion 28T		5R55N/W/S (rear)(exchange)	1	99-10	1L2Z-7D066-BA	17475-R
D112	Oil lube dam		5R55N/W/S (rear/output hub)	1	99-10	XW4Z-7B176-AA	17025
D113	Gear, ring		5R55N/W/S (rear/output)	1	99-10	XW4Z-7A153-AA	17477-R
D114	Hub, rear (output)		5R55N/W/S	1	99-10	XW4Z-7D164-BA	17476-R
D117	Drum, low/reverse (w/sprag)		5R55N/W/S	1	99-10	XW4Z-7C498-AA	K17503
E119	Gear, park (w/reductor wheel)		5R55N	1	99-02	XW4Z-7B368-AA	17478-R
E119	Gear, park (w/reductor wheel)		5R55W/S	1	02-10	AE	17479-R
n/i	Kit, drain plug		5R55W/S (pan)	1	02-10	6L2Z-7A010-AA	17710

SPEEDOMETER PROBLEMS

Speedometer slow (on dash) head

- (1) Increase teeth on drive gear
- (2) Decrease teeth on driven gear

Speedometer fast (on dash) head

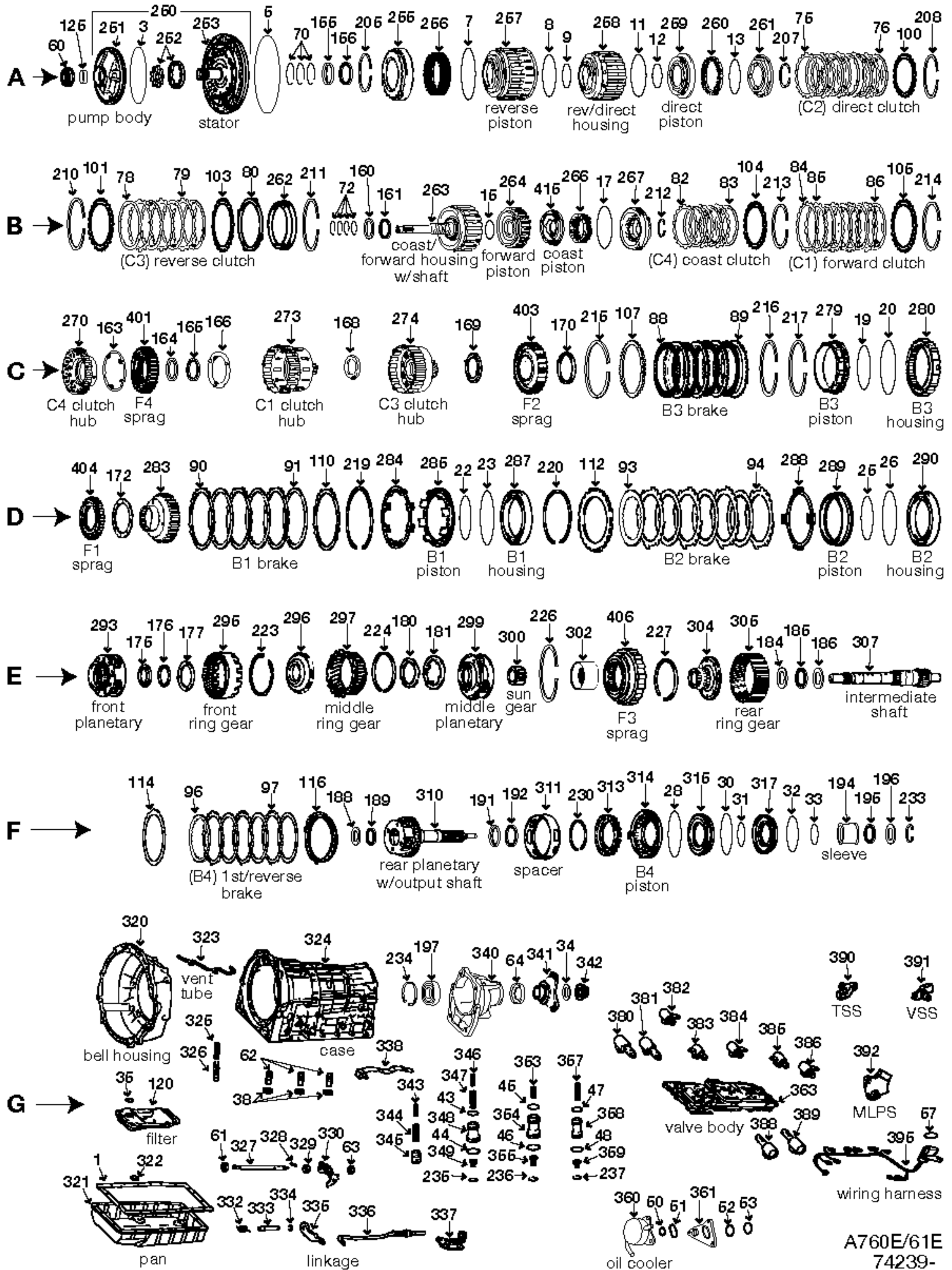
- (1) Decrease teeth on drive gear
- (2) Increase teeth on driven gear

Usually, there is a 3 to 5 mph change in each tooth.

The drive gear is on the output shaft on most RWD vehicles. The driven gear is usually in the extension housing.

Most GM vehicles have both replaceable drive and driven gears. Most Ford and Chrysler vehicles have their drive gears cut into output shafts (which do come in different tooth counts). Only driven gears can be replaced without removal of output shafts. This applies to most Ford and Chrysler RWD automatics and standards.

Most Conventional 4x4's are driven at the transfer case.



A760E/61E
74239-

ILL	DESCRIPTION	QTY	YEAR	REFERENCE #	PART #
TECHNICAL MANUALS					
K53	Tech manual-covers A760E dis/assembly diagnosis & troubleshooting	1	04-10	A760ETM	010-492
REBUILDER KITS					
K4	Master deluxe rebuild kit A761E/F	1	04-10	AE	74239-10104
K5	Master kit w/steels A761E/F	1	04-10	AE	74239-11104
K6	Master kit w/o steels A761E/F	1	04-10	AE	74239-12104
K7	O/H gasket set w/seals-rings A761E/F	1	04-10	DP/2471	74239-13104
K8	Kit, valve body gaskets A761E/F	1	04-10	FDB-4790	95239-16004
VALVE BODY KITS					
K15	Kit, valve body repair A760E/H/F	1	04-10	n/a	95239-17004
n/i	Kit, valve body gaskets A760E/H/F	1	04-10	FDB-4790	95239-16004
GASKETS AND RUBBER COMPONENTS					
G1	Gasket, pan Duraprene® A761E/F	1	04-10	B11519	95238-19104
G1	Gasket, pan (cork/rubber) A761E/F	1	04-10	35168-60010	95238-18104
A3	O'ring pump body to support	1	04-10	90301-99148	95238-21104
A5	O'ring pump support to case	1	04-10	90301-99139	95238-21204
G35	O'ring filter to valve body	1	04-10	90301-31014	95238-24004
G57	O'ring electrical connector	1	04-10	90301-21009	13822
METAL CLAD SEALS					
A60	Seal, metal clad front seal	1	04-10	90311-38083	46200
F61	Seal, metal clad 12x22x7mm lever seal	2	04-10	90311-12002	46202
G64	Seal, metal clad 2.170" od (not in kit) A761E	1	04-10	90311-40001	46201
G64	Seal, metal clad A761E/F	1	04-10	90311-42024	74236-30804
G64	Seal, metal clad A761E/F case to adapter	1	04-10	90311-38082	46200
SEALING RINGS					
K10	Kit, sealing ring A761E	1	04-09	FDB-3491	95238-31604
A70	Sealing ring direct clutch	3	04-10	35617-60020	95238-33504
B72	Sealing ring input shaft	4	04-10	35712-60010	74236-33804
CLUTCH PLATES					
A75	Steel .071" 5.870" id 24T direct clutch (C2)	5	04-10	35633-50010	74239-37704
A76	Friction .060" 6.360" od 36T direct clutch (C2)	5	04-10	35667-60020	74239-35204
B78	Friction .061" 4.490" od 36T reverse clutch (C3)	3	04-10	35677-50040	74239-35404
B79	Steel .071" 3.960" id 24T reverse clutch (C3)	3	04-10	35695-50010	74239-37904
B80	Steel, waved plate reverse clutch (C3)	1	04-10	n/a	74239-40204
B82	Steel .096" 4.170" id 24T coast clutch (C4)	4	04-10	35634-50010	74239-38004
B83	Friction .058" 4.700" od 30T coast clutch (C4)	4	04-10	APC-188710-150	74239-35504
B84	Steel, waved plate forward clutch (C1)	1	04-10	n/a	74239-40304
B85	Steel .094" 5.870" id 24T forward clutch (C1)	4	04-10	35648-50010	74239-38104
B86	Friction .058" 6.360" od 40T forward clutch (C1)	5	04-10	35634-50010	74239-35604
C88	Friction .074" 6.430" od 40T intermediate clutch (B3)	4	04-10	APC-188704-190	74239-35704
C89	Steel .080" 5.520" id 16T intermediate clutch (B3)	4	04-10	APC-188705-200	74239-38304
D90	Steel .094" 5.520" id 13T underdrive clutch (B1)	3	04-10	APC-188713-240	74239-38504
D90	Steel .087" 5.520" id 13T underdrive clutch (B1) (selective)	1	04-10	APC-188713-220	74239-38604
D91	Friction .075" 6.220" od 40T underdrive clutch (B1)	3	04-10	APC-188712-190	74239-35904
D93	Friction .063" 4.440" od 40T overdrive clutch (B2)	4	04-10	APC-188714-160	74239-36104
D94	Steel .079" 4.530" id 13T overdrive clutch (B2)	3	04-10	35692-60010	95238-38504
D94	Steel, .087" 4.530" id 13T overdrive clutch (B2) (selective)	1	04-10	APC-188715-220	74239-39104
F96	Friction .061" 5.530" od 48T low/reverse clutch (B4)	4	04-10	APC-188706-155	74239-36504
F97	Steel, .071" 4.910" id 16T low/reverse clutch (B4)	4	04-10	35694-60011	74239-39504
PRESSURE PLATES					
A100	Pressure plate direct clutch (C2)	1	04-10	AE	74239-41103
B101	Pressure plate reverse clutch (C3)	1	04-10	AE	74239-41303
B103	Pressure plate (apply) reverse clutch (C3)	1	04-10	AE	74239-41403
B104	Pressure plate coast clutch	1	04-10	AE	74239-41503

A760E•A760F•A761E•A761F•A761H

A760E•F•A761E•F•H

ILL	DESCRIPTION		QTY	YEAR	REFERENCE #	PART #
PRESSURE PLATES (CONTINUED)						
B105	Pressure plate	forward clutch (C1)	1	04-10	AE	74239-41603
C107	Pressure plate	intermediate clutch (B3)	1	04-10	AE	74239-41903
D110	Pressure plate	underdrive clutch (B1)	1	04-10	AE	74239-42303
D112	Pressure plate	overdrive clutch (B2)	1	04-10	AE	74239-42603
F114	Pressure plate	low/reverse clutch (B4)	1	04-10	AE	74239-43003
F116	Pressure plate (apply)	low/reverse clutch (B4)	1	04-10	AE	74239-43203
FILTERS						
K9	Kit, filter (Duraprene®)	A761E	1	04-10	AE	74239-44004
K9	Kit, filter (cork/rubber)	A761E	1	04-10	AE	74239-43504
G35	Filter, oil	A761E	1	04-10	35330-50020	74239-45104
BUSHINGS						
A125	Bushing	pump body	1	04-10	n/a	46001
WASHERS/BEARINGS/RACES/SHIMS						
A155	Race, thrust	stator to reverse housing	1	04-10	n/a	74239-56204
A156	Bearing, thrust	stator to reverse housing	1	04-10	n/a	74239-56304
B160	Bearing, thrust	forward housing to direct housing	1	04-10	n/a	74239-56604
B161	Washer, thrust	forward housing to direct housing	1	04-10	n/a	74239-56704
C163	Washer, thrust	coast clutch hub to F4 sprag	1	04-10	n/a	74239-56904
C164	Race, thrust	hub to shell	1	04-10	n/a	74239-57104
C165	Bearing, thrust	hub to shell	1	04-10	n/a	74239-57304
C166	Washer, thrust	F4 sprag to hub	1	04-10	n/a	74239-57404
C168	Bearing, thrust	shell to reverse hub	1	04-10	n/a	74239-57504
C169	Washer, thrust	reverse hub to F2 sprag	1	04-10	n/a	74239-57704
C170	Washer, thrust	F2 sprag to F1 sprag	1	04-10	n/a	74239-57704
D172	Washer, thrust	F1 sprag to B1 hub	1	04-10	n/a	74239-57904
E175	Race, thrust	front planetary to sun gear	1	04-10	n/a	74239-58104
E176	Bearing, thrust	front planetary to sun gear	1	04-10	n/a	74239-58204
E177	Washer, thrust	front planetary to hub	1	04-10	n/a	74239-58304
E180	Bearing, thrust	middle planetary to ring gear hub	1	04-10	n/a	74239-58504
E181	Washer, thrust	middle planetary to ring gear hub	1	04-10	n/a	74239-58604
E184	Race, thrust	rear hub to intermediate shaft	1	04-10	n/a	74239-58704
E185	Bearing, thrust	rear hub to intermediate shaft	1	04-10	n/a	74239-58804
E186	Race, thrust	rear hub to intermediate shaft	1	04-10	n/a	74239-58904
F188	Race, thrust	rear planetary to sun gear	1	04-10	n/a	74239-59204
E189	Bearing, thrust	rear planetary to sun gear	1	04-10	n/a	74239-59304
F191	Race, thrust	rear planetary	1	04-10	n/a	74239-59403
F192	Bearing, thrust	rear planetary	1	04-10	n/a	74239-59504
F194	Race, spacer (sleeve)	output shaft	1	04-10	n/a	74239-59604
F195	Bearing, thrust	output shaft	1	04-10	n/a	74239-59704
F196	Race, thrust	output shaft	1	04-10	n/a	74239-59804
G197	Bearing, ball	output shaft	1	04-10	n/a	74239-60504
SNAP RINGS						
A205	Snap ring	reverse retainer	1	04-10	AE	74239-62203
A207	Snap ring	direct retainer	1	04-10	AE	74239-62303
A208	Snap ring	direct clutch pressure plate	1	04-10	AE	74239-62403
B210	Snap ring	reverse clutch pressure plate	1	04-10	AE	74239-62803
B211	Snap ring	reverse piston in housing	1	04-10	AE	74239-63003
B212	Snap ring	coast clutch retainer	1	04-10	AE	74239-63103
B213	Snap ring	coast clutch pressure plate	1	04-10	AE	74239-63203
B214	Snap ring	forward clutch pressure plate	1	04-10	AE	74239-63503
C215	Snap ring	intermediate clutch pressure plate (B3)	1	04-10	AE	74239-63603
C216	Snap ring	intermediate clutch piston (B3)	1	04-10	AE	74239-63803
C217	Snap ring	intermediate clutch housing (B3)	1	04-10	AE	74239-64003

ILL	DESCRIPTION	QTY	YEAR	REFERENCE #	PART #
SNAP RINGS (CONTINUED)					
D219	Snap ring underdrive clutch retainer (B1)	1	04-10	AE	74239-64203
D220	Snap ring underdrive clutch housing (B1)	1	04-10	AE	74239-64503
E223	Snap ring front ring gear hub	1	04-10	AE	74239-64703
E224	Snap ring middle ring gear	1	04-10	AE	74239-64803
E226	Snap ring F3 sprag	1	04-10	AE	74239-64903
E227	Snap ring rear ring gear hub	1	04-10	AE	74239-65103
F230	Snap ring low/reverse retainer (B4)	1	04-10	AE	74239-65503
F233	Snap ring output shaft	1	04-10	AE	74239-65703
G234	Snap ring bearing in extension housing	1	04-10	AE	74239-65903
PUMP PARTS AND PUMPS					
A250	Pump assembly A760E/A761E	1	04-10	AE	74239-67003
A251	Body, pump w/gears A760E/A761E	1	04-10	AE	74239-67503
A252	Gear, pump (inner/outer) A760E/A761E	1	04-10	AE	74239-68104
A253	Stator, pump A760E/A761E	1	04-10	AE	74239-68503
HARD PARTS					
A255	Retainer, reverse clutch A760E/A761E/F (C3)	1	04-10	AE	74239-72103
A256	Retainer, w/springs reverse clutch (C3)	1	04-10	AE	74239-72203
A257	Piston, reverse clutch A760E/A761E/F (C3)	1	04-10	AE	74239-72303
A258	Housing, reverse/direct clutch A760E/A761E/F	1	04-10	AE	74239-72603
A259	Piston, direct clutch A760E/A761E/F (C2)	1	04-10	AE	74239-72903
A260	Retainer, w/springs direct clutch (C2)	1	04-10	AE	74239-73003
A261	Retainer, direct clutch A760E/A761E/F (C2)	1	04-10	AE	74239-73103
B262	Spacer, reverse clutch A760E/A761E/F (C2)	1	04-10	AE	74239-73403
B263	Housing, forward clutch w/shaft A760E/A761E/F ((C1)	1	04-10	AE	74239-73503
B264	Piston, forward clutch A760E/A761E/F ((C1)	1	04-10	AE	74239-73703
B266	Retainer, w/springs coast clutch ((C4)	1	04-10	AE	74239-73803
B267	Piston, coast clutch A760E/A761E/F ((C4)	1	04-10	AE	74239-73903
C270	Hub, forward clutch A760E/A761E/F ((C1)	1	04-10	AE	74239-74203
C273	Shell, drive A760E/A761E/F	1	04-10	AE	74239-74503
C274	Hub, reverse clutch A760E/A761E/F (C3)	1	04-10	AE	74239-74603
C279	Piston, intermediate clutch A760E/A761E/F (B3)	1	04-10	AE	74239-74903
C280	Housing, intermediate clutch A760E/A761E/F (B3)	1	04-10	AE	74239-75003
D283	Hub, underdrive clutch A760E/A761E/F (B1)	1	04-10	AE	74239-75303
D284	Retainer, w/springs underdrive clutch (B1)	1	04-10	AE	74239-75503
D285	Piston, underdrive clutch A760E/A761E/F (B1)	1	04-10	AE	74239-75603
D287	Housing, underdrive clutch A760E/A761E/F (B1)	1	04-10	AE	74239-75703
D288	Retainer, w/springs overdrive clutch (B2)	2	04-10	AE	74239-75803
D289	Piston, overdrive clutch A760E/A761E/F (B2)	1	04-10	AE	74239-75903
D290	Housing, overdrive clutch A760E/A761E/F (B2)	1	04-10	AE	74239-76003
E293	Planetary, front A760E/A761E/F	1	04-10	AE	74239-76203
E295	Gear, front ring A760E/A761E/F	1	04-10	AE	74239-76503
E296	Hub, front ring gear A760E/A761E/F	1	04-10	AE	74239-76803
E297	Gear, middle ring A760E/A761E/F	1	04-10	AE	74239-77003
E299	Planetary, middle A760E/A761E/F	1	04-10	AE	74239-77303
E300	Gear, sun A760E/A761E/F	1	04-10	AE	74239-77603
E302	Race, inner sprag (F3) A760E/A761E/F	1	04-10	AE	74239-77703
E304	Hub, rear ring gear A760E/A761E/F	1	04-10	AE	74239-77803
E305	Gear, rear ring A760E/A761E/F	1	04-10	AE	74239-78003
E307	Shaft, intermediate A760E/A761E/F	1	04-10	AE	74239-78303
F310	Shaft, output w/planetary A760E/A761E/F (4WD)	1	04-10	AE	74239-78603
F310	Shaft, output w/planetary (w/bolt on yoke) A760E/A761E/F (2WD)	1	04-10	AE	74239-78703
F311	Spacer, low/reverse clutch A760E/A761E/F (B4)	1	04-10	AE	74239-78803
F313	Retainer, w/springs low/reverse clutch (B4)	1	04-10	AE	74239-78903

A760E•A760F•A761E•A761F•A761H

A760E•F•A761E•F•H

ILL	DESCRIPTION		QTY	YEAR	REFERENCE #	PART #
HARD PARTS (CONTINUED)						
F314	Piston, low/reverse clutch (outer)	A760E/A761E/F (B4)	1	04-10	AE	74239-79003
F315	Piston, low/reverse clutch (middle)	A760E/A761E/F (B4)	1	04-10	AE	74239-79103
F317	Piston, low/reverse clutch (inner)	A760E/A761E/F (B4)	1	04-10	AE	74239-79203
G320	Housing, front	A760E/A761E/F	1	04-10	AE	74239-80103
G321	Pan, bottom	A760E/A761E/F	1	04-10	AE	74239-80503
G324	Housing, main case	A760E/A761E/F	1	04-10	AE	74239-81003
G327	Shaft, shift	A760E/A761E/F	1	04-10	AE	74239-81603
G332	Spring, park pawl	A760E/A761E/F	1	04-10	AE	74239-82003
G333	Pin, park pawl	A760E/A761E/F	1	04-10	AE	74239-82103
G335	Pawl, park	A760E/A761E/F	1	04-10	AE	74239-82203
G336	Rod, park	A760E/A761E/F	1	04-10	AE	74239-82303
G340	Housing, extension (adapter)	A760E/A761E/F (4WD)	1	04-10	AE	74239-83103
G340	Housing, extension (w/bolt on yoke)	A760E/A761E/F (2WD)	1	04-10	AE	74239-83203
G341	Yoke, rear	A760E/A761E/F	1	04-10	AE	74239-83503
G360	Cooler, transmission oil	A760E/A761E/F	1	04-10	AE	74239-83603
G363	Valve body w/soledoids	A760E/A761E/F	1	04-10	AE	74239-84003
ELECTRICAL COMPONENTS						
G380	Solenoid, shift	(S3)	1	04-10	n/a	74239-85504
G381	Solenoid, shift	(S2)	1	04-10	n/a	74239-85604
G382	Solenoid, shift	(S4)	1	04-10	n/a	74239-85704
G383	Solenoid, shift	(S1)	1	04-10	n/a	74239-85804
G384	Solenoid, shift	(SR)	1	04-10	n/a	74239-85904
G385	Solenoid, shift	(SL1)	1	04-10	n/a	74239-86004
G386	Solenoid, shift	(SLT)	1	04-10	n/a	74239-86104
G388	Solenoid, shift	(SL2)	1	04-10	n/a	74239-86204
G389	Solenoid, shift	(SLU)	1	04-10	n/a	74239-86304
G390	Sensor, turbine speed (TSS)	A760E/A761E/F	1	04-10	n/a	74239-86504
G391	Sensor, vehicle speed (VSS)	A760E/A761E/F	1	04-10	n/a	74239-86604
G392	Switch, MLPS (neutral start)	A760E/A761E/F	1	04-10	n/a	74239-86704
G395	Harness, wiring (internal)	A760E/A761E/F	1	04-10	n/a	74239-87004
SPRAGS						
C401	Sprag, F4	A760E/A761E/F	1	04-10	n/a	74239-94004
C401	Sprag, F4	A760E/A761E/F	1	04-10	AE	74239-94003
C403	Sprag, F2	A760E/A761E/F	1	04-10	n/a	74239-94104
C403	Sprag, F2	A760E/A761E/F	1	04-10	AE	74239-94103
C404	Sprag, F1	A760E/A761E/F	1	04-10	n/a	74239-94204
C404	Sprag, F1	A760E/A761E/F	1	04-10	AE	74239-94203
E406	Sprag, F3	A760E/A761E/F	1	04-10	n/a	74239-94304
E406	Sprag, F3	A760E/A761E/F	1	04-10	AE	74239-94303
BONDED PISTONS						
B415	Piston, bonded rubber	coast clutch	1	04-10	n/a	74239-96504
NOTES						

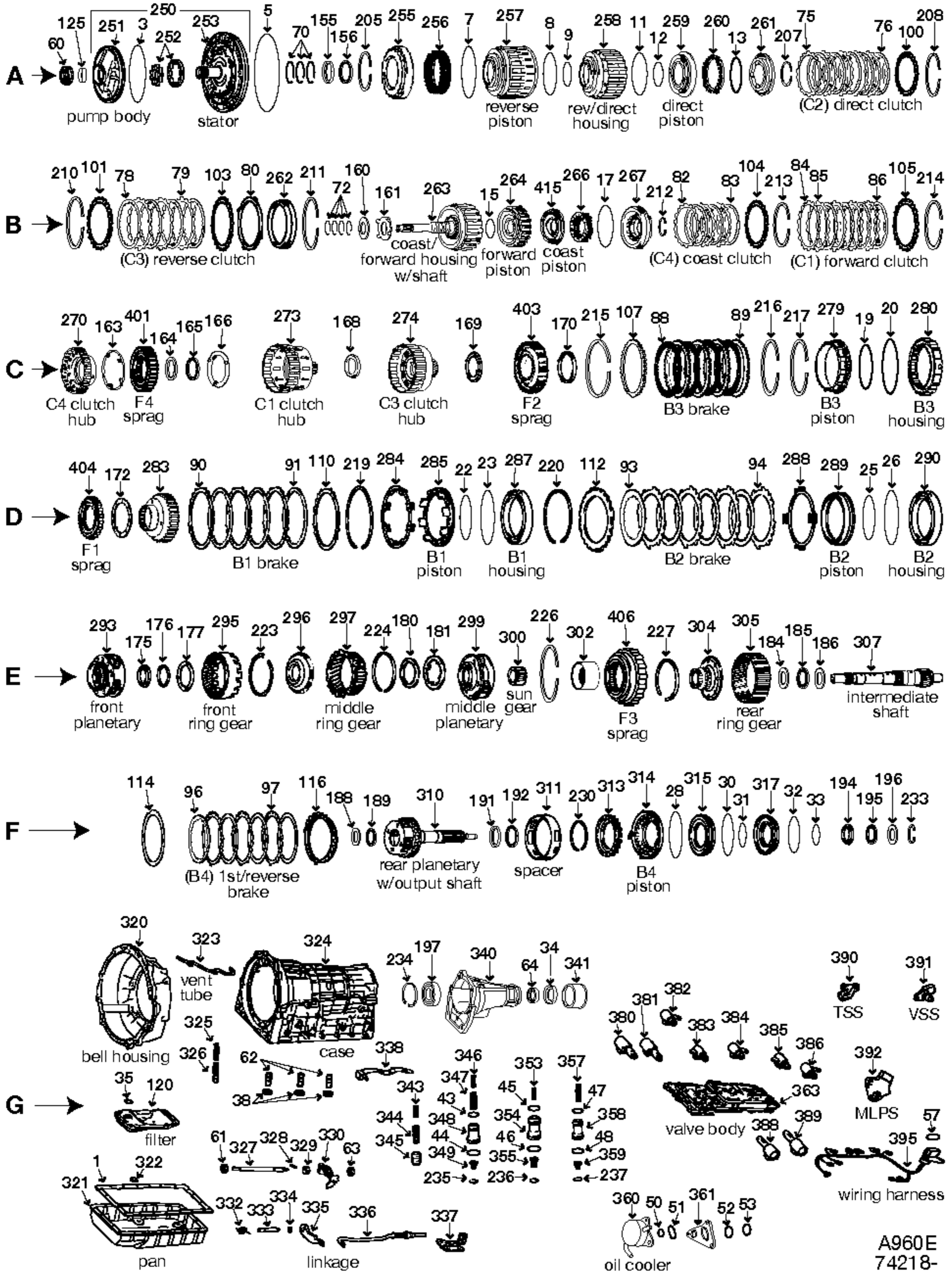
DECIMAL & MILLIMETER EQUIVALENTS

FRACTION	DECIMAL	MILLIMETER	FRACTION	DECIMAL	MILLIMETER
1/64	0.015625	0.397	33/64	.515625	13.097
1/32	.03125	0.794	17/32	.53125	13.494
3/64	.046875	1.191	25/64	.546875	13.891
1/16	.0625	1.588	9/16	.5625	14.288
5/64	.078125	1.984	37/64	.578125	14.684
3/32	.09375	2.381	19/32	.59375	15.081
7/64	.109375	2.778	39/64	.609375	15.478
1/8	.1250	3.175	5/8	.6250	15.875
9/64	.140625	3.572	41/64	.640625	16.272
5/32	.15625	3.969	21/32	.65625	16.669
11/64	.171875	4.366	43/64	.671875	17.066
3/16	.1875	4.763	11/16	.6875	17.463
13/64	.203125	5.159	45/64	.703125	17.859
7/32	.21875	5.556	23/32	.71875	18.256
15/64	.234375	5.593	47/64	.734375	18.653
1/4	.2500	6.350	3/4	.7500	19.050
17/64	.265625	6.747	49/64	.765625	19.447
9/32	.28125	7.144	25/32	.78125	19.844
19/64	.296875	7.541	51/64	.796875	20.241
5/16	.3125	7.938	13/16	.8125	20.638
21/64	.328125	8.334	53/64	.828125	21.034
11/32	.34375	8.731	27/32	.84375	21.431
23/64	.359375	9.128	55/64	.859375	21.828
3/8	.3750	9.525	7/8	.8750	22.225
25/64	.390625	9.922	57/64	.890625	22.622
13/32	.40625	10.319	29/32	.90625	23.019
27/64	.421875	10.716	59/64	.921875	23.416
7/16	.4375	11.113	15/16	.9375	23.813
29/64	.453125	11.509	61/64	.953125	24.209
15/32	.46875	11.906	31/32	.96875	24.606
31/64	.484375	12.303	63/64	.984375	25.003
1/2	.5000	12.700	1	1.000	25.400

MILLIMETER TO DECIMAL EQUIVALENCES

MM	INCHES	MM	INCHES	MM	INCHES	MM	INCHES	MM	INCHES
.1	.0039	11	.4331	30	1.1811	49	1.9291	68	2.6772
.2	.0079	12	.4724	31	1.2205	50	1.9685	69	2.7165
.3	.0118	13	.5118	32	1.2598	51	2.0079	70	2.7559
.4	.0157	14	.5512	33	1.2992	52	2.0472	71	2.7953
.5	.0197	15	.5906	34	1.3386	53	2.0866	72	2.8346
.6	.0236	16	.6299	35	1.3780	54	2.1260	73	2.8740
.7	.0276	17	.6693	36	1.4173	55	2.1654	74	2.9134
.8	.0315	18	.7087	37	1.4567	56	2.2047	75	2.9528
.9	.0354	19	.7480	38	1.4961	57	2.2441	76	2.9921
1	.0394	20	.7874	39	1.5354	58	2.2835	77	3.0315
2	.0787	21	.8268	40	1.5748	59	2.3228	78	3.0709
3	.1181	22	.8661	41	1.6142	60	2.3622	79	3.1102
4	.1575	23	.9055	42	1.6535	61	2.4016	80	3.1496
5	.1969	24	.9449	43	1.6929	62	2.4409	81	3.1890
6	.2362	25	.9843	44	1.7323	63	2.4803	82	3.2283
7	.2756	26	1.0236	45	1.7717	64	2.5197	83	3.2677
8	.3150	27	1.0630	46	1.8110	65	2.5591	84	3.3071
9	.3543	28	1.1024	47	1.8504	66	2.5984	85	3.3465
10	.3937	29	1.1417	48	1.8898	67	2.6378	86	3.3858
								87	3.4252
								88	3.4646
								89	3.5039
								90	3.5433
								91	3.5827
								92	3.6220
								93	3.6614
								94	3.7008
								95	3.7402
								96	3.7795
								97	3.8189
								98	3.8583
								99	3.8976
								100	3.9370

COPYRIGHT © 2011 AUTRY ENTERPRISES LTD.



A960E
74218-

ILL	DESCRIPTION	QTY	YEAR	REFERENCE #	PART #
TECHNICAL MANUALS					
K53	Tech manual-covers A960E dis/assembly diagnosis & troubleshooting	1	05-11	A960ETM	010-493
REBUILDER KITS					
K5	Master kit w/steels w/pistons	1	05-11	APC-203901	74218-11004
K5	Master kit w/steels w/o pistons	1	05-11	APC-203901X	74218-11104
K6	Master kit w/o steels w/pistons	1	05-11	APC-203901LS	74218-12004
K6	Master kit w/o steels w/o pistons	1	05-11	APC-203901XLS	74218-12104
K7	O/H gasket set w/seals-rings w/o pistons	1	05-11	APC-203800X	74218-13104
K7	O/H gasket set w/seals-rings w/pistons	1	05-11	APC-203800	74218-13004
VALVE BODY KITS					
K15	Kit, valve body repair A761E	1	05-11	n/a	74218-17009
GASKETS AND RUBBER COMPONENTS					
G1	Gasket, pan (cork/rubber) A960E	1	05-11	35168-22020	74218-18004
G1	Gasket, pan (Duraprene®) A960E	1	05-11	n/a	74218-19004
A3	O'ring pump body to stator	1	05-11	90301-99153	74218-21104
A5	O'ring pump stator to case	1	05-11	90301-99093	74218-21204
n/i	Gasket, valve body (upper) A960E	1	05-11	MGW-86502	74218-14004
n/i	Gasket, valve body (lower) A960E	1	05-11	MGW-86503	74218-14404
n/i	Gasket, auxiliary valve body A96E (upper)	1	05-11	MGW-86520	74218-14604
n/i	Gasket, auxiliary valve body A960E (lower)	1	05-11	MGW-86530	74218-14804
METAL CLAD SEALS					
A60	Seal, metal clad front	1	05-11	90311-38082	46200
G64	Seal, metal clad rear extension housing	1	05-11	90311-40001	54158
G61	Seal, metal clad 12x22x7mm shift shaft	1	05-11	90311-12002	46202
SEALING RINGS					
K10	Kit, sealing rings A960E	1	05-11	n/a	74218-31504
A70	Sealing ring (plastic) pump stator	3	05-11	35617-60020	74218-33204
B72	Sealing ring (teflon) input shaft	4	05-11	35617-22040	74218-33504
CLUTCH PLATES					
A75	Steel .071" 5.482" id 24T direct clutch (C2)	5	05-11	35647-22040	74218-37504
A76	Friction .059" 5.972" od 36T direct clutch (C2)	5	05-11	35667-22030	74218-35104
B78	Friction .059" 5.975" od 40T reverse clutch (C3)	4	05-11	35677-22100	74218-35304
B79	Steel .095" 5.405" id 24T reverse clutch (C3)	3	05-11	35648-22020	74218-37704
B82	Steel .071" 3.546" id 24T coast clutch (C4)	4	05-11	35695-22010	74218-37904
B83	Friction .059" 4.043" od 30T coast clutch (C4)	4	05-11	35685--22010	74218-35504
B84	Steel, wave plate forward clutch (C1)	1	05-11	n/a	74236-40204
B85	Steel .071" 3.690" id 24T forward clutch (C1)	4	05-11	35634-22110	74218-38104
B86	Friction .059" 4.248" od 40T forward clutch (C1)	4	05-11	35633-22070	74218-35804
C88	Friction .074" 5.950" od 36T intermediate clutch (B3)	4	05-11	35066-22020	74218-36204
C89	Steel .079" 4.680" id 16T intermediate clutch (B3)	4	05-11	APC-203711-200	74218-38304
D90	Steel .079" 4.680" id 16T underdrive clutch (B1)	3	05-11	35691-22020	74218-38404
D91	Friction .072" 5.749" od 40T underdrive clutch (B1)	3	05-11	35681-22010	74218-36304
D93	Friction .061" 4.860" od 35T overdrive clutch (B2)	4	05-11	35682-22010	74218-36704
D94	Steel .079" 4.092" id 13T overdrive clutch (B2)	3	05-11	35692-22010	74218-38604
F96	Friction .061" 4.880" od 42T low/reverse clutch (B4)	5	05-11	35684-22010	74218-37104
F97	Steel .070" 4.330" id 16T low/reverse clutch (B4)	4	05-11	35694-22010	74218-39004
PRESSURE PLATES					
A100	Pressure plate direct clutch (C2)	1	05-11	AE	74218-41103
B101	Pressure plate reverse clutch (C3)	1	05-11	AE	74218-41303
B103	Pressure plate (apply) reverse clutch (C3)	1	05-11	AE	74218-41403
B104	Pressure plate coast clutch (C4)	1	05-11	AE	74218-41503
B105	Pressure plate forward clutch (C1)	1	05-11	AE	74218-41603
C107	Pressure plate intermediate clutch (B3)	1	05-11	AE	74218-41903
D110	Pressure plate underdrive clutch (B1)	1	05-11	AE	74218-42303

ILL	DESCRIPTION		QTY	YEAR	REFERENCE #	PART #
PRESSURE PLATES (CONTINUED)						
D112	Pressure plate	overdrive clutch (B2)	1	05-11	AE	74218-42603
F114	Pressure plate	reverse clutch (B4)	1	05-11	AE	74218-43003
F116	Pressure plate (apply)	reverse clutch (B4)	1	05-11	AE	74218-43203
FILTERS						
K9	Kit, filter (cork/rubber)	A960E	1	05-11	AE	74218-43504
K9	Kit, filter (Duraprene®)	A960E	1	05-11	AE	74218-44004
G120	Filter	A960E	1	05-11	n/a	74218-45004
BUSHINGS						
A125	Bushing	pump body	1	05-11	n/a	46001
WASHERS/BEARINGS/RACES/SHIMS						
A155	Race, thrust	stator to reverse housing	1	05-11	n/a	74218-56204
A156	Bearing, thrust	stator to reverse housing	1	05-11	n/a	74218-56304
B160	Bearing, thrust	forward housing to direct housing	1	05-11	n/a	74218-56604
B161	Bearing, thrust	forward housing to direct housing	1	05-11	n/a	74218-56704
C163	Washer, thrust	coast clutch hub to f4 sprag	1	05-11	n/a	74218-56904
C164	Race, thrust	hub to shell	1	05-11	n/a	74218-57104
C165	Bearing, thrust	hub to shell	1	05-11	n/a	74218-57304
C166	Washer, thrust	hub to F4 sprag	1	05-11	n/a	74218-57404
C168	Bearing, thrust	shell to reverse hub	1	05-11	n/a	74218-57504
C169	Washer, thrust	reverse hub to F2 sprag	1	05-11	n/a	74218-57704
C170	Washer, thrust	F2 sprag to F1 sprag	1	05-11	n/a	74218-57704
D172	Washer, thrust	F1 sprag to B1 hub	1	05-11	n/a	74218-57904
E175	Race, thrust	front planetary to sun gear	1	05-11	n/a	74218-58104
E176	Bearing, thrust	front planetary to sun gear	1	05-11	n/a	74218-58204
E177	Washer, thrust	front planetary to hub	1	05-11	n/a	74218-58304
E180	Bearing, thrust	middle planetary to ring gear hub	1	05-11	n/a	74218-58504
E181	Washer, thrust	middle planetary to ring gear hub	1	05-11	n/a	74218-58604
E184	Race, thrust	rear hub to intermediate shaft	1	05-11	n/a	74218-58704
E185	Bearing, thrust	rear hub to intermediate shaft	1	05-11	n/a	74218-58804
E186	Race, thrust	rear hub to intermediate shaft	1	05-11	n/a	74218-58904
F188	Race, thrust	rear planetary to sun gear	4	05-11	n/a	74218-59204
E189	Bearing, thrust	rear planetary to sun gear	1	05-11	n/a	74218-59304
F191	Race, thrust	rear planetary	1	05-11	n/a	74218-59404
F192	Bearing, thrust	rear planetary	1	05-11	n/a	74218-59504
F194	Race, spacer (sleeve)	output shaft	1	05-11	n/a	74218-59604
F195	Bearing, thrust	output shaft	1	05-11	n/a	74218-59704
F196	Race, thrust	output shaft	1	05-11	n/a	74218-59804
G197	Bearing, ball	output shaft	1	05-11	n/a	74218-60504
SNAP RINGS						
A205	Snap ring	reverse retainer	1	05-11	AE	74218-62203
A207	Snap ring	direct retainer	1	05-11	AE	74218-62303
A208	Snap ring	direct clutch pressure plate	1	05-11	AE	74218-62403
B210	Snap ring	reverse clutch pressure plate	1	05-11	AE	74218-62803
B211	Snap ring	reverse piston in housing	1	05-11	AE	74218-63003
B212	Snap ring	coast clutch retainer	1	05-11	AE	74218-63103
B213	Snap ring	coast clutch pressure plate	1	05-11	AE	74218-63203
B214	Snap ring	forward clutch pressure plate	1	05-11	AE	74218-63503
C215	Snap ring	intermediate clutch pressure plate	1	05-11	AE	74218-63603
C216	Snap ring	intermediate clutch piston (B3)	4	05-11	AE	74218-63803
C217	Snap ring	intermediate clutch housing (B3)	1	05-11	AE	74218-64003
D219	Snap ring	underdrive clutch retainer (B1)	1	05-11	AE	74218-64203
D220	Snap ring	underdrive clutch housing (B1)	1	05-11	AE	74218-64503
E223	Snap ring	front ring gear hub	1	05-11	AE	74218-64703

ILL	DESCRIPTION	QTY	YEAR	REFERENCE #	PART #
SNAP RINGS (CONTINUED)					
E224	Snap ring middle ring gear	1	05-11	AE	74218-64803
E226	Snap ring F3 sprag	1	05-11	AE	74218-64903
E227	Snap ring rear ring gear hub	1	05-11	AE	74218-65103
F230	Snap ring low/reverse retainer (B4)	1	05-11	AE	74218-65503
F233	Snap ring output shaft	1	05-11	AE	74218-65703
F234	Snap ring bearing in extension housing	1	05-11	AE	74218-65903
PUMP PARTS AND PUMPS					
A250	Pump assembly A960E	1	05-11	AE	74218-67003
A251	Body, pump w/gears A960E	1	05-11	AE	74218-67503
A252	Gear, pump (inner/outer) A960E	1	05-11	n/a	74218-68104
A253	Stator, pump A960E	1	05-11	AE	74218-68503
HARD PARTS					
A255	Retainer, reverse clutch A960E (C3)	1	05-11	AE	74218-72103
A256	Retainer, w/springs reverse clutch (C3)	1	05-11	AE	74218-72203
A257	Piston, reverse clutch A960E (C3)	1	05-11	AE	74218-72303
A258	Housing, reverse/direct clutch A960E	1	05-11	AE	74218-72603
A259	Piston, direct clutch A960E (C2)	1	05-11	AE	74218-72903
A260	Retainer, w/springs direct clutch (C2)	1	05-11	AE	74218-73003
A261	Retainer, direct clutch A960E (C2)	1	05-11	AE	74218-73103
B262	Spacer, reverse clutch A960E (C2)	1	05-11	AE	74218-73403
B263	Housing, forward clutch w/shaft A960E (C1)	1	05-11	AE	74218-73503
B264	Piston, forward clutch A960E (C1)	1	05-11	AE	74218-73703
B266	Retainer, w/springs coast clutch (C4)	1	05-11	AE	74218-73803
B267	Piston, coast clutch A960E (C4)	1	05-11	AE	74218-73903
C270	Hub, forward clutch A960E (C1)	1	05-11	AE	74218-74203
C273	Shell, drive A960E	1	05-11	AE	74218-74503
C274	Hub, reverse clutch A960E (C3)	1	05-11	AE	74218-74603
C279	Piston, intermediate clutch A960E (B3)	1	05-11	AE	74218-74903
C280	Housing, intermediate clutch A960E (B3)	1	05-11	AE	74218-75003
C283	Hub, underdrive clutch A960E (B1)	1	05-11	AE	74218-75303
D284	Retainer, w/springs underdrive clutch (B1)	1	05-11	AE	74218-75503
D285	Piston, underdrive clutch A960E (B1)	1	05-11	AE	74218-75603
D287	Housing, underdrive clutch A960E (B1)	1	05-11	AE	74218-75703
D288	Retainer, w/springs overdrive clutch (B2)	1	05-11	AE	74218-75803
D289	Piston, overdrive clutch A960E (B2)	1	05-11	AE	74218-75903
D290	Housing, overdrive clutch A960E (B2)	1	05-11	AE	74218-76003
E293	Planetary, front A960E	1	05-11	AE	74218-76203
E295	Gear, front ring A960E	1	05-11	AE	74218-76503
E296	Hub, front ring gear A960E	1	05-11	AE	74218-76803
E297	Gear, middle ring A960E	1	05-11	AE	74218-77003
E299	Planetary, middle A960E	1	05-11	AE	74218-77303
E300	Gear, sun A960E	1	05-11	AE	74218-77603
E302	Race, inner sprag (F3) A960E	1	05-11	AE	74218-77703
E304	Hub, rear ring gear A960E	1	05-11	AE	74218-77803
E305	Gear, rear ring A960E	1	05-11	AE	74218-78003
E307	Shaft, intermediate A960E	1	05-11	AE	74218-78303
F310	Shaft, output w/planetary A960E (w/slip on yoke)	1	05-11	AE	74218-78603
F310	Shaft, output w/planetary A960E (w/bolt on yoke)	1	05-11	AE	74218-78703
F311	Spacer, low/reverse clutch A960E (B4)	1	05-11	AE	74218-78803
F313	Retainer, w/springs low/reverse clutch (B4)	1	05-11	AE	74218-78903
F314	Piston, low/reverse clutch (outer) A960E (B4)	1	05-11	AE	74218-79003
F315	Piston, low/reverse clutch (middle) A960E (B4)	1	05-11	AE	74218-79103
E317	Piston, low/reverse clutch (inner) A960E (B4)	1	05-11	AE	74218-79203

A960E•960

A960E

ILL	DESCRIPTION	A960E	QTY	YEAR	REFERENCE #	PART #
HARD PARTS (CONTINUED)						
G320	Housing, front	A960E	2	05-11	AE	74218-80103
G321	Pan, bottom	A960E	1	05-11	AE	74218-80503
G324	Housing, main case	A960E	2	05-11	AE	74218-81003
G327	Shaft, shift	A960E	1	05-11	AE	74218-81603
G332	Spring, park pawl	A960E	1	05-11	AE	74218-82003
G333	Pin, park pawl	A960E	1	05-11	AE	74218-82103
G335	Pawl, park	A960E	1	05-11	AE	74218-82203
G336	Rod, park	A960E	1	05-11	AE	74218-82303
G340	Housing, extension	A960E (w/slip on yoke)	1	05-11	AE	74218-83103
G340	Housing, extension	A960E (bolt on yoke)	1	05-11	AE	74218-83204
G341	Yoke, rear	A960E	1	05-11	AE	74218-83503
G360	Cooler, transmission oil	A960E	1	05-11	AE	74218-83603
G363	Valve body w/solenoids	A960E	1	05-11	AE	74218-84003
ELECTRICAL COMPONENTS						
G380	Solenoid, shift	(S3)	1	05-11	n/a	74218-85504
G381	Solenoid, shift	(S2)	1	05-11	n/a	74218-85604
G382	Solenoid, shift	(S4)	1	05-11	n/a	74218-85704
G383	Solenoid, shift	(S1)	1	05-11	n/a	74218-85804
G384	Solenoid, shift	(SR)	1	05-11	n/a	74218-85904
G385	Solenoid, shift	(SL1)	1	05-11	n/a	74218-86004
G386	Solenoid, shift	(SLT)	1	05-11	n/a	74218-86104
G388	Solenoid, shift	(SL2)	1	05-11	n/a	74218-86204
G389	Solenoid, shift	(SLU)	1	05-11	n/a	74218-86304
G390	Sensor, turbine speed (TSS)	A960E	1	05-11	n/a	74218-86504
G391	Sensor, vehicle speed (VSS)	A960E	1	05-11	n/a	74218-86604
G392	Switch, MLPS (neutral start)	A960E	1	05-11	n/a	74218-86704
G395	Harness, wiring (internal)	A960E	1	05-11	n/a	74218-87004
SPRAGS						
C401	Sprag, F4	A960E	1	05-11	n/a	74218-94004
C401	Sprag, F4	A960E	1	05-11	AE	74218-94003
C403	Sprag, F2	A960E	1	05-11	n/a	74218-94104
C403	Sprag, F2	A960E	1	05-11	AE	74218-94103
C404	Sprag, F1	A960E	1	05-11	n/a	74218-94204
C404	Sprag, F1	A960E	1	05-11	AE	74218-94203
E406	Sprag, F3	A960E	1	05-11	n/a	74218-94304
E406	Sprag, F3	A960E	1	05-11	AE	74218-94303
BONDED PISTONS						
B415	Piston, bonded rubber	coast clutch	1	05-11	n/a	74218-96504
NOTES						



Automatic Transmission Parts Replacement Catalog

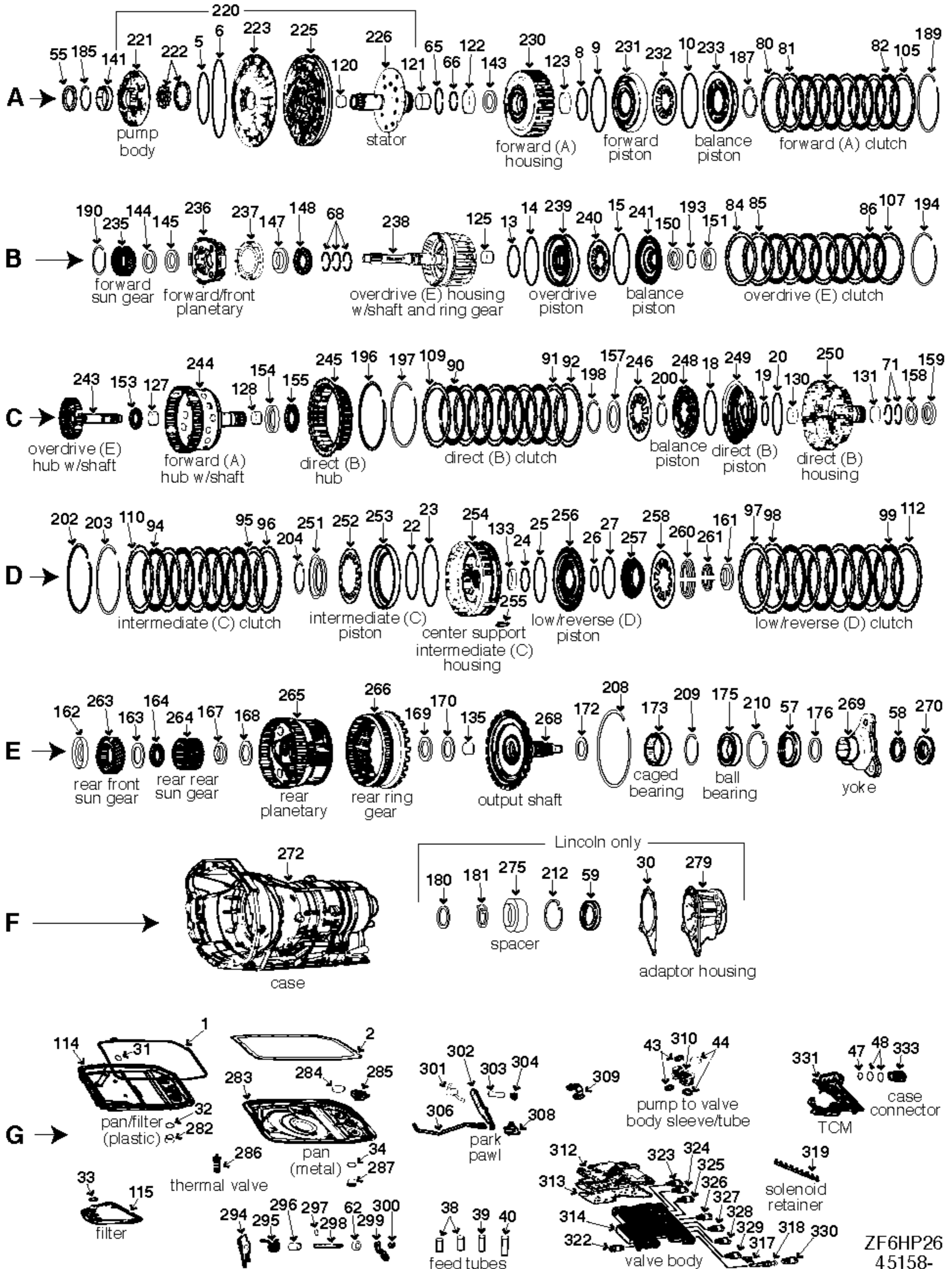
Limited Warranty

All products supplied are guaranteed to be free from manufacturing defects for 1 year or 12,000 miles, whichever comes first. Any and all parts claimed to be defective must be returned freight prepaid for inspection. Warranty is limited to the replacement of parts only. We will not honor claims for labor or other damages that may occur.

This warranty does not apply to any product that has been misused, altered in any way, or subjected to excessive operating conditions beyond the manufacturer's control, specifications, or instructions. All returns must have prior company approval and authorization.

Important Notice

While the utmost care has been used in compiling reliable information in this catalog, we cannot assume any responsibility for errors, omissions, the inaccuracy of data or misapplications supplied to us. All parts shown within are intended for replacement purposes only. The use of original equipment manufacturer's part number and terminology is solely for the purpose of clarification and to help simplify selection for the proper replacement part.



ZF6HP26
45158-

ILL	DESCRIPTION	QTY	YEAR	REFERENCE #	PART #	
TECHNICAL MANUALS						
K53	Tech manual 6R60/ZF6HP26 dis/assembly	diagnosis & troubleshooting	1	02-11	ZF6HP26TM	010-232
REBUILDER KITS						
K5	Master kit w/steels	w/o bonded separator plate	1	02-11	AE	45158-11104
K6	Master kit w/o steels	w/o bonded separator plate	1	02-11	AE	45158-12104
K7	O/H gasket set w/seals-rings	w/o bonded separator plate	1	02-11	FDB-2496	45158-13104
VALVE BODY KITS						
K15	Kit, valve body repair	ZF6HP26	1	04-11	n/a	15158-17009
K15	Kit, valve body repair	ZF6HP26	1	04-11	n/a	15158-17005
GASKETS AND RUBBER COMPONENTS						
G1	Gasket, oil pan	molded rubber for plastic pan	1	01-10	0501-323-155	45158-20104
G2	Gasket, oil pan (w/molded rubber edge)	ZF6HP26	1	02-11	FDB-B33324	15158-20104
A5	O'ring	pump body	1	02-11	MGW-86154	15158-21004
A6	O'ring	pump plate	1	02-11	6L2Z-7A248-CA	15158-21204
G38	Seal, rubber tube 1.000" length	intermediate housing to valve body	2	02-11	n/a	15158-23504
G39	Seal, rubber tube 1.212" length	intermediate housing to valve body	1	02-11	n/a	15158-23604
G40	Seal, rubber tube 1.565" length	intermediate housing to valve body	1	02-11	n/a	15158-23704
G43	Seal, rubber (small)	VB to sleeve/tube (plastic) to ump	2	02-11	FDB-B33328	15158-23804
G44	Seal, rubber (large)	VB to sleeve/tube (plastic) to ump	2	02-11	FDB-B33327	15158-23904
G47	O'ring	electrical connector to valve body	1	02-11	n/a	15158-24104
G48	O'ring	electrical connector to case	2	02-11	FDB-B16216	15158-24204
n/i	Washer, pump bolt (rubber inner)	ZF6HP26A	14	02-11	n/a	15158-21104
G62	Seal, metal clad	shift shaft	1	02-11	6L2Z-7B498-AA	15158-30604
METAL CLAD SEALS						
A55	Seal, metal clad	front	1	02-11	6L2Z-7A248-AA	15158-30004
E57	Seal, metal clad	extension housing (2WD)	1	02-08	6L2Z-7052-AA	15158-30104
E57	Seal, metal clad	extension housing (2WD)	1	08-11	9L3Z-7052-A	15158-30114
E58	Seal, rubber	yoke (2WD)	1	02-11	6L2Z-7052-A	15158-30804
SEALING RINGS						
K10	Kit, sealing ring	ZF6HP26	1	02-11	FDB-3501	15158-31504
A65	Ring, sealing (metal)	pump stator	1	02-11	6L2Z-7D019-AA	15158-32004
A66	Ring, sealing (metal)	pump stator	1	02-11	6L2Z-7L323-AA	15158-32304
B68	Ring, sealing (plastic)	turbine shaft (overdrive housing)	3	02-11	n/a	15158-33204
B68	Ring, sealing (teflon)	turbine shaft (overdrive housing)	2	02-11	6L2Z-7G091-DA	15158-33304
C71	Ring, sealing (teflon)	direct clutch housing	2	02-11	6L2Z-7D020-CA	15158-33504
CLUTCH PLATES						
A80	Steel .035" 6.450" id 30T (waved plate)	(A) forward clutch	1	02-11	n/a	15158-37704
A81	Steel .118" 6.450" id 30T	(A) forward clutch	4/5	02-11	1068-377-020	15158-37504
A81	Steel .105" 6.450" id 30T	(A) forward clutch	sel	02-11	1068-377-023	15158-38304
A81	Steel .130" 6.450" id 30T	(A) forward clutch	sel	02-11	1068-377-024	15158-38404
A81	Steel .142" 6.450" id 30T	(A) forward clutch	sel	02-11	1068-377-025	15158-38504
A82	Friction .063" 7.370" od 30T	(A) forward clutch	4/5	02-11	1068-277-004	15158-35204
B84	Steel .030" 4.200" id 24T (waved plate)	(E) overdrive clutch	1	02-11	n/a	15158-37804
B85	Steel .118" 4.200" id 24T	(E) overdrive clutch	6/7	02-11	1068-371-030	15158-38004
B85	Steel .095" 4.200" id 24T	(E) overdrive clutch (some models)	6/7	02-11	APC-183703-240	15158-38104
B86	Friction .063" 5.150" od 30T	(E) overdrive clutch	6	02-11	n/a	15158-35604
B86	Friction .079" 5.150" od 30T	(E) overdrive clutch	sel	02-11	APC-183702-200	15158-35704
C90	Friction .087" 7.370" od 30T	(B) direct clutch	4/5	02-11	1068-277-002	15158-35304
C91	Steel .082" 6.450" id 30T	(B) direct clutch	4/5	01-11	1068-377-019	15158-37604
C92	Steel .035" 6.450" id 30T (waved plate)	(B) direct clutch	1	02-11	n/a	15158-37704
D94	Friction .087" 7.370" od 30T	(C) intermediate clutch	4/5	02-11	1068-277-002	15158-35304
D95	Steel .118" 6.450" id 30T	(C) intermediate clutch	4/5	02-11	1068-377-020	15158-37504
D96	Steel .035" 6.450" id 30T (waved plate)	(C) intermediate clutch	1	02-11	n/a	15158-37704
D97	Steel .040" 6.450" id 30T (waved plate)	(D) low/reverse clutch	1	02-11	n/a	15158-37904

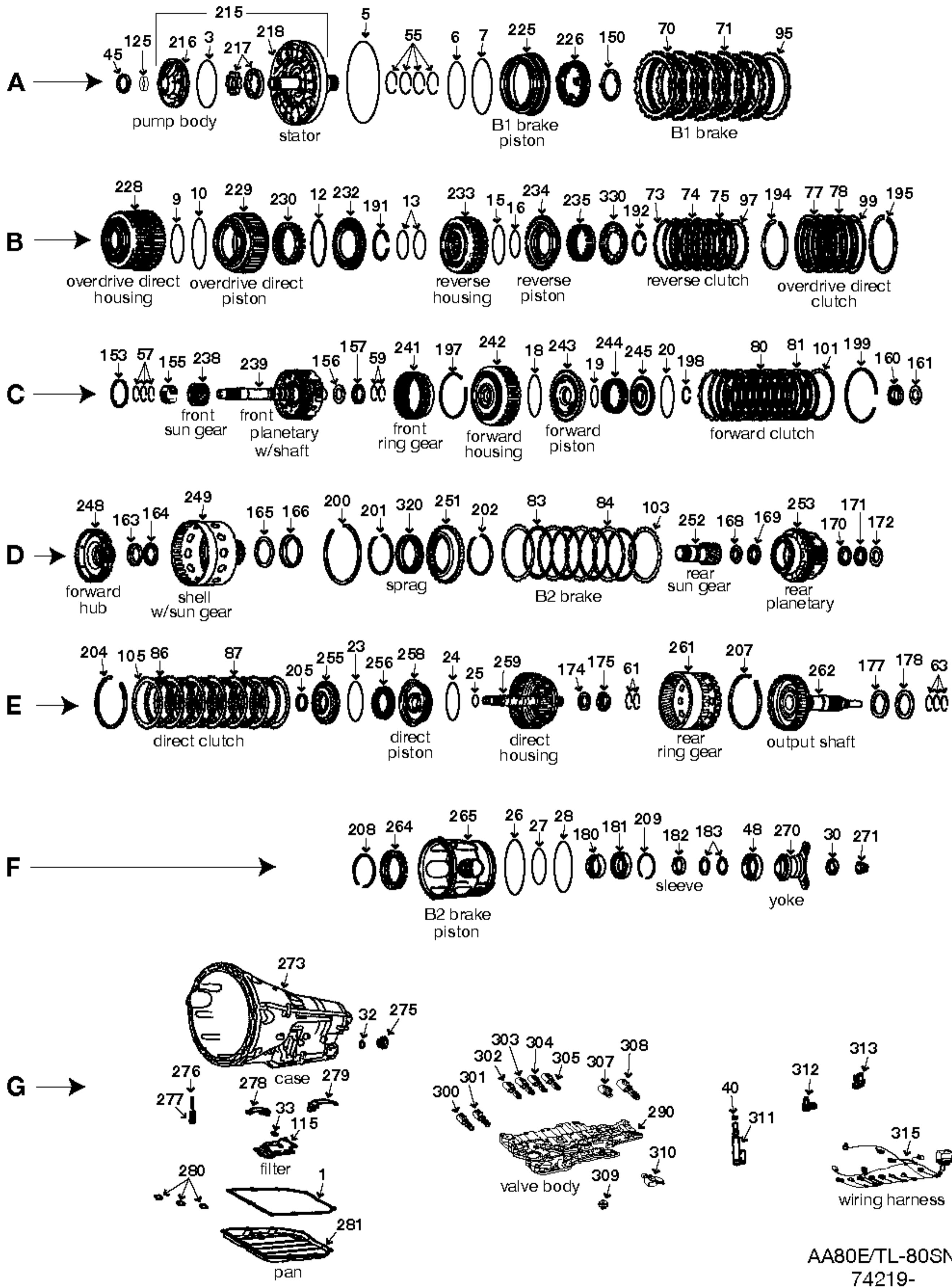
ZF6HP26

ZF6HP26

ILL	DESCRIPTION	QTY	YEAR	REFERENCE #	PART #
CLUTCH PLATES (CONTINUED)					
D98	Steel .082" 6.450" id 30T (D) low/reverse clutch	6/7	02-11	1068-377-019	15158-37604
D98	Steel .095" 6.450" id 30T (D) low/reverse clutch	sel	02-11	1068-377-022	15158-38204
D99	Friction .063" 7.370" od 30T (D) low/reverse clutch	6/7	02-11	1068-277-004	15158-35204
PRESSURE PLATES					
A105	Pressure plate .105" 6.450" id 30T (A) forward clutch	1	02-11	AE	15158-41103
B107	Pressure plate .118" 4.200" id 24T/24 tabs (E) overdrive clutch	1	02-11	AE	15158-41603
C109	Pressure plate .152" 6.450" 30T/30 tabs (B) direct clutch	1	02-11	AE	15158-42003
D110	Pressure plate 30T (C) intermediate clutch	1	02-11	AE	15158-42203
D112	Pressure plate .142" 6.450" 30T (D) low reverse clutch	1	02-11	AE	15158-43003
D112	Pressure plate .130" 6.450" 30T (D) low reverse clutch	sel	02-11	AE	15158-42303
D112	Pressure plate .095" 6.450" 30T (D) low reverse clutch	sel	02-11	AE	15158-42503
FILTERS					
G115	Filter (6 sided not equal) ZF6HP26	1	01-10	0501-213-359	15158-45104
G114	Filter, oil screen/pan assembly plastic pan w/filter made in it	1	97-04	0501-216-243	45158-45004
BUSHINGS					
K12	Kit, bushing ZF6HP26	1	02-11	n/a	15158-50004
A120	Bushing stator (front)	1	02-11	n/a	15158-50704
A121	Bushing stator (rear)	1	02-11	n/a	15158-50804
A122	Bushing forward housing (front)	1	02-11	n/a	15158-50904
A123	Bushing forward housing (rear)	1	02-11	n/a	15158-51204
B125	Bushing overdrive housing (rear)	1	02-11	n/a	15158-51404
C127	Bushing forward hub (front)	1	02-11	n/a	15158-51604
C128	Bushing forward hub (rear)	1	02-11	n/a	15158-51604
C130	Bushing direct housing (front)	1	02-11	n/a	15158-52204
C131	Bushing direct housing (rear)	1	02-11	n/a	15158-52204
D133	Bushing intermediate clutch housing (center)	1	02-11	n/a	15158-52304
E135	Bushing output shaft (front)	1	02-11	n/a	15158-52504
WASHERS/BEARINGS/RACES/SHIMS					
K12	Kit, thrust bearing ZF6HP26	1	02-11	n/a	15158-55104
A141	Bearing, caged pump body	1	02-11	n/a	15158-56104
A143	Spacer, shim .133" 1.596" id 1.928" od pump stator to front sun gear	sel	02-11	n/a	15158-56204
B144	Bearing, thrust .161" 1.381" id 2.037" od sun gear to race	1	02-11	n/a	15158-56504
B145	Race, thrust .038" 1.303" id 1.905" od bearing to forward planetary	1	02-11	n/a	15158-56604
B147	Race, thrust .030" 1.367" id 1.904" od forward planetary to bearing	1	02-11	n/a	15158-57004
B148	Bearing, thrust .161" 1.381" id 2.037" od race to overdrive housing	1	02-11	n/a	15158-56504
B150	Washer (retainer) .043" 1.38" id 1.702" od od bal piston to snap ring	1	02-11	n/a	15158-57504
B151	Bearing, thrust .185" .834" id 1.504" od overdrive housing to od hub	1	02-11	n/a	15158-57804
C153	Bearing, thrust .161" 1.381" id 2.037" od overdrive hub to forward hub	1	02-11	n/a	15158-56504
C154	Race .038" 1.441" id 2.209" od forward hub to bearing	1	02-11	n/a	15158-58304
C155	Bearing, thrust .155" 1.384" id 2.254" od race to direct housing	1	02-11	n/a	15158-58504
C157	Washer (retainer) .080" 1.97" id 2.34" od snap ring to diaphragm spring	1	02-11	n/a	15158-58804
C158	Bearing, thrust .135" 1.930" id 2.628" od direct housing to race	1	02-11	n/a	15158-59004
C159	Race .032" 2.073" id 2.622" od bearing to intermediate housing	1	02-11	n/a	15158-59204
D161	Bearing, thrust .136" 1.860" id 2.670" od intermediate housing to race	1	02-11	n/a	15158-59604
D162	Race .042" 2.003" id 2.819" od bearing to sun gear	1	02-11	n/a	15158-59704
E163	Race .125" 1.380" id 1.970" od rear (front) sun gear to bearing	1	02-11	n/a	15158-60104
E164	Bearing, thrust .0154" 1.342" id 2.046" od race to rear sun gear	1	02-11	n/a	15158-60504
E167	Bearing, thrust .0154" 1.342" id 2.046" od race to rear sun gear	1	02-11	n/a	15158-60504
E168	Race .038" 1.333" id 1.902" od bearing to rear planetary	1	02-11	n/a	15158-60604
E169	Bearing, thrust .155" 1.579" id 2.187" od rear planetary to output shaft	1	02-11	n/a	15158-60904
E170	Race .038" 1.701" id 2.321" od rear planetary to output shaft	1	02-11	n/a	15158-61004
E172	Washer, spacer .071" 1.549" id 2.160" od output shaft yoke (2WD)	1	02-11	sel	15158-61204
E173	Bearing, caged in rear of case	1	02-11	F-233285-1	15158-61504

ILL	DESCRIPTION	QTY	YEAR	REFERENCE #	PART #
WASHERS/BEARINGS/RACES/SHIMS (CONTINUED)					
F180	Washer, spacer .071" 1.549" id 2.160" od	1	02-11	sel	15158-61204
F181	Bearing, thrust .197" 1.565" id 2.315" od	1	02-11	n/a	15158-62004
SNAP RINGS					
A187	Snap ring .056" 3.0" od 4 tabs (true-arc)	1	02-11	AE	15158-62303
A189	Snap ring .155" 7.783" od	1	02-11	AE	15158-62503
B190	Snap ring .038" 2.900" (waved)	1	02-11	AE	15158-62903
B193	Snap ring .095" 1.633" od	1	02-11	AE	15158-63303
B194	Snap ring .083" 5.584" od	1	02-11	AE	15158-63603
C196	Snap ring .099" 7.750" od	1	02-11	AE	15158-63803
C197	Snap ring .138" 7.750" od	1	02-11	AE	15158-64203
C198	Snap ring .056" 2.250" od	1	02-11	AE	15158-64603
C200	Snap ring .096" 2.130" od	1	02-11	AE	15158-64803
D202	Snap ring .181" (beveled both sides)	1	02-11	AE	15158-65103
D203	Snap ring .123" 7.750" od	1	02-11	AE	15158-65403
D204	Snap ring .075" 3.700" od	1	02-11	AE	15158-65703
E208	Snap ring .076" 7.250" od	1	02-11	AE	15158-66003
E209	Snap ring	1	02-11	AE	15158-66203
E210	Snap ring .096" (beveled both sides)	1	02-11	AE	15158-66503
F212	Snap ring .096" (beveled both sides)	1	02-11	AE	15158-66503
PUMP PARTS AND PUMPS					
A220	Pump, assembly (w/o front bushing)	1	02-11	AE	15158-67003
A220	Pump, assembly (w/o front bushing)	1	02-11	AE	15158-67103
A220	Plate, pump	1	02-11	AE	15158-70203
A221	Pump body w/gears	1	02-11	AE	15158-67503
A221	Pump body w/gears	1	02-11	AE	15158-67603
A222	Gears, pump .550" thickness 3.767" od	1	02-11	n/a	15158-68104
A223	Plate, pump	1	02-11	AE	15158-70003
A223	Plate, pump	1	02-11	AE	15158-70103
A223	Plate, pump	1	02-11	AE	15158-70203
A225	Plate, pump channel	1	02-11	AE	15158-70503
A225	Plate, pump channel	1	02-11	AE	15158-70603
A226	Support, pump stator (w/o front bushing)	1	02-11	AE	15158-68403
A226	Support, pump stator (w/o front bushing)	1	02-11	AE	15158-68503
A226	Support, pump stator (w/front bushing)	1	02-11	AE	15158-68603
HARD PARTS					
A230	Housing, forward clutch	1	02-11	AE	15158-72203
A231	Piston, forward clutch 1.485" oh	1	02-11	AE	15158-72503
A231	Piston, forward clutch	1	02-11	AE	15158-72603
A232	Spring, diaphragm .082" 10 fingers	1	02-11	AE	15158-72803
A233	Piston, forward balance	1	02-11	AE	15158-73003
A233	Piston, forward clutch (balance)	1	02-11	AE	15158-73203
B235	Gear, sun forward 2.567" od 37T	1	02-11	AE	15158-73503
B236	Planetary, forward front 3 pinion gears	1	02-11	AE	15158-73703
G236	Planet, forward front 4 pinion gears 16T	1	02-11	Ae	15158-73903
B237	Slinger, oil dam	1	02-11	1070-332-063	15158-74103
B238	Housing, od (w/turbine shaft ring gear)	1	02-11	AE	15158-74503
B238	Housing, od (w/turbine shaft ring gear)	1	02-11	AE	15158-74603
B239	Piston, overdrive clutch 1.340" oh	1	02-11	AE	15158-75003
B240	Spring, diaphragm .079" 10 fingers	1	02-11	AE	15158-75203
B241	Piston, overdrive balance	1	02-11	AE	15158-75403
C243	Hub, overdrive w/shaft	1	02-11	AE	15158-75603
C243	Hub, overdrive w/shaft .925" od 29 splines	1	02-11	AE	15158-75703
C244	Hub, forward clutch w/shaft 1.306" od	1	02-11	AE	15158-75903

ILL	DESCRIPTION	QTY	YEAR	REFERENCE #	PART #	
HARD PARTS (CONTINUED)						
C245	Hub, direct clutch	ZF6HP26	1	02-11	AE	15158-76103
C246	Spring, diaphragm .079" 10 fingers	4.865" od	1	02-11	AE	15158-76503
C248	Piston, balance direct clutch	casting #1068-472-035	1	02-11	AE	15158-76703
C249	Piston, direct clutch	aluminum w/steel retainer (pressed on)	1	02-11	AE	15158-76903
C250	Housing, direct clutch 1.773" od	56 splines	1	02-11	AE	15158-77203
D251	Retainer, intermediate clutch	ZF6HP26	1	02-11	AE	15158-77503
C252	Spring, diaphragm .082" 6.948" od	12 fingers	1	02-11	AE	15158-77803
D253	Piston, intermediate clutch .737" oh	casting #1068-475-014	1	02-11	AE	15158-78003
D253	Piston, intermediate clutch	ZF6HP26	1	02-11	AE	15158-78203
D254	Housing, intermediate clutch	casting #1068-475-014	1	02-11	AE	15158-78503
D254	Housing, intermediate clutch	ZF6HP26	1	02-11	AE	15158-78703
D256	Piston, low/reverse clutch	E stamped on it	1	02-11	AE	15158-79003
D256	Piston, low/reverse clutch	ZF6HP26	1	02-11	AE	15158-79203
D257	Piston, balance low/reverse clutch	casting #1068-473-020	1	02-11	AE	15158-79503
D258	Spring, diaphragm .063" 12 fingers	5.694" od (low/reverse clutch)	1	02-11	AE	15158-79603
D260	Retainer, 2 piece (split type)	low/reverse (large)	1	02-11	AE	15158-79803
D261	Retainer, 2 piece (split type w/2 tabs)	low/reverse (small)	1	02-11	AE	15158-79903
E263	Gear, rear front sun gear 2.877" od 38T	3 id grooves	1	02-11	AE	15158-80103
E264	Gear, rear rear sun gear 2.373" od 31T	bevel to rear	1	02-11	AE	15158-80503
E265	Planetary, rear 23T on split pinions	24T on short pinion gears	1	02-11	AE	15158-81003
E266	Gear, output ring 85T	with 40T exciter	1	02-11	AE	15158-81503
E268	Shaft, output (w/park gear 2WD)	bolt-on yoke	1	02-11	AE	15158-82003
E268	Shaft, output direct mount	w/park gear (AWD)	1	02-11	AE	15158-82303
E268	Shaft, output direct mount 8.750" oh	w/park gear 4WD	1	02-11	AE	15158-82503
E269	Yoke, drive	3 bolt u-joint 2WD	1	02-11	AE	15158-82603
E269	Yoke, drive	4 bolt u-joint 2WD	1	02-11	AE	15158-82703
F275	Spacer, aluminum	4WD/AWD	1	02-11	AE	15158-82803
G283	Pan metal	ZF6HP26	1	02-11	AE	15158-82904
G288	Roll, detent spring	ZF6HP26	1	02-11	AE	15158-83003
G289	Cone, rooster	ZF6HP26	1	02-11	AE	15158-83103
G290	Spacer	manual lever shaft	1	02-11	AE	15158-83203
G291	Pin, roll	rooster cone lock	1	02-11	AE	15158-83304
G292	Shaft, manual lever	ZF6HP26	1	02-11	AE	15158-83404
G301	Spring, park return	ZF6HP26	1	02-11	AE	15158-83903
G302	Pawl, park	ZF6HP26	1	02-11	AE	15158-84003
G303	Pin, park shaft	ZF6HP26	1	02-11	AE	15158-84103
G304	Bolt, park pin	ZF6HP26	1	02-11	AE	15158-84203
G306	Rod, park	ZF6HP26	1	02-11	AE	15158-84303
G308	Bracket, park rod guide	ZF6HP26	1	02-11	AE	15158-84403
G310	Housing seals (plastic)	ZF6HP26 (pump to valve body)	1	02-11	AE	15158-84503
G313	Plate, valve body (bonded)	ZF6HP26	1	06-07	6L2Z-7Z490-A	15158-28804
G313	Plate, valve body (bonded)	# on plate (1068-327-180)	1	01-10	1068-227-052	45158-28904
G313	Plate, valve body (bonded)	# on plate (1068-327-141)	1	01-10	1068-227-035	45158-29004
G313	Plate, valve body (bonded)	# on plate (1068-327-179)	1	01-10	1068-227-051	45158-29104
G313	Plate, valve body (bonded)	# on plate (1068-327-163)	1	01-10	1068-227-047	45158-29204
G313	Plate, valve body (bonded)	# on plate (1068-327-189)	1	01-10	1068-227-053	45158-29304
G314	Valve body w/solenoids	ZF6HP26	1	02-11	AE	45158-84603
ELECTRICAL COMPONENTS						
n/i	Kit, solenoid (7) manual shift	1-black/3-yellow/3-blue	1	02-10	1068-298-044	45158-85004
n/i	Kit, solenoid (7) manual shift	5-yellow/1-black/1-blue	1	02-10	1068-298-045	45158-85104
n/i	Kit, solenoid (9) electric shift	2-green/3-yellow/1-black/3-blue	1	02-10	1068-298-043	45158-85204
G318	Solenoid, park/manual valve	w/electric shift	1	02-10	n/a	45158-88104
G322	Solenoid	MV2 w/electric shift (on opposite side)	1	02-10	n/a	45158-86404



AA80E/TL-80SN
74219-

ILL	DESCRIPTION	QTY	YEAR	REFERENCE #	PART #	
TECHNICAL MANUALS						
K53	Tech manual-cover AA80E dis/assembly	diagnosis & troubleshooting	1	07-11	AA80ETM	010-494
REBUILDER KITS						
K5	Master kit w/steels	w/pistons	1	07-11	n/a	74219-11004
K5	Master kit w/steels	w/o pistons	1	07-11	n/a	74219-11104
K6	Master kit w/o steels	w/pistons	1	07-11	n/a	74219-12004
K6	Master kit w/o steels	w/o pistons	1	07-11	n/a	74219-12104
K7	O/H gasket set w/seals-rings	w/pistons	1	07-11	n/a	74219-13004
K7	O/H gasket set w/seals-rings	w/o pistons	1	07-11	n/a	74219-13104
GASKETS AND RUBBER COMPONENTS						
G1	Gasket, pan	AA80E	1	07-11	n/a	74219-20104
METAL CLAD SEALS						
A45	Seal, metal clad	front	1	07-11	n/a	74219-30104
F48	Seal, metal clad	extension housing	1	07-11	n/a	74219-30504
SEALING RINGS						
K10	Kit, sealing ring	AA80E	1	07-11	n/a	74219-31504
A55	Sealing ring	overdrive direct clutch	4	07-11	n/a	74219-33104
C59	Sealing ring	forward clutch	2	07-11	n/a	74219-33304
E61	Sealing ring	direct clutch	2	07-11	n/a	74219-33504
E63	Sealing ring	output shaft	3	07-11	n/a	74219-33704
CLUTCH PLATES						
A70	Friction	(B1) brake clutch	5	07-11	n/a	74219-35104
A71	Steel	(B1) brake clutch	5	07-11	n/a	74219-37604
B73	Steel, waved	(B1) brake clutch	1	07-11	n/a	74219-40204
B74	Friction	reverse clutch	5	07-11	n/a	74219-35304
B75	Steel	reverse clutch	5	07-11	n/a	74219-37804
B77	Friction	overdrive direct clutch	4	07-11	n/a	74219-35504
B78	Steel	overdrive direct clutch	4	07-11	n/a	74219-38004
C80	Friction	forward clutch	6	07-11	n/a	74219-35704
C81	Steel	forward clutch	6	07-11	n/a	74219-38304
D83	Friction	(B2) brake clutch	4	07-11	n/a	74219-36104
D84	Steel	(B2) brake clutch	4	07-11	n/a	74219-38504
E86	Friction	direct clutch	6	07-11	n/a	74219-36304
E87	Steel	direct clutch	6	07-11	n/a	74219-38904
PRESSURE PLATES						
A95	Pressure plate	(B1) brake clutch	1	07-11	AE	74219-41203
B97	Pressure plate	reverse clutch	1	07-11	AE	74219-41503
B99	Pressure plate	overdrive direct clutch	1	07-11	AE	74219-41703
C101	Pressure plate	forward clutch	1	07-11	AE	74219-41903
D103	Pressure plate	(B2) brake clutch	1	07-11	AE	74219-42103
E105	Pressure plate	direct clutch	1	07-11	AE	74219-42303
FILTERS						
K9	Kit, filter	AA80E	1	07-11	AE	74219-44504
G115	Filter	AA80E	1	07-11	n/a	74219-45004
BUSHINGS						
A125	Bushing	pump body	1	07-11	n/a	74219-50604
WASHERS/BEARINGS/RACES/SHIMS						
A150	Washer, thrust	stator to overdrive direct housing	1	07-11	n/a	74219-56504
C153	Washer, thrust	front planetary to housing	1	07-11	n/a	74219-57004
C155	Bearing, caged (split)	front sun gear	1	07-11	n/a	74219-57104
C156	Bearing, thrust	front planetary to housing	1	07-11	n/a	74219-57204
C157	Race, thrust	front planetary to housing	1	07-11	n/a	74219-57304
C160	Race, thrust	forward housing to hub	1	07-11	n/a	74219-57604
C161	Bearing, thrust	forward housing to hub	1	07-11	n/a	74219-57704

ILL	DESCRIPTION		QTY	YEAR	REFERENCE #	PART #
WASHERS/BEARINGS/RACES/SHIMS (CONTINUED)						
D163	Race, thrust	forward hub to drive shell	1	07-11	n/a	74219-57904
D164	Bearing, thrust	forward hub to drive shell	1	07-11	n/a	74219-58004
D165	Bearing, thrust	drive shell to inner race	1	07-11	n/a	74219-58204
D166	Race, thrust	drive shell to inner race	1	07-11	n/a	74219-58304
D168	Race, thrust	rear sun gear to rear planetary	1	07-11	n/a	74219-58604
D169	Bearing, thrust	rear sun gear to rear planetary	1	07-11	n/a	74219-58704
D170	Race, thrust	rear planetary to direct housing	1	07-11	n/a	74219-58904
D171	Bearing, thrust	rear planetary to direct housing	1	07-11	n/a	74219-59004
D172	Race, thrust	rear planetary to direct housing	1	07-11	n/a	74219-59104
E174	Bearing, thrust	direct housing to output shaft	1	07-11	n/a	74219-59504
E175	Race, thrust	direct housing to output shaft	1	07-11	n/a	74219-59604
E177	Bearing, thrust	output shaft to case	1	07-11	n/a	74219-60104
E178	Race, thrust	output shaft to case	1	07-11	n/a	74219-60204
F180	Bearing, caged	output shaft support	1	07-11	n/a	74219-60405
F181	Bearing, ball	output shaft	1	07-11	n/a	74219-60504
F182	Spacer, sleeve	output shaft	1	07-11	n/a	74219-60704
F183	Washer, shim	output shaft	2	07-11	n/a	74219-60904
SNAP RINGS						
B191	Snap ring	overdrive direct retainer	1	07-11	AE	74219-62503
B192	Snap ring	reverse clutch retainer	1	07-11	AE	74219-62703
B194	Snap ring	reverse clutch pressure plate	1	07-11	AE	74219-63003
B195	Snap ring	overdrive direct pressure plate	1	07-11	AE	74219-63203
C197	Snap ring	front ring gear	1	07-11	AE	74219-63503
C198	Snap ring	forward clutch retainer	1	07-11	AE	74219-63803
C199	Snap ring	forward clutch pressure plate	1	07-11	AE	74219-64003
D200	Snap ring	outer sprag in case	1	07-11	AE	74219-64303
D201	Snap ring	sprag in outer race	1	07-11	AE	74219-64503
D202	Snap ring	sprag in outer race	1	07-11	AE	74219-64503
E204	Snap ring	direct clutch pressure plate	1	07-11	AE	74219-64603
E205	Snap ring	direct clutch retainer	1	07-11	AE	74219-64803
E207	Snap ring	rear ring gear	1	07-11	AE	74219-65003
F208	Snap ring	B2 brake retainer	1	07-11	AE	74219-65203
F209	Snap ring	rear bearing	1	07-11	AE	74219-65503
PUMP PARTS AND PUMPS						
A215	Pump assembly	AA80E	1	07-10	AE	74219-67003
A216	Body, pump w/gears	AA80E	1	07-10	AE	74219-67503
A217	Gears, pump (inner/outer)	AA80E	1	07-10	n/a	74219-68104
A218	Stator, pump (support)	AA80E	1	07-10	AE	74219-68503
HARD PARTS						
A225	Piston, B1 brake clutch (balance)	AA80E	1	07-11	AE	74219-72303
A226	Retainer, w/springs	B1 brake clutch (balance)	1	07-11	AE	74219-72503
B228	Housing, overdrive/direct	AA80E	1	07-11	AE	74219-73103
B229	Piston, overdrive/direct	AA80E	1	07-11	AE	74219-73503
B230	Retainer, w/springs	overdrive/direct clutch	1	07-11	AE	74219-73703
B232	Piston, overdrive/direct (balance)	overdrive/direct clutch	1	07-11	AE	74219-73903
B233	Housing, reverse	AA80E	1	07-11	AE	74219-74203
B234	Piston, reverse clutch	AA80E	1	07-11	AE	74219-74503
B235	Retainer, w/springs	reverse clutch	1	07-11	AE	74219-74603
C238	Gear, front sun	AA80E	1	07-11	AE	74219-75003
C239	Planetary, front w/shaft	AA80E	1	07-11	AE	74219-75303
C241	Gear, front ring	AA80E	1	07-11	AE	74219-75603
C242	Housing, forward clutch	AA80E	1	07-11	AE	74219-75903
C243	Piston, forward clutch	AA80E	1	07-11	AE	74219-76203

ZF4HP16

ZF4HP16

ILL	DESCRIPTION	QTY	YEAR	REFERENCE #	PART #
REBUILDER KITS					
K7	O/H gasket set w/seals-rings	1	04-07	n/a	93235-13004
NOTES					

AF40•AF40-6

AF40•AF40-6

ILL	DESCRIPTION	QTY	YEAR	REFERENCE #	PART #
REBUILDER KITS					
K5	Master kit w/steels TF-80SC/AF40-6	1	06-09	AE	10251-11004
K5	Master kit w/steels TF-80SC/AF40-6	1	06-09	AE	10251-11104
K6	Master kit w/o steels TF-80SC/AF40-6	1	06-09	AE	10251-12004
K6	Master kit w/o steels TF-80SC/AF40-6	1	06-09	AE	10251-12104
K7	O/H gasket set w/seals-rings TF-80SC/AF40-6	1	06-09	AE	10251-13004
K7	O/H gasket set w/seals-rings TF-80SC/AF40-6	1	06-09	AE	10251-13104
GASKETS AND RUBBER COMPONENTS					
n/i	Gasket, oil pan TF-80SC/AF40 (Farpak®) side cover	1	06-09	B11527	97251-19104
METAL CLAD SEALS					
n/i	Seal, metal clad front	1	06-09	B37082	75250-30004
SEALING RINGS					
K10	Kit, sealing ring AF40/AF40-6	1	06-09	n/a	75250-31504
CLUTCH PLATES					
n/i	Steel .091" 5.557" id 36T (sets of 2) C3 (reverse/3rd/5th clutch)	4	06-09	197705-230	97251-37504
n/i	Friction .067" 6.523" od 54T C3 (reverse/3rd/5th clutch)	4	06-09	197704-170	97251-35104
n/i	Friction .067" 6.186" od 54T C1 (1st/2nd/3rd/4th clutch)	6	06-09	197700-170	97251-35204
n/i	Steel .071" 5.558" id 40T C1 (1st/2nd/3rd/4th clutch)	6	06-09	197701-180	97251-37604
n/i	Friction .067" 6.293" od 55T C2 (4th/5th/6th clutch)	3	06-09	197702-170	97251-35304
n/i	Steel .071" 5.637" id 36T C2 (4th/5th/6th clutch)	3	06-09	197703-180	97251-37704
n/i	Friction .067" 7.306" od 60T B2 (reverse/1st engine brake clutch)	5	06-09	197706-170	97251-35404
n/i	Steel .071" 6.811" id 14T (sets of 2) B2 (reverse/1st engine brake clutch)	5	06-09	197707-180	97251-37804
PRESSURE PLATES					
n/i	Pressure plate 36T (stepped) C3 (reverse/3rd/5th clutch)	1	06-09	AE	97251-41103
n/i	Pressure plate 40T (stepped) C1 (1st/2nd/3rd/4th clutch)	1	06-09	AE	97251-41503
n/i	Pressure plate 36T (stepped) C2 (4th/5th/6th clutch)	1	06-09	AE	97251-42003
n/i	Pressure plate 14T (backing)(sets of 2) B2 (reverse/1st engine brake)	1	06-09	AE	97251-42503
n/i	Pressure plate 14T (apply)(sets of 2) B2 (reverse/1st engine brake)	1	06-09	AE	97251-43003
FILTERS					
n/i	Filter TF-80SC/AF40	1	06-09	n/a	97251-45004
BANDS					
n/i	Band AF40/AF40-6	1	06-09	n/a	75250-47504
SNAP RINGS					
n/i	Snap ring pressure plate to housing	1	06-09	19250	97251-62403
n/i	Snap ring spring retainer	1	06-07	19251	97251-62503
NOTES					

ILL	DESCRIPTION	QTY	YEAR	REFERENCE #	PART #
REBUILDER KITS					
K7	O/H gasket set w/seals-rings ECVT AWD/FWD	1	07-10	n/a	74241-13104
NOTES					

CVT-L110

Check out this rebuilding tool.

It's convenient, informative and free!

New! Online Catalog



Technical Inserts

Inside TransTec® kits you'll find technical literature with illustrations that simplify rebuilding transmissions.



Technical Bulletins

Written by transmission professionals for transmission professionals to clear up confusion and simplify rebuilding complex transmissions.

Online Transmission Catalog Now Available!

Check out the online version of the TransTec® transmission catalog. You'll find the latest kits and components with daily updates.



Includes Global Applications



Transmission Guide

This convenient reference, now available on-line, makes it easy to determine which automatic transmission is in a specific domestic or import vehicle.



New Product Announcements

advise of the latest developments in rebuilding.

www.TransTec.com

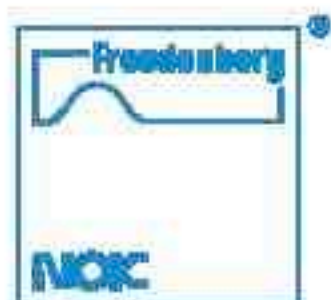
Visit www.TransTec.com and you'll find feature-rich resources like our new Online Transmission Catalog with the latest kits and components, technical information organized by transmission, a Transmission-by-Vehicle Guide, New Product Announcements, Technical Bulletins and more. The days of searching through piles of papers and manuals are a thing of the past.

Simply click on the type of reference material you want and view them on screen or download them for printing.

So take a close look at www.TransTec.com and see what we have to offer. You'll find this convenient, informative tool is indispensable.

TRANstec®

We make it Easy.



T: 419.499.2502 • F: 419.499.2804 • www.TransTec.com • Milan, OH 44846



A Division of Freudenberg-NOK